



US00D352791S

United States Patent [19]

Manaras

[11] Patent Number: **Des. 352,791**

[45] Date of Patent: **** Nov. 22, 1994**

[54] **BASEBOARD MOLDING**

[76] Inventor: **George Manaras**, 1194 Tecumseh,
Dollard-des-Ormeaux, Quebec,
Canada H9B 2Y9

[**] Term: **14 Years**

[21] Appl. No.: **939,887**

[22] Filed: **Sep. 8, 1992**

[30] **Foreign Application Priority Data**

Mar. 5, 1992 [CA] Canada 05-03-92-9

[52] U.S. Cl. **D25/136; D25/119**

[58] Field of Search 52/290, 287.1-288.1;
D25/136, 119, 55, 58

[56] **References Cited**

U.S. PATENT DOCUMENTS

D. 329,707	9/1992	Embree et al.	D25/119
2,149,742	3/1939	Miller	D25/119
3,422,584	1/1969	Howard	D25/136
3,676,974	7/1972	Daly	52/287.1
4,109,434	8/1978	Katzin	52/288.1

4,520,605	6/1985	Budd	D25/119
4,622,791	11/1986	Cook et al.	52/288.1

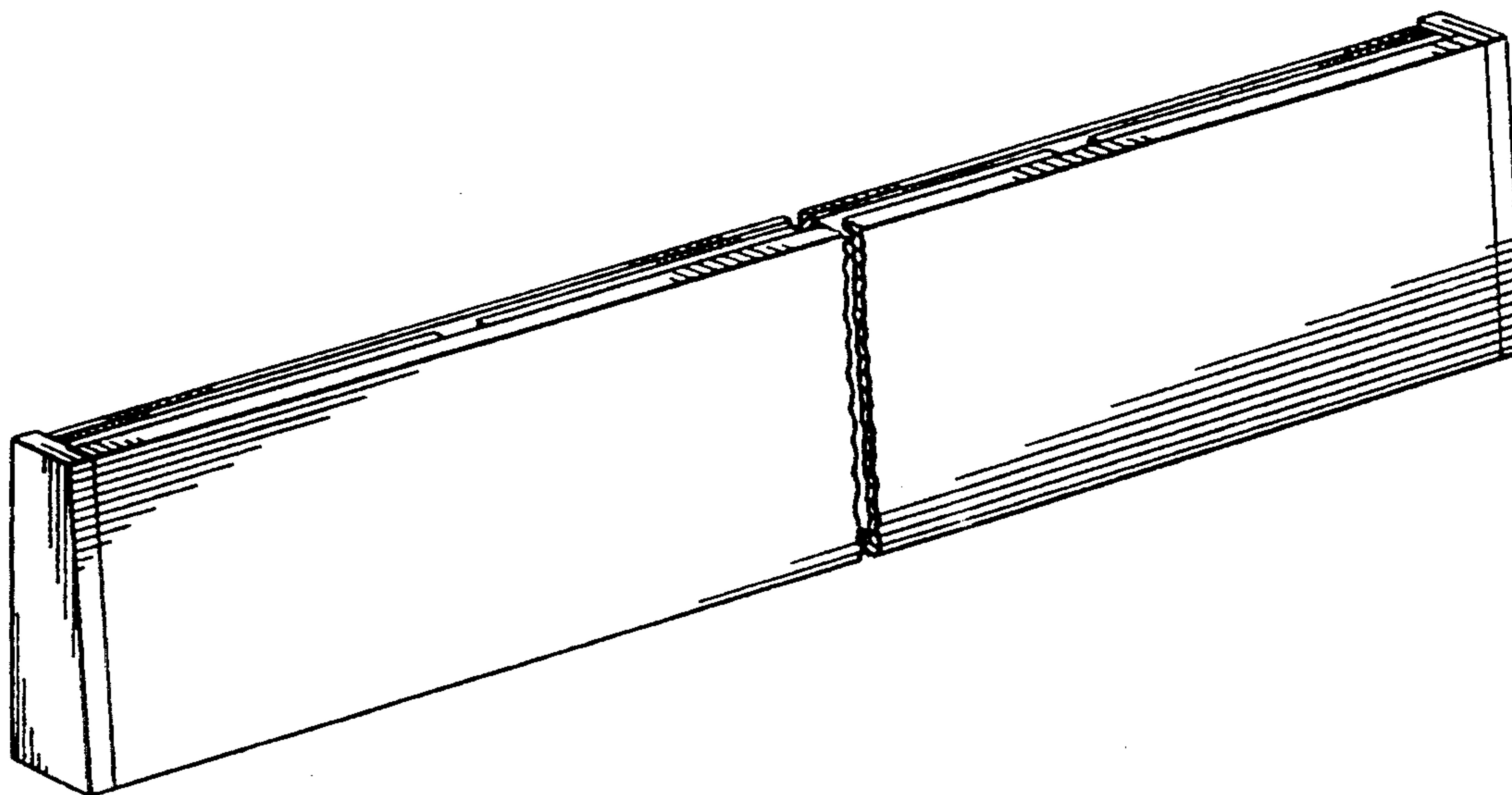
Primary Examiner—A. Hugo Word
Assistant Examiner—Doris Clark
Attorney, Agent, or Firm—Swabey Ogilvy Renault

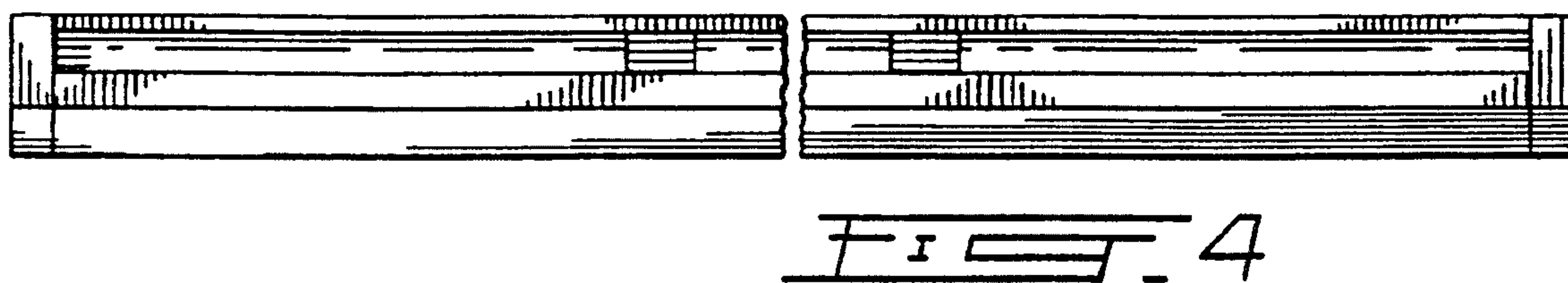
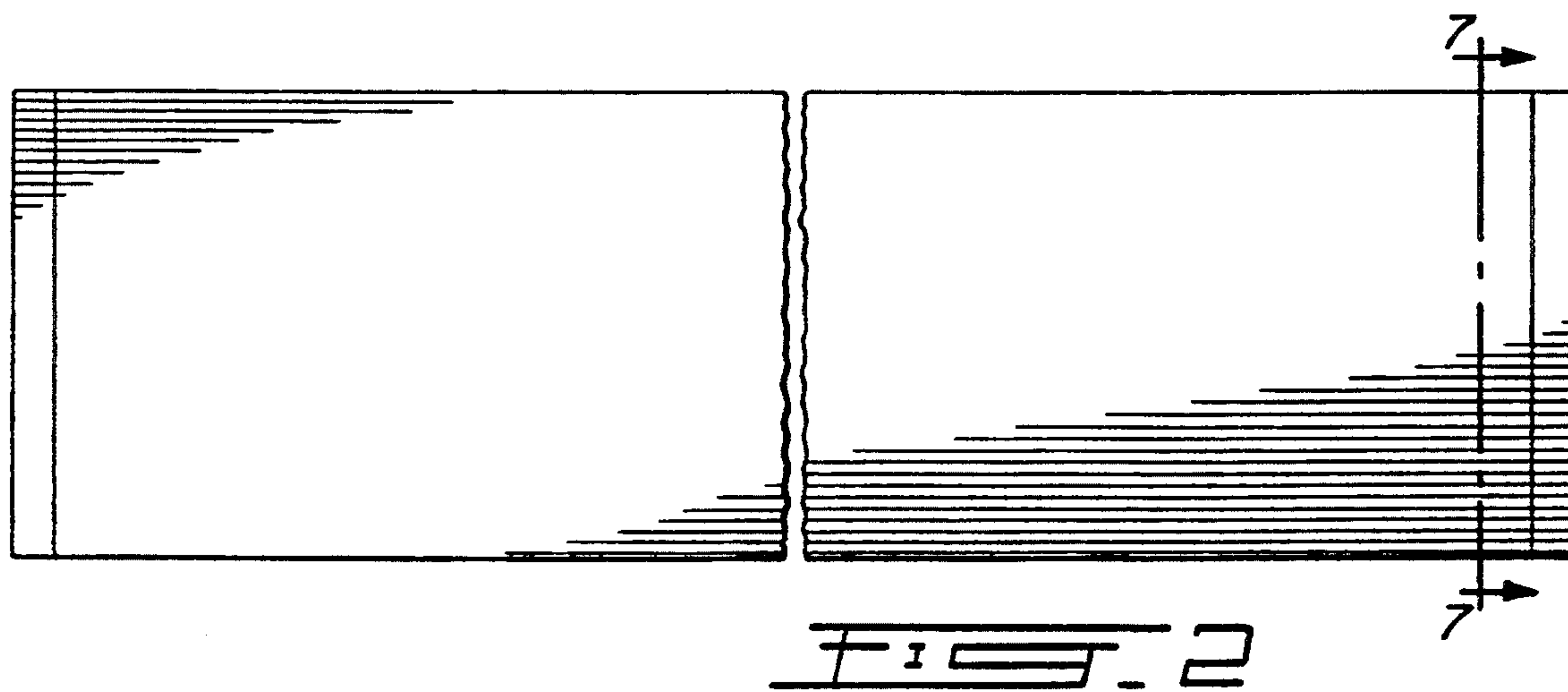
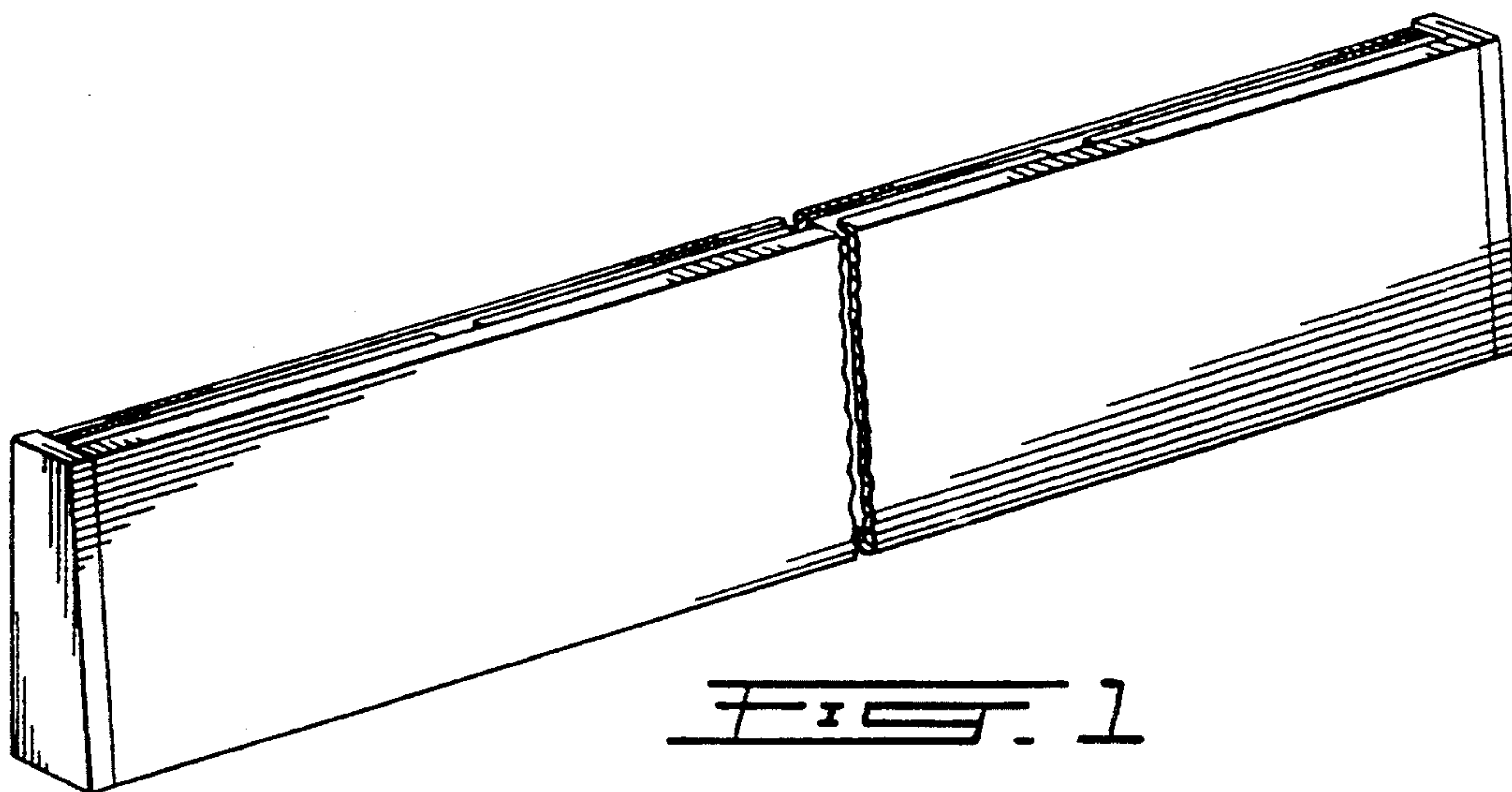
[57] **CLAIM**

The ornamental design for a basement molding, as shown and described.

DESCRIPTION

FIG. 1 is a perspective view of the baseboard molding showing my new design;
FIG. 2 is a front elevational view thereof;
FIG. 3 is a rear elevational view thereof;
FIG. 4 is a top plan view thereof;
FIG. 5 is a bottom plan view thereof;
FIG. 6 is a side elevational view thereof, the opposite view being identical; and,
FIG. 7 is a vertical cross-sectional view thereof taken along line 7—7 of FIG. 1.
The baseboard molding has been broken away in the center to indicate indeterminate length.





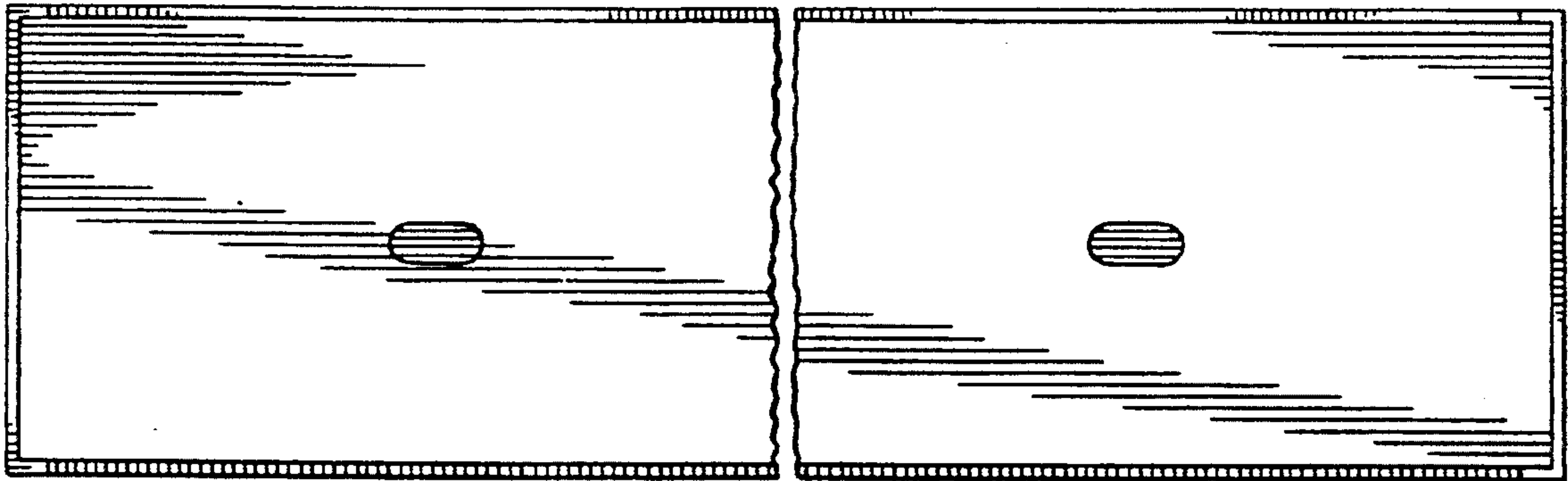


FIG. 3

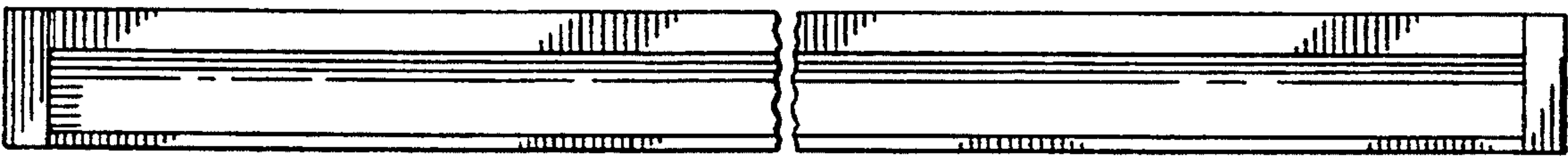


FIG. 5

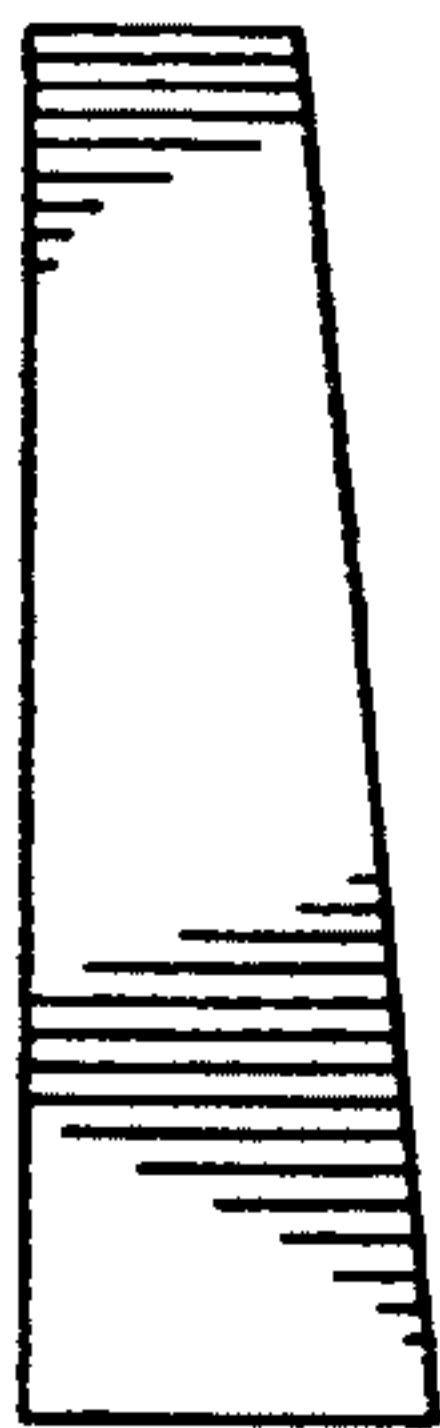


FIG. 6

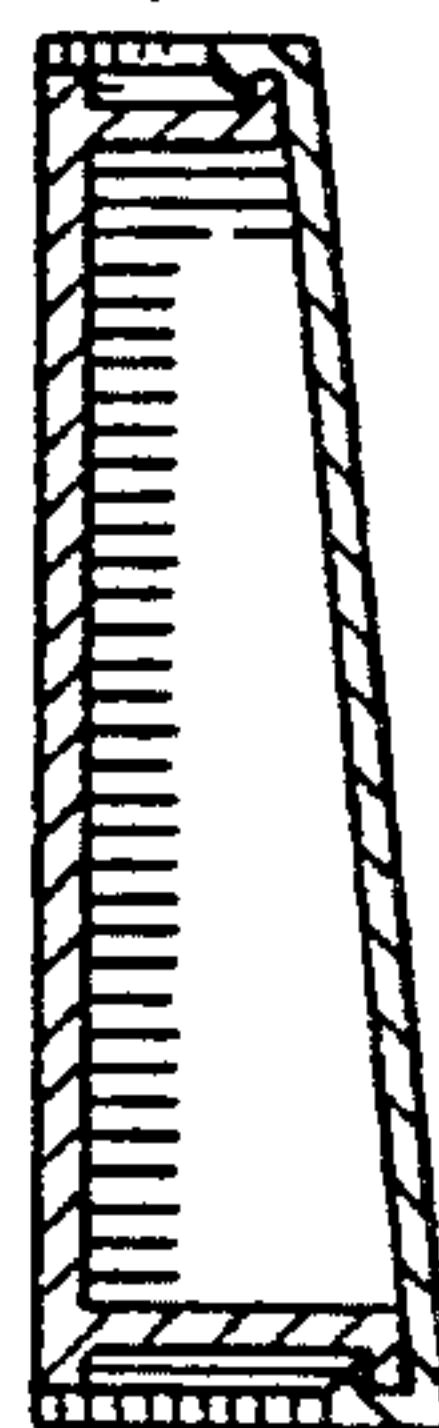


FIG. 7