



US00D352778S

United States Patent [19]

[11] Patent Number: **Des. 352,778**

Irvin et al.

[45] Date of Patent: **** Nov. 22, 1994**

[54] **MULTICHANNEL INFUSION PUMP FOR SEQUENCING IV FLUIDS TO A PATIENT**

[75] Inventors: **Ronald D. Irvin, Agoura, Calif.; Richard A. Sorich, Eden Prairie, Minn.**

[73] Assignee: **IMED Corporation, San Diego, Calif.**

[**] Term: **14 Years**

[21] Appl. No.: **8,104**

[22] Filed: **May 5, 1993**

[52] U.S. Cl. **D24/111**

[58] Field of Search 128/DIG. 12, DIG. 13; 604/153, 154, 151, 152, 250, 253; 417/474, 477, 411, 234; D24/111, 108

[56] **References Cited**

U.S. PATENT DOCUMENTS

- D. 280,928 10/1985 Nelson D24/111
- D. 285,347 8/1986 Nelson et al. D24/111

- D. 305,060 12/1989 Bisha et al. D24/111
- D. 306,758 3/1990 Stanley D24/111
- D. 312,879 12/1990 Aten D24/111
- 4,525,163 6/1985 Slavik et al. 128/DIG. 12 X
- 4,673,390 6/1987 Archibald 604/250 X

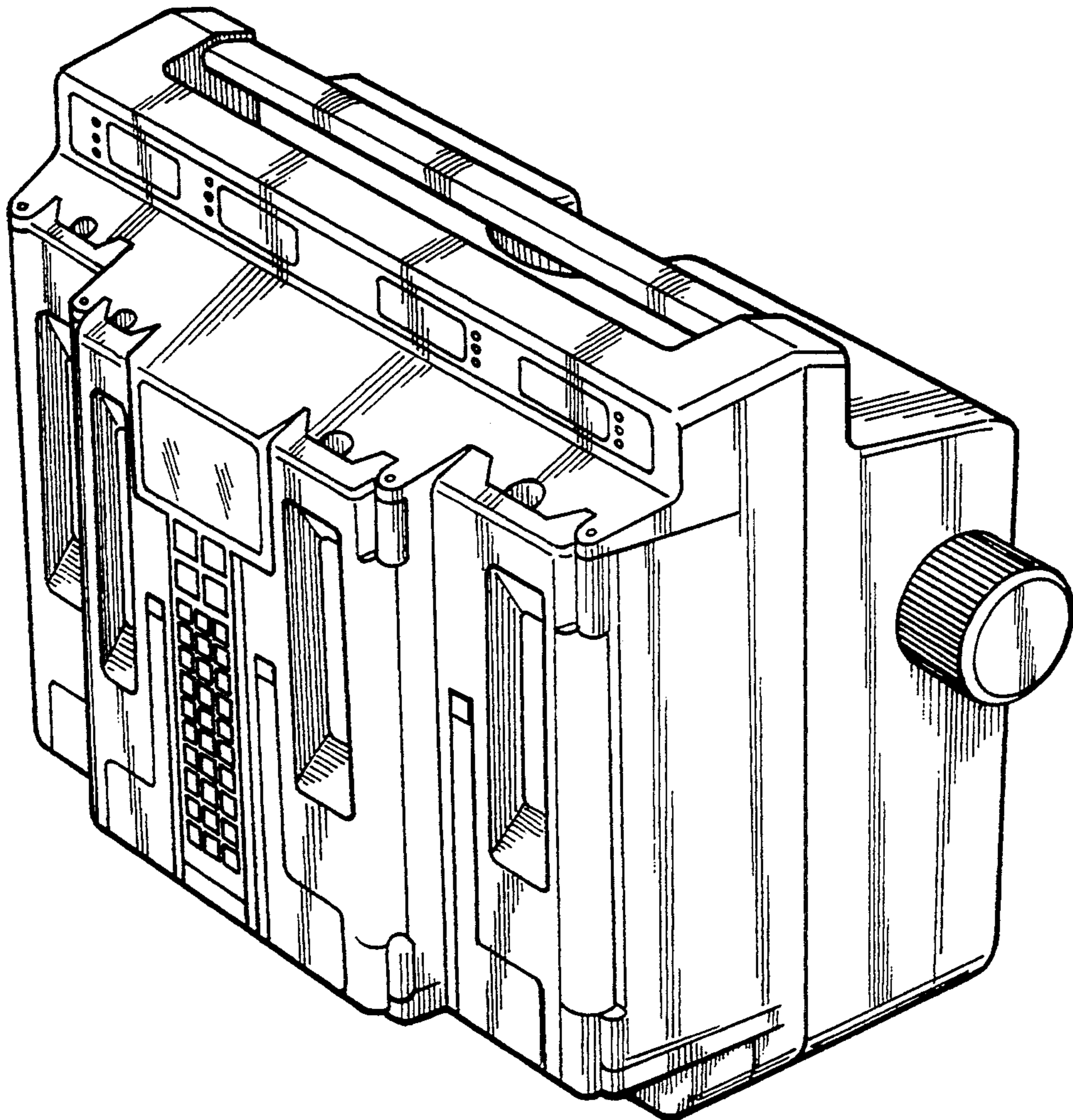
Primary Examiner—A. Hugo Word
Assistant Examiner—I. Simmons
Attorney, Agent, or Firm—Nydegger & Associates

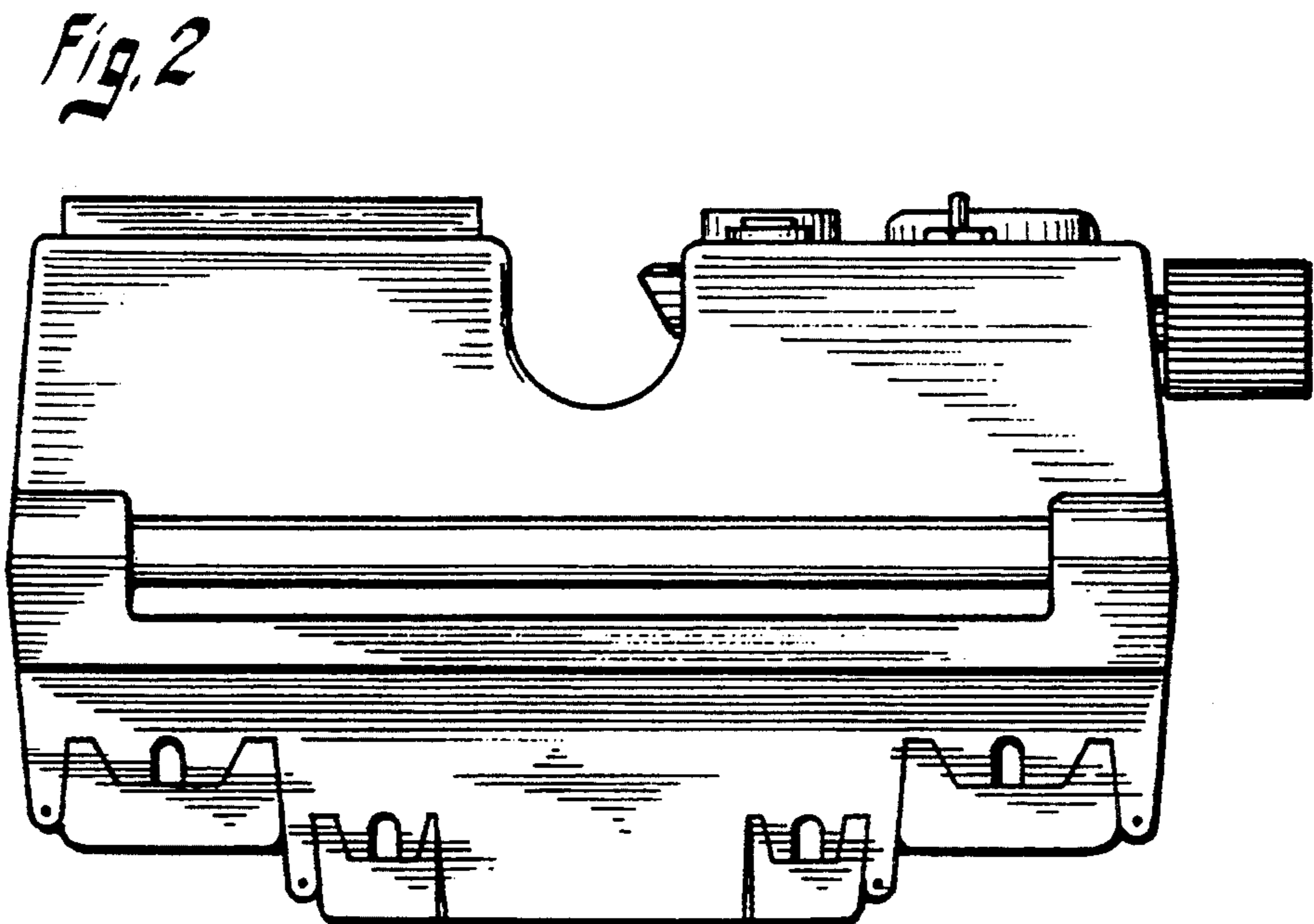
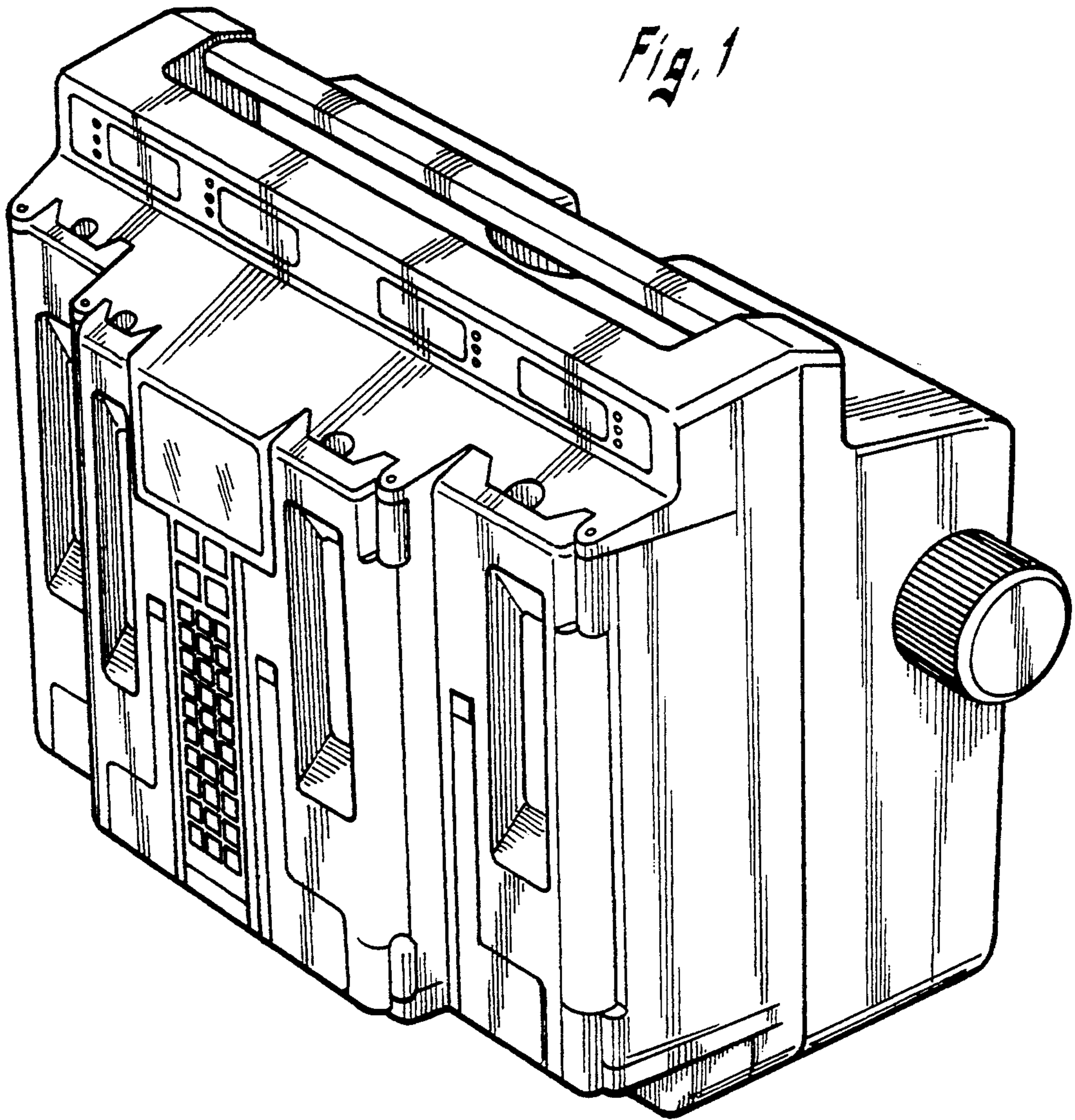
[57] **CLAIM**

The ornamental design for a multichannel infusion pump for sequencing IV fluids to a patient, as shown.

DESCRIPTION

FIG. 1 is a perspective view of the novel multichannel infusion pump for sequencing IV fluids to a patient according to the present invention; FIG. 2 is a top plan view thereof; FIG. 3 is a front elevational view thereof; FIG. 4 is a right side elevational view thereof; FIG. 5 is a left side elevational view thereof; FIG. 6 is a rear elevational view thereof; and, FIG. 7 is a bottom view thereof.





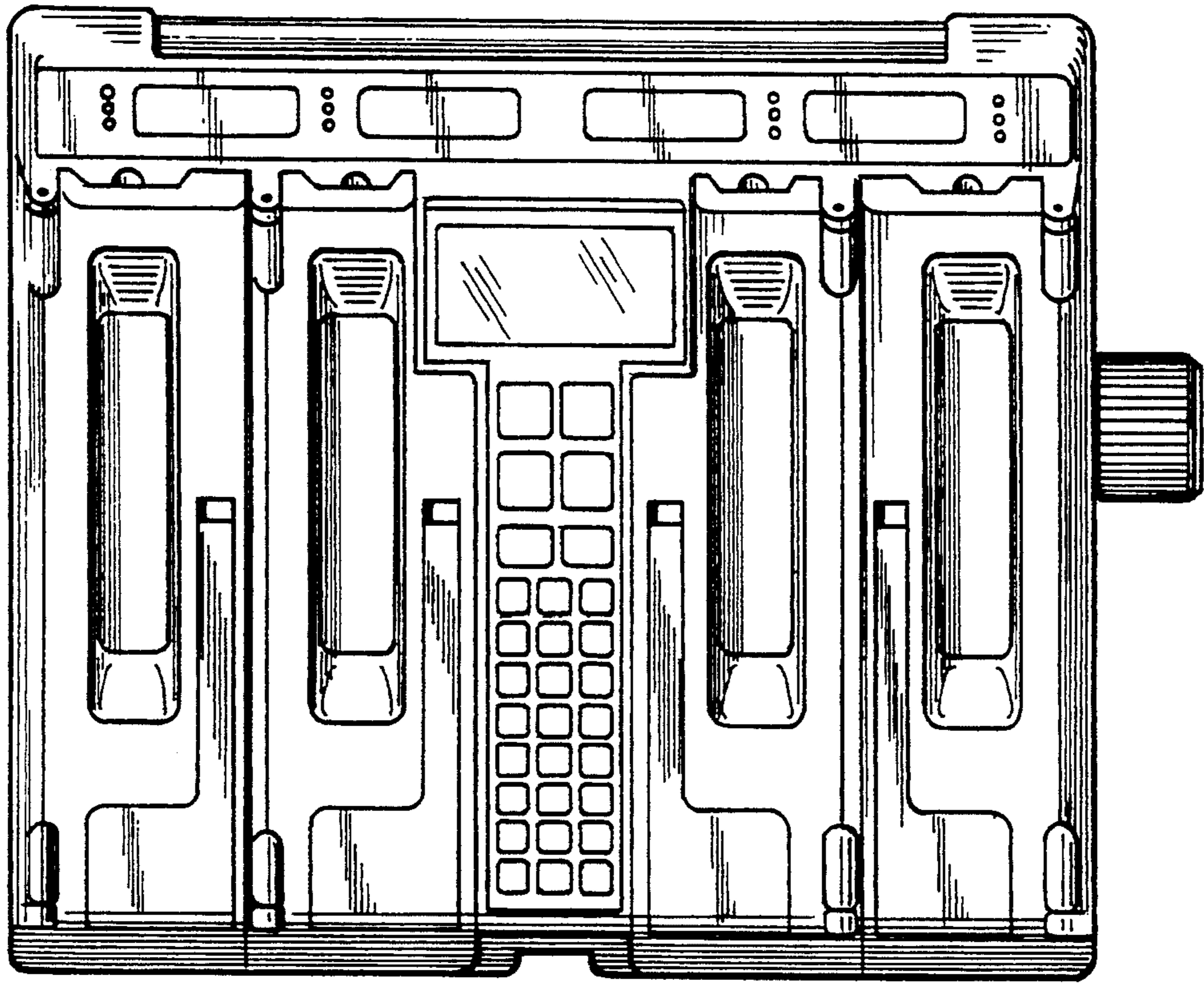


Fig. 3

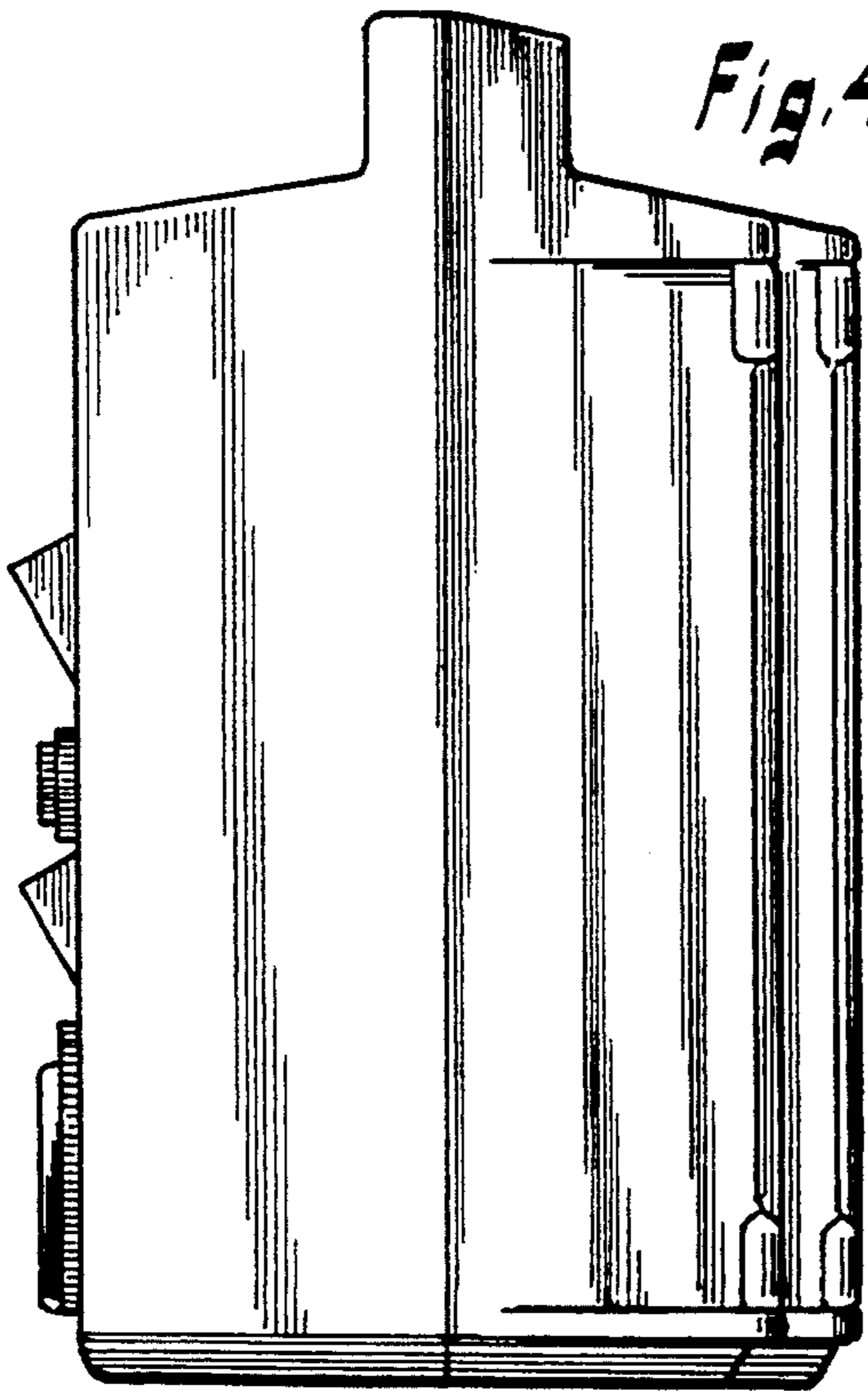
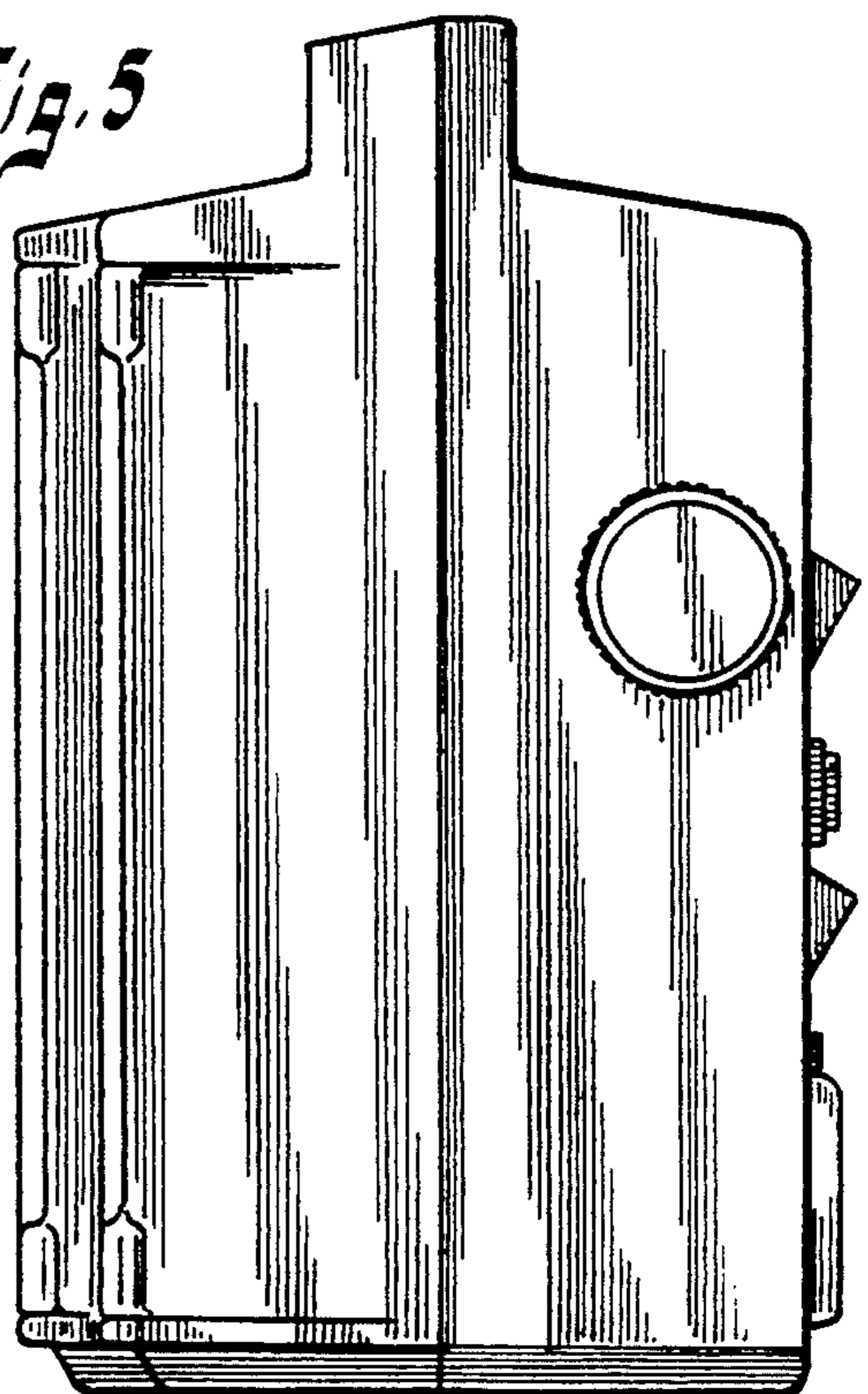


Fig. 4

Fig. 5



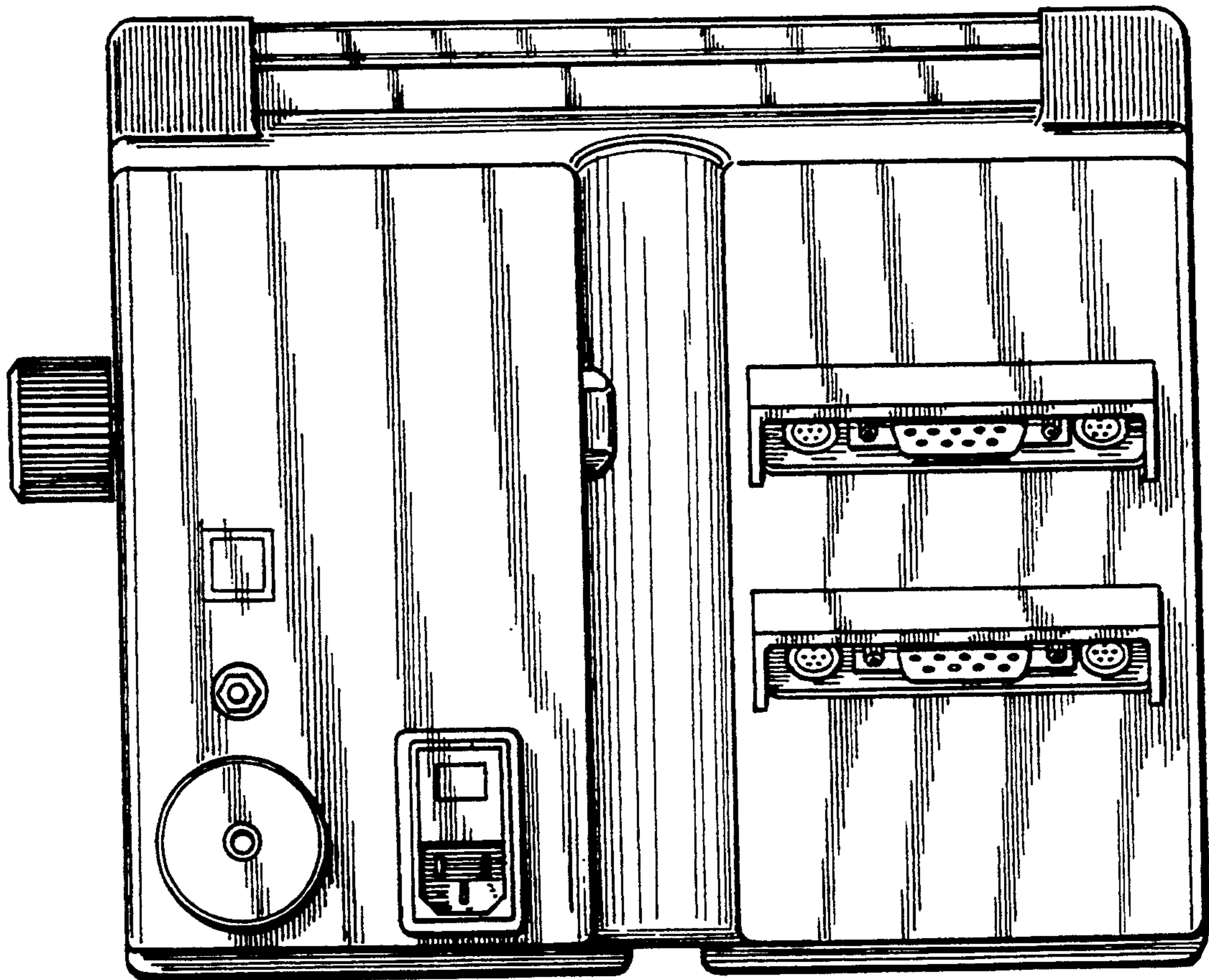


Fig. 6

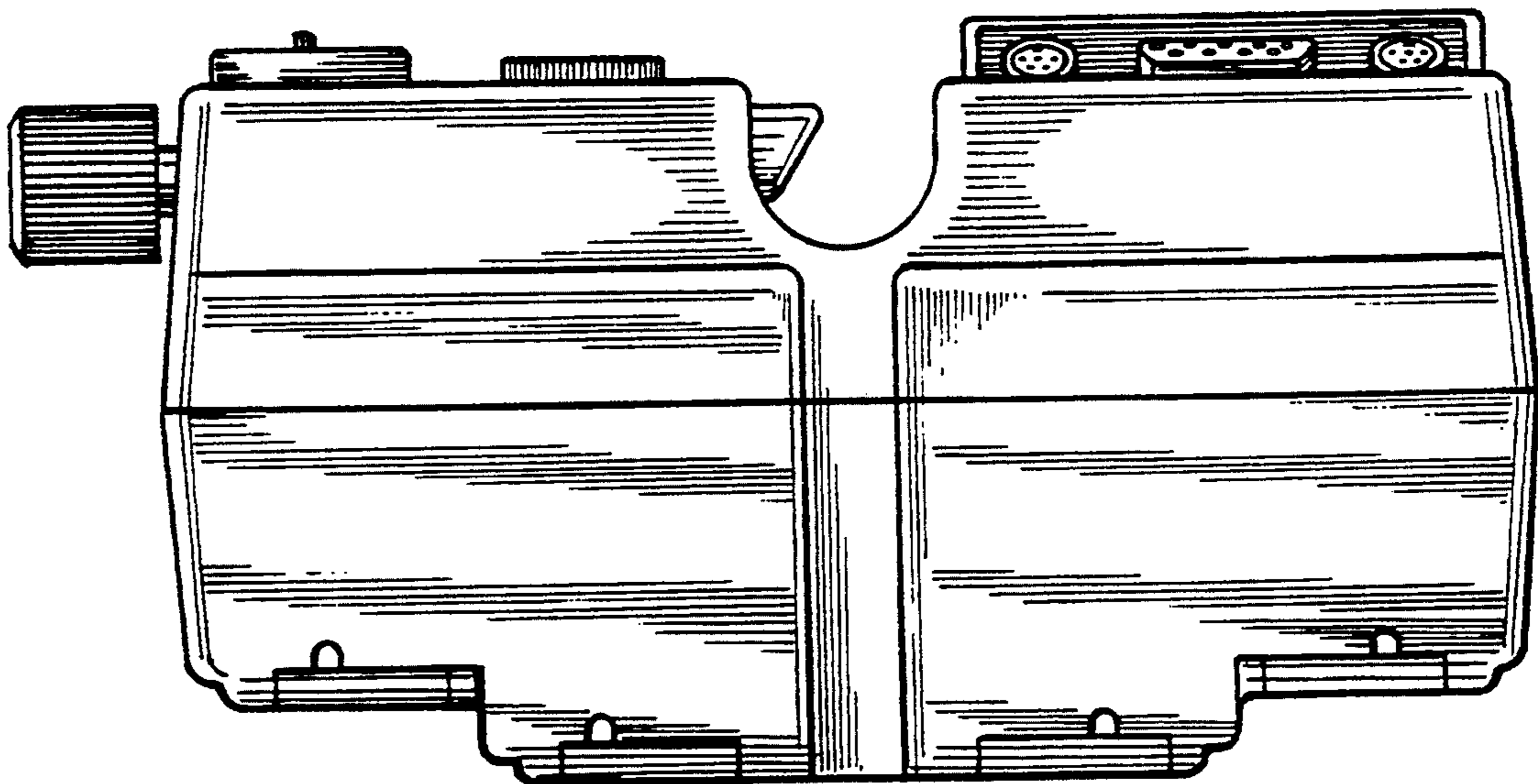


Fig. 7