



US00D352776S

United States Patent [19]

[11] Patent Number: **Des. 352,776**

Hill et al.

[45] Date of Patent: **** Nov. 22, 1994**

[54] FIREPLACE GRILL INSERT FOR COOKING

[76] Inventors: **James R. Hill**, 1510 S. 10th St., Kingfisher, Okla. 73750; **Robert J. Bomhoff**, P.O. Box 442, Okarche, Okla. 73762

[**] Term: **14 Years**

[21] Appl. No.: **5,542**

[22] Filed: **Mar. 5, 1993**

[52] U.S. Cl. **D23/400; D6/489; D7/332; D23/398**

[58] Field of Search **D6/489, 487; 126/30, 126/29, 506, 505; 248/163.1; D23/400, 398**

[56] **References Cited**

U.S. PATENT DOCUMENTS

D. 188,743	8/1960	Arrand	D23/400
D. 220,264	3/1971	Stone	D23/400
440,453	11/1890	Wilson	126/333
615,836	12/1898	Ford	126/367
2,523,200	9/1950	Durst, Jr.	126/137
2,751,899	6/1956	Hamilton	126/30

2,868,189	1/1959	Watrous	126/25
3,391,685	7/1968	Lemmons et al.	126/137
3,439,667	4/1969	Stone	126/165
3,641,922	2/1972	Nachazel et al.	99/340
4,117,825	10/1978	Robertson	126/29
4,532,912	8/1985	Burnside, III	126/30
4,627,413	12/1986	Watson	126/137
4,688,543	8/1987	Kopke	126/25 A

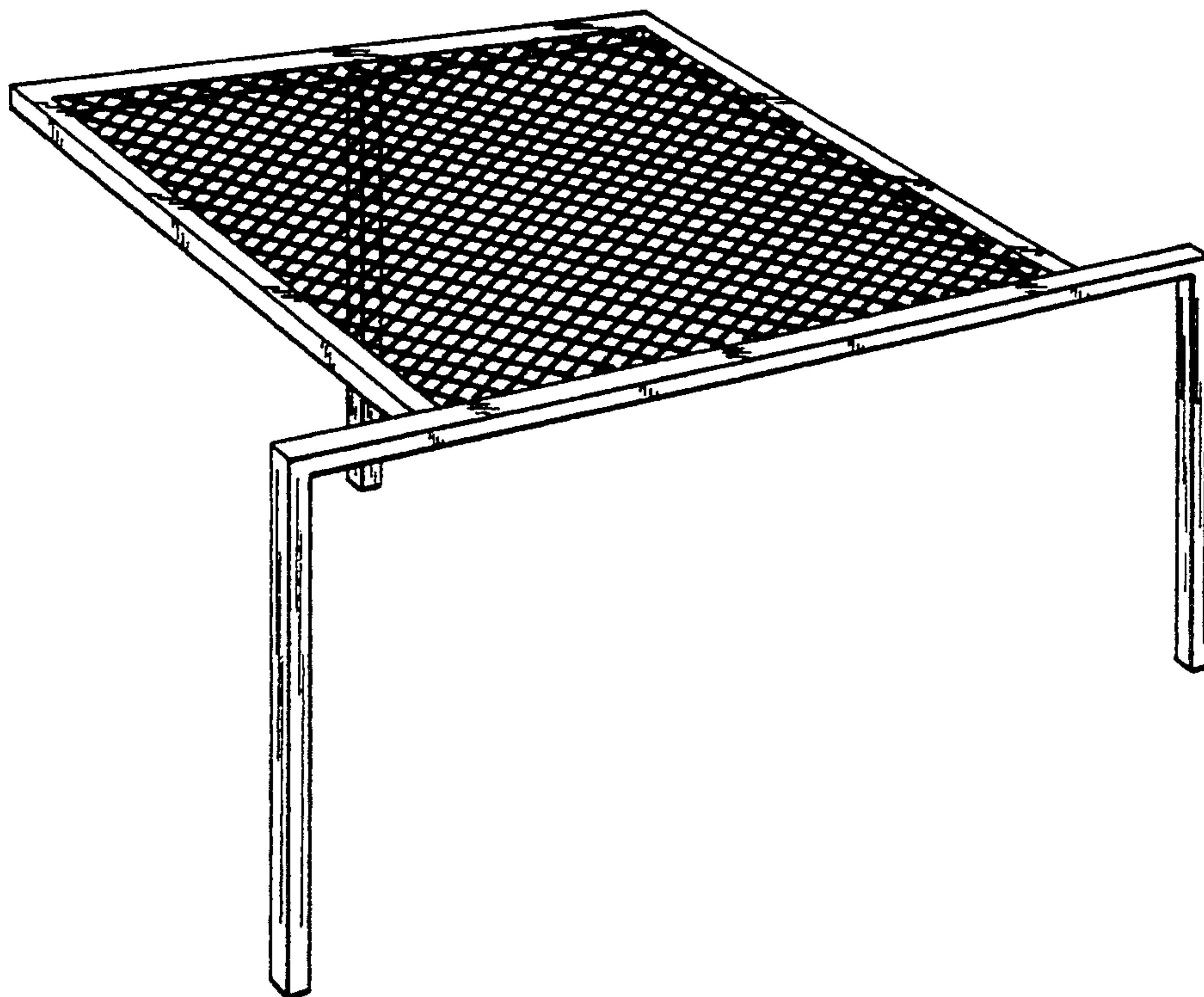
Primary Examiner—Lisa P. Lichtenstein
Attorney, Agent, or Firm—Dougherty, Hessin, Beavers & Gilbert

[57] **CLAIM**

The ornamental design for a fireplace grill insert for cooking, as shown and described.

DESCRIPTION

FIG. 1 is a forward quarter perspective view of the design;
FIG. 2 is a top plan view;
FIG. 3 is a bottom plan view;
FIG. 4 is a right side view of the design, the left side view being a mirror image thereof; and,
FIG. 5 is a rear view.



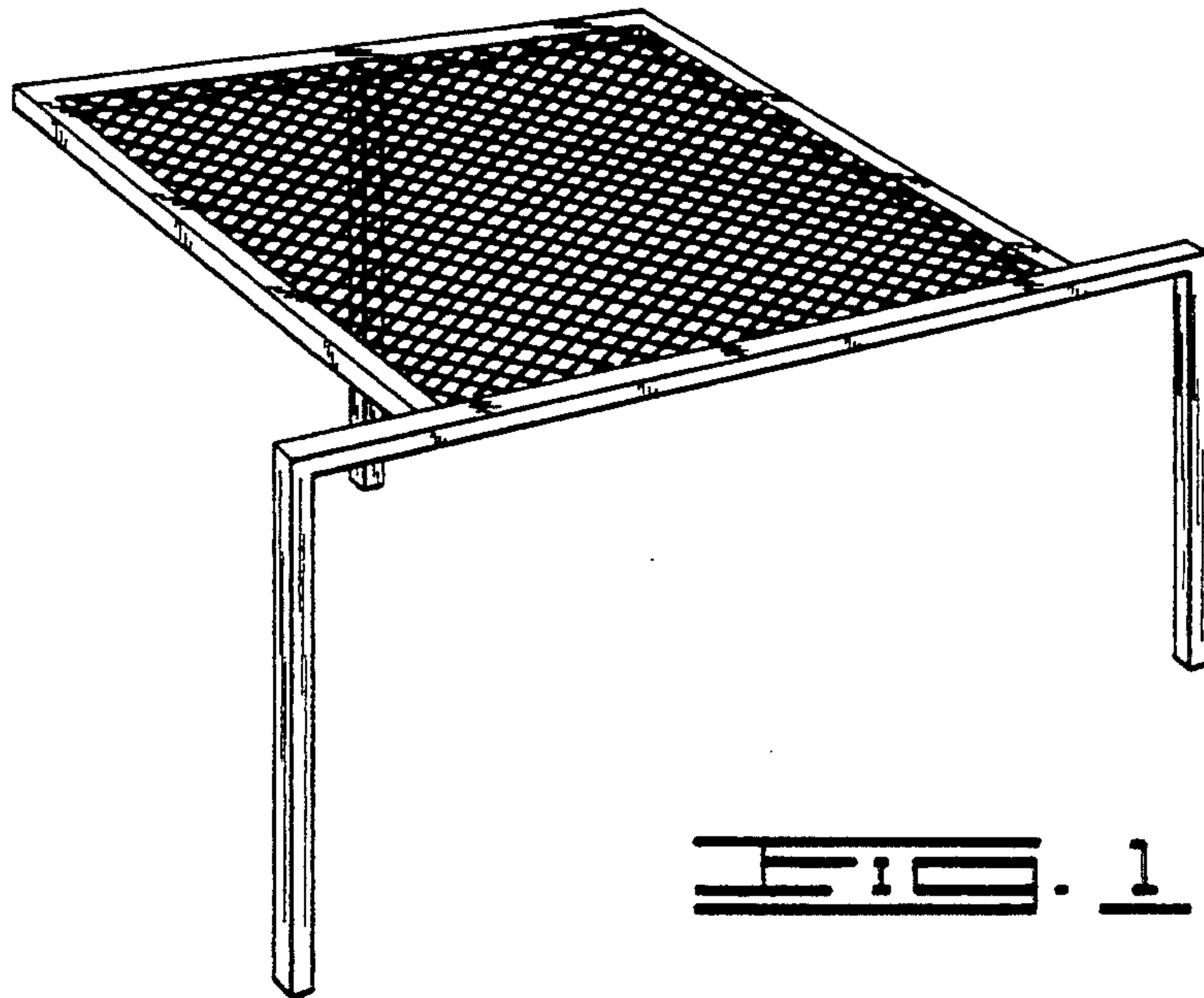


FIG. 1

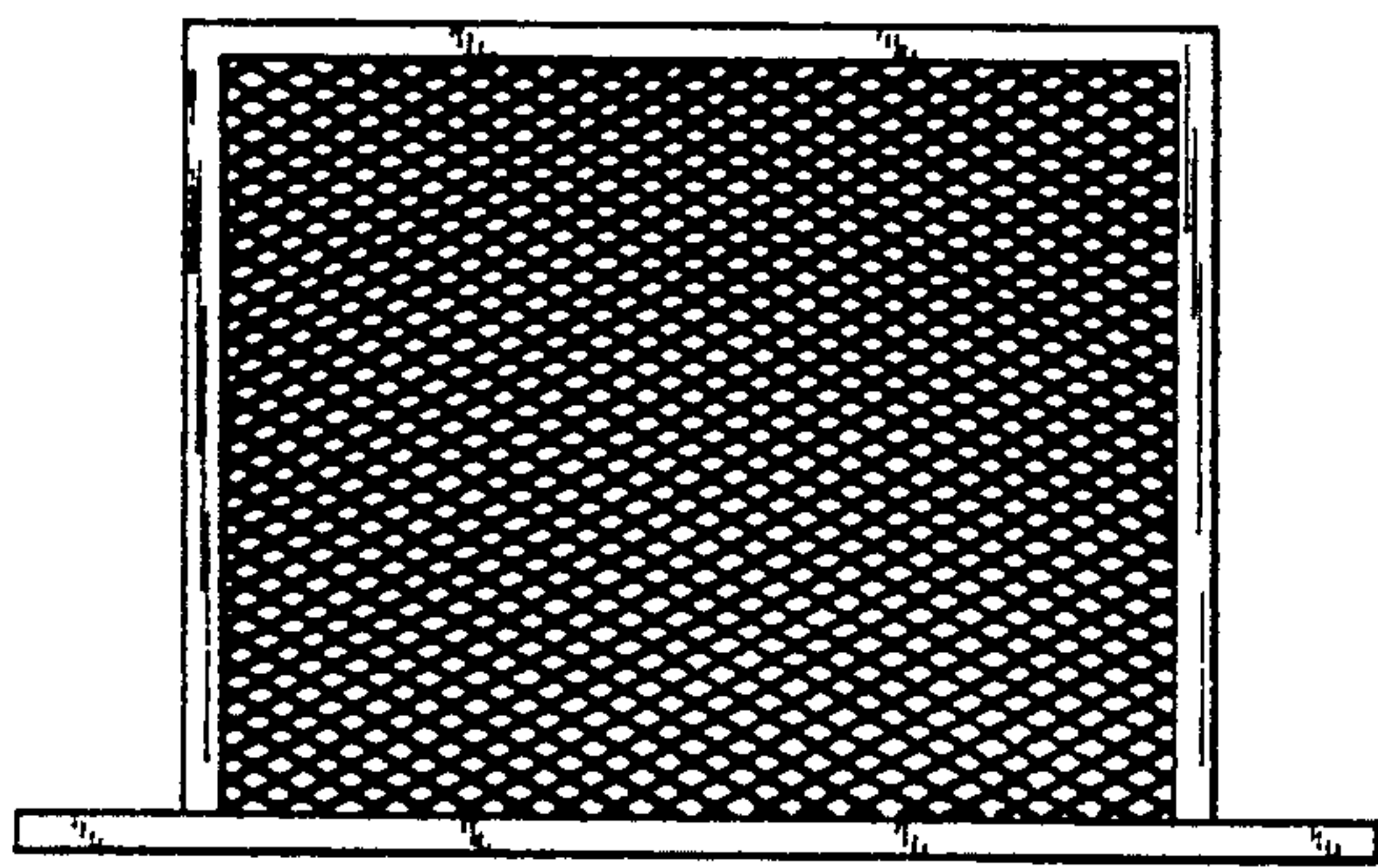


FIG. 2

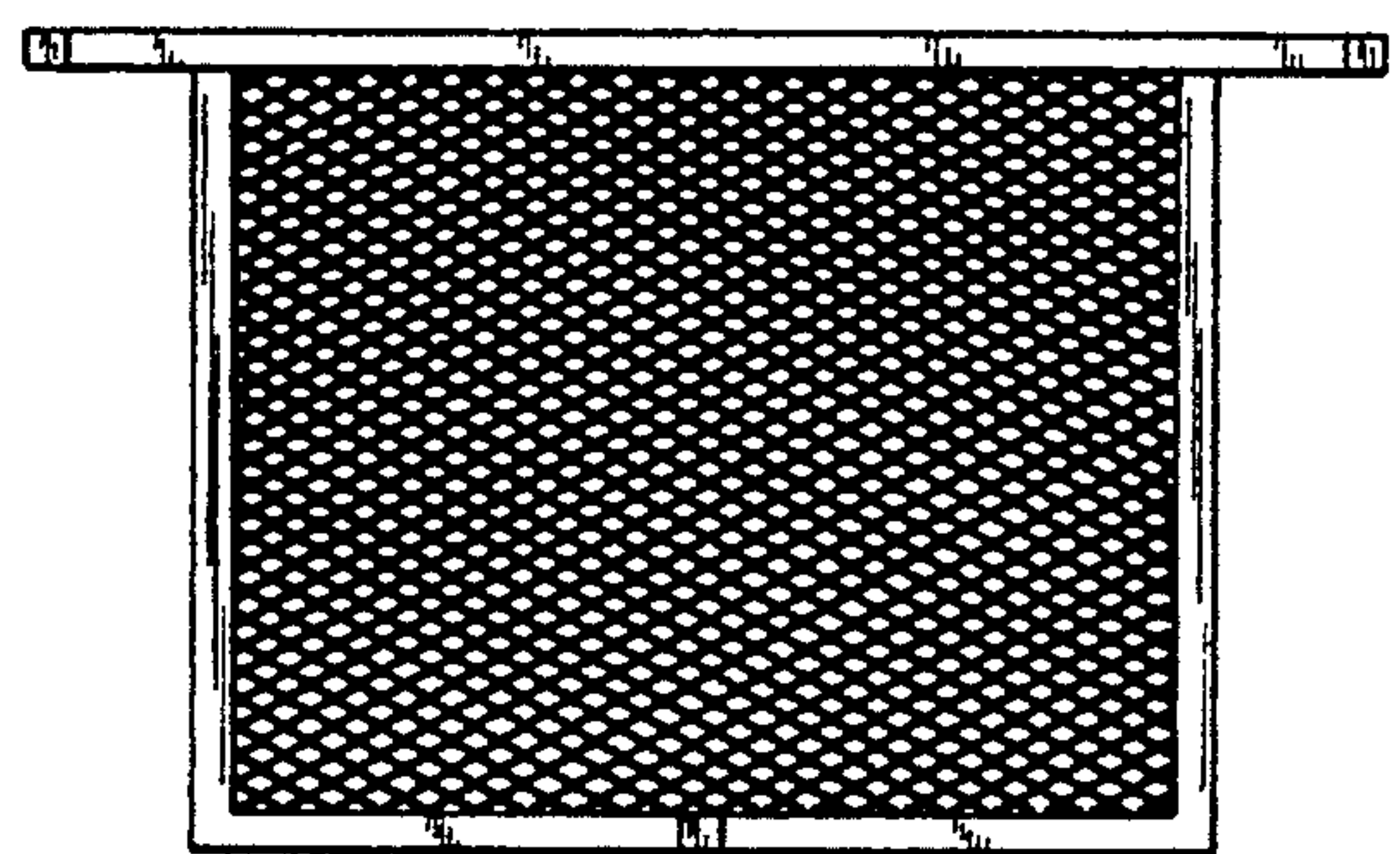


FIG. 3

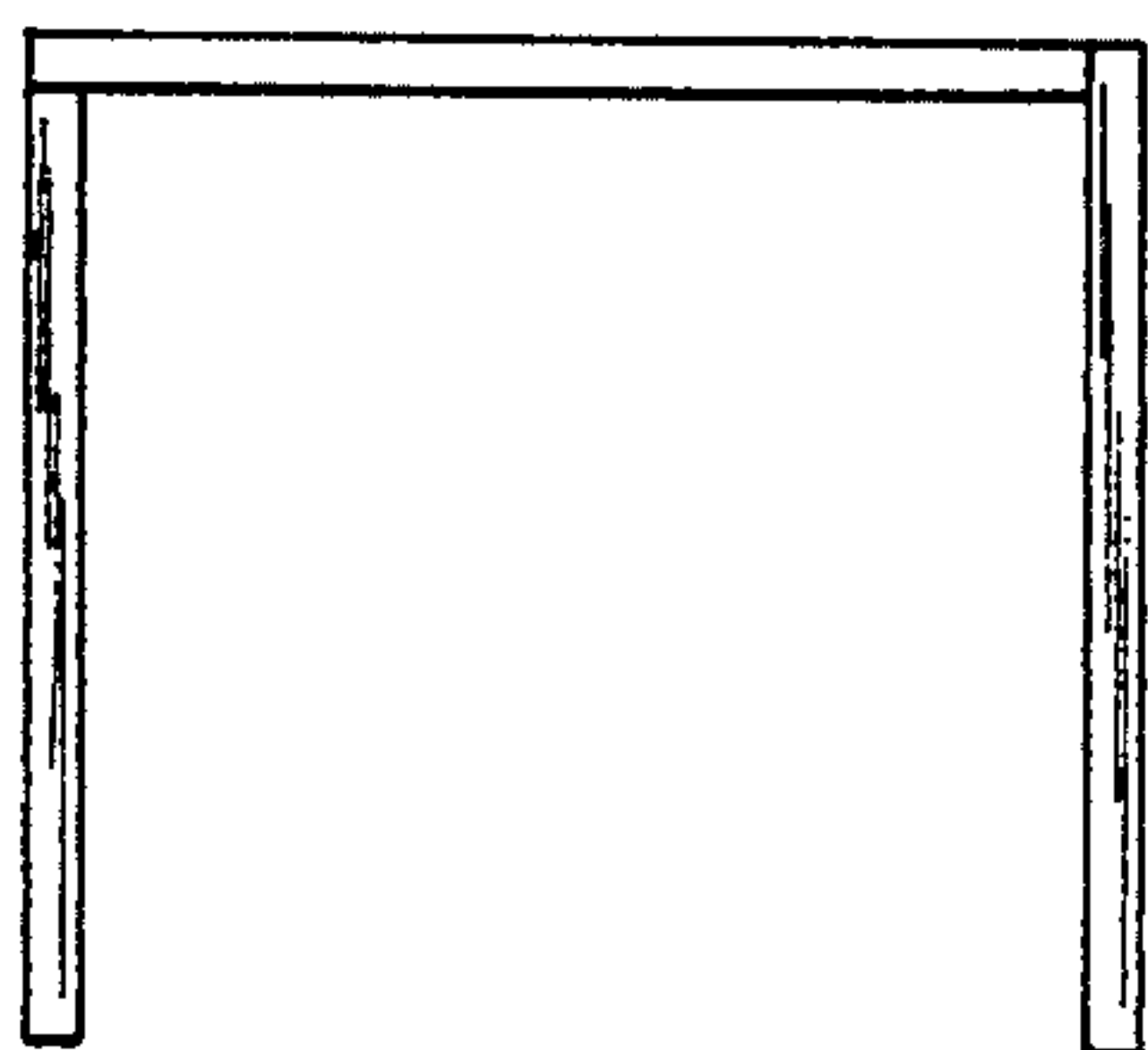


FIG. 4

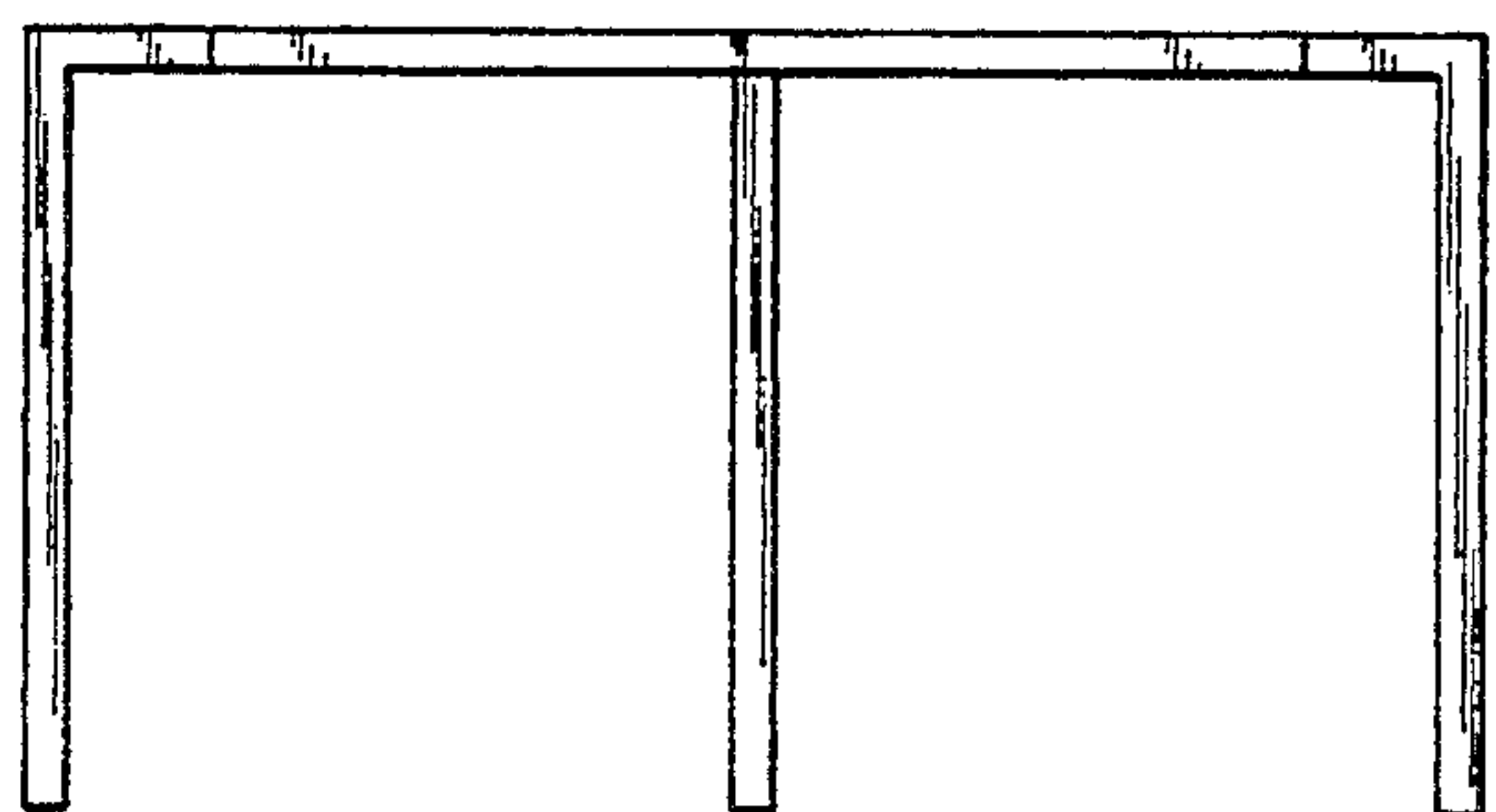


FIG. 5