



US00D352775S

United States Patent [19]

[11] Patent Number: **Des. 352,775**

Radtke, Jr.

[45] Date of Patent: **** Nov. 22, 1994**

[54] **ELECTRIC FAN**

Attorney, Agent, or Firm—Howard R. Popper

[75] Inventor: **Leroy F. Radtke, Jr., Lake Zurich, Ill.**

[57] CLAIM

The ornamental design for an electric fan as shown and described.

[73] Assignee: **Circulair, Inc., Niles, Ill.**

[**] Term: **14 Years**

DESCRIPTION

[21] Appl. No.: **64**

FIG. 1 shows a three-quarter front perspective view of an electric fan;

[22] Filed: **Nov. 12, 1992**

FIG. 2 shows a full front view of the ornamental design of a fan;

[52] U.S. Cl. **D23/382; D23/378**

FIG. 3 shows a full rear view of the ornamental design of a fan;

[58] Field of Search **416/247 R; 248/676; 392/365-369; D23/381, 382, 411, 412, 378; D28/13-18**

FIG. 4 is a side view of the ornamental design of a fan, the opposite side being a mirror image of that shown;

FIG. 5 shows a top view of the ornamental design of a fan;

FIG. 6 shows a bottom view of the ornamental design of a fan; and,

FIG. 7 is a side view of the ornamental design of a fan, in an upward tilted position, the opposite side being a mirror image of that shown.

[56] References Cited

U.S. PATENT DOCUMENTS

- D. 307,470 4/1990 Utsuki et al. D23/382
- D. 314,048 1/1991 Leon, Jr. D23/378

Primary Examiner—Lisa P. Lichtenstein

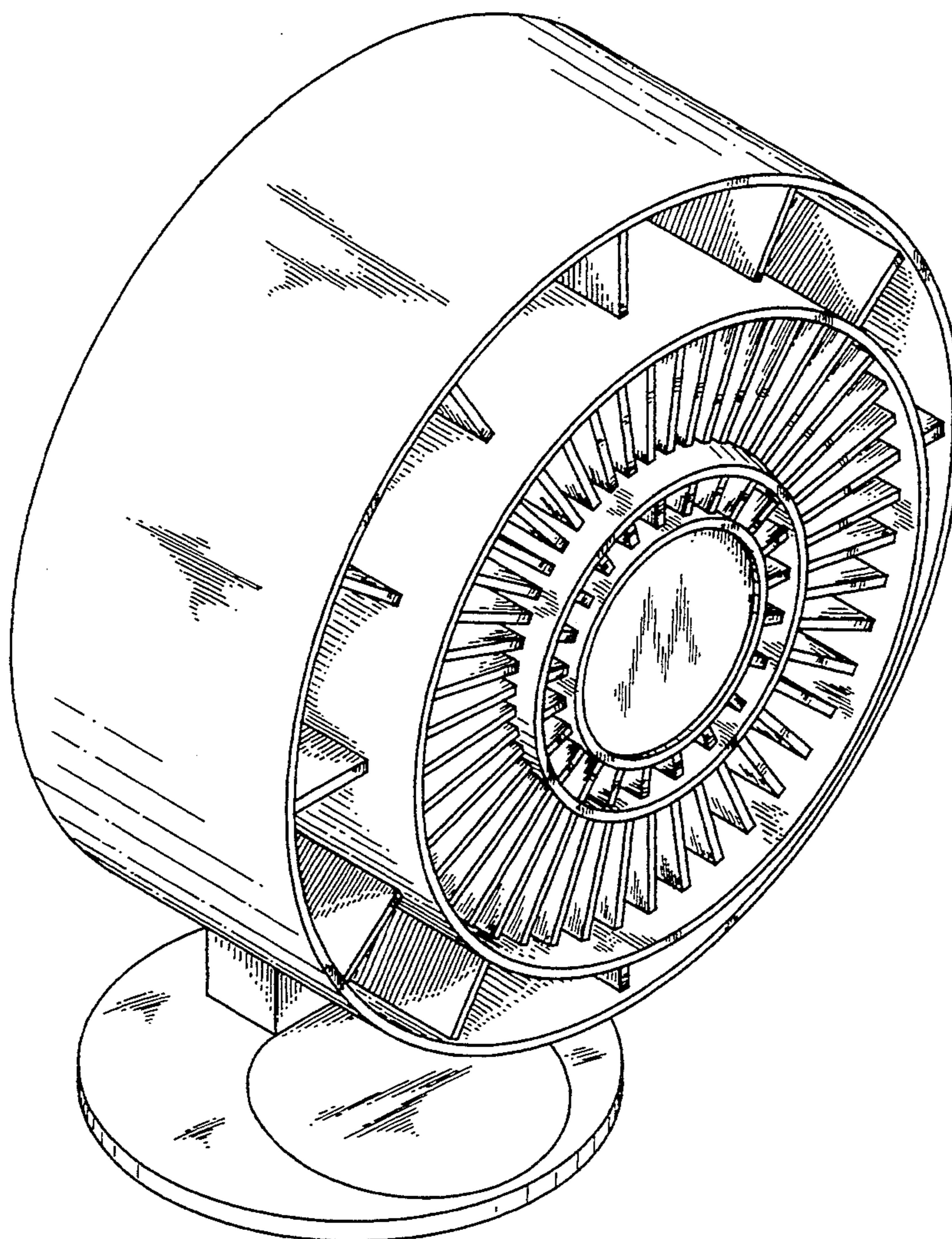


FIG. 1

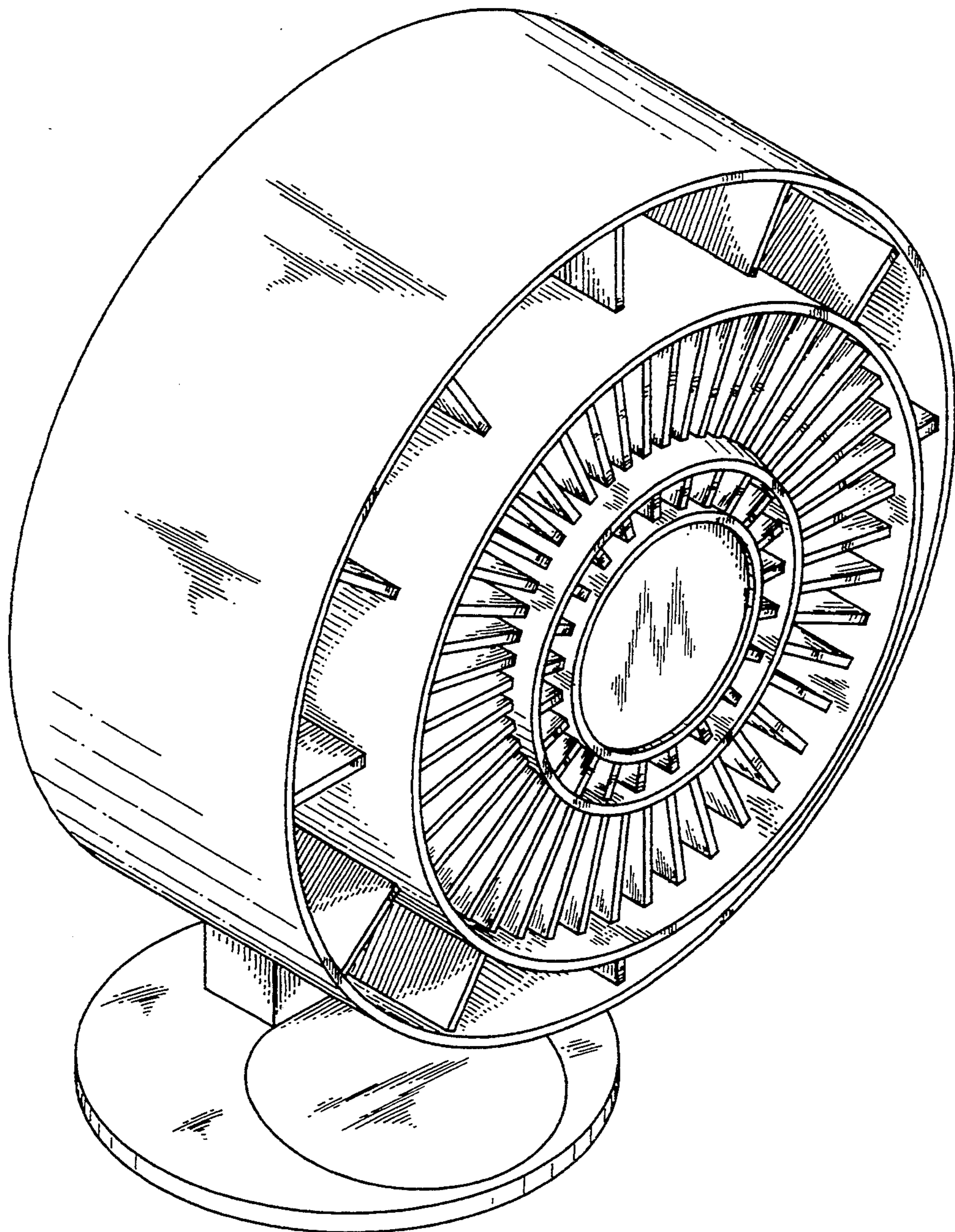


FIG. 3

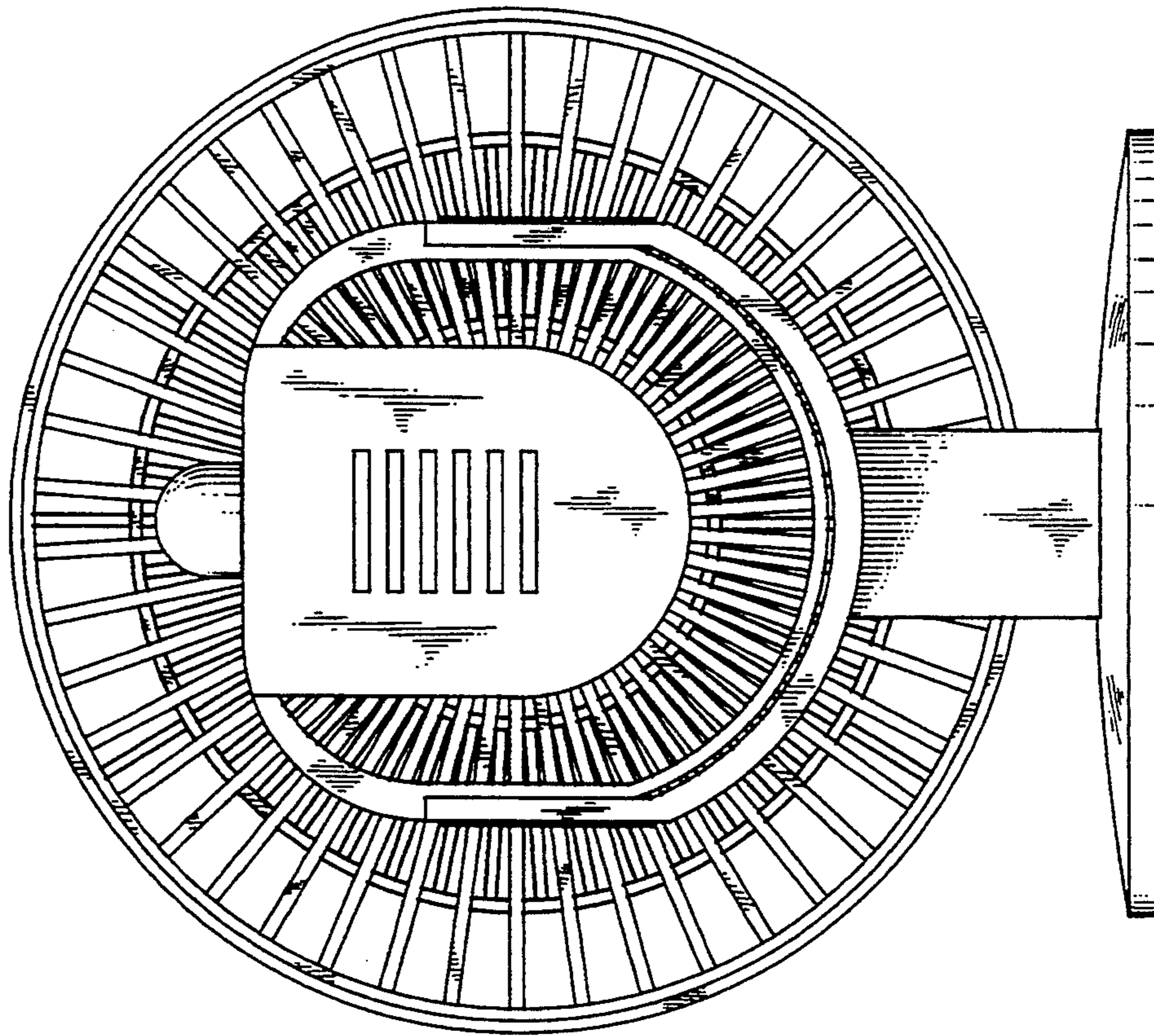


FIG. 2

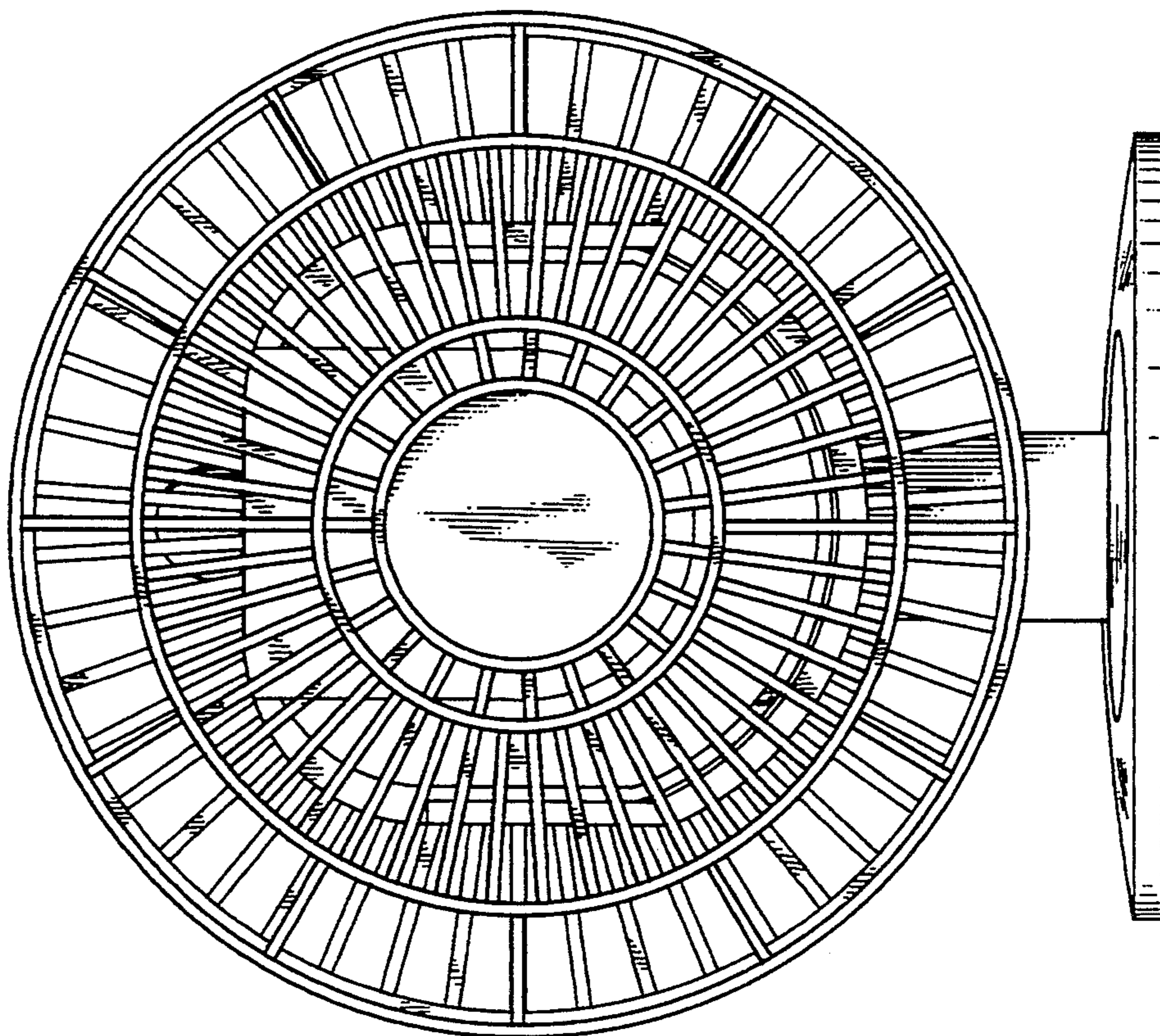


FIG. 5

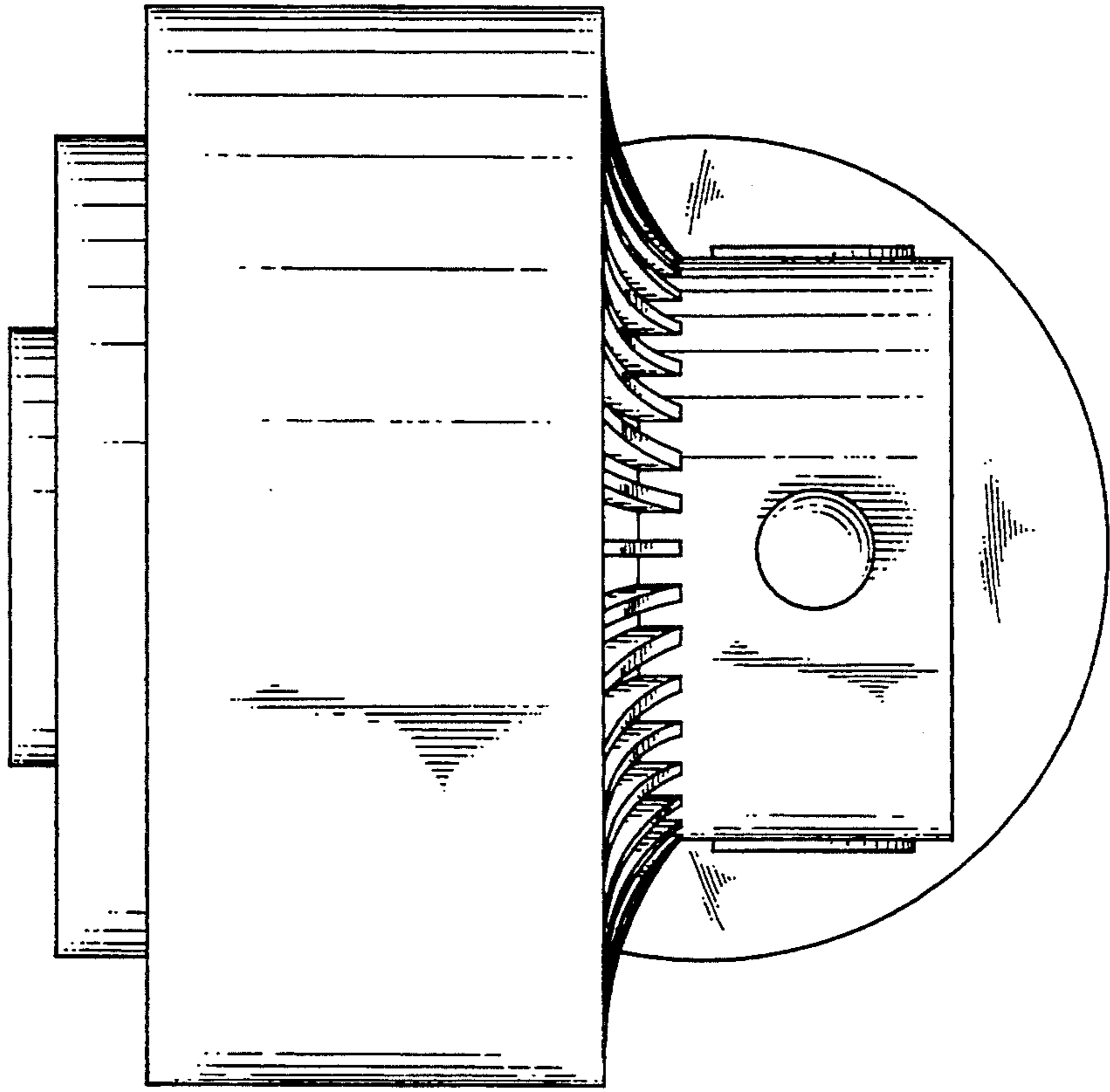
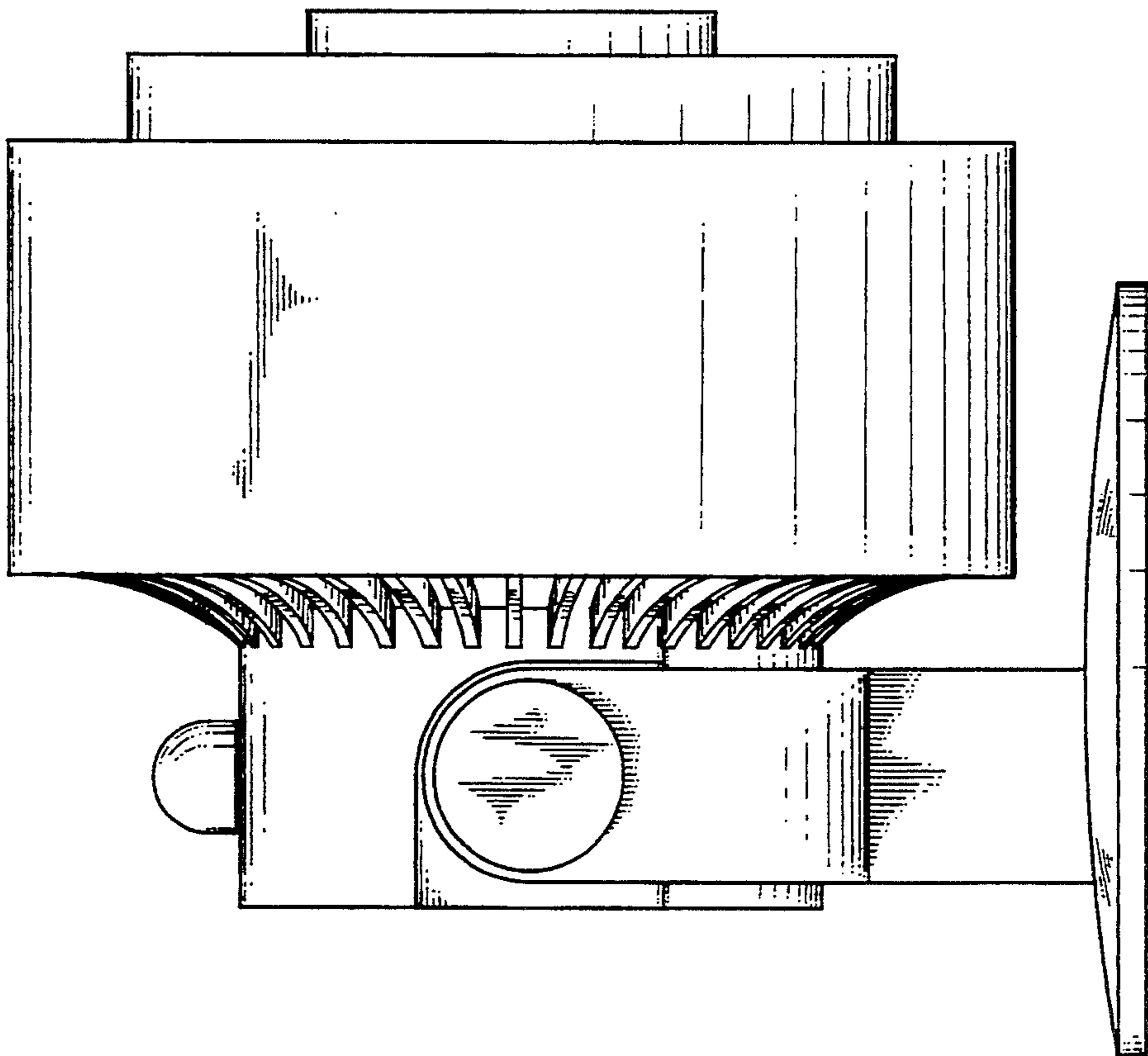


FIG. 4



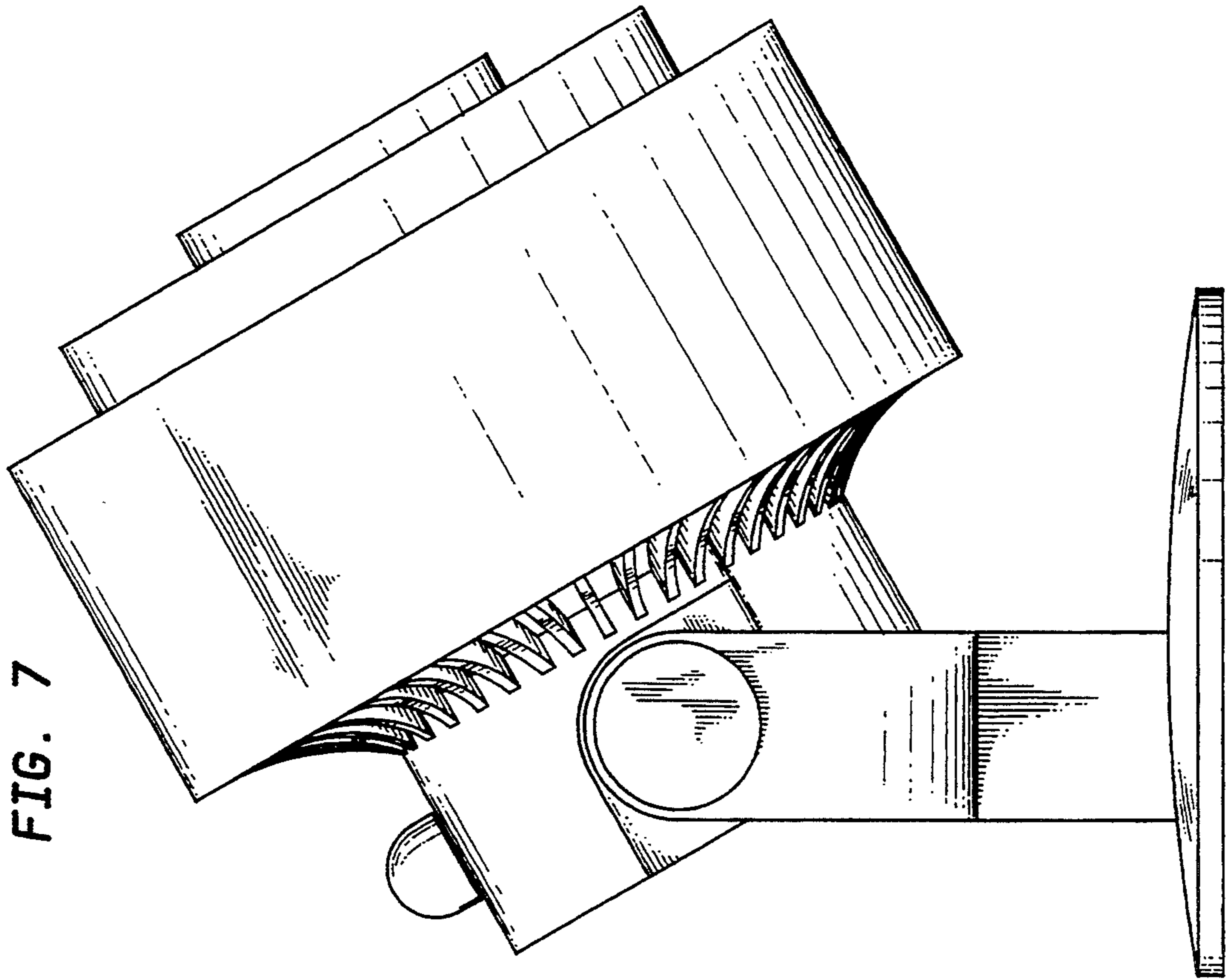


FIG. 7

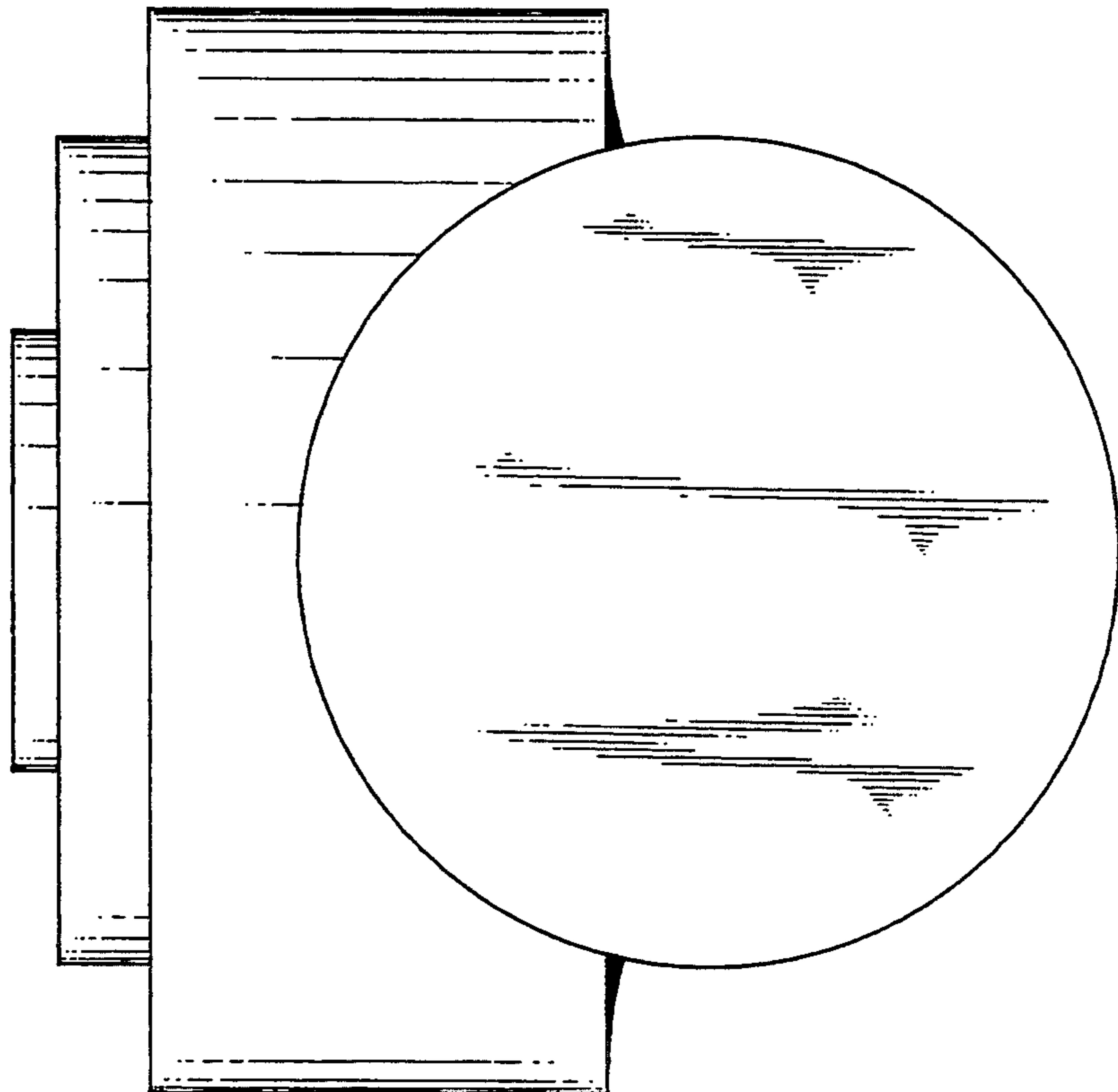


FIG. 6