



US00D352771S

United States Patent [19]

[11] Patent Number: Des. 352,771

Walsh et al.

[45] Date of Patent: ** Nov. 22, 1994

[54] SINK

[75] Inventors: Patrick M. Walsh; Finis H. Burns, both of Ruston, La.

[73] Assignee: UNR Industries, Inc., Chicago, Ill.

[**] Term: 14 Years

[21] Appl. No.: 926,806

[22] Filed: Aug. 7, 1992

[52] U.S. Cl. D23/290

[58] Field of Search 4/619, 631-643; D23/284-294

[56] References Cited

U.S. PATENT DOCUMENTS

D. 192,493	4/1962	Lyon, Jr.	D4/2
D. 234,201	1/1975	Stairs, Jr.	D23/62
D. 234,464	3/1975	Stairs, Jr.	D23/2
D. 295,068	4/1988	Kohler, Jr. et al.	D23/290
D. 319,301	8/1991	Ris	D23/290
D. 323,878	2/1992	Sauter et al.	D23/290
D. 323,879	2/1992	Sauter	D23/290
D. 324,264	2/1992	Sauter et al.	D23/290
D. 324,909	3/1992	Sauter et al.	D23/290
D. 328,339	7/1992	Sauter et al.	D23/290
2,023,692	12/1935	McQuinn	4/187
2,203,323	6/1940	Coordes	4/5
2,330,800	10/1943	Dauch	68/232
2,889,559	6/1959	Lyon, Jr.	4/187

OTHER PUBLICATIONS

- Catalog by Kohler, The Bold Look of Kohler, "1991 New Products" (1991).
- Catalog by Neptune "Easy-To-Install Stainless Steel Sinks-Disposers" (prior to Aug. 7, 1992).
- Catalog by Elkay, "The Gourmet Collection", (1987).
- Catalog by Elkay, Select Series "Just Say Elkay" (1989).
- Catalog by Franke "Kitchen Sinks, Faucets, Accessories", distributed by Nortesco, Inc. (prior to Aug. 7, 1992).
- Advertisement by Elkay Manufacturing Company, "Where Great Ideas Flow" (1987).
- Advertisement by American Standard Inc., "Custom Line Dual Level Sink" (1991).

- Brochure by Almico Canada, "Almico Trade Line Collection" (prior to Aug. 7, 1992).
- Brochure by Spring Ram America, "The American Royals", Luxury Quartz Sinks (1992).
- Brochure by Franke, Franke Prestige Line and Franke Classic (prior to Aug. 7, 1992).
- Brochure by Franke, Franke Prestige, Franke Prestige Color and Franke Nobel (prior to Aug. 7, 1992).
- Brochure by Revere Sink Corporation, Le Unique and Carrington models (prior to Aug. 7, 1992).
- Advertisement by Kindred, "Kindred Collection" (prior to Aug. 7, 1992).
- Brochure by Waltec Sinkware, "Cuisinette . . ." (prior to Aug. 7, 1992).
- Brochure by Waltec Sinkware, "Color Spectrum" (prior to Aug. 7, 1992).
- Brochure by Waltec Sinkware, "Steel Queen Beautiful sinkware to last a lifetime" (prior to Aug. 7, 1992).

(List continued on next page.)

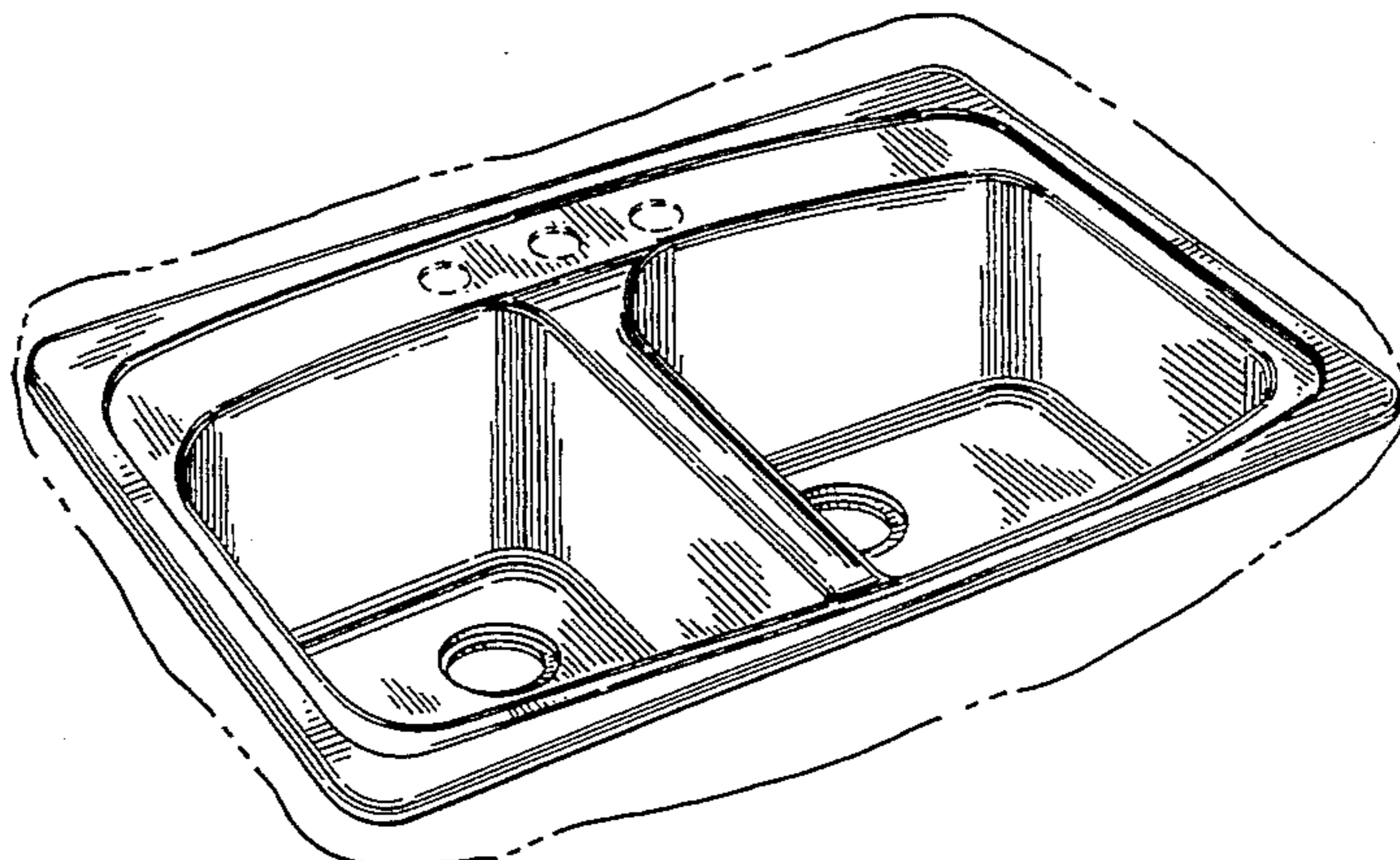
Primary Examiner—James R. Largen
Attorney, Agent, or Firm—Dressler, Goldsmith, Shore & Milnamow, Ltd.

[57] CLAIM

The ornamental design for a sink, as shown and described.

DESCRIPTION

FIG. 1 is a perspective view taken from the top, front, and left side of a sink showing our new design;
 FIG. 2 is a top plan view thereof;
 FIG. 3 is a left side view elevational thereof, the right side view being a mirror image;
 FIG. 4 is a front elevational view thereof;
 FIG. 5 is a rear elevational view thereof;
 FIG. 6 is a sectional view taken on line 6—6 of FIG. 2; and,
 FIG. 7 is a sectional view taken on line 7—7 of FIG. 2. The broken-line representation of holes in FIGS. 1 and 2 and the broken-line representation of a counter top in FIG. 1 are for purposes of illustration only and form no part of the claimed design.



OTHER PUBLICATIONS

Brochure by Mirolin Industries, "Mirostone Kitchen Sinks L'eviers de cuisine" (1988).

Brochure by Belinox, Belquarz Montreux and Aquarit Geneva sinks, (1991).

Brochure by Benthor-Sanijura, "The new range of super luxury sinks from Benthor" (prior to Aug. 7, 1992).

Catalog by Porcher, "Bathroom and Kitchen Fixtures" (prior to Aug. 7, 1992).

Catalog by Spring Ram, "Supersinks The Future in Fashion Sinks" (prior to Aug. 7, 1992).

Catalog by Royal Sink Div., Jensen-Thorsen Corporation, "Stainless Steel Sinks & Lavatory Bowls" (prior to Aug. 7, 1992).

Catalog by Alape. "The Sink As An Art form"(1987).

Catalog by Just Manufacturing Company, "Fashions in Stainless Steel" (1987).

Sink Catalog by Banner, "Banner Stainless Steel Sinks" (prior to Aug. 7, 1992).

Advertisement by Acrifoam Engineering Inc., "Advantage Kitchen Centers", (1988).

Advertisement by Blanco America Inc., "Functional European Style For Elegant Kitchens" (1989).

Catalog by American Standard, Pure Luxury, Portfolio of Products (prior to Aug. 7, 1992).

Catalog by Polar Stainless Products, Model 633-5 and Model L3322L/R (prior to Aug. 7, 1992).

Catalog by Sterling Plumbing Group, Inc., "Designer Sinks" (1983).

Catalog by Moen, "Moen Kitchen Sinks" (prior to Aug. 7, 1992).

Catalog by Moen, "Lancelot Camelot" (prior to Aug. 7, 1992).

Catalog by Commercial Enameling Co., "Selective Colors and Styles" (prior to Aug. 7, 1992).

Catalog by Neptune "Easy-To-Install Stainless Steel Sinks For Do-It-Yourselfers" (prior to Aug. 7, 1992).

Catalog by Galleria Bath & Kitchens Showplace, Swanstone Solid Touch of Elegance Kitchen Sinks (prior to Aug. 7, 1992).

Catalog by Kohler, 1990 New Products "The Bold Look of Kohler" (1990).

Catalog by Kohler, "Kitchen and Bar Sinks" (prior to Aug. 7, 1992).

Catalog by Kohler, The Bold Look of Kohler, "Stainless Steel Sinks Coralais™ Faucets Vikrell™ Bathing Products" (prior to Aug. 7, 1992).

Catalog by Elkay, "Stainless Steel Sinks" (prior to Aug. 7, 1992).

Catalog by Elkay, Select Series, "Stainless Steel Sinks and Hi-Arc™ Faucet Combinations" (prior to Aug. 7, 1992).

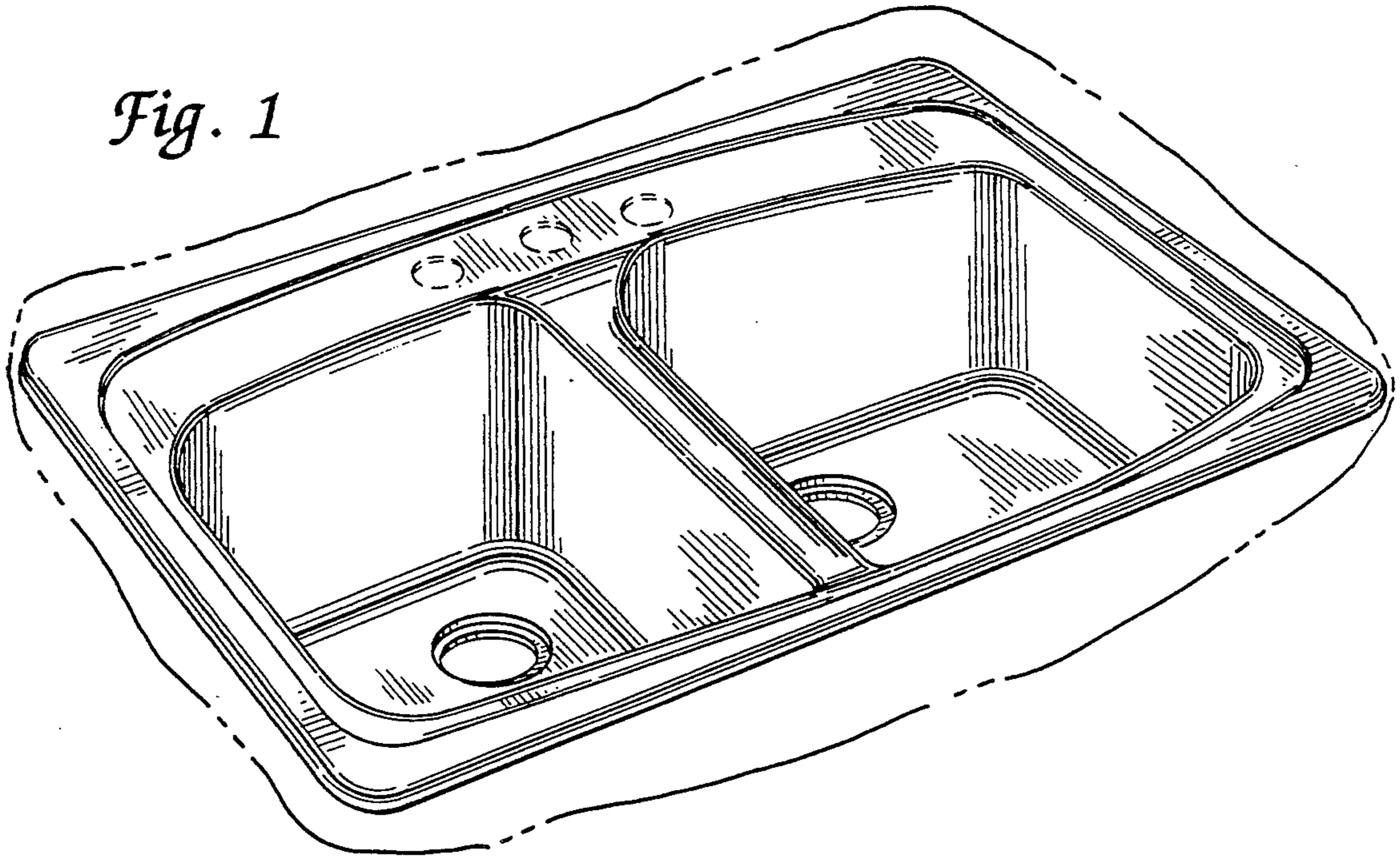
Fixture Brochure by Eljer, "Elegance Takes Shape Capture The Elegance" (prior to Aug. 7, 1992).

Catalog by American Standard, "Kitchens" (1990).

Brochure by The Swan Corporation, "Swan stone Kitchen Sinks, Solid Touch of Elegance" (prior to Aug. 7, 1992).

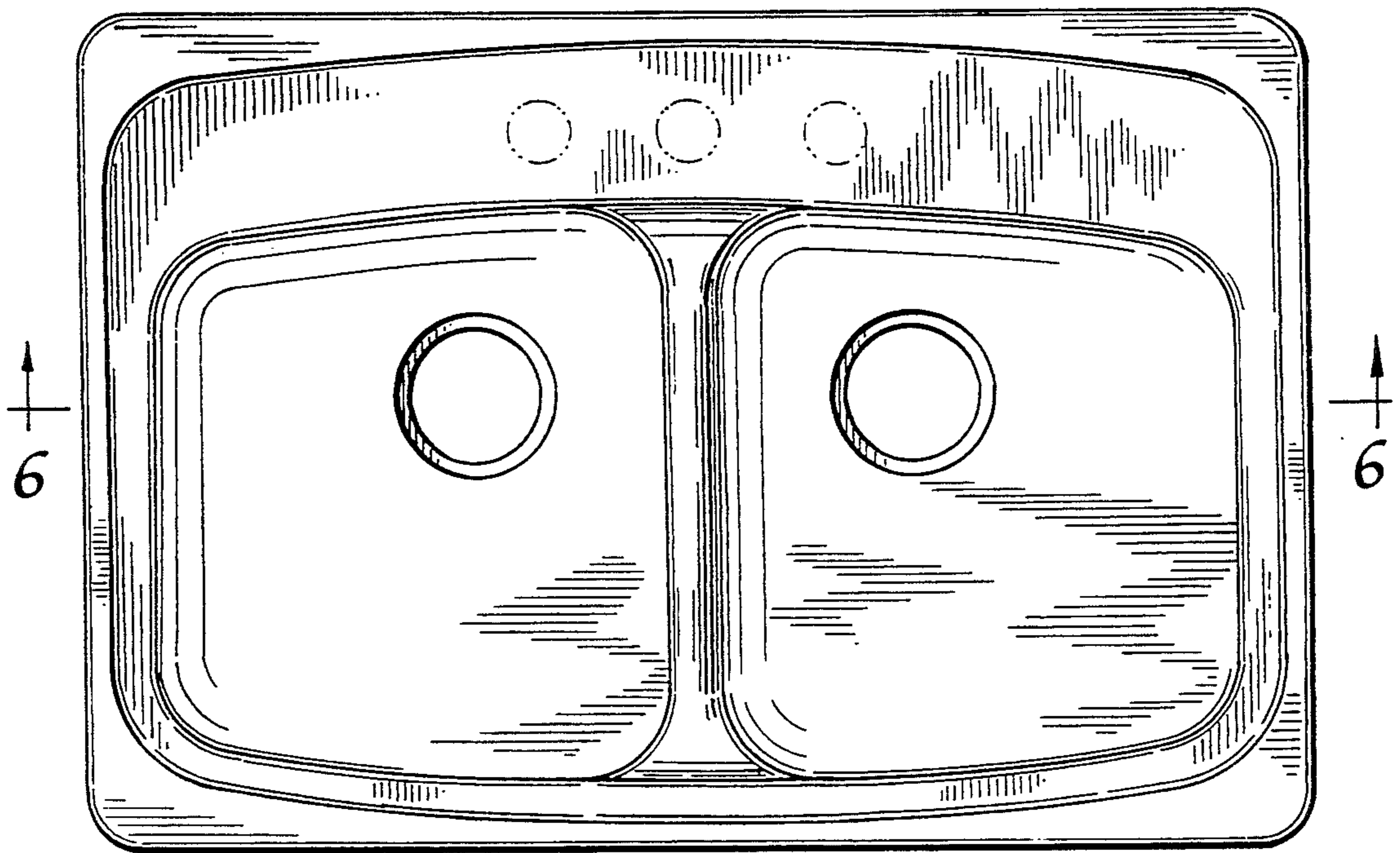
Steel Queen advertisement, two pages from vol. 5E, *Sweets* (1989/1990).

Fig. 1



7 + →

Fig. 2



↑
6

↑
6

7 + →

Fig. 3

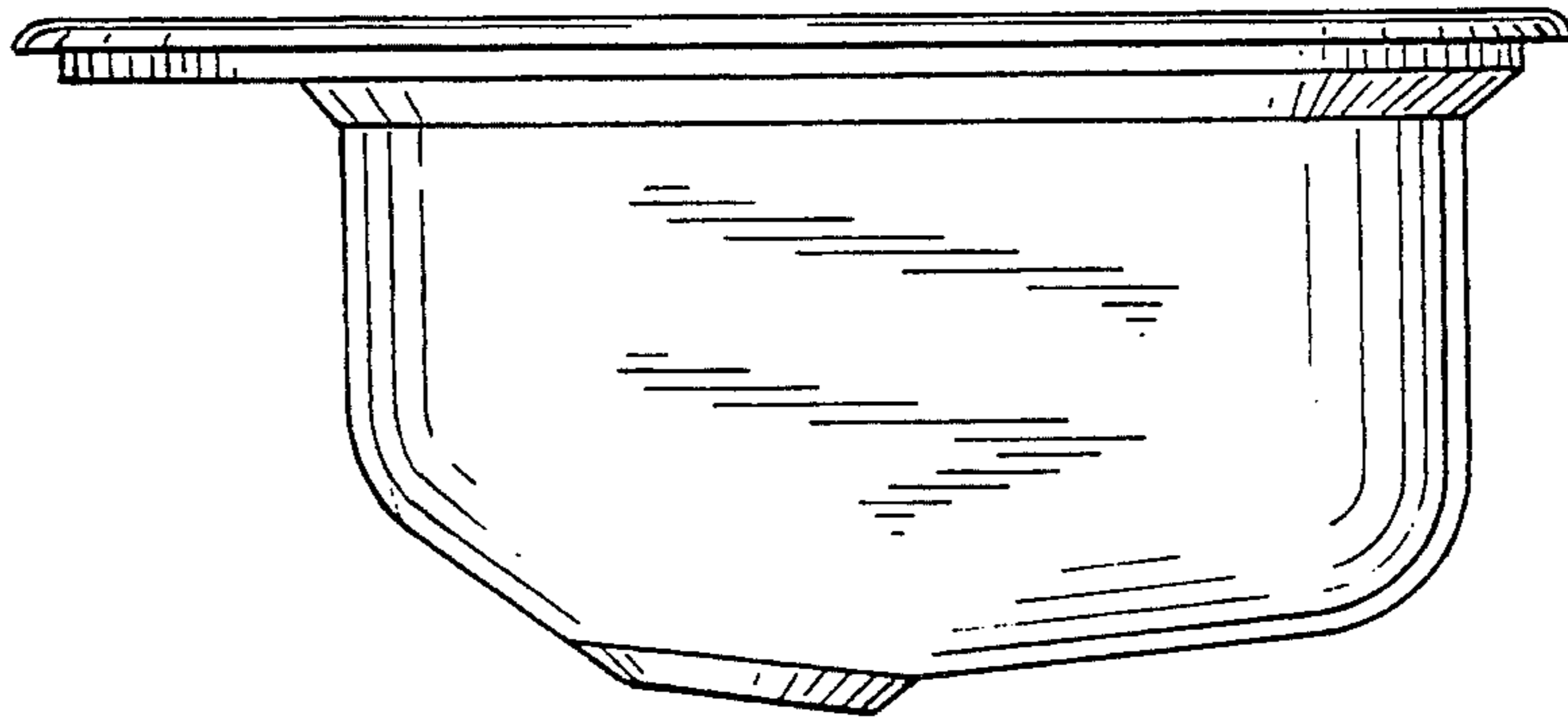


Fig. 4

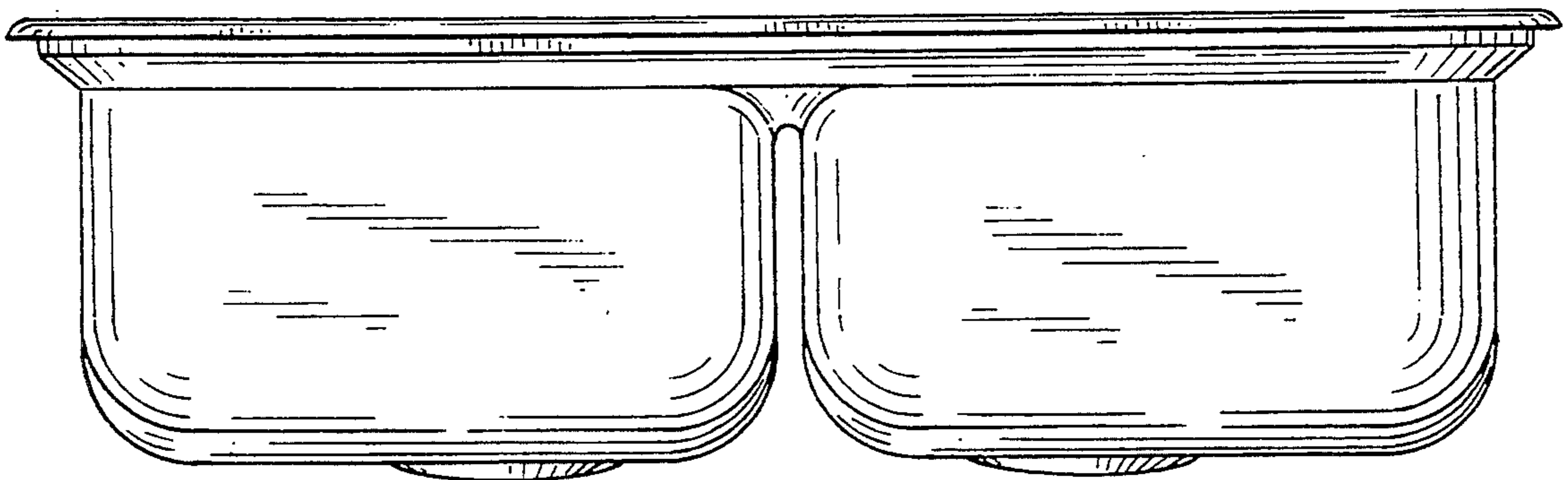


Fig. 5

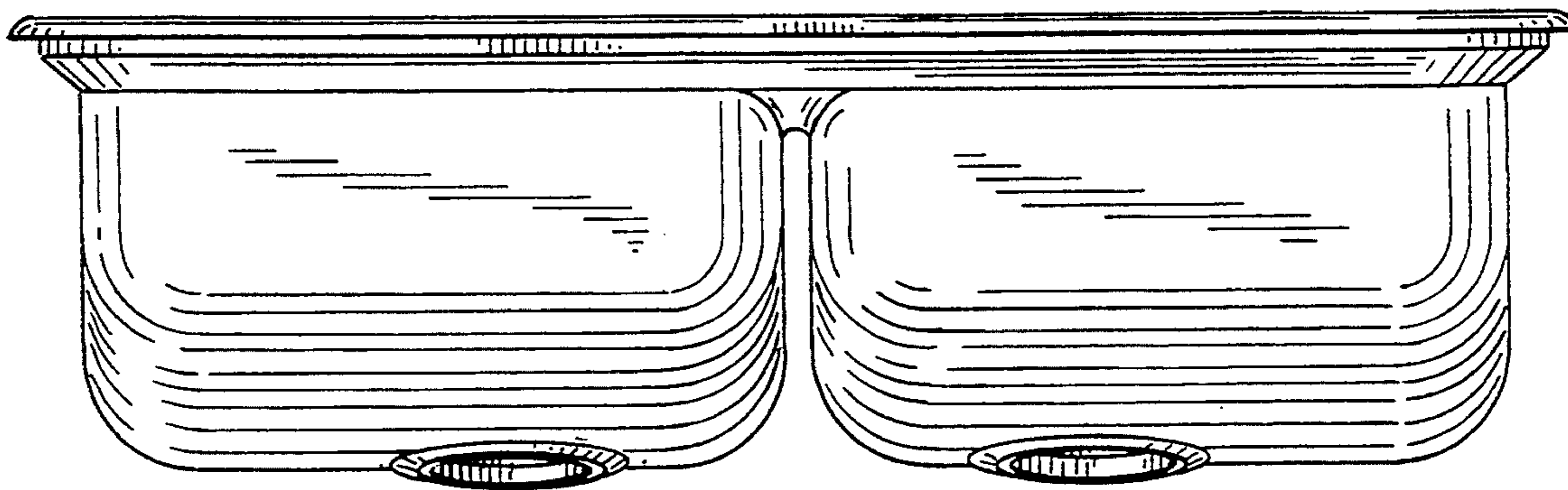


Fig. 6

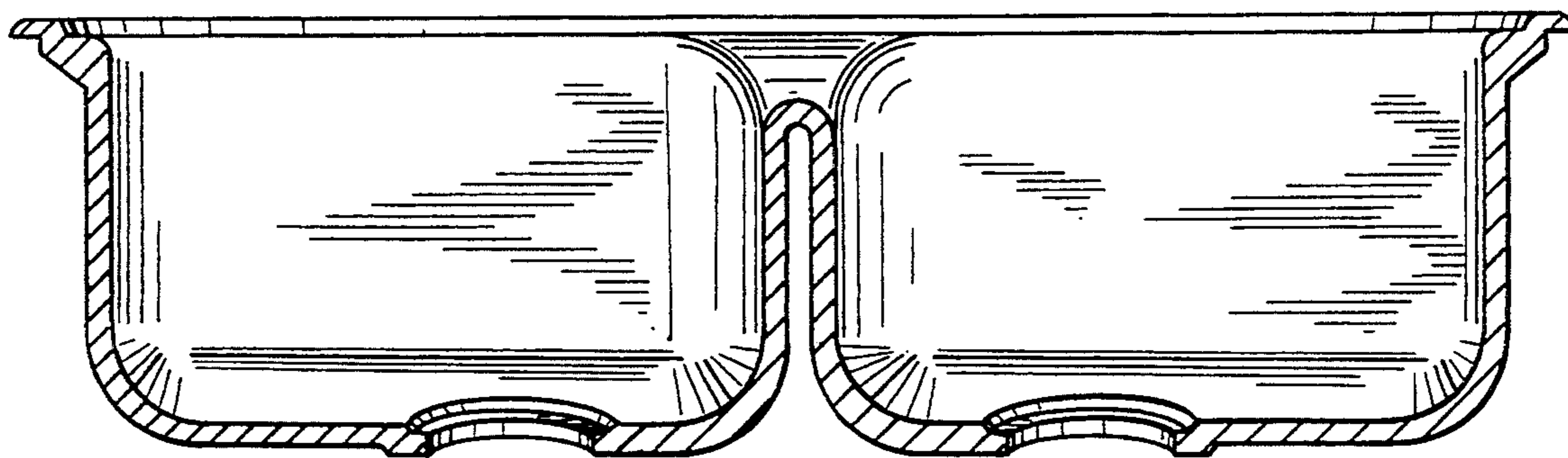


Fig. 7

