



US00D352768S

# United States Patent [19] Paul

[11] Patent Number: **Des. 352,768**  
[45] Date of Patent: **\*\* Nov. 22, 1994**

[54] SPOUT  
[76] Inventor: **Stanley M. Paul, 214 Bedford Rd.,  
Greenwich, Conn. 06931**  
[\*\*] Term: **14 Years**  
[21] Appl. No.: **4,949**  
[22] Filed: **Feb. 17, 1993**  
[52] U.S. Cl. .... **D23/257**  
[58] Field of Search ..... **4/675-678;  
137/801; D23/238-243, 255-257**

D. 301,056 5/1989 Paul ..... D23/242  
D. 301,275 5/1989 Paul ..... D23/242  
D. 303,284 9/1989 Paul ..... D23/242  
D. 325,773 4/1992 Paul ..... D23/255  
D. 342,777 12/1993 Paul ..... D23/257

*Primary Examiner*—James R. Largen  
*Attorney, Agent, or Firm*—Darby & Darby

### [57] CLAIM

The ornamental design for a spout, as shown and described.

### DESCRIPTION

FIG. 1 is a top perspective view of a spout showing my new design;  
FIG. 2 is a top plan view thereof;  
FIG. 3 is a left side elevational view thereof, the right side being a mirror image of the left side;  
FIG. 4 is a front elevational view thereof;  
FIG. 5 is a rear elevational view thereof; and,  
FIG. 6 is a bottom plan view thereof.

[56] **References Cited**  
**U.S. PATENT DOCUMENTS**  
D. 278,458 4/1985 Paul ..... D23/242  
D. 287,160 12/1986 Rademacher ..... D23/242  
D. 290,159 6/1987 Jans ..... D23/242  
D. 290,869 7/1987 Paul ..... D23/242  
D. 290,871 7/1987 Paul ..... D23/242  
D. 297,969 10/1988 Paul ..... D23/242

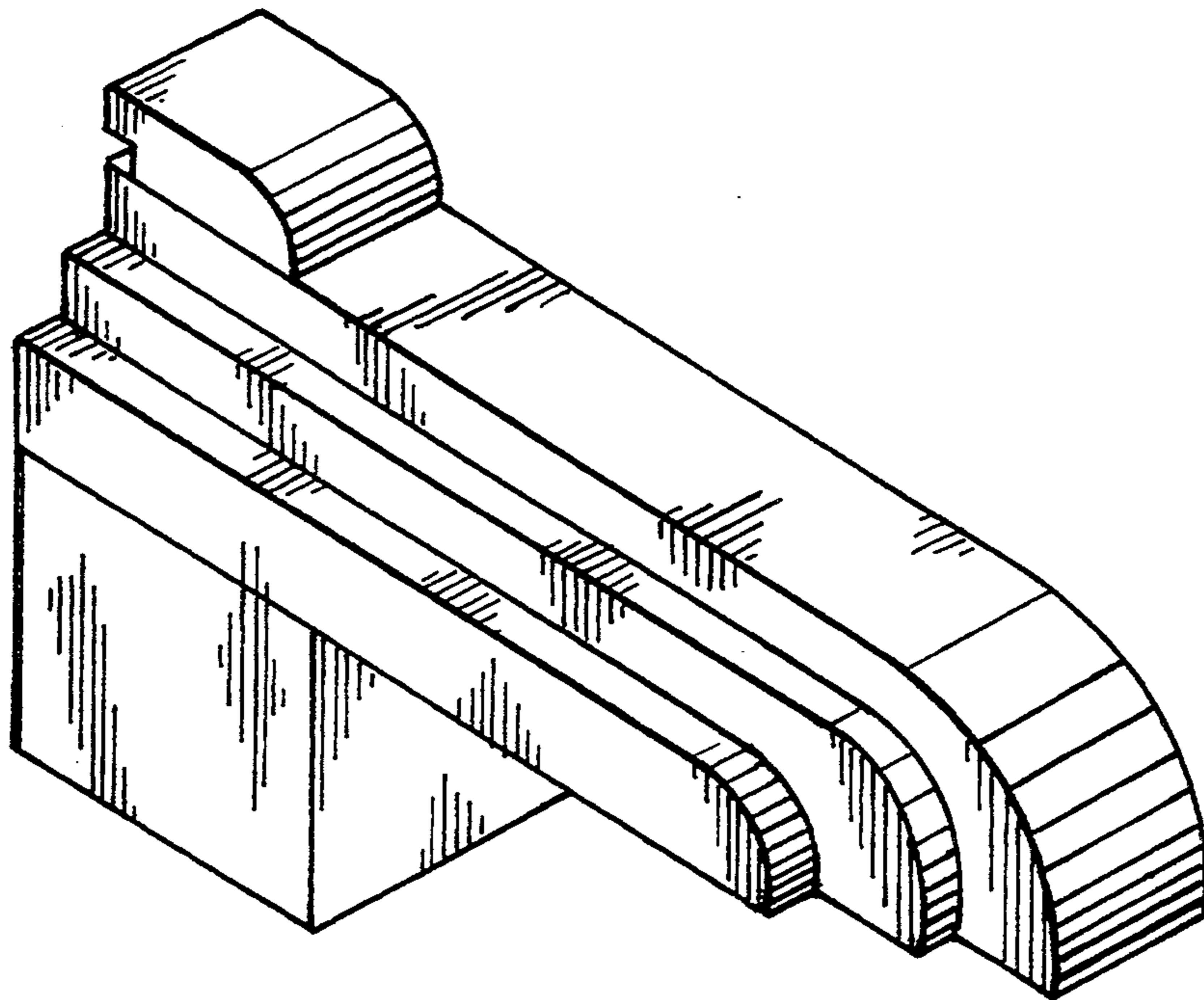


FIG. 1

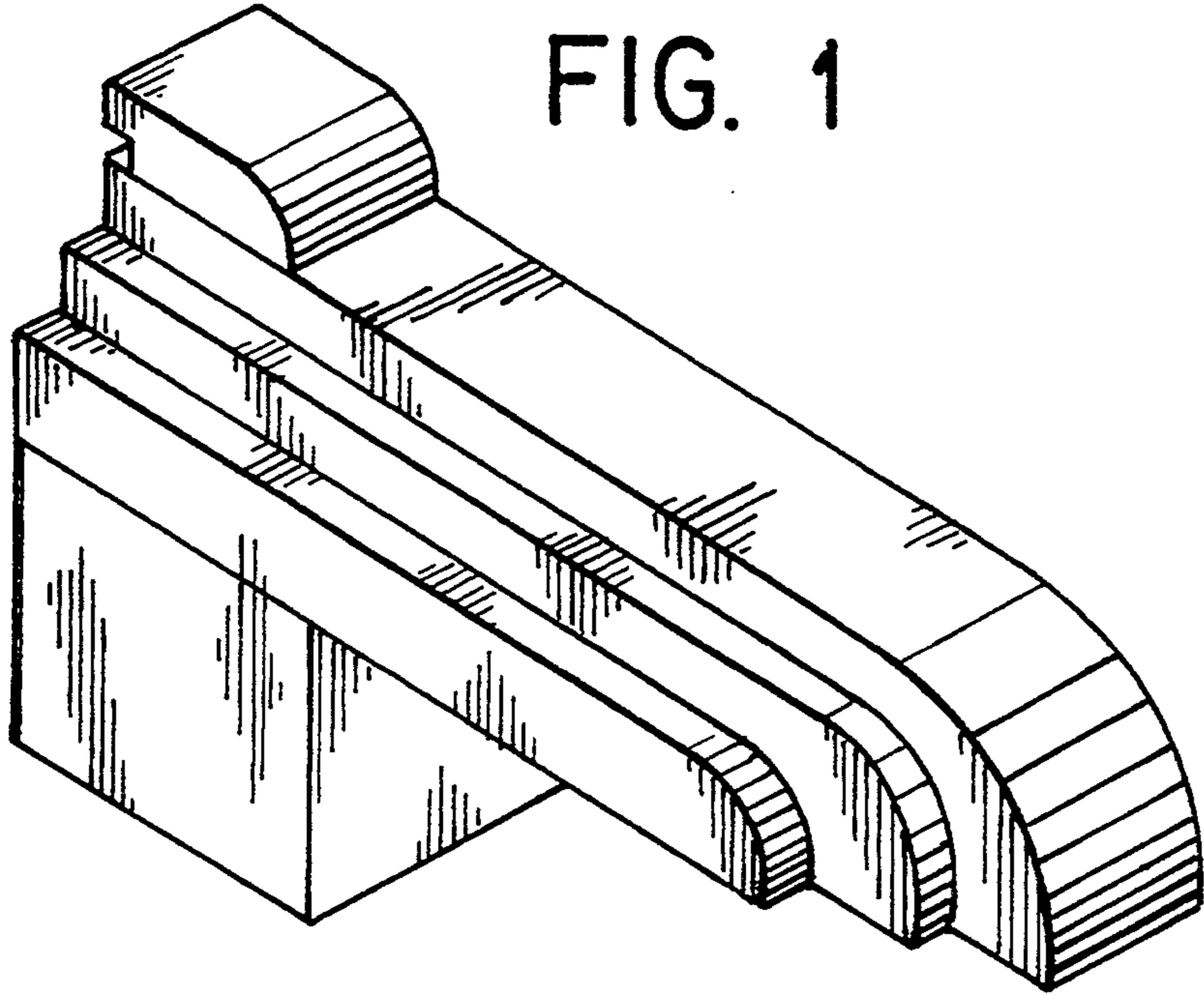


FIG. 2

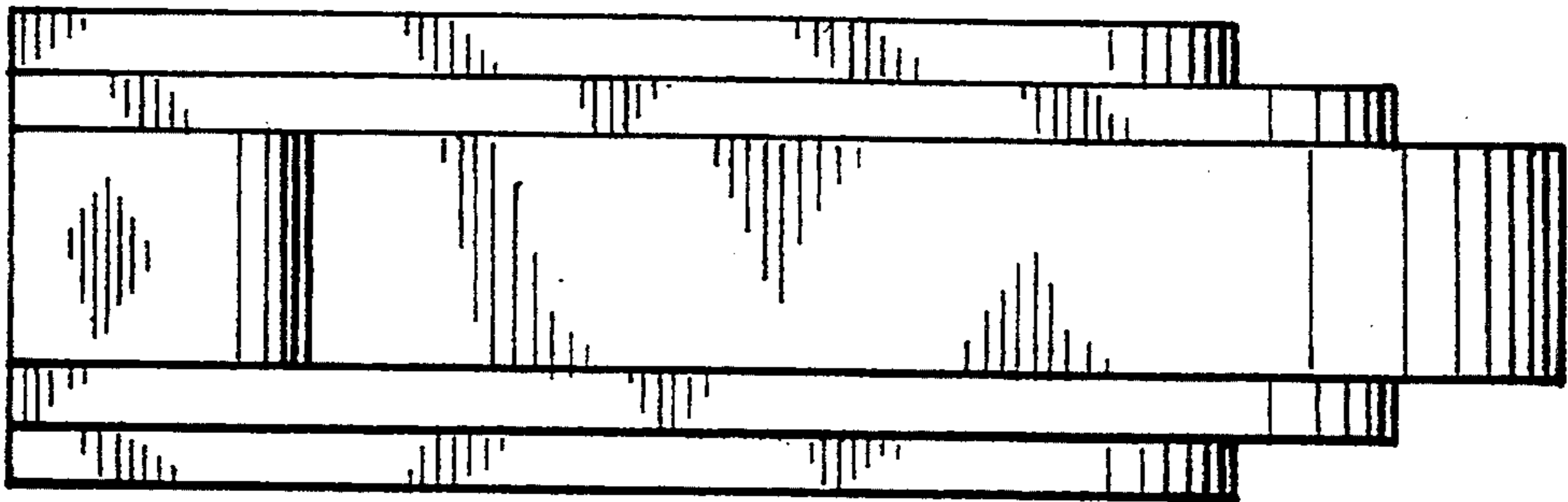


FIG. 3

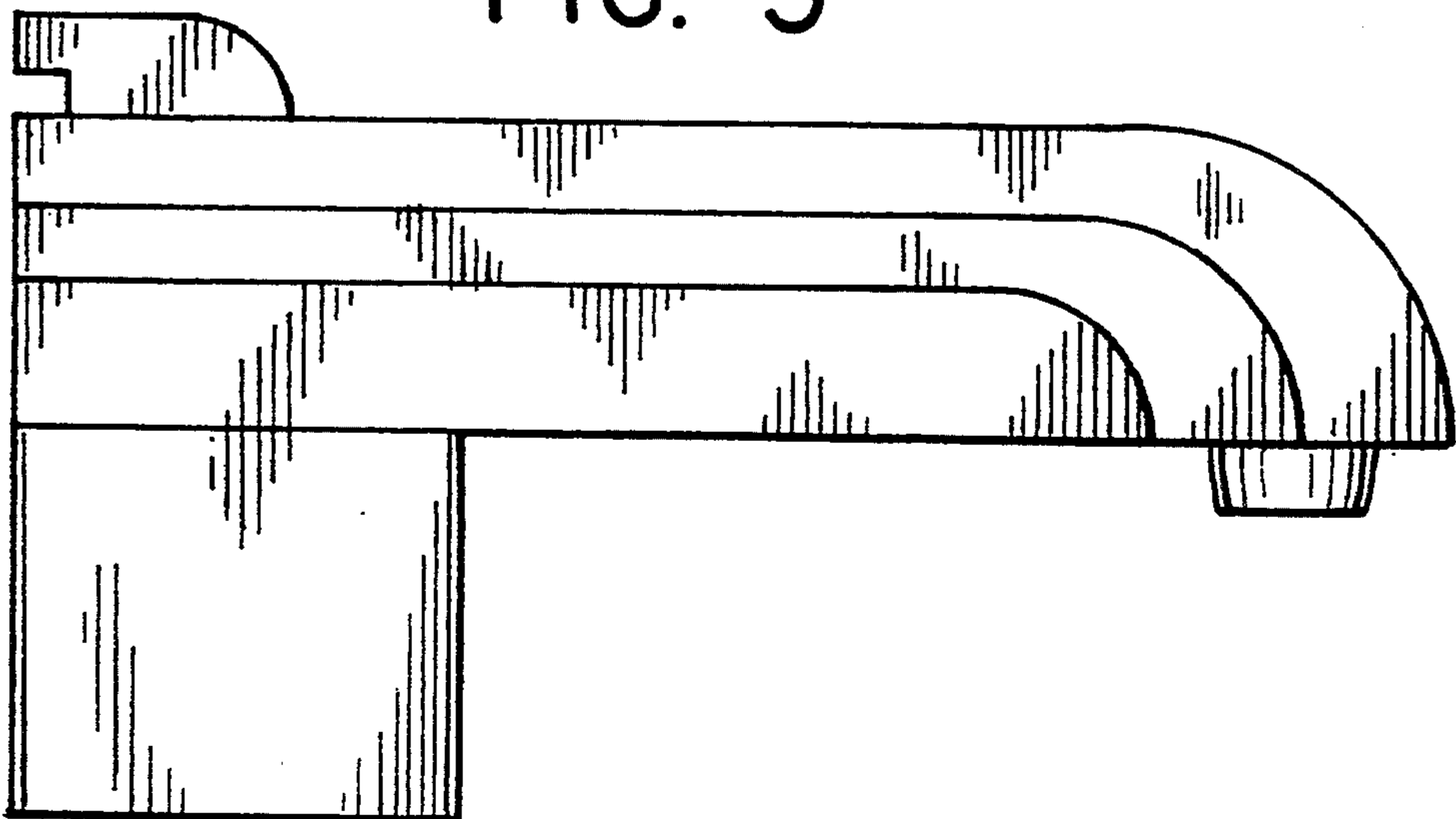


FIG. 4

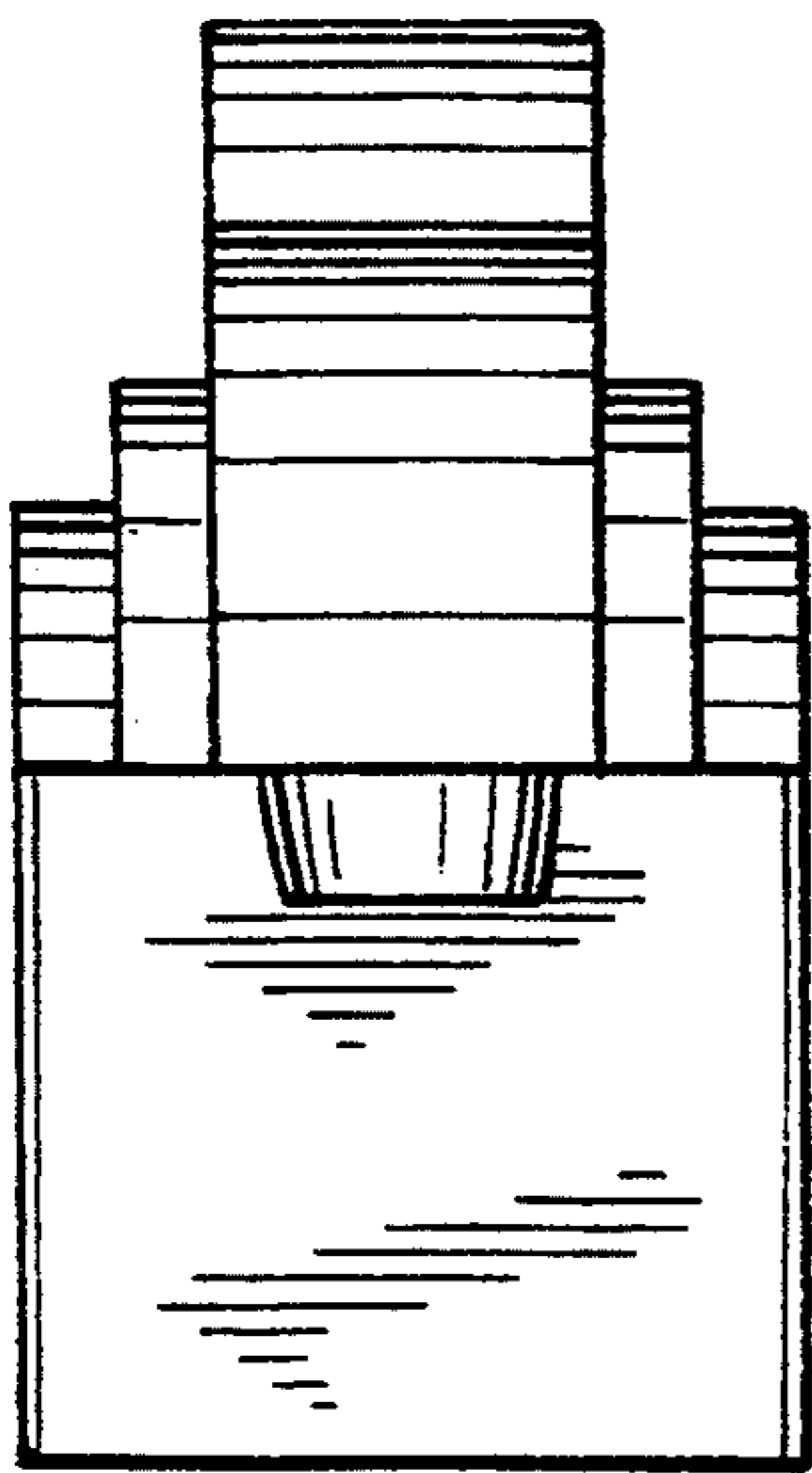


FIG. 5

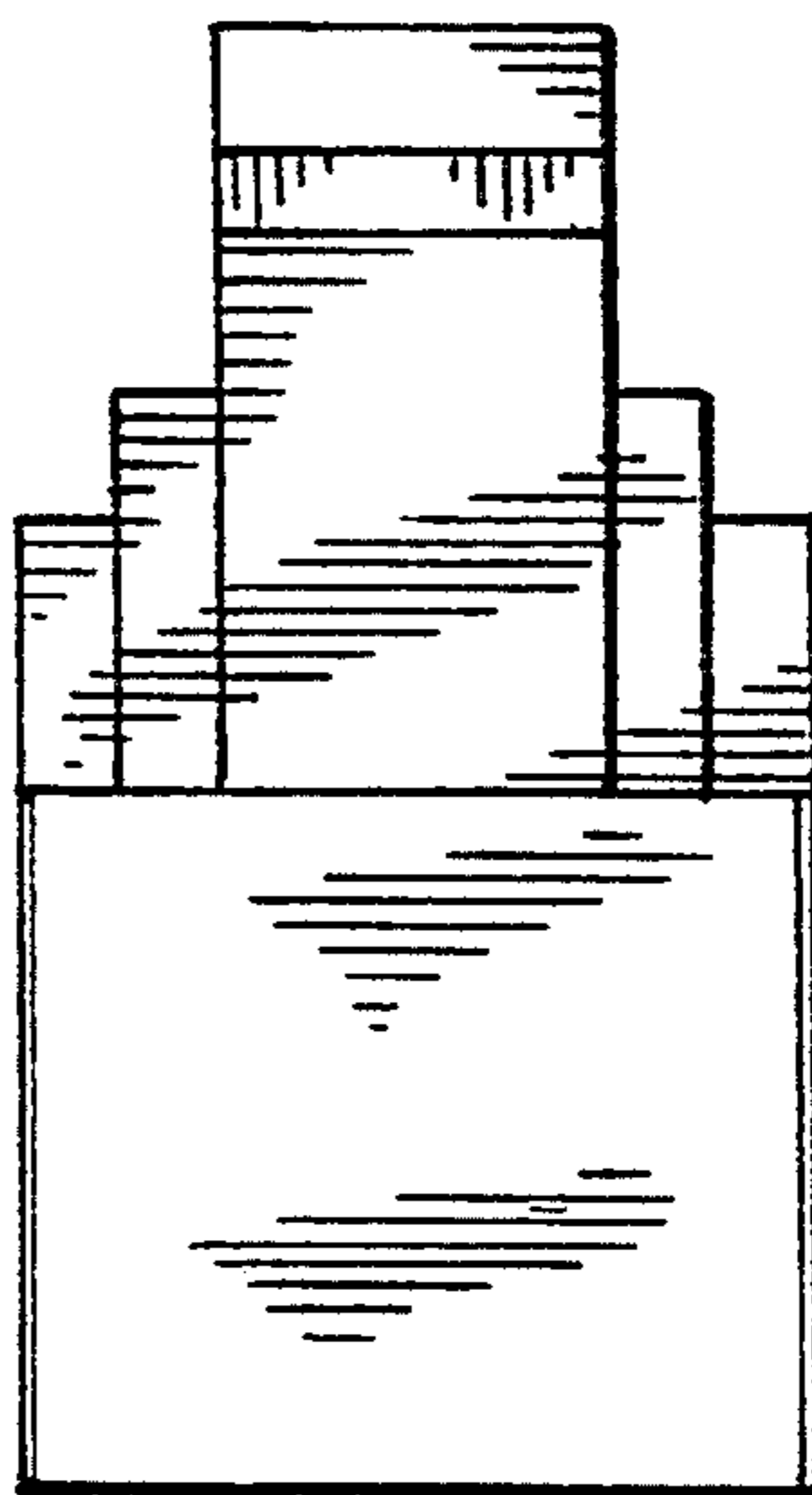


FIG. 6

