



US00D352767S

United States Patent [19] McKeone

[11] Patent Number: **Des. 352,767**

[45] Date of Patent: **** Nov. 22, 1994**

[54] **HANDLE FOR PLUMBING FITTING**

[75] Inventor: **William C. McKeone**, Sheboygan, Wis.

[73] Assignee: **Kohler Co.**, Kohler, Wis.

[**] Term: **14 Years**

[21] Appl. No.: **7,386**

[22] Filed: **Jan. 21, 1993**

Related U.S. Application Data

[63] Continuation-in-part of Ser. No. 824,500, Jan. 22, 1992, abandoned.

[52] U.S. Cl. **D23/252**

[58] Field of Search **D8/300, 307-320; 16/110 R, 118, 121; D23/238-243, 250-254**

[56] References Cited

U.S. PATENT DOCUMENTS

D. 99,251	4/1936	Tjaarda	D23/252
D. 271,514	11/1983	Paul	D23/242
D. 279,213	6/1985	Paul	D23/242
D. 290,869	7/1987	Paul	D23/242
D. 290,870	7/1987	Paul	D23/242
D. 299,159	12/1988	Arnolds	D23/242
D. 301,053	5/1989	Rodstien	D23/242
D. 308,718	6/1990	Strignano	D23/242
D. 313,065	12/1990	Strignano	D23/242
D. 316,291	4/1991	Rzaumov	D23/242
D. 325,426	4/1992	Paul	D23/252

OTHER PUBLICATIONS

Undated Kohler ad for Emperor Lapidary fixtures, admitted prior art.

Undated Jacob Delafon ad showing the Mitigeur Lavabo, admitted prior art.

Undated Andre Collection ad for Sphinx fixtures, admitted prior art.

Page 8 of ad for Triamid fixtures, admitted prior art.

Primary Examiner—James R. Largen
Attorney, Agent, or Firm—Quarles & Brady

[57] CLAIM

The ornamental design for a handle for a plumbing fitting, as shown and described.

DESCRIPTION

FIG. 1 is a perspective view taken from the top, front and right side of a handle for a plumbing fitting employing my new design;

FIG. 2 is a front elevational view thereof, the rear view being the mirror image of the front;

FIG. 3 is a top plan view thereof;

FIG. 4 is a right side elevational view thereof;

FIG. 5 is a left side elevational view thereof;

FIG. 6 is a perspective view taken from the top, front and right side of a second embodiment thereof;

FIG. 7 is a front elevational view of FIG. 6, the rear being a mirror image of the front;

FIG. 8 is a top plan view of FIG. 6;

FIG. 9 is a right side elevational view of FIG. 6;

FIG. 10 is a left side elevational view of FIG. 6;

FIG. 11 is a perspective view taken from the top, front and left side of a third embodiment thereof;

FIG. 12 is a front elevational view of FIG. 11;

FIG. 13 is a right side elevational view of FIG. 11, the side being a mirror image of the right side;

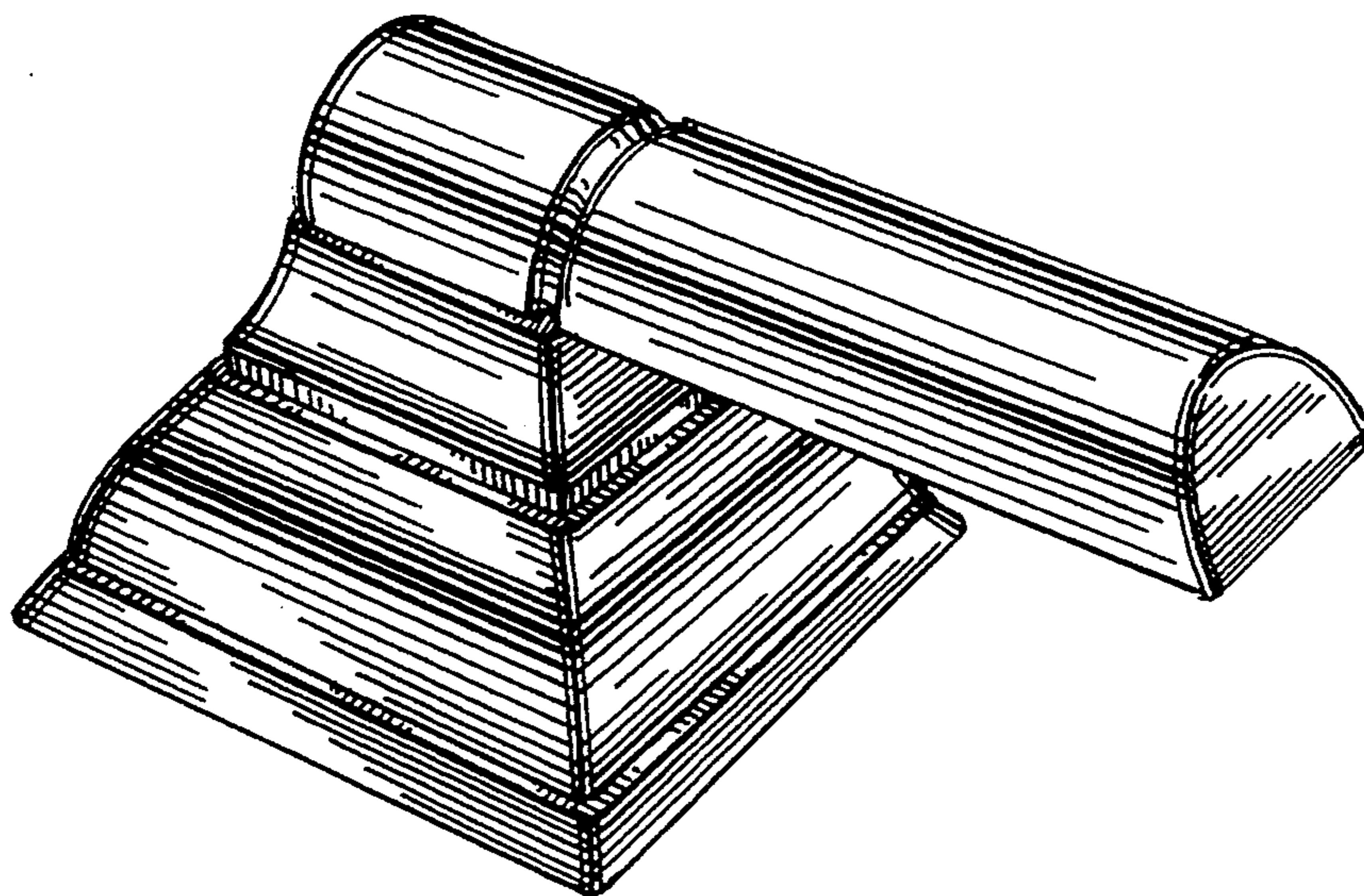
FIG. 14 is a top plan view of FIG. 11;

FIG. 15 is a bottom plan view of FIG. 11;

FIG. 16 is a perspective view taken from the top, front and left side of a fourth embodiment thereof, which is the same as the third embodiment thereof except for the elimination of a notch in the barrel of the handle;

FIG. 17 is a front elevational view of FIG. 16; and,

FIG. 18 is a top plan view of FIG. 16.



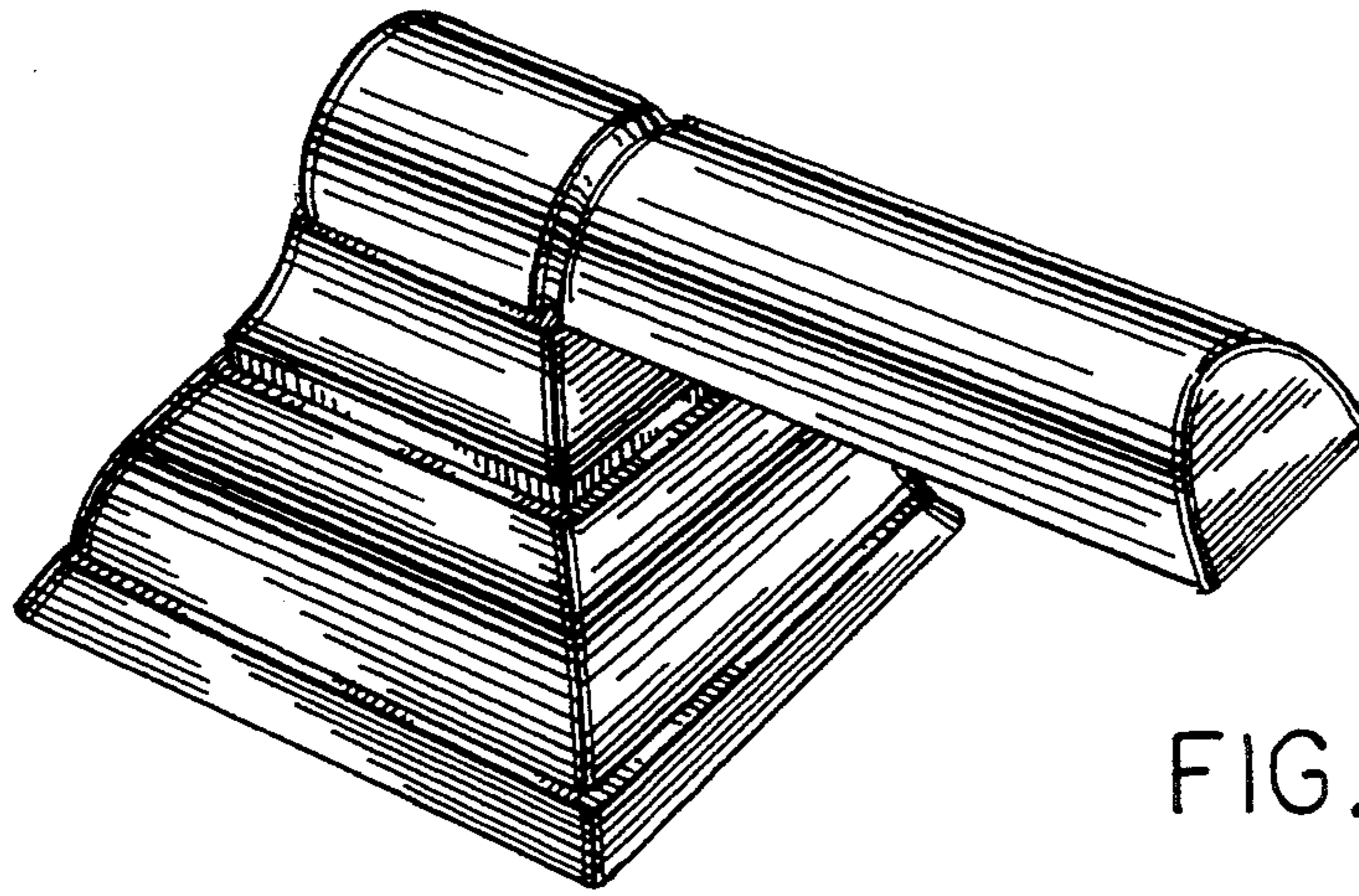


FIG. 1

FIG. 2

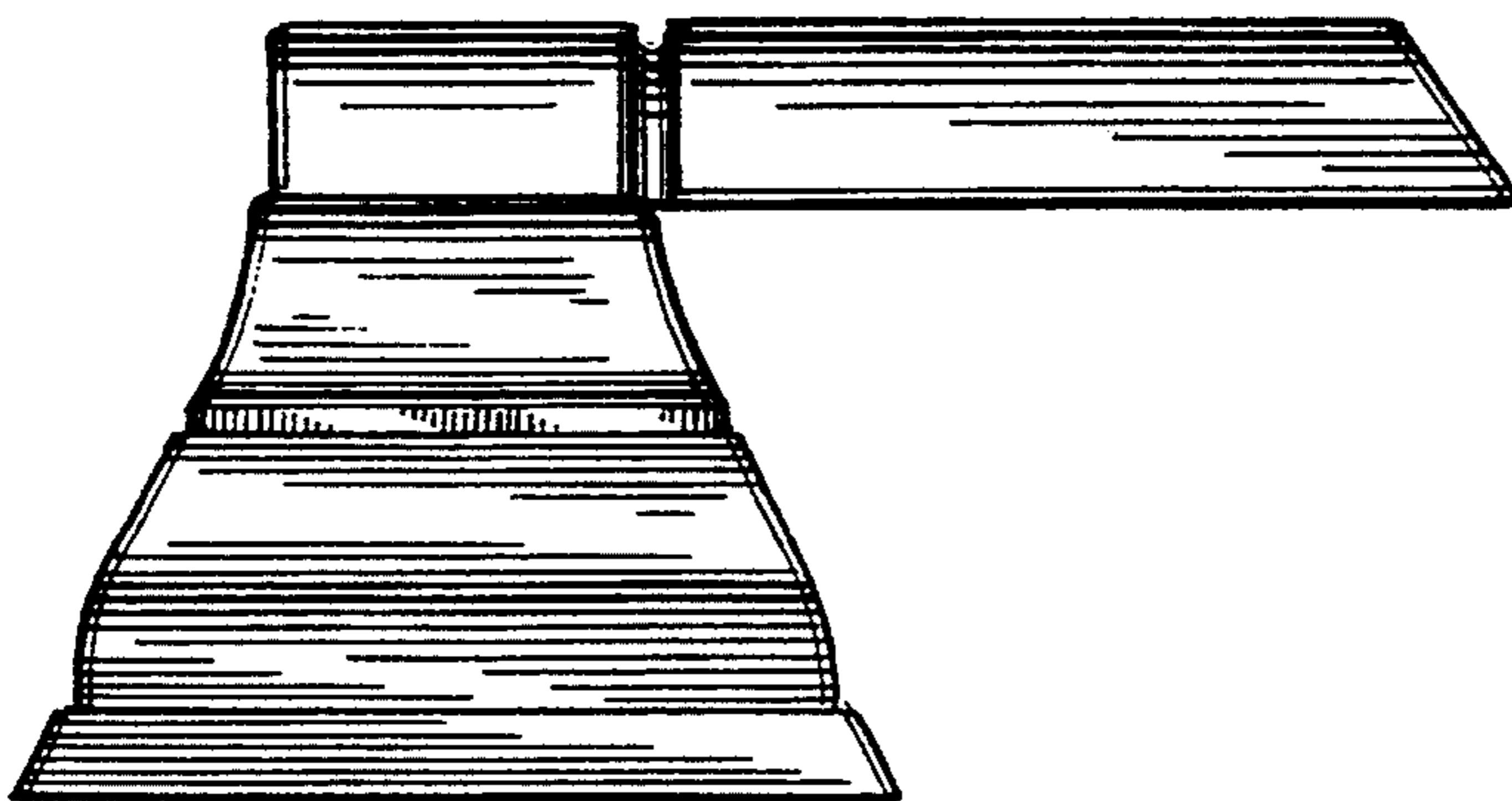


FIG. 3

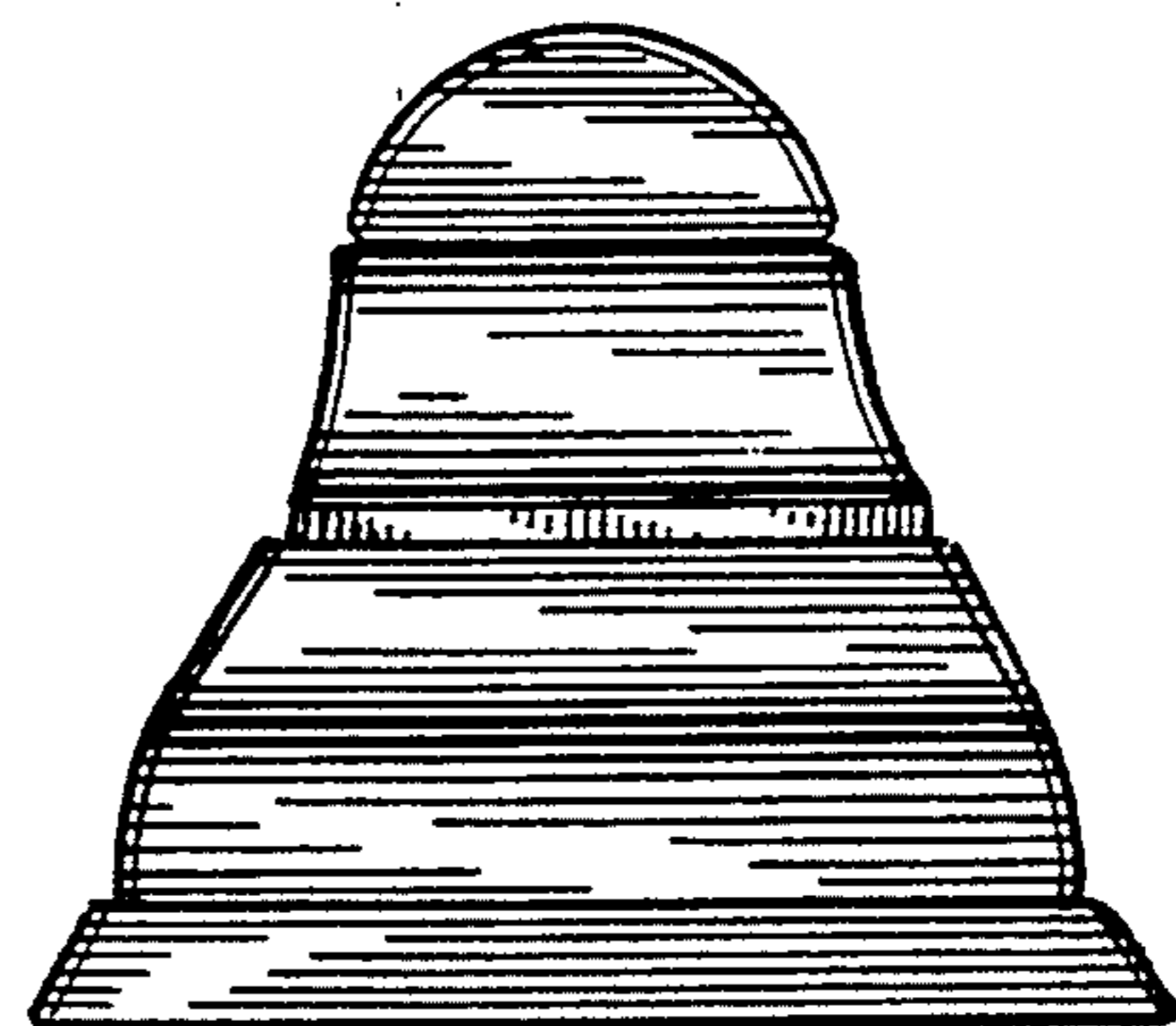
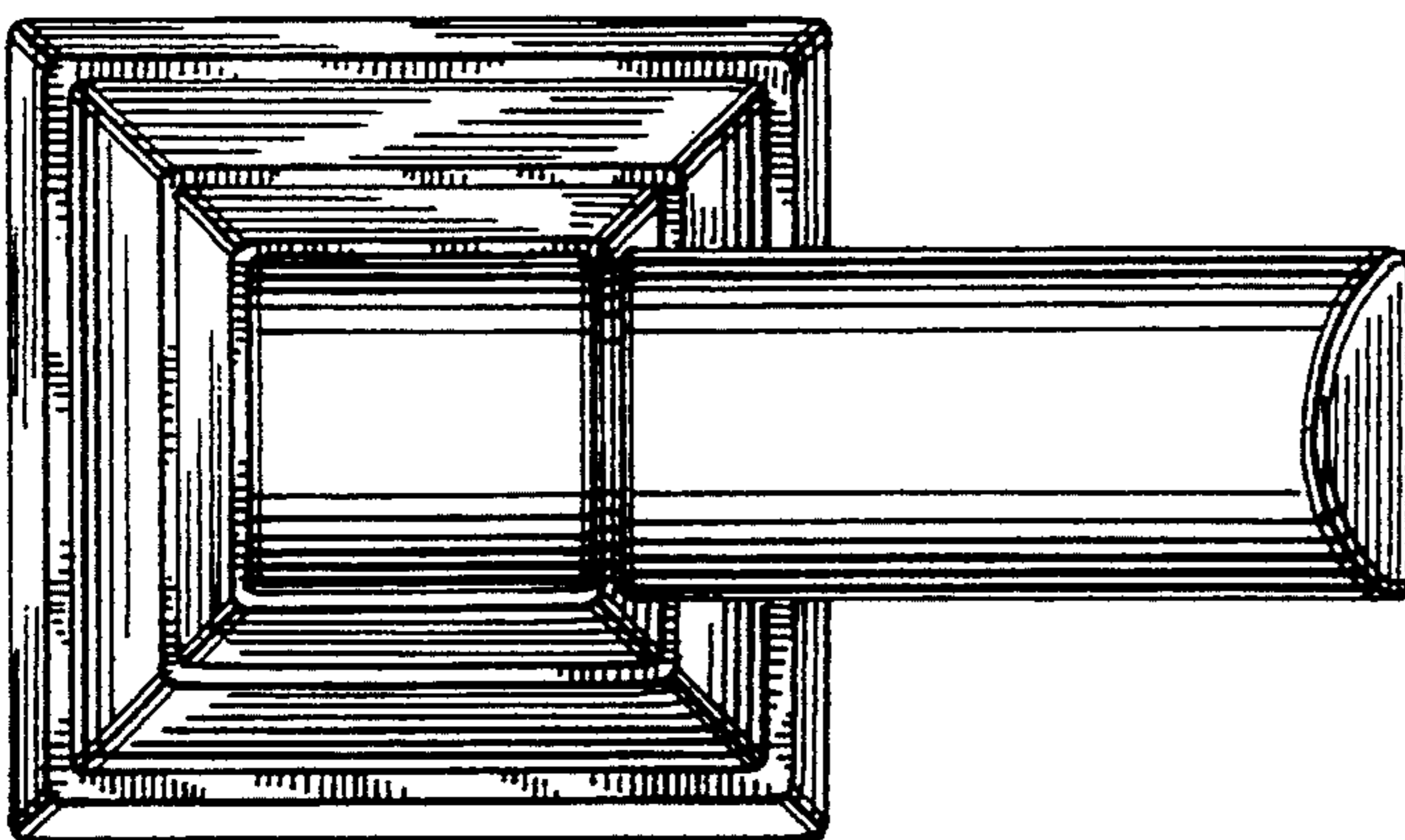


FIG. 4

FIG. 5

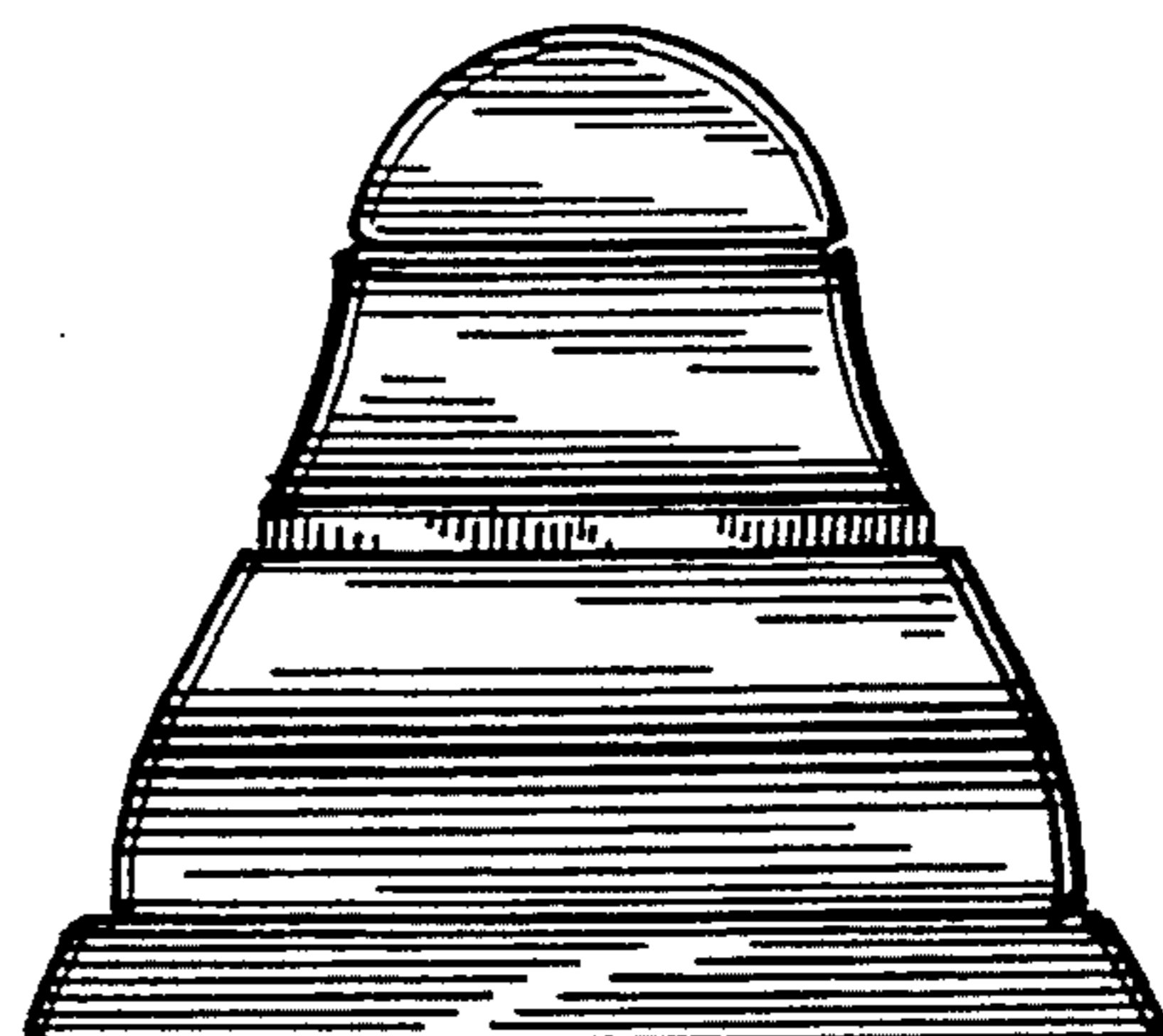


FIG. 6

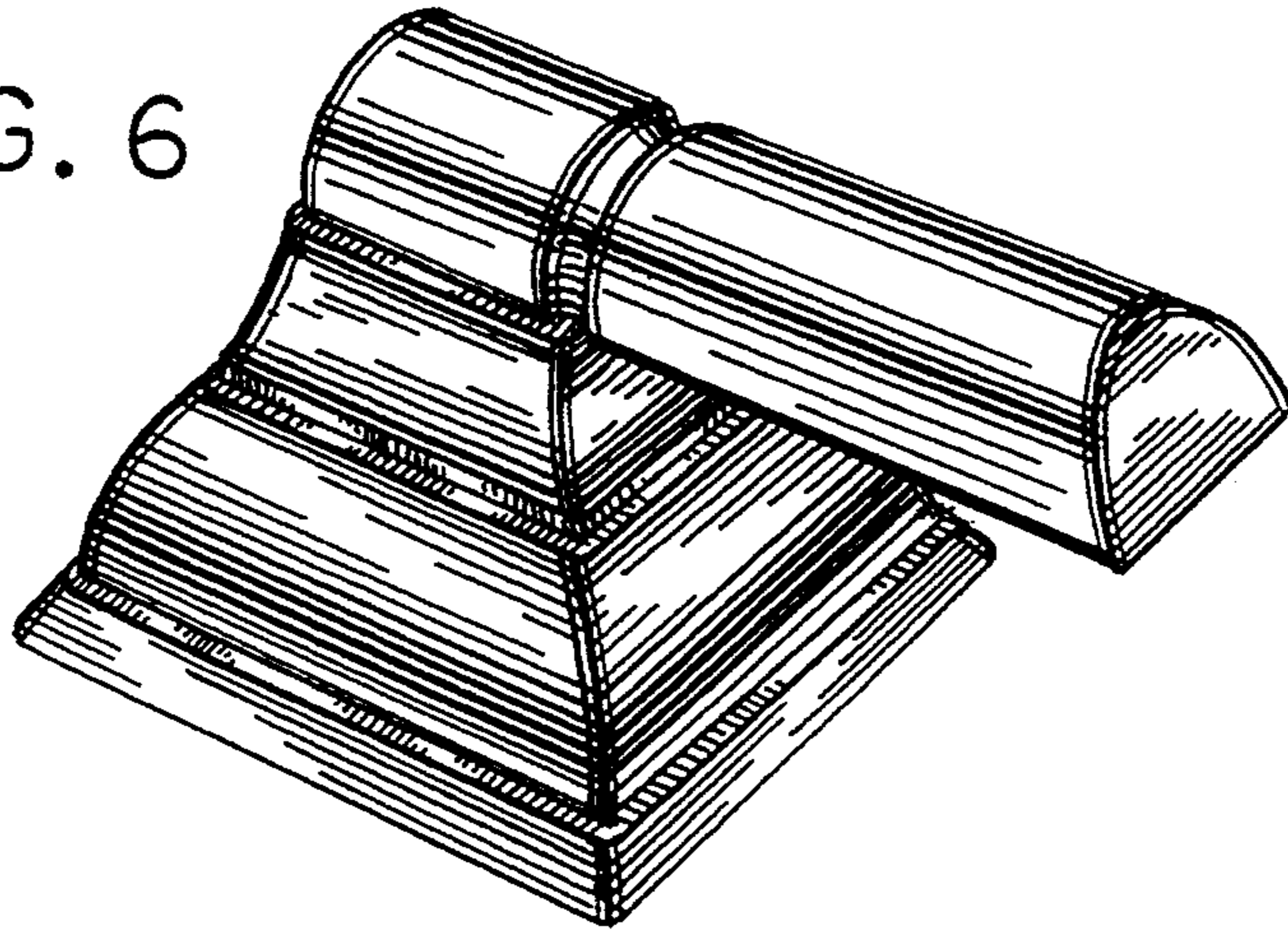


FIG. 7

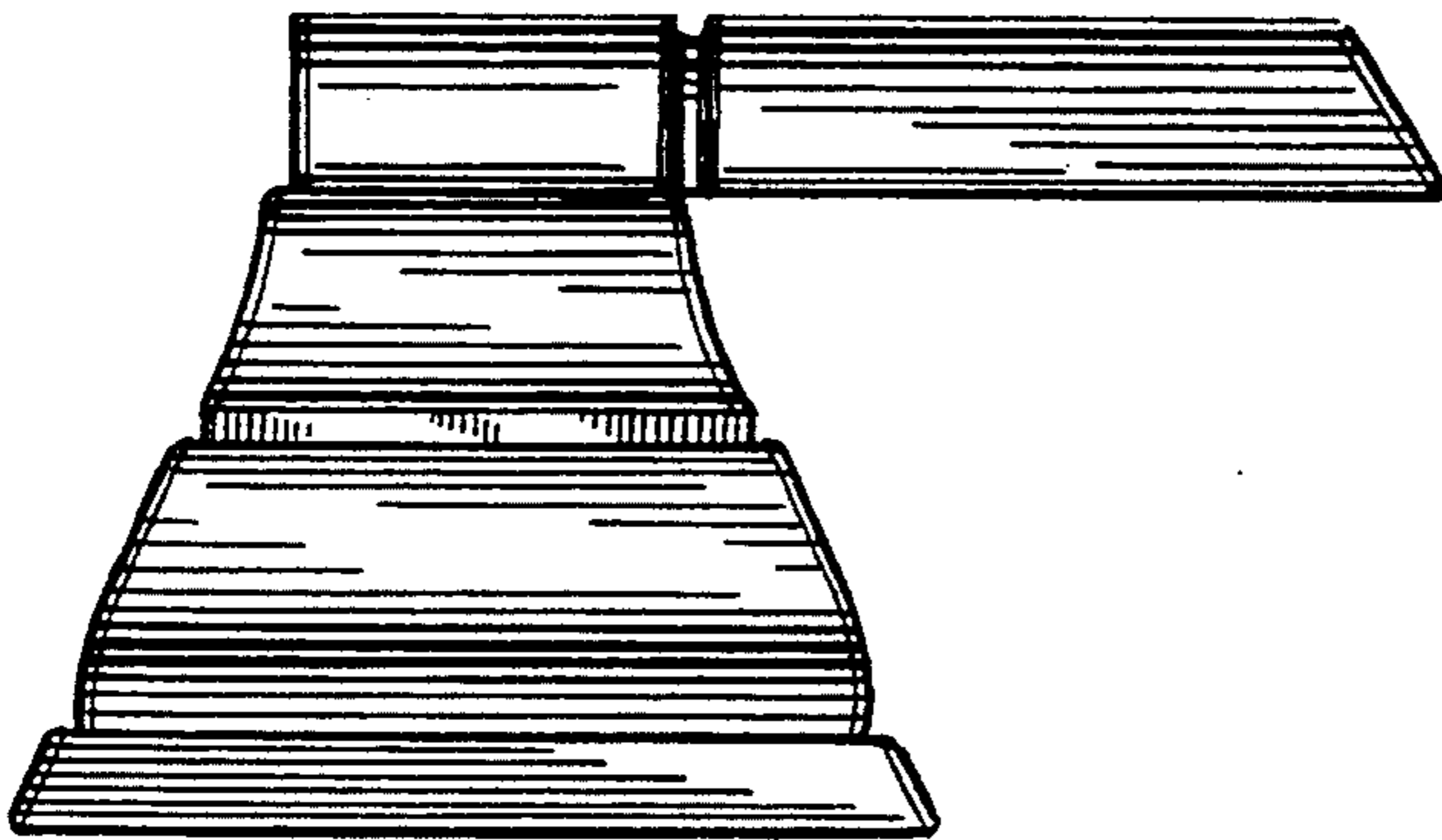


FIG. 9

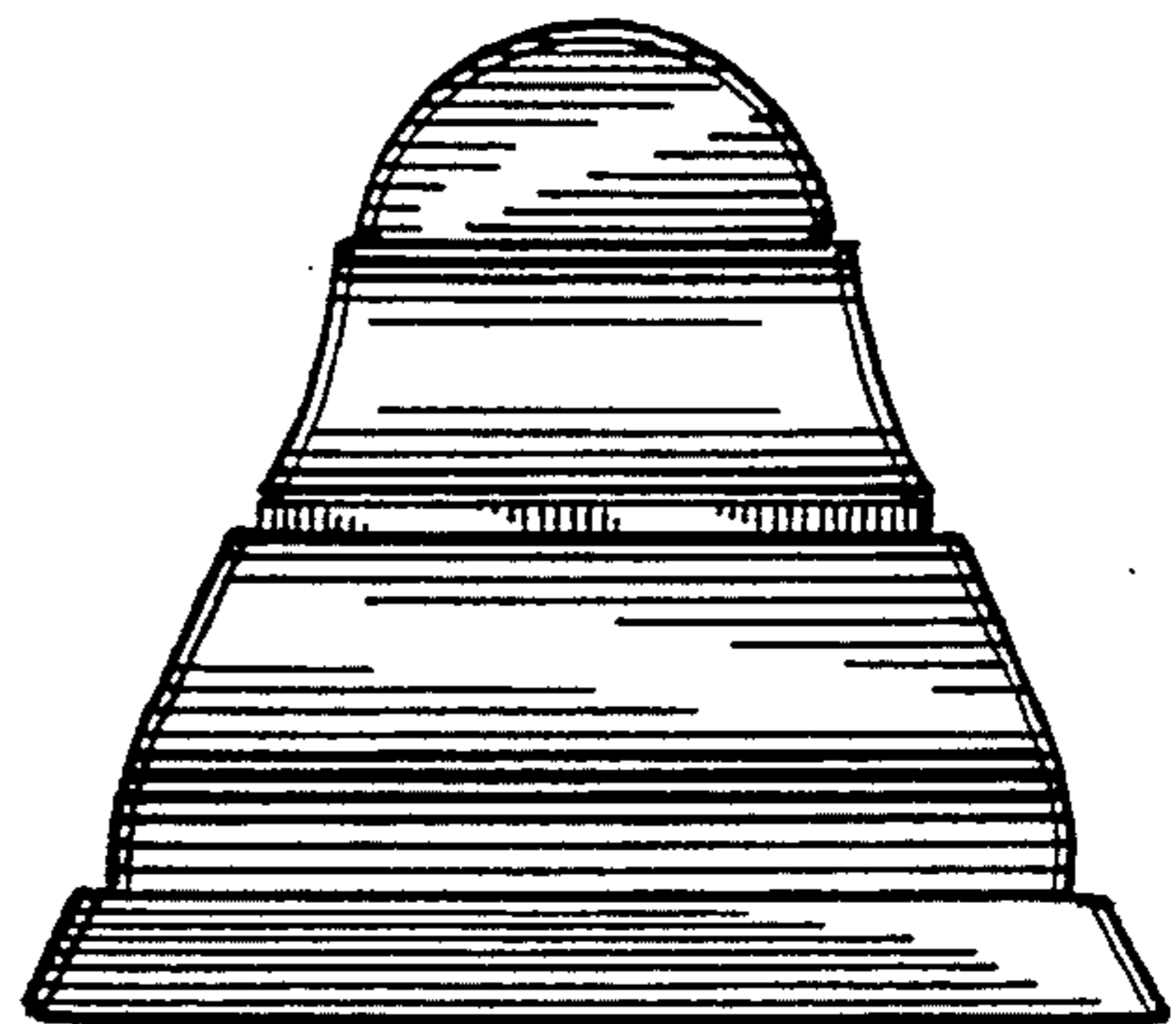


FIG. 8

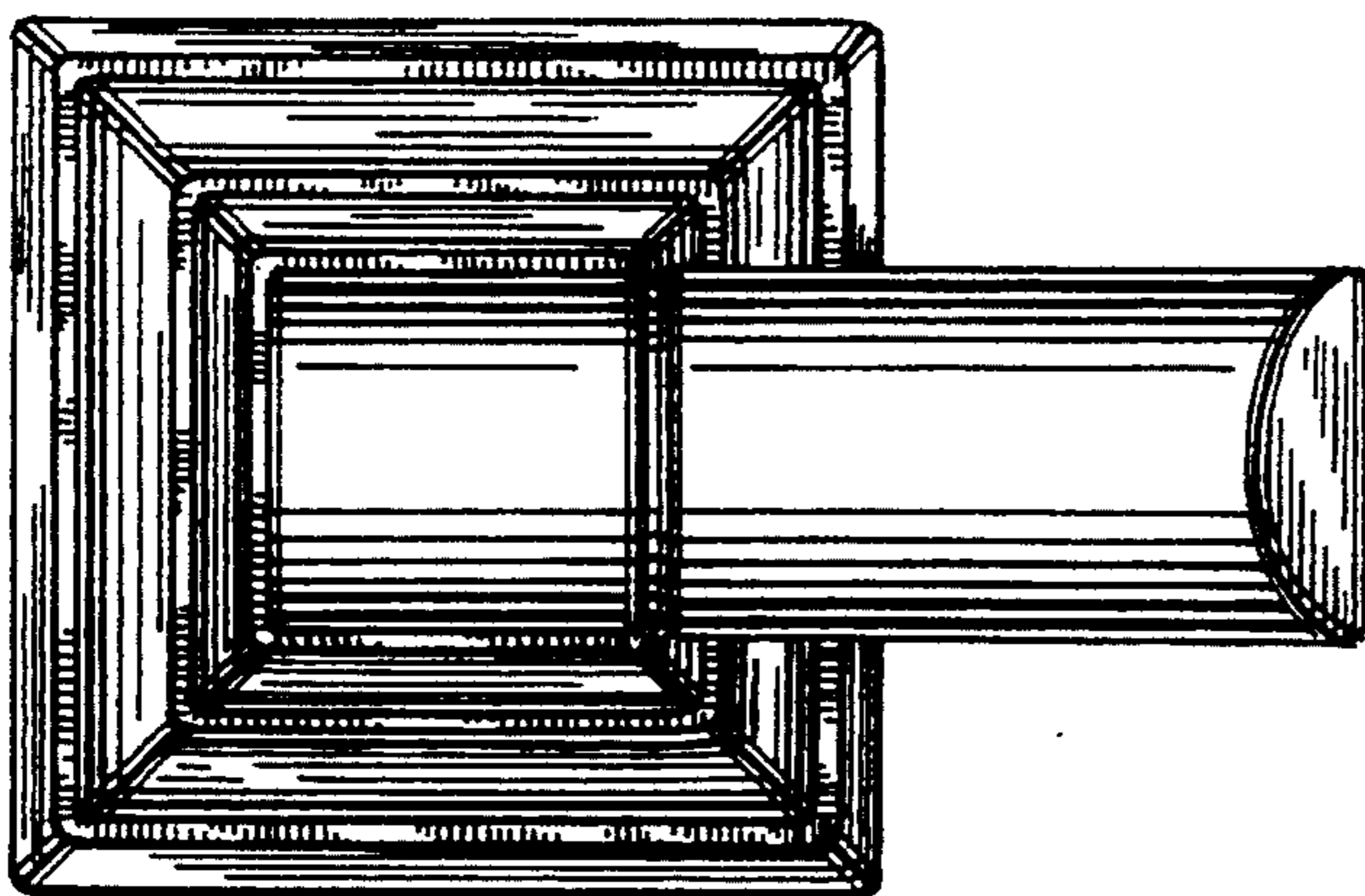
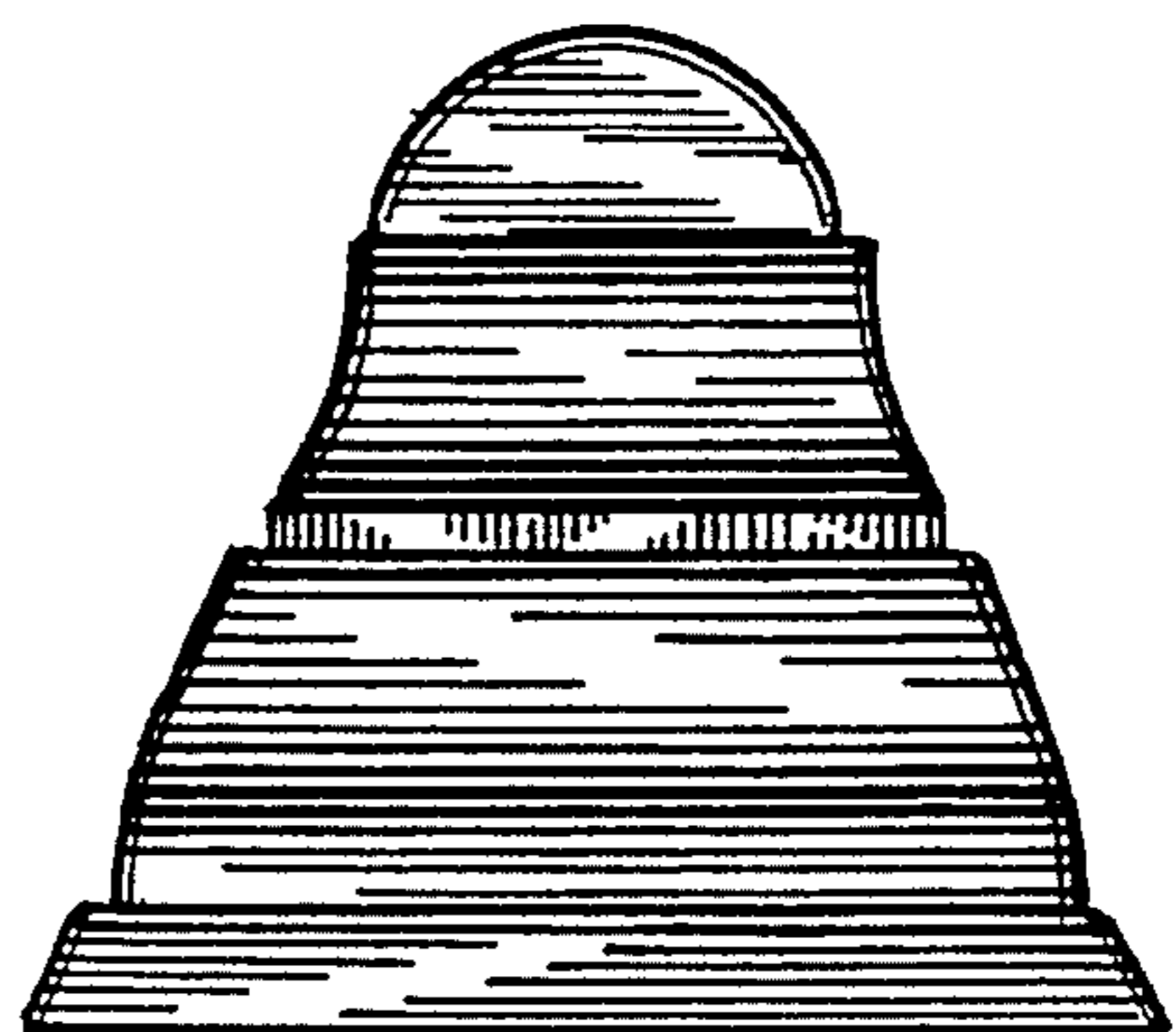


FIG. 10



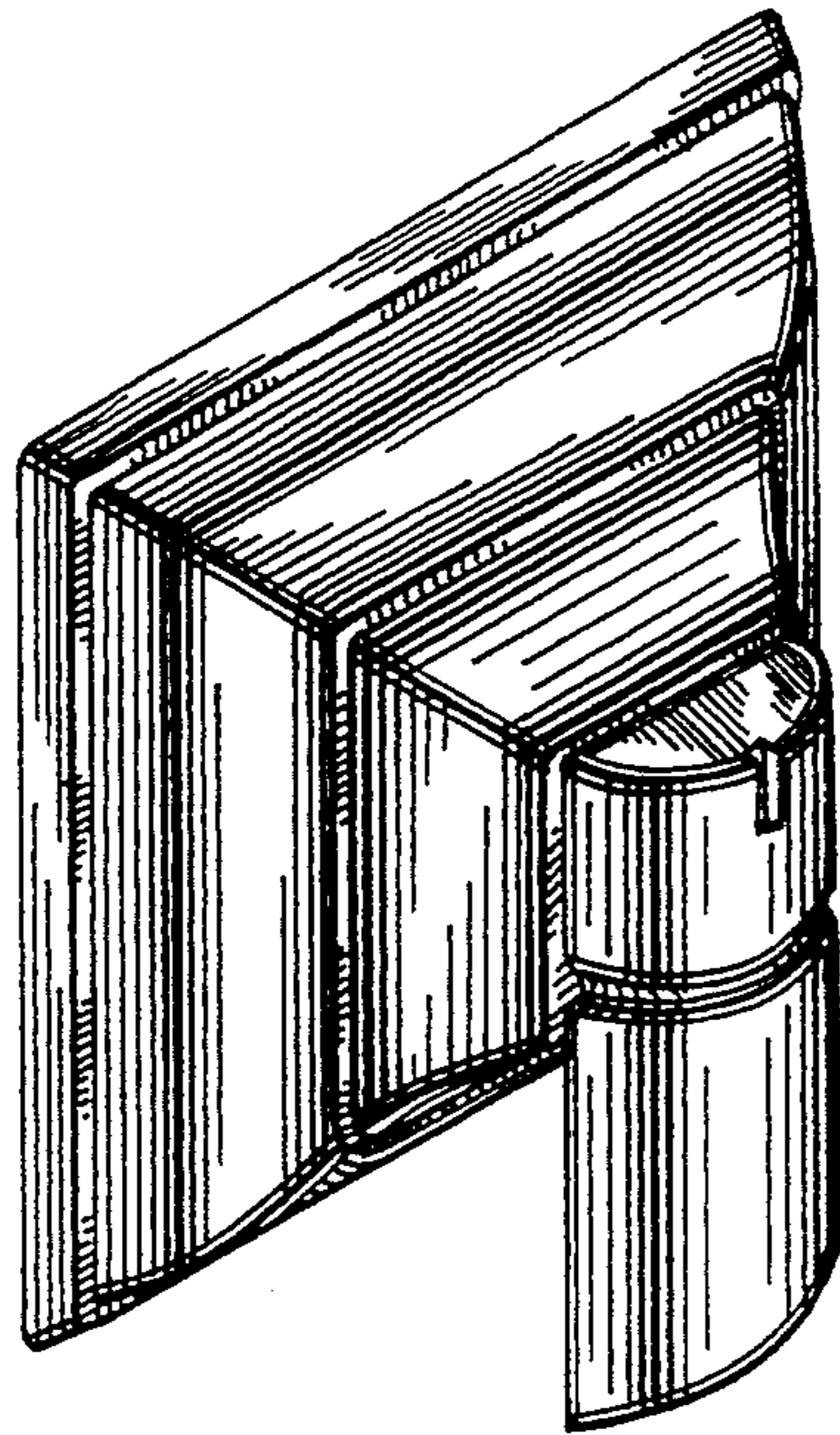


FIG. 11

FIG. 12

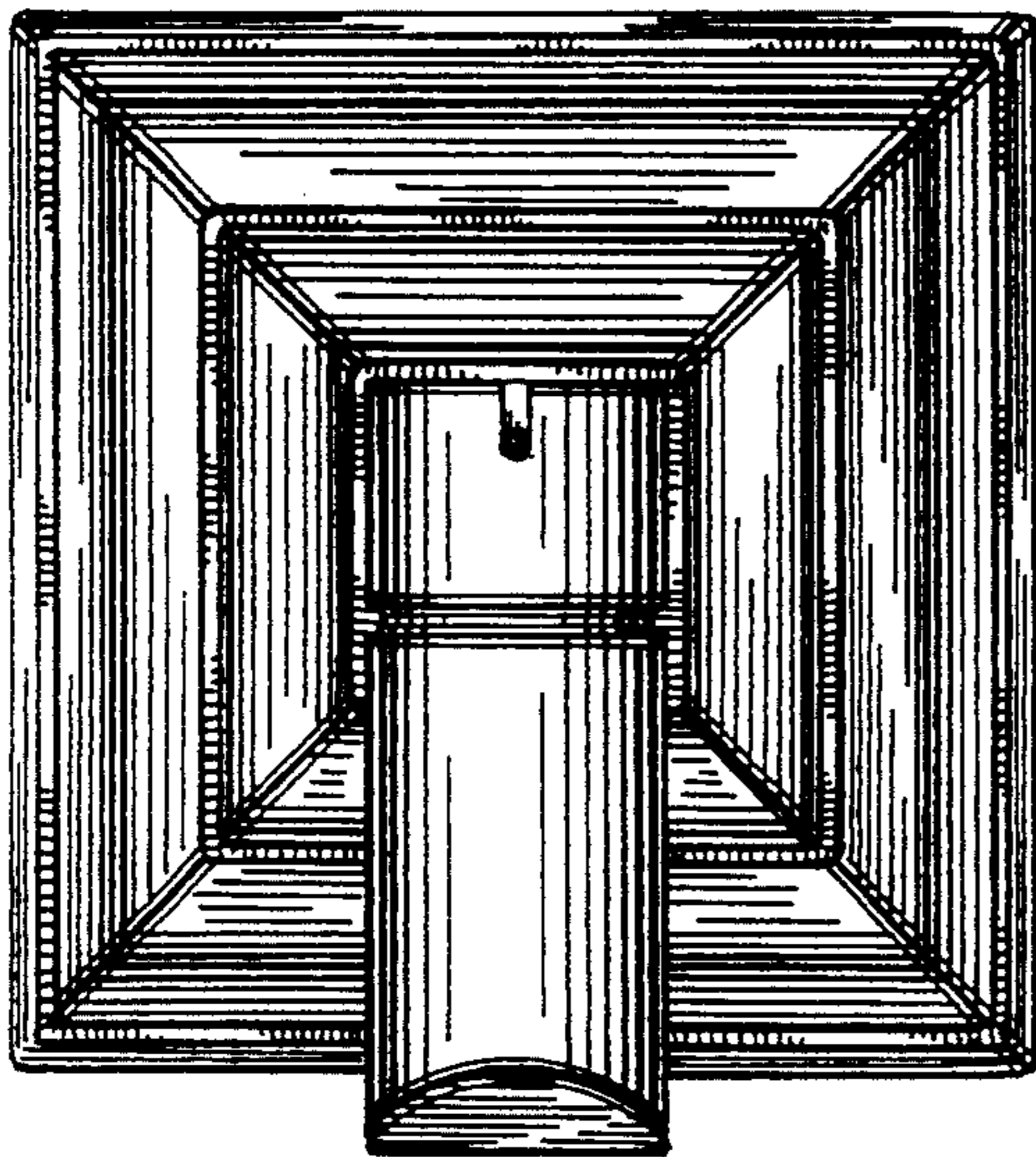


FIG. 13

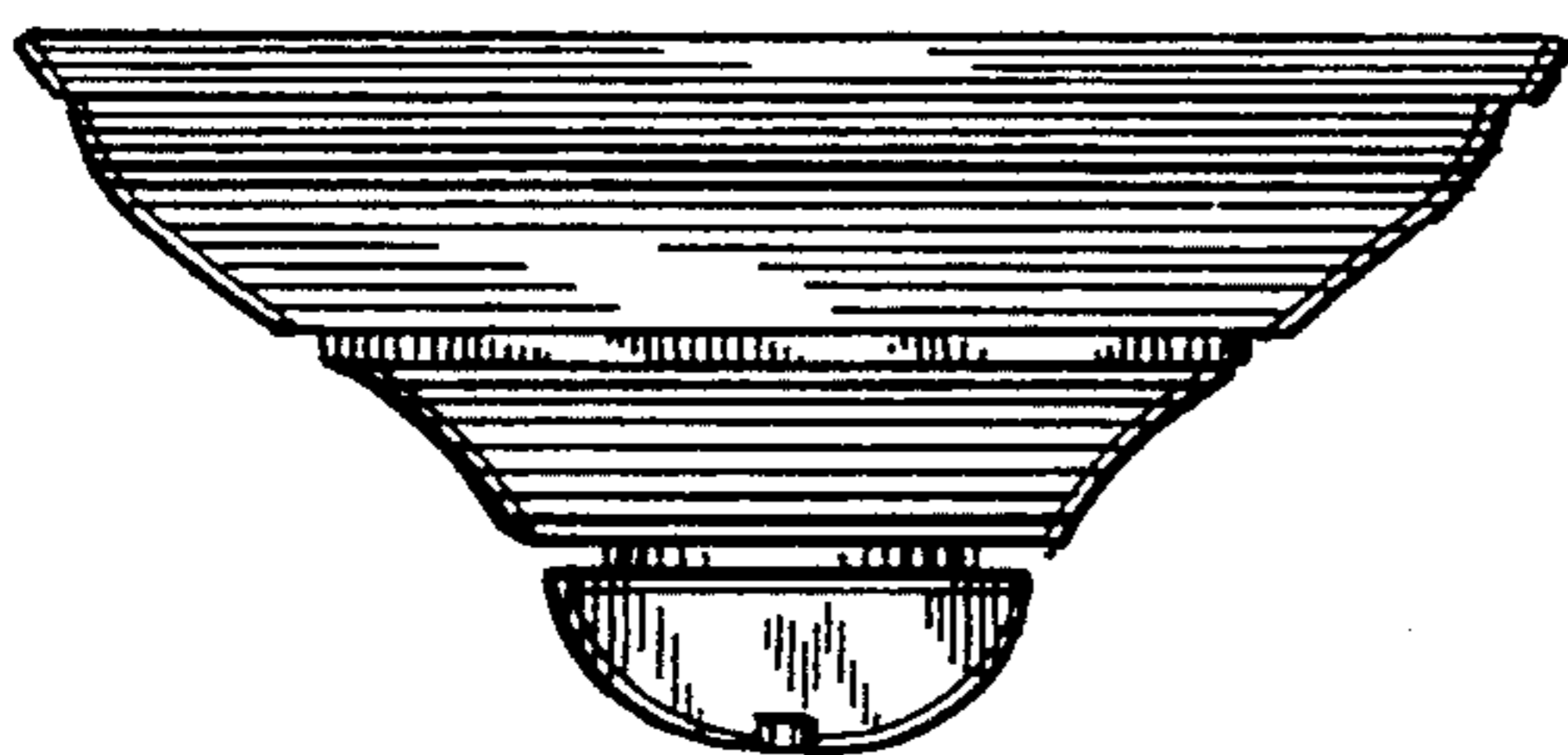
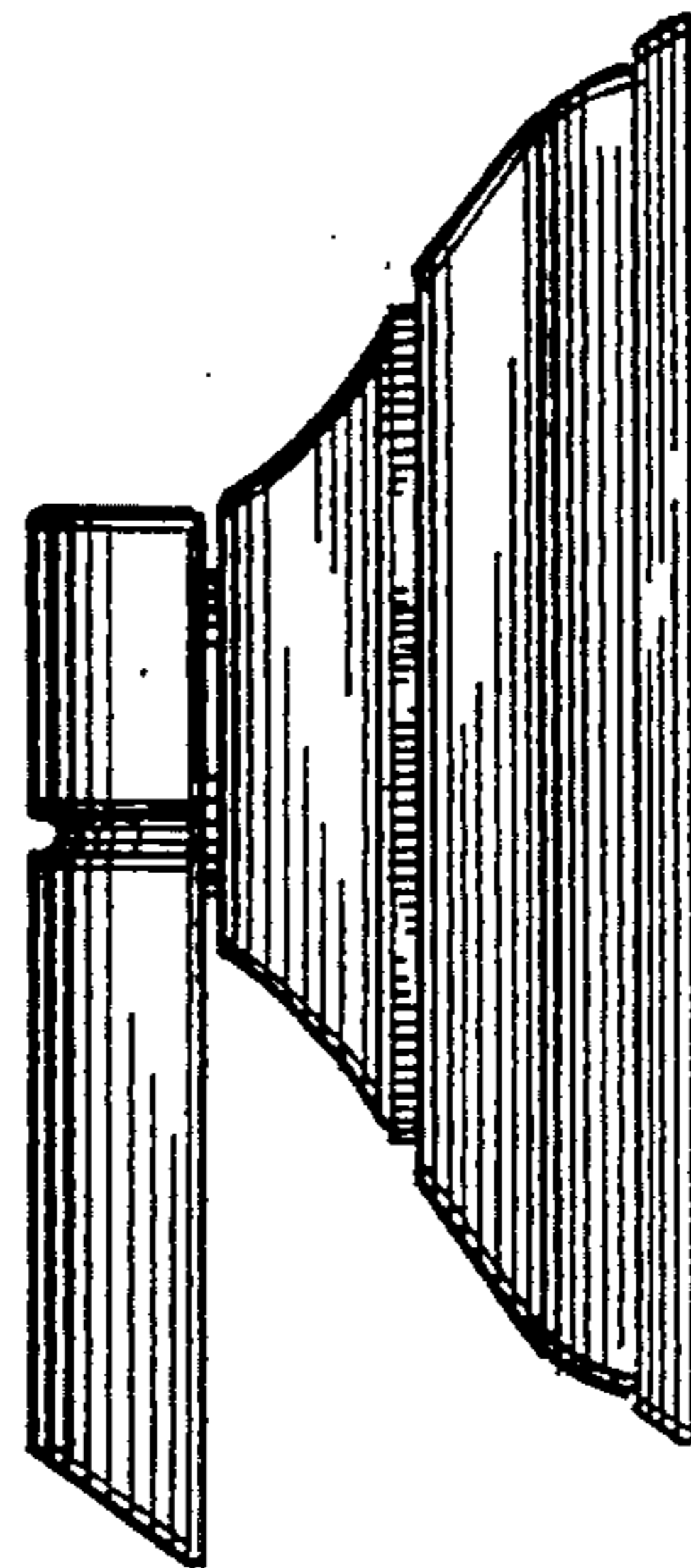


FIG. 14

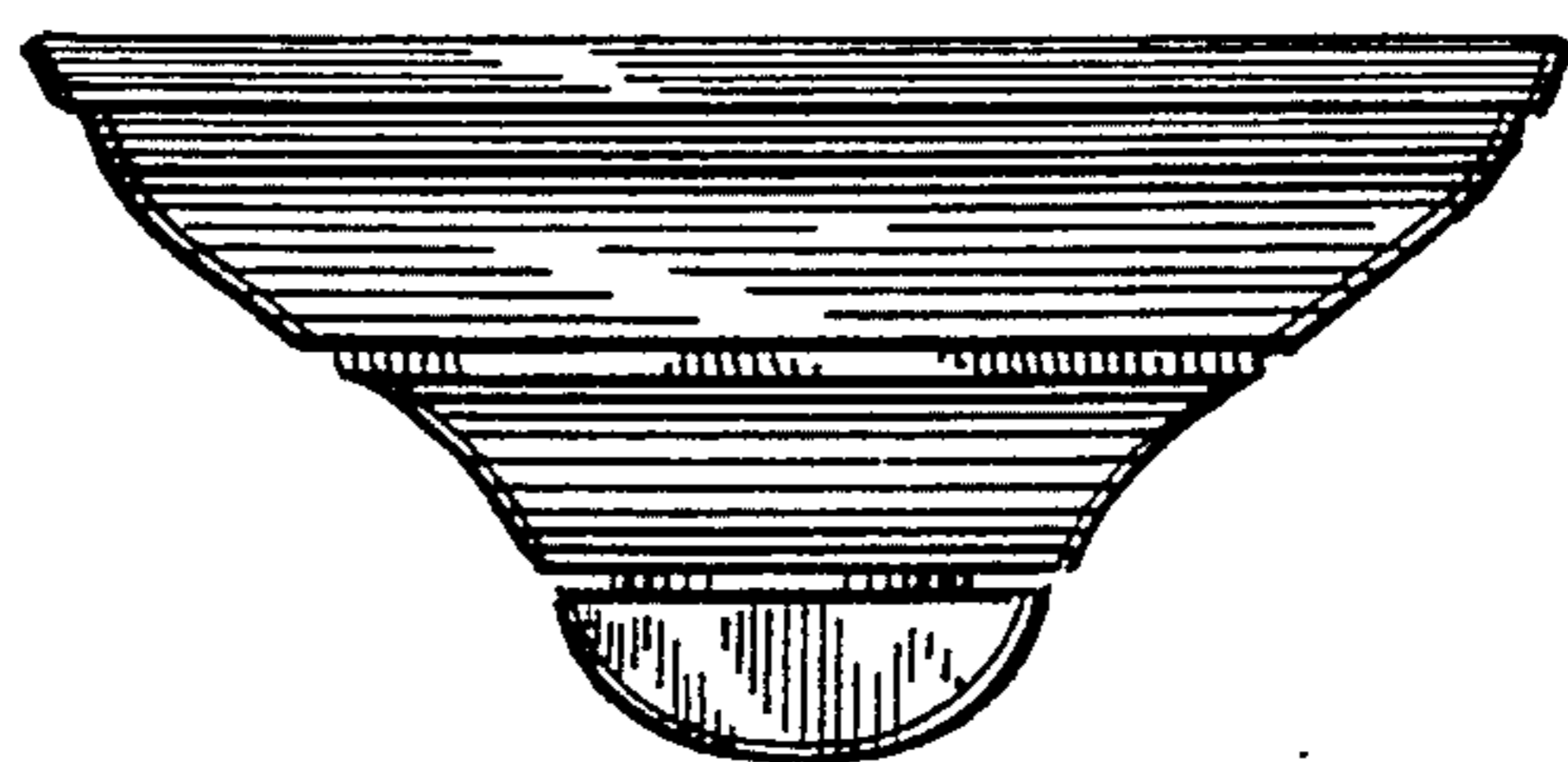


FIG. 15

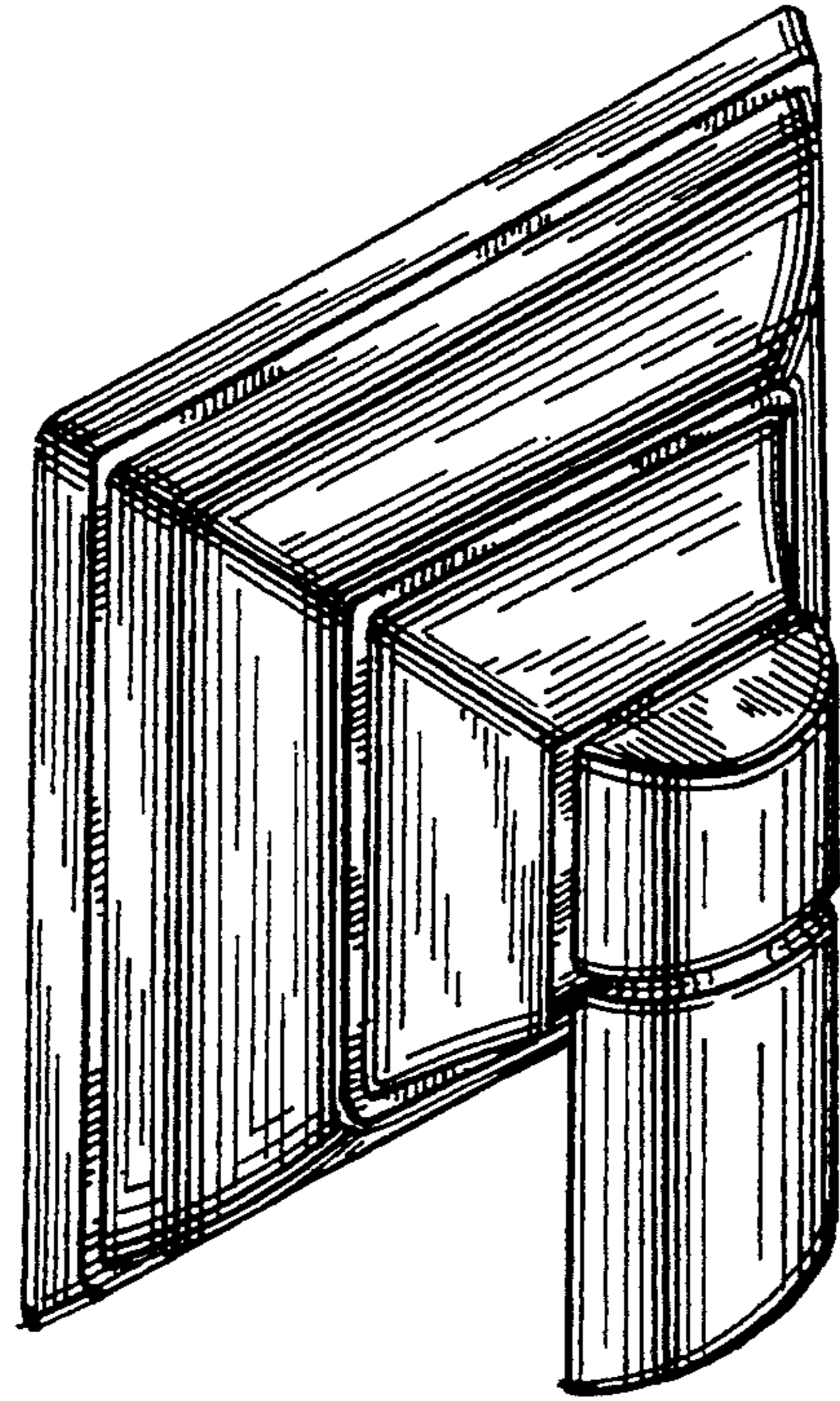


FIG. 16

FIG. 17

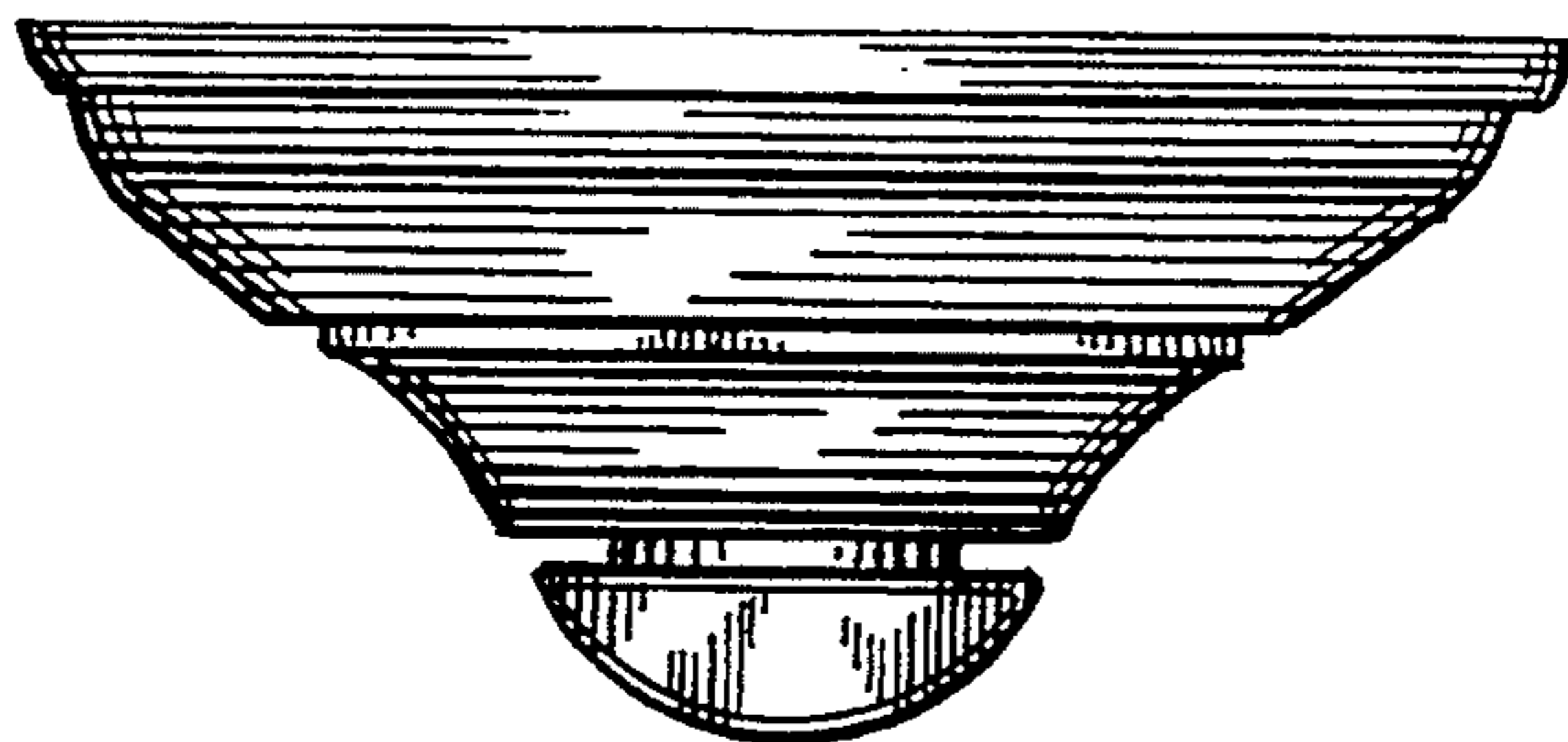
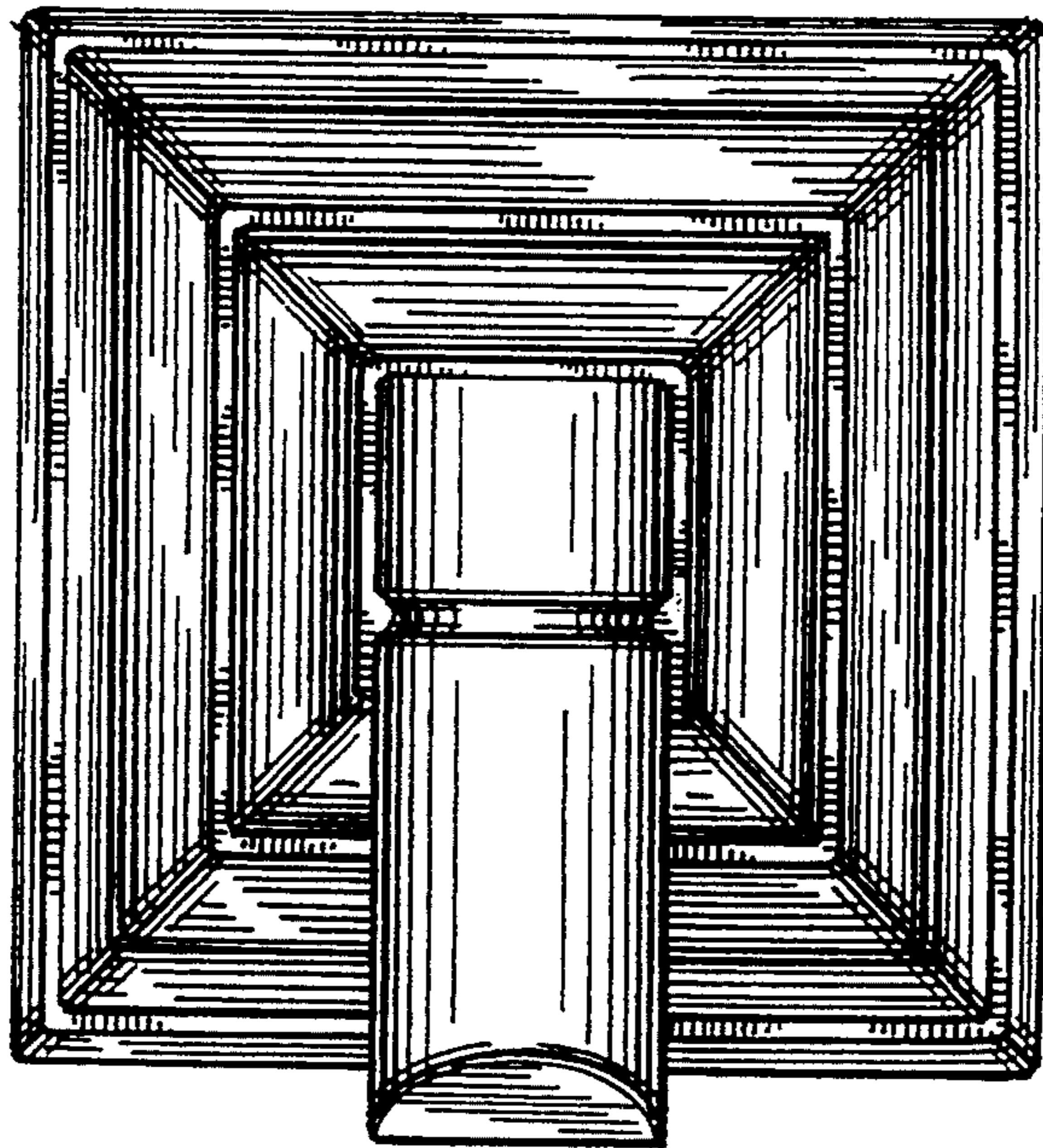


FIG. 18