



US00D352766S

# United States Patent [19]

[11] Patent Number: **Des. 352,766**

Hill et al.

[45] Date of Patent: **\*\* Nov. 22, 1994**

[54] **HAND HELD SPRAY**

D. 337,810 7/1993 Bengston ..... D23/223  
3,035,612 5/1962 Lyon .

[75] Inventors: **Loran R. Hill**, Indianapolis; **Anthony G. Spangler**, Sheridan, both of Ind.

### OTHER PUBLICATIONS

[73] Assignee: **Masco Corporation of Indiana**, Indianapolis, Ind.

Delta Full-Line Catalog, p. 6 1991.  
Delta Gourmet Spray (2 pages) 1988.

[\*\*] Term: **14 Years**

*Primary Examiner*—Wallace R. Burke  
*Assistant Examiner*—Robin V. Taylor  
*Attorney, Agent, or Firm*—Myron B. Kapustij; Malcolm L. Sutherland

[21] Appl. No.: **13,928**

[22] Filed: **Oct. 6, 1993**

[52] U.S. Cl. .... **D23/213; D23/223**

[58] Field of Search ..... 239/276, 280-283,  
239/288.5, 443-449, 456-460, 525, 556-559;  
D23/213, 223-229, 238, 241

### [57] CLAIM

The ornamental design of a hand held spray, as shown and described.

### DESCRIPTION

### [56] References Cited

#### U.S. PATENT DOCUMENTS

- D. 193,885 10/1962 Andrews .
- D. 197,000 11/1963 Landell et al. .
- D. 203,246 12/1965 Harvey et al. .
- D. 213,874 4/1969 Landell et al. .
- D. 219,779 1/1971 Tiller .
- D. 267,582 1/1983 Mackay ..... D23/223
- D. 290,492 6/1987 Hill et al. .
- D. 327,729 7/1992 Rogers ..... D23/223
- D. 332,303 1/1993 Klose ..... D23/223

FIG. 1 is a top perspective view of the hand held spray showing our new design;

FIG. 2 is a top plan view thereof;

FIG. 3 is a left side elevational view thereof;

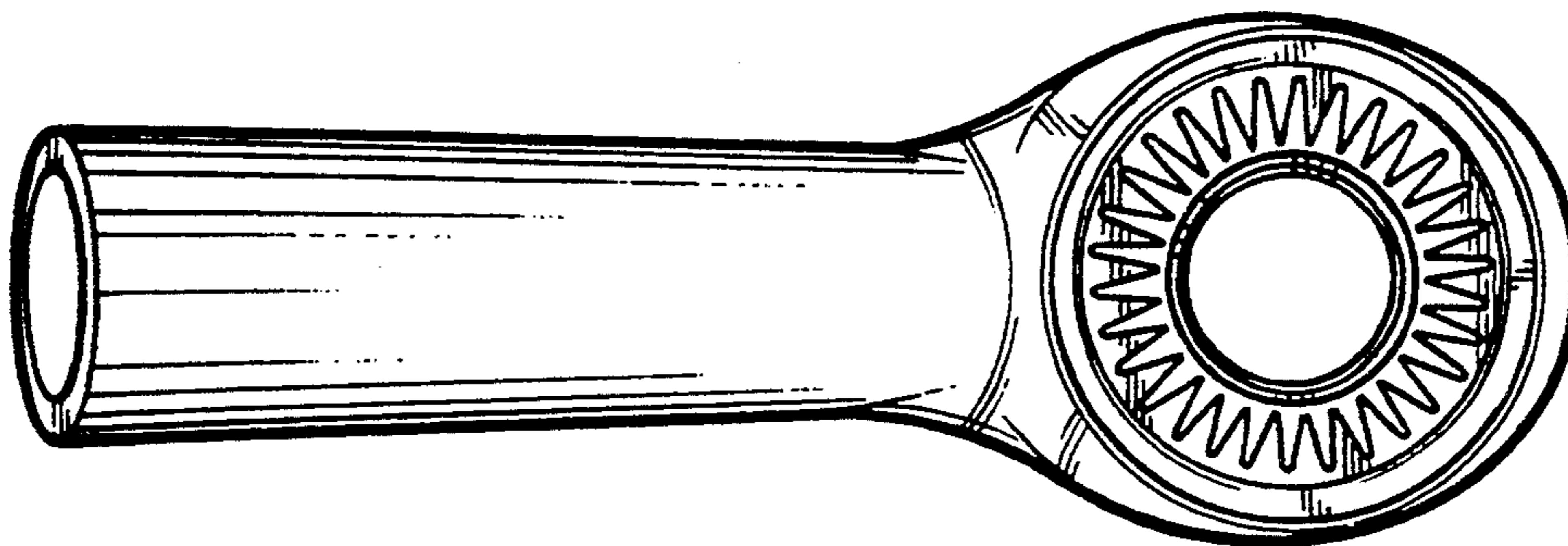
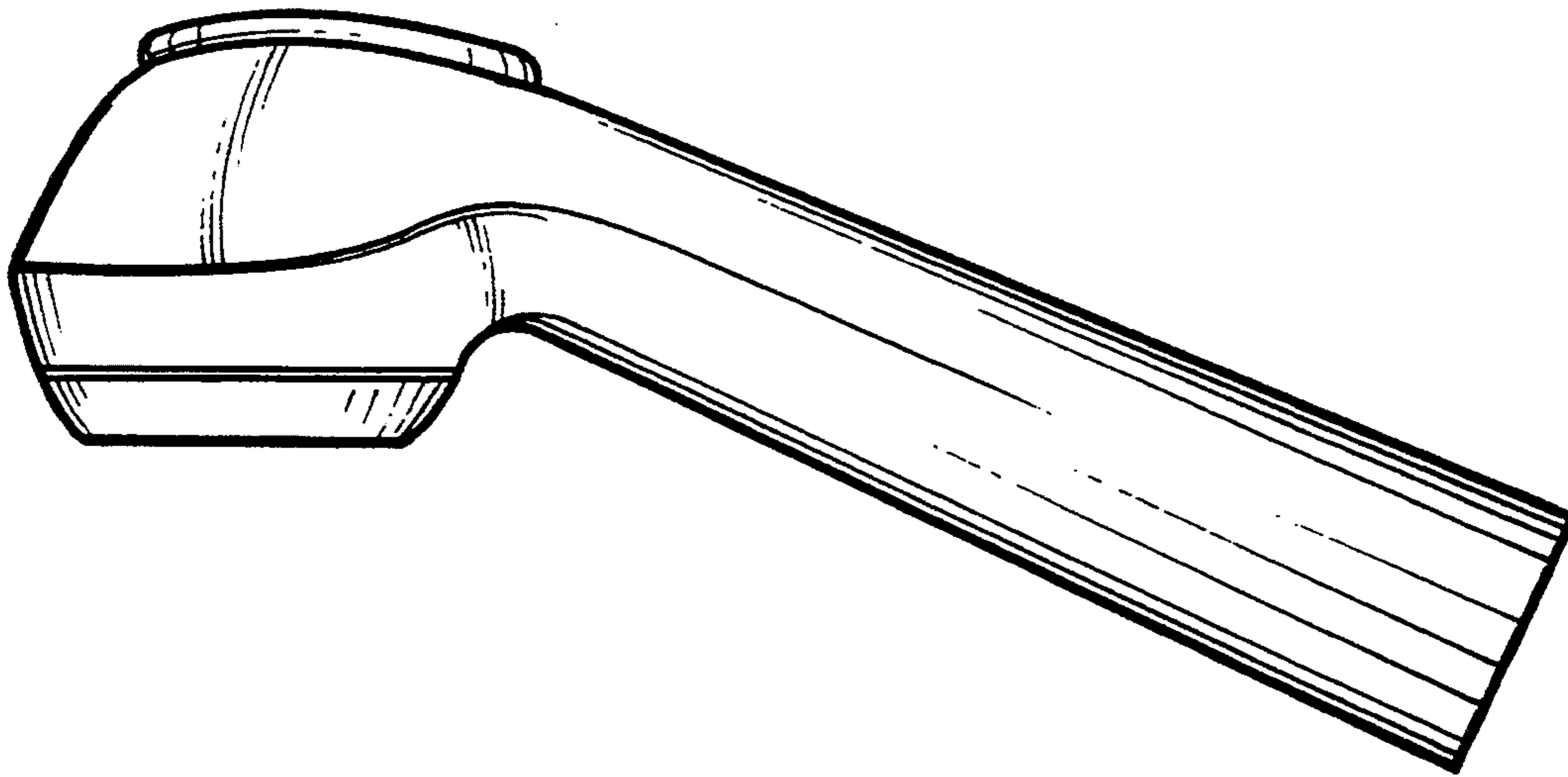
FIG. 4 is a right side elevational view thereof;

FIG. 5 is a bottom plan view thereof;

FIG. 6 is a front elevational view thereof; and,

FIG. 7 is a rear elevational view thereof.

The broken line showing of an aerator in FIG. 1 is for purposes of illustration only and forms no part of the claimed design.



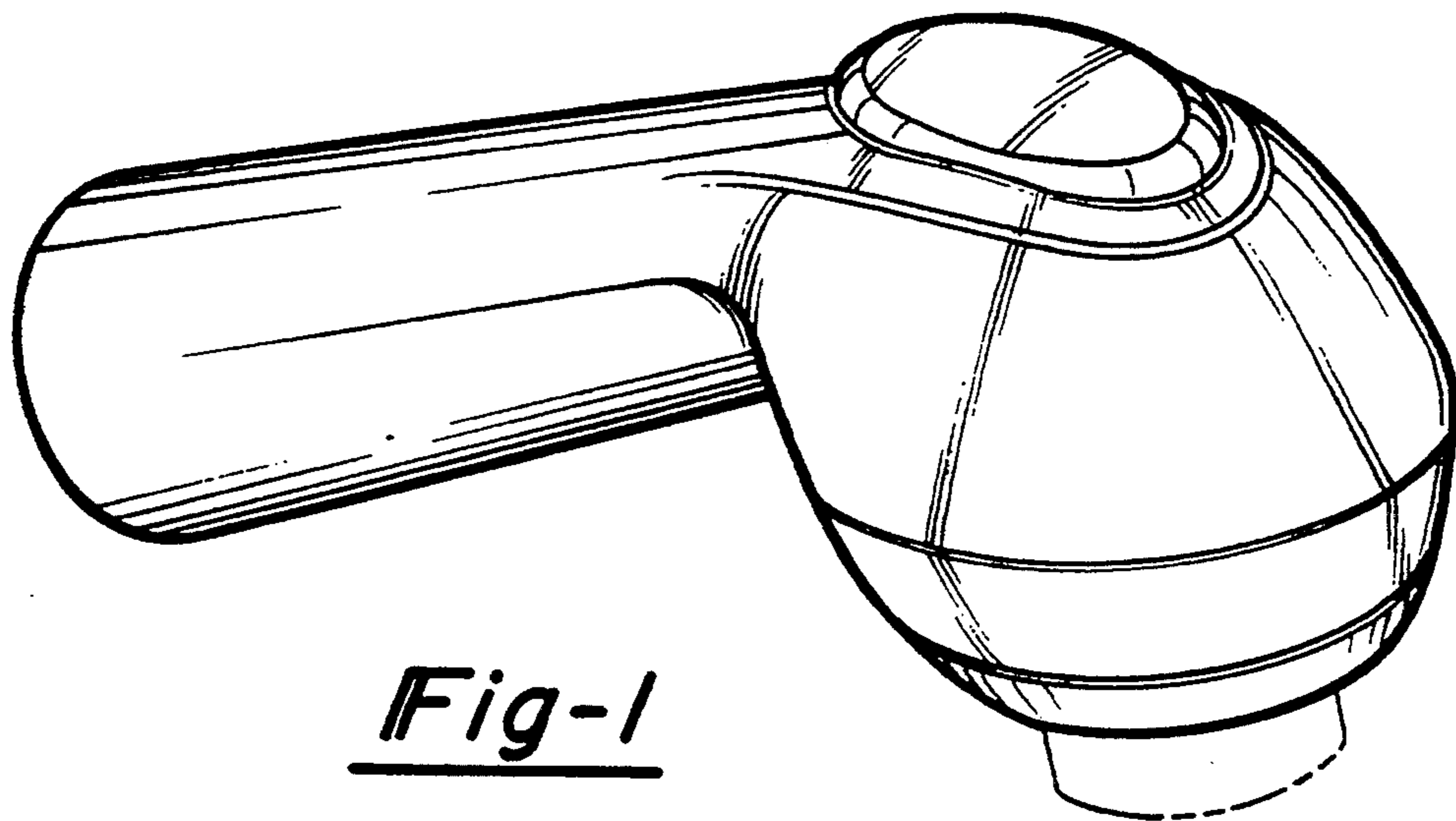


Fig-1

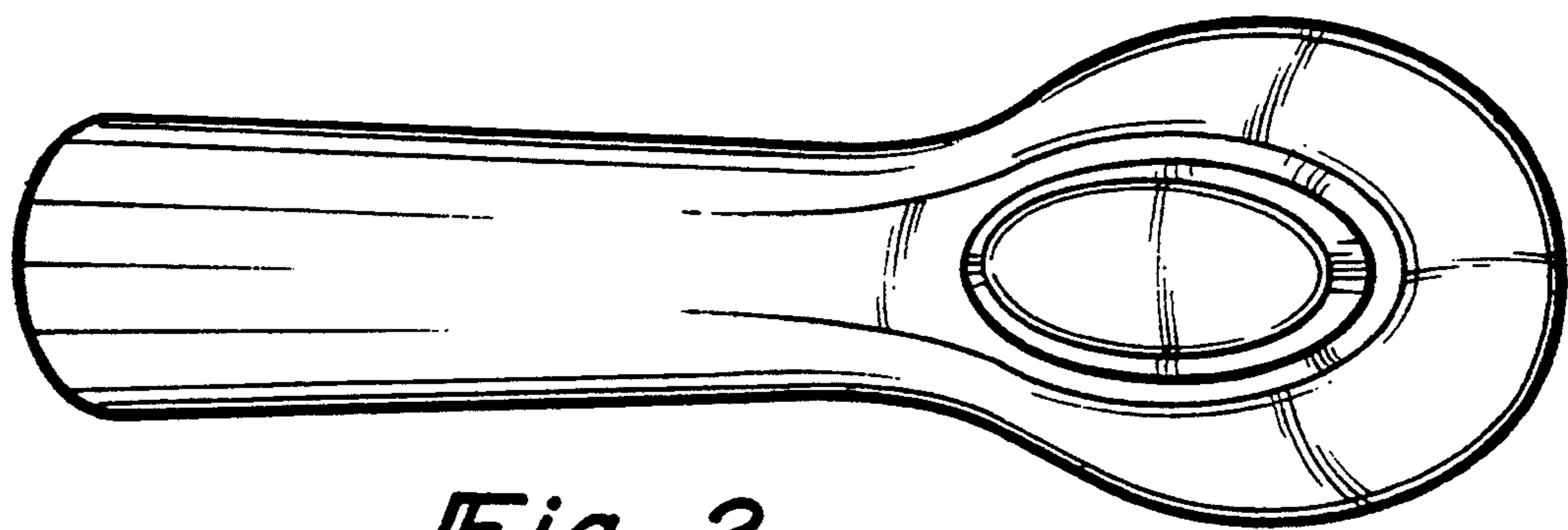


Fig-2

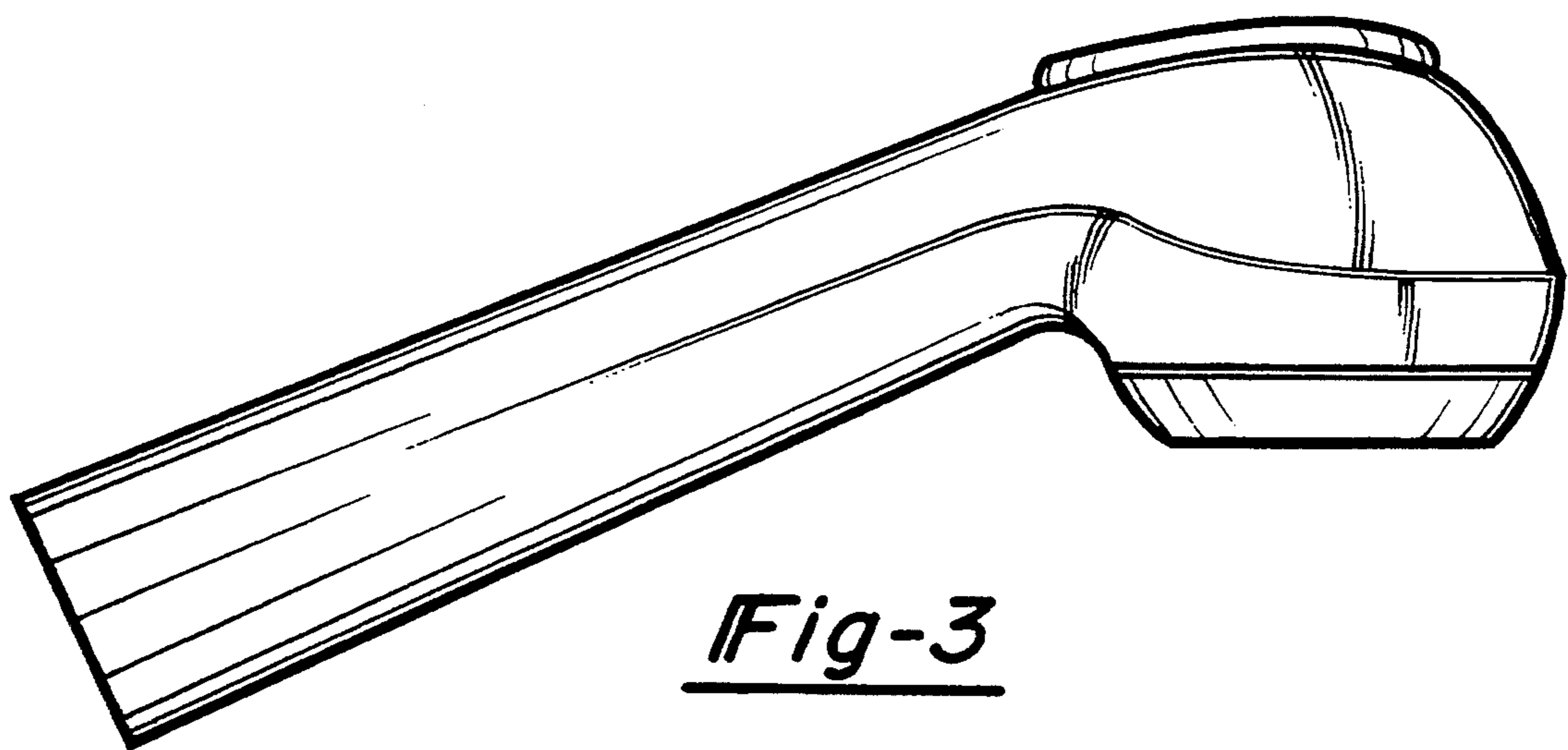


Fig-3

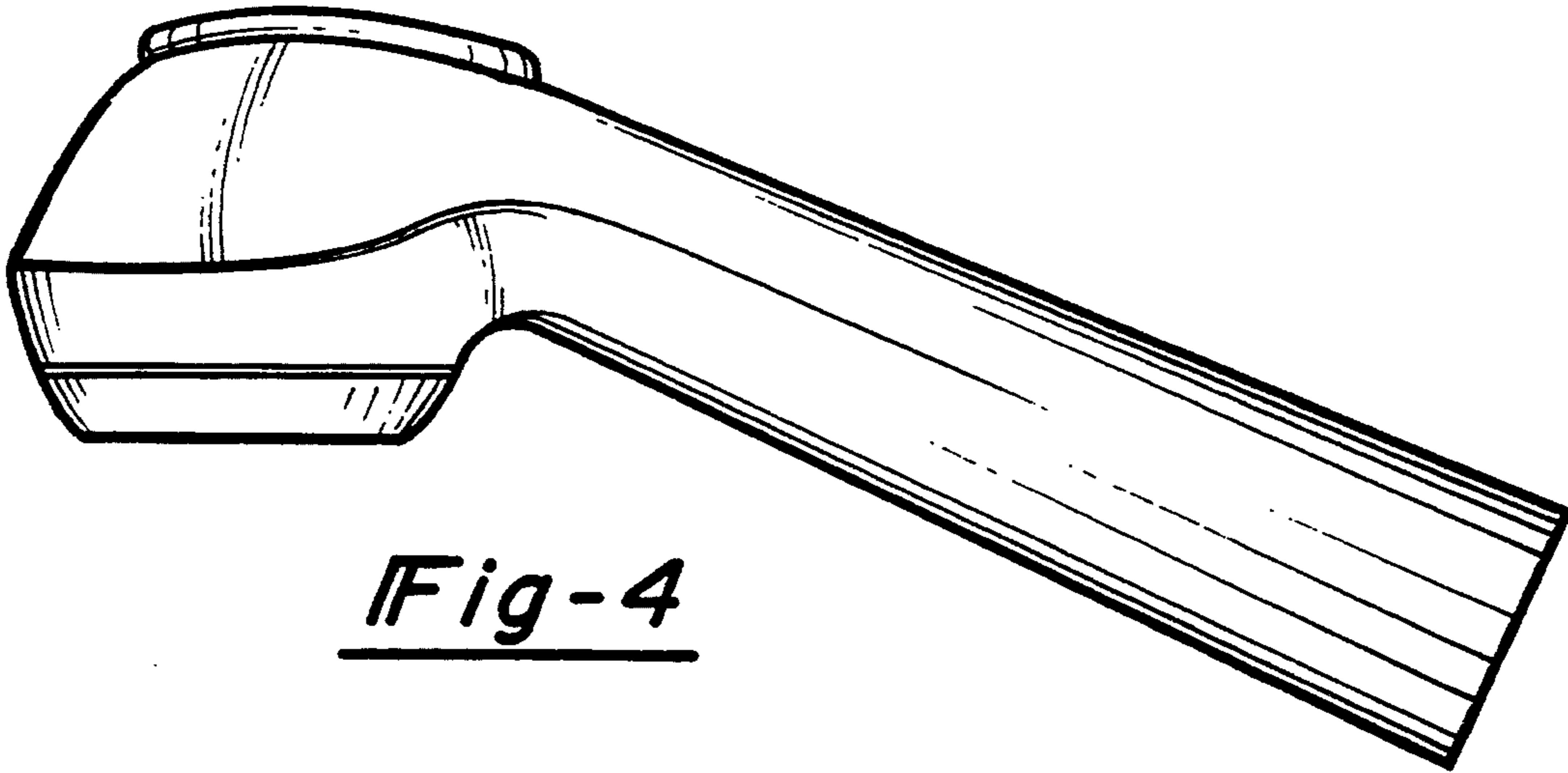


Fig-4

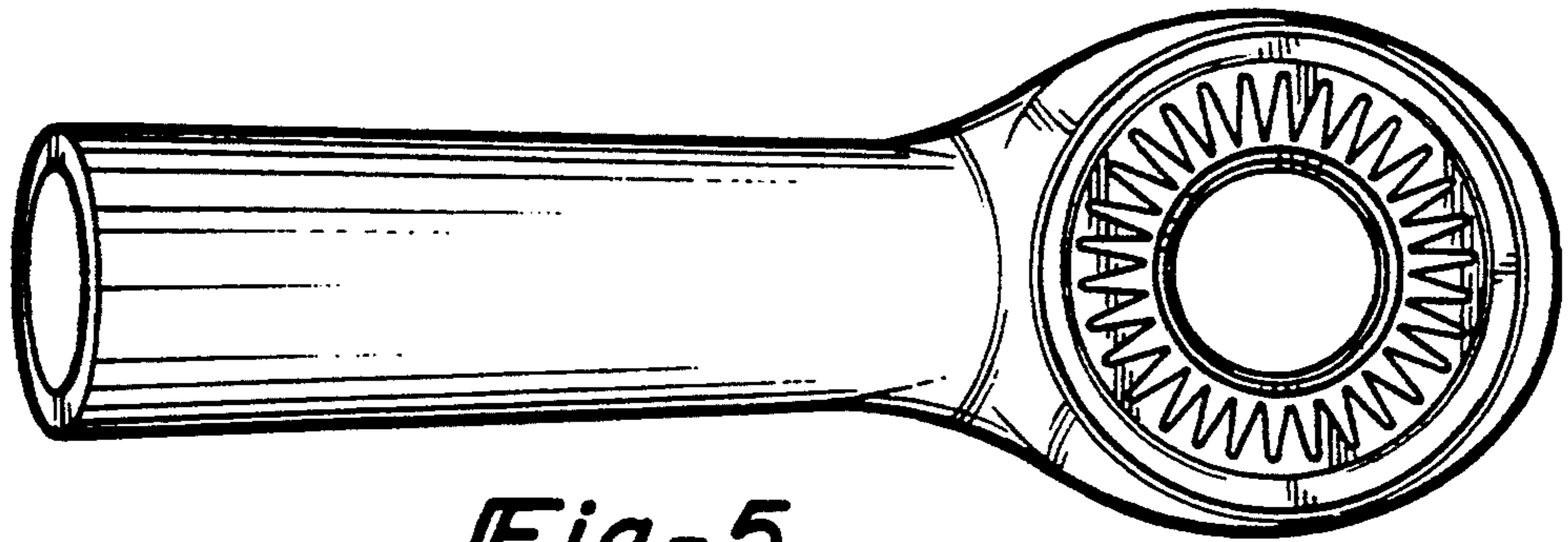


Fig-5

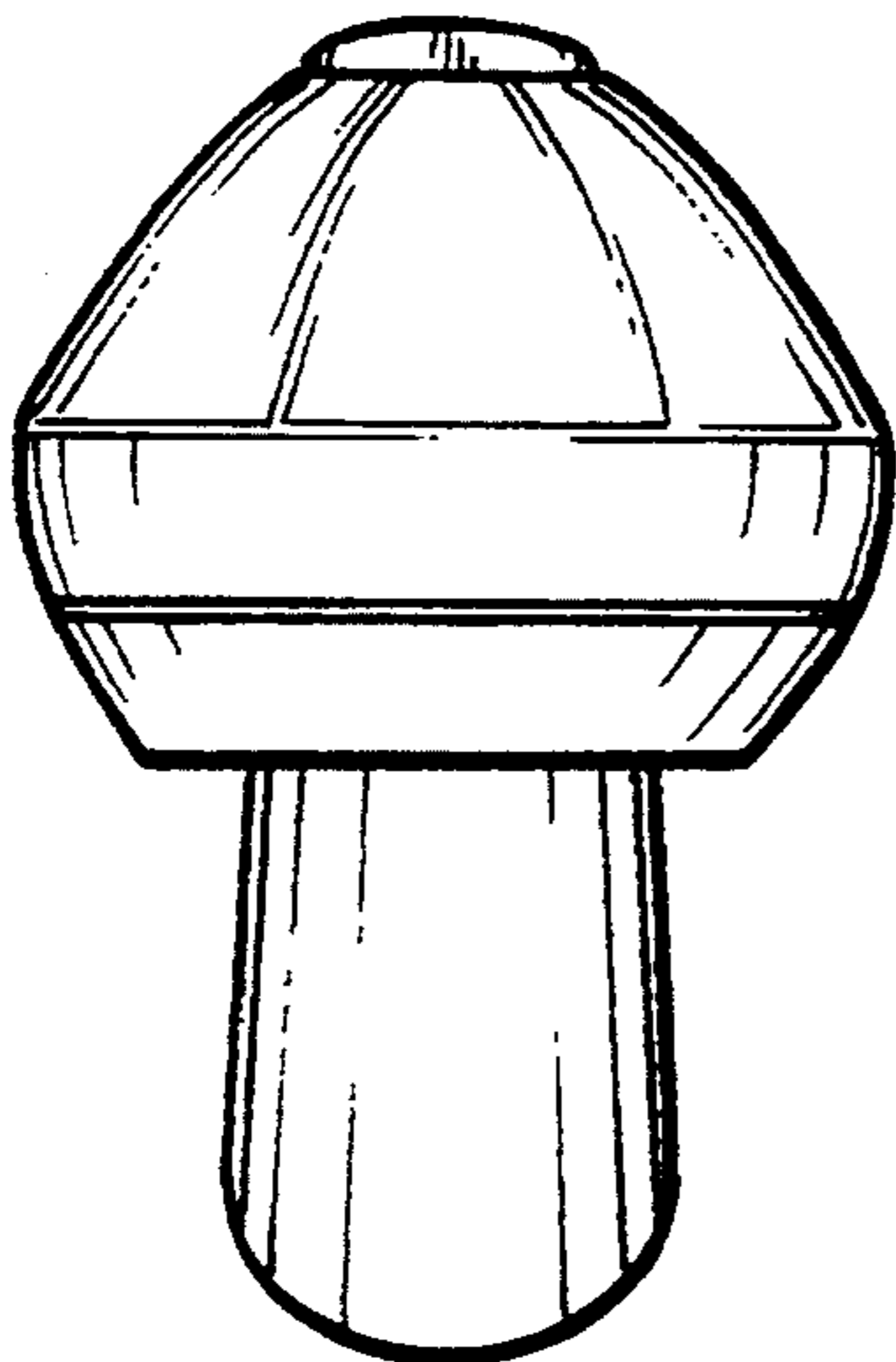


Fig-6

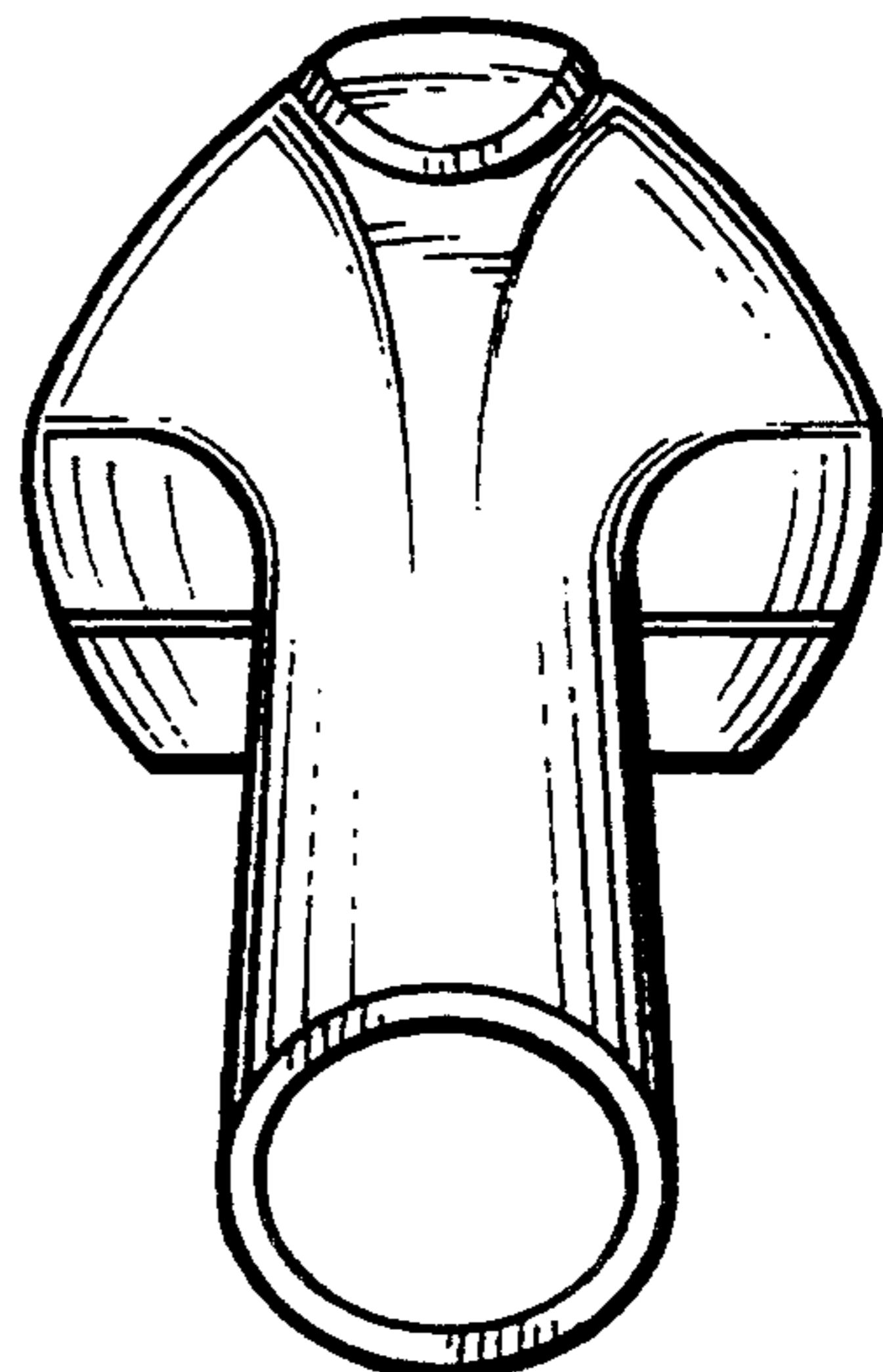


Fig-7