



US00D352764S

United States Patent [19] Onishi

[11] Patent Number: **Des. 352,764**

[45] Date of Patent: **** Nov. 22, 1994**

[54] **SPINNING REEL**

[75] Inventor: **Kenji Onishi, Sakai, Japan**

[73] Assignee: **Shimano Inc., Osaka, Japan**

[**] Term: **14 Years**

[21] Appl. No.: **948,892**

[22] Filed: **Sep. 21, 1992**

[52] U.S. Cl. **D22/141**

[58] Field of Search 242/224, 230, 231, 233,
242/245, 246, 247, 248; D22/141

[56] **References Cited**

U.S. PATENT DOCUMENTS

D. 330,245	10/1992	Shiozaki	D22/141
D. 333,503	2/1993	Myojo	D22/141
D. 333,504	2/1993	Myojo	D22/141

OTHER PUBLICATIONS

Cabela's Spring 1991, p. 23, ©1989, Shimano Solstace and GTX Speedmaster Reels.

Primary Examiner—A. Hugo Word

Assistant Examiner—Doris V. Coles

Attorney, Agent, or Firm—Dickstein, Shapiro & Morin

[57] **CLAIM**

The ornamental design for a spinning reel, as shown and described.

DESCRIPTION

FIG. 1 is a front view of my spinning reel;

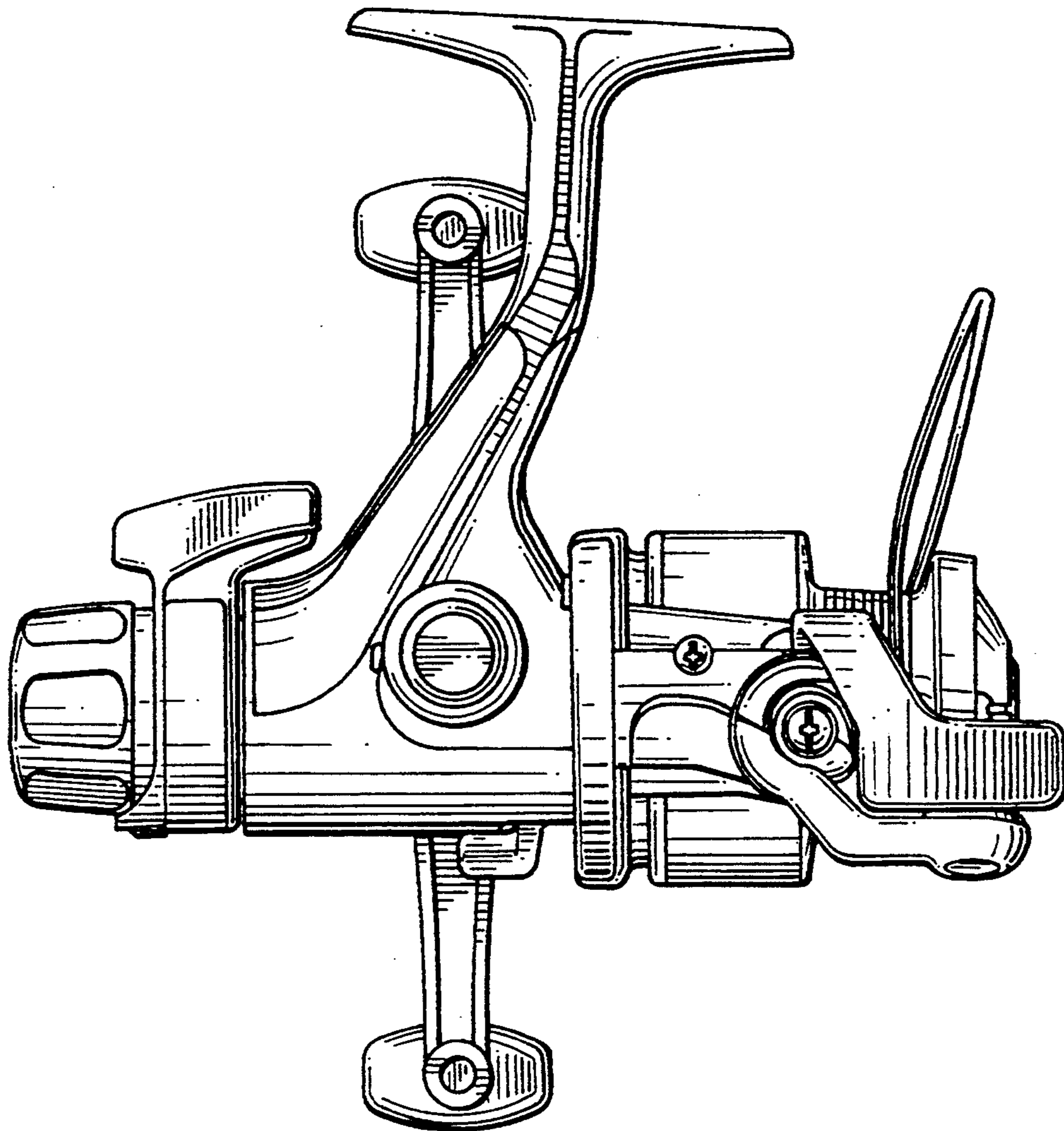
FIG. 2 is a rear view thereof;

FIG. 3 is a right side view thereof;

FIG. 4 is a left side view thereof;

FIG. 5 is a top plan view thereof; and,

FIG. 6 is a bottom side view thereof.



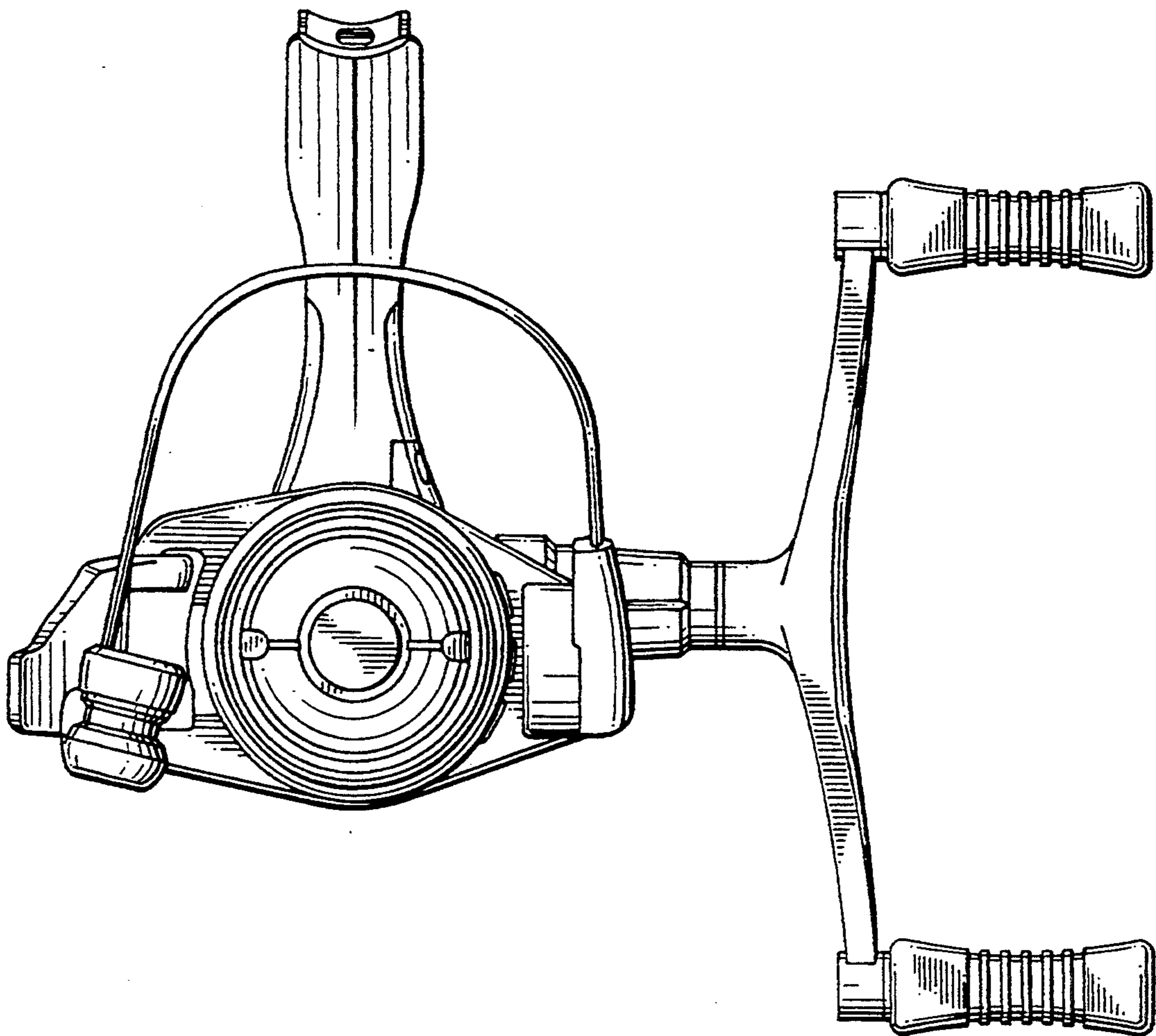


FIG. 1

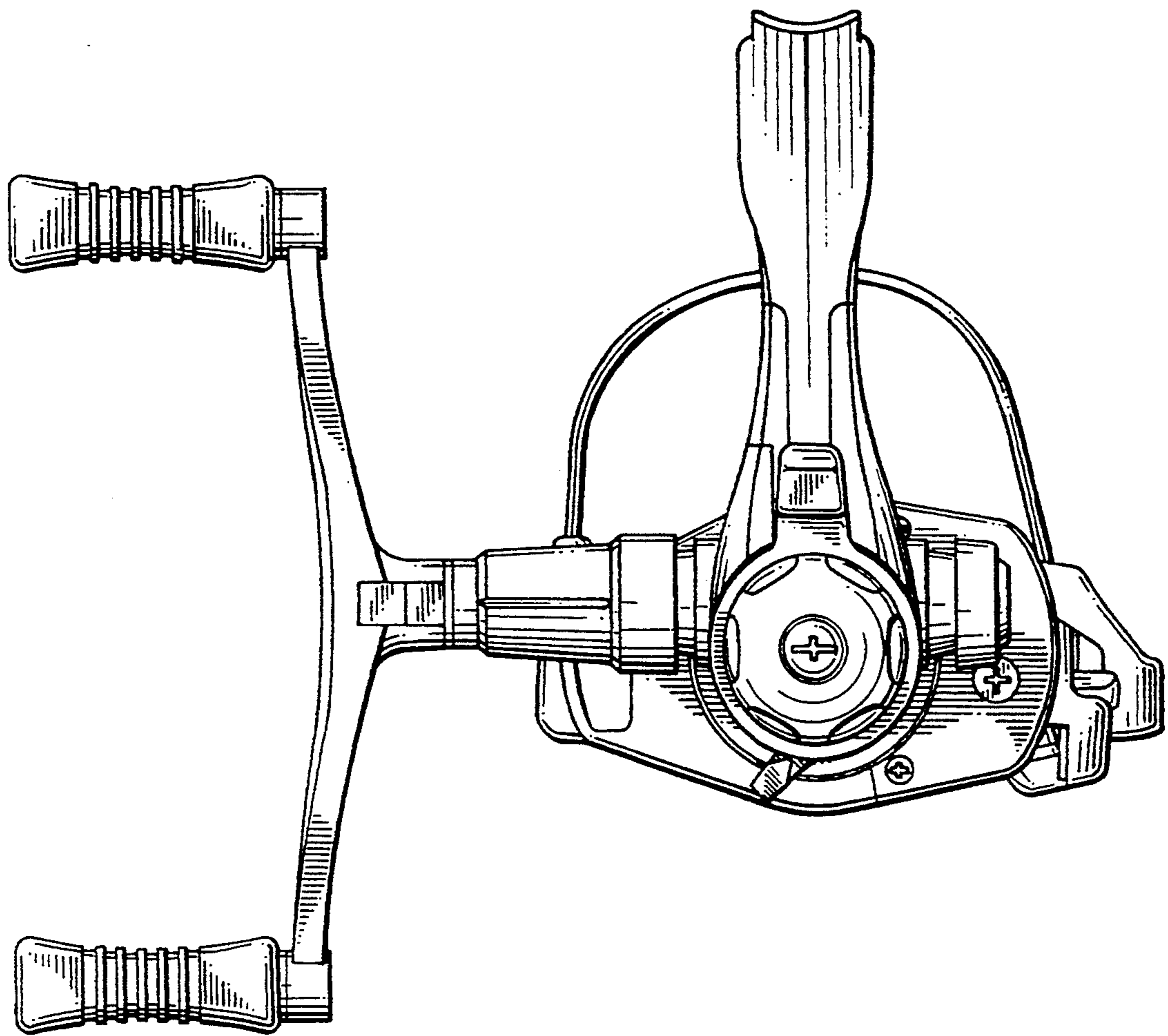


FIG. 2

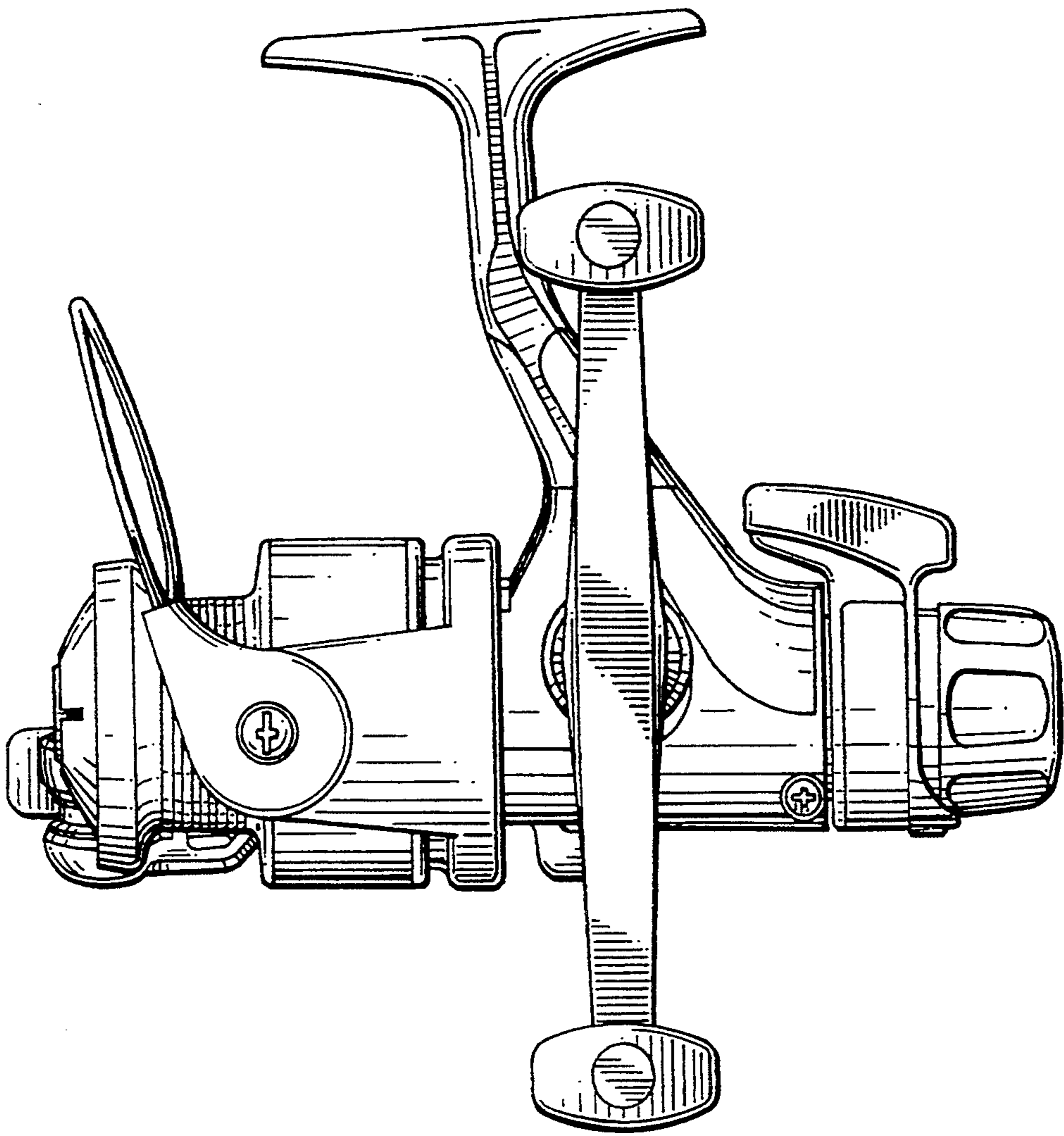


FIG. 3

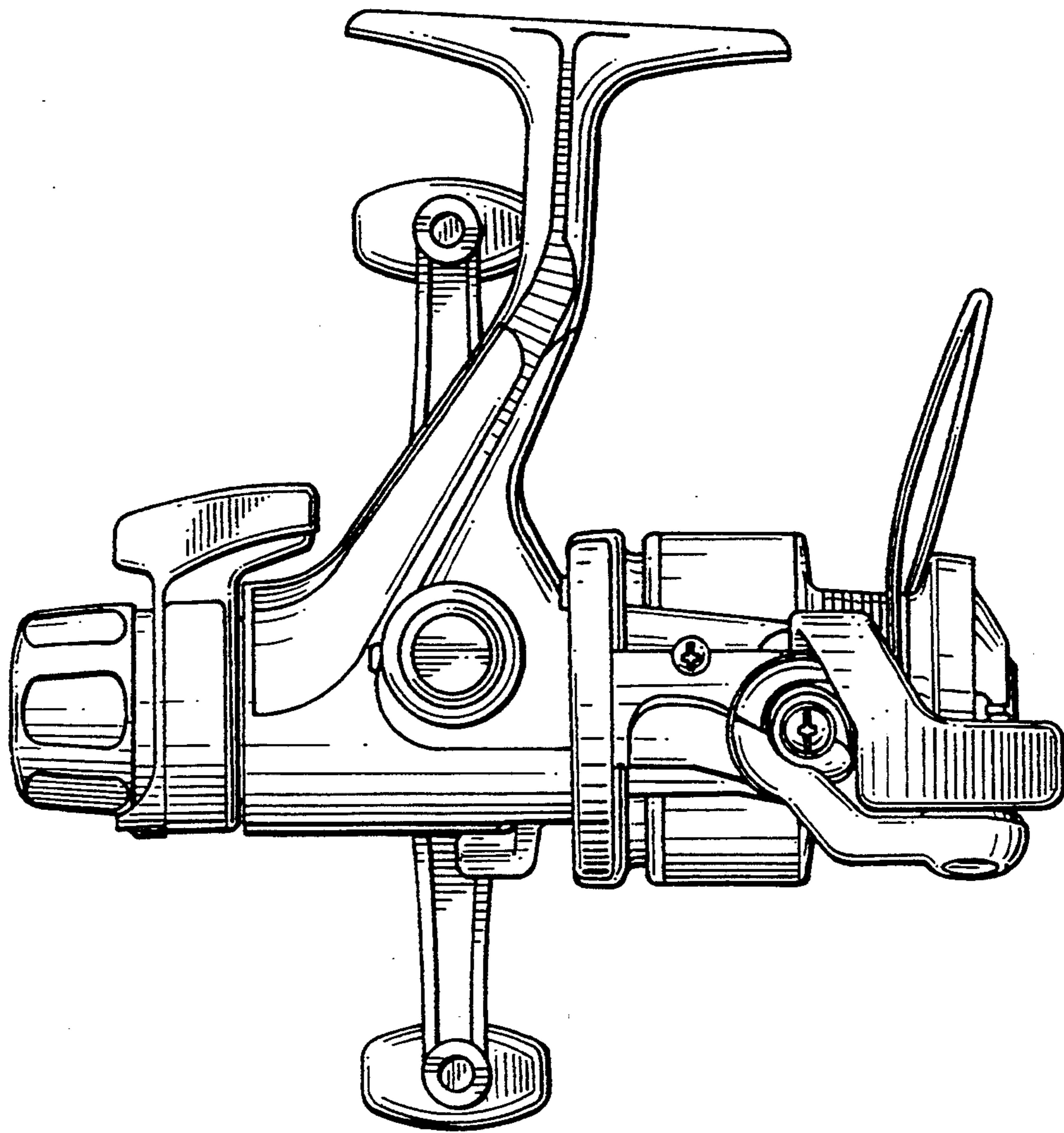


FIG. 4

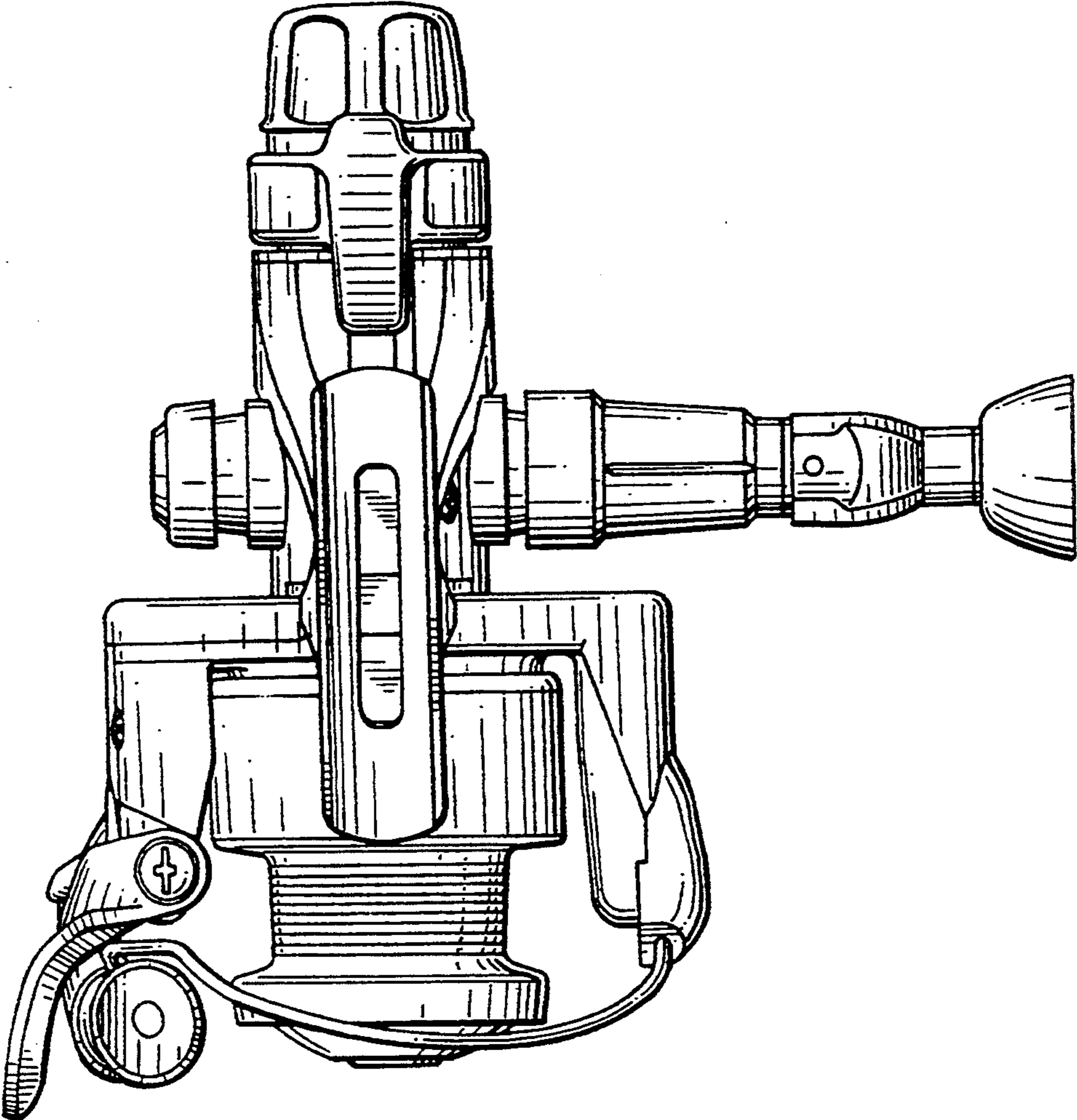


FIG. 5

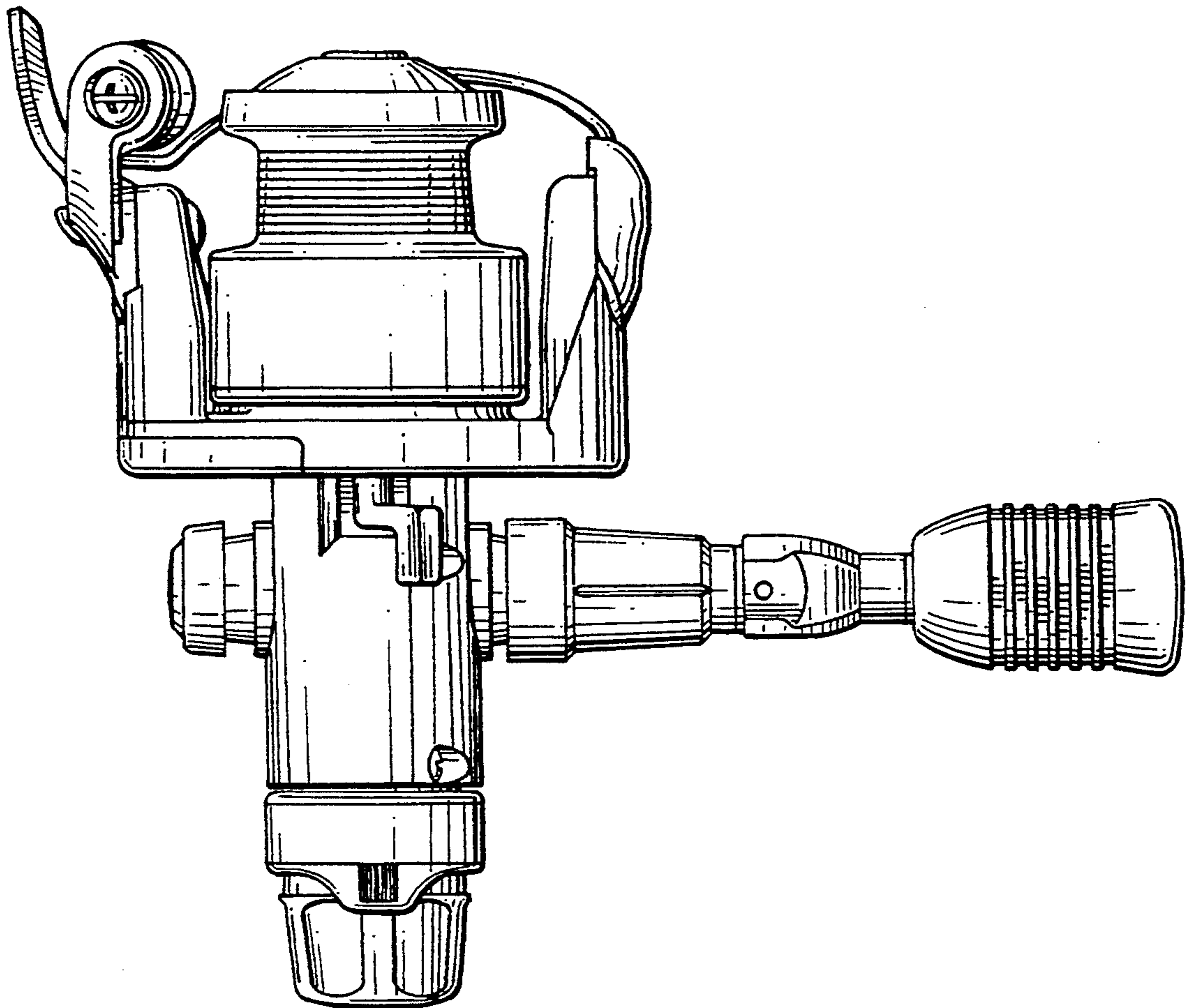


FIG. 6