



US00D352763S

United States Patent [19]

[11] Patent Number: **Des. 352,763**

Myojo et al.

[45] Date of Patent: **** Nov. 22, 1994**

[54] SPINNING REEL

[56] References Cited

[75] Inventors: **Seiji Myojo, Sakai; Koji Terada, Yokohama; Ryoichi Kishi, Komae; Fumiaki Kohno, Yokohama; Akitoshi Oikawa, Mitaka, all of Japan**

U.S. PATENT DOCUMENTS

D. 327,312 6/1992 Myojo D22/141
D. 336,677 6/1993 Shiozaki D22/141

[73] Assignee: **Shimano Inc., Osaka, Japan**

Primary Examiner—A. Hugo Word
Assistant Examiner—Doris V. Coles
Attorney, Agent, or Firm—Dickstein, Shapiro & Morin

[**] Term: **14 Years**

[57] CLAIM

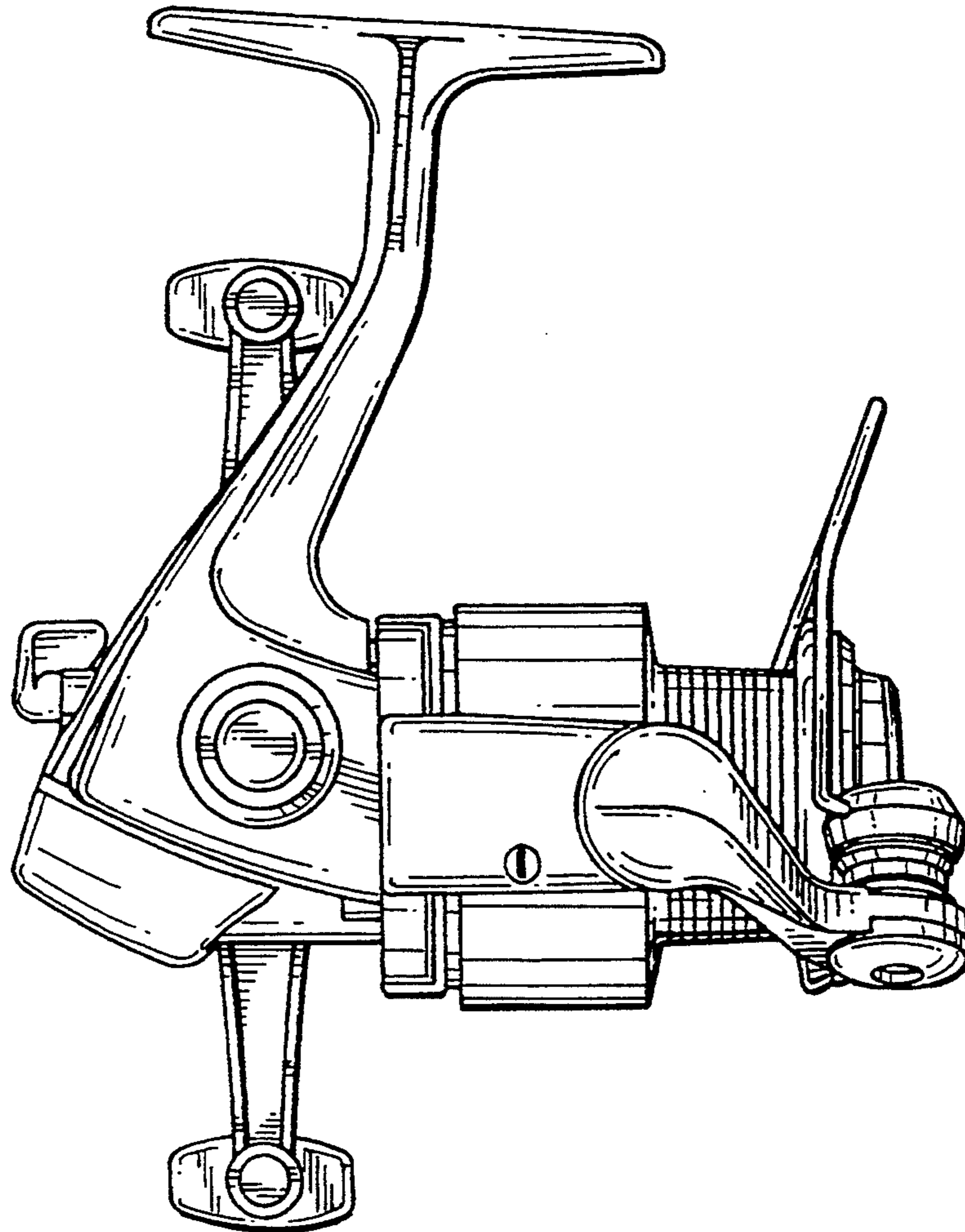
The ornamental design for a spinning reel, as shown and described,.

[21] Appl. No.: **948,877**

DESCRIPTION

[22] Filed: **Sep. 21, 1992**
[52] U.S. Cl. **D22/141**
[58] Field of Search 242/224, 230, 231, 232, 242/233, 245, 246, 247, 248; D22/141

FIG. 1 is a front view of a spinning reel showing our new design;
FIG. 2 is a rear view thereof;
FIG. 3 is a left side view thereof;
FIG. 4 is a right side view thereof;
FIG. 5 is a top plan thereof; and,
FIG. 6 is a bottom view thereof.



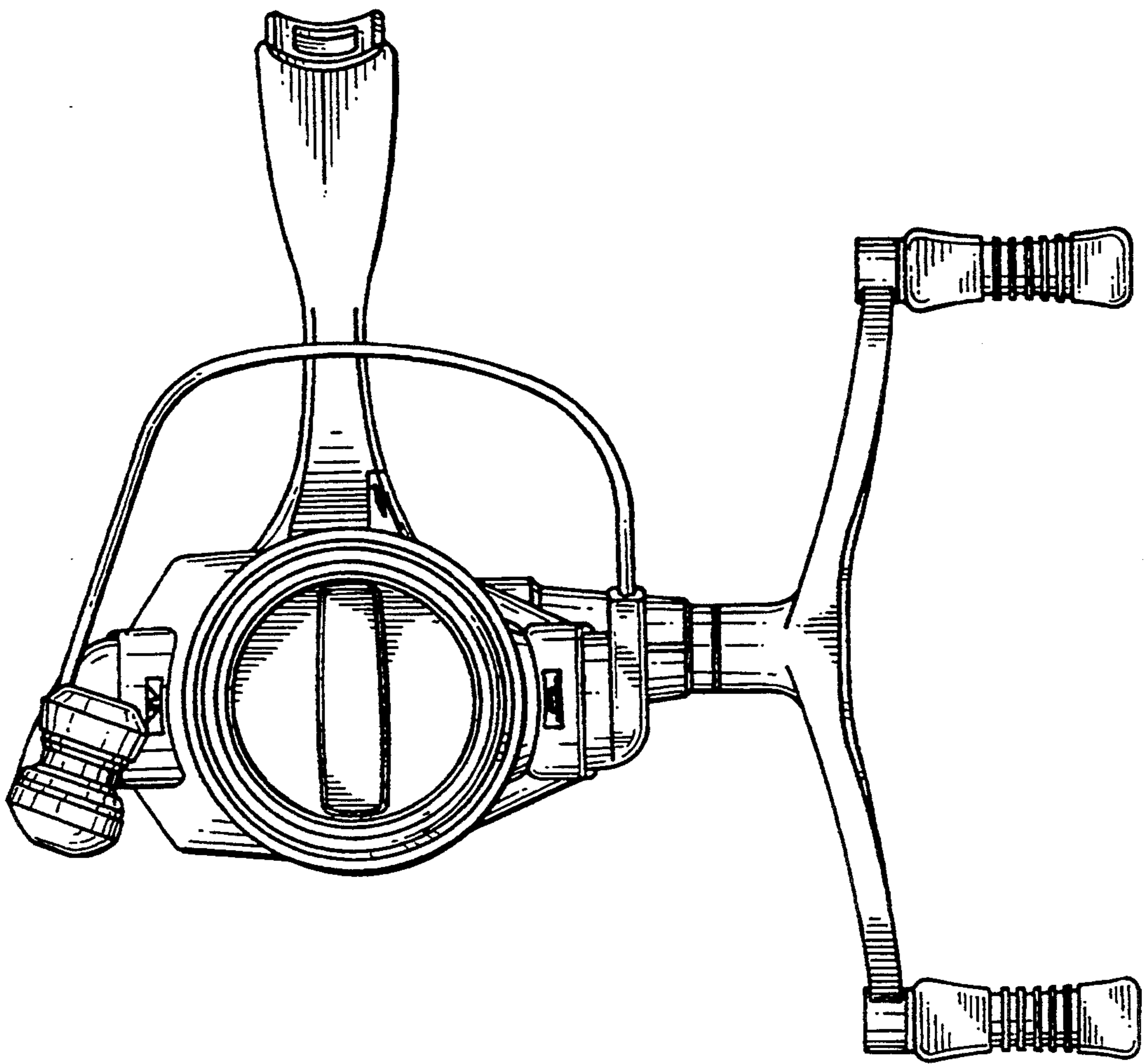


FIG. 1

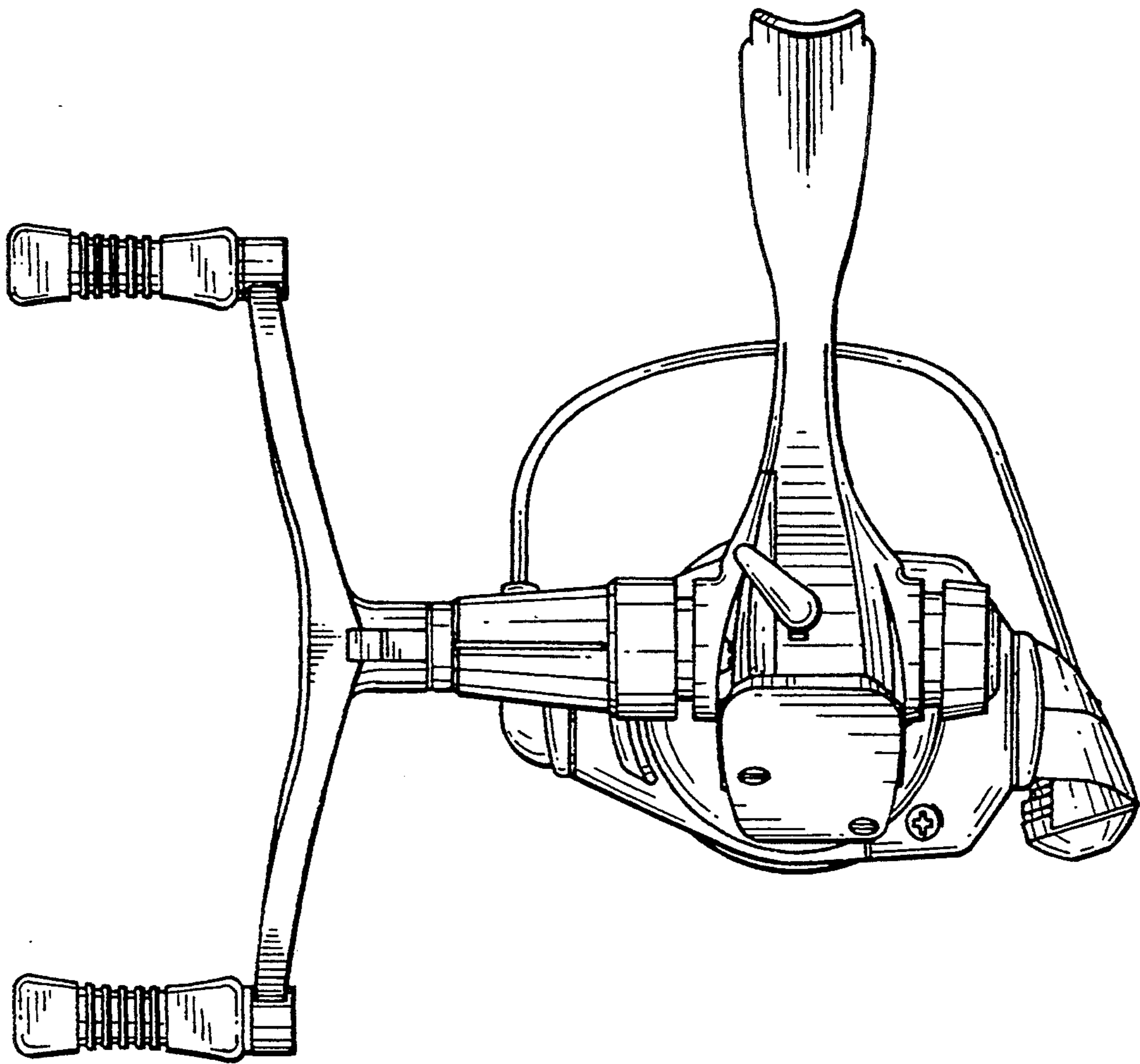


FIG. 2

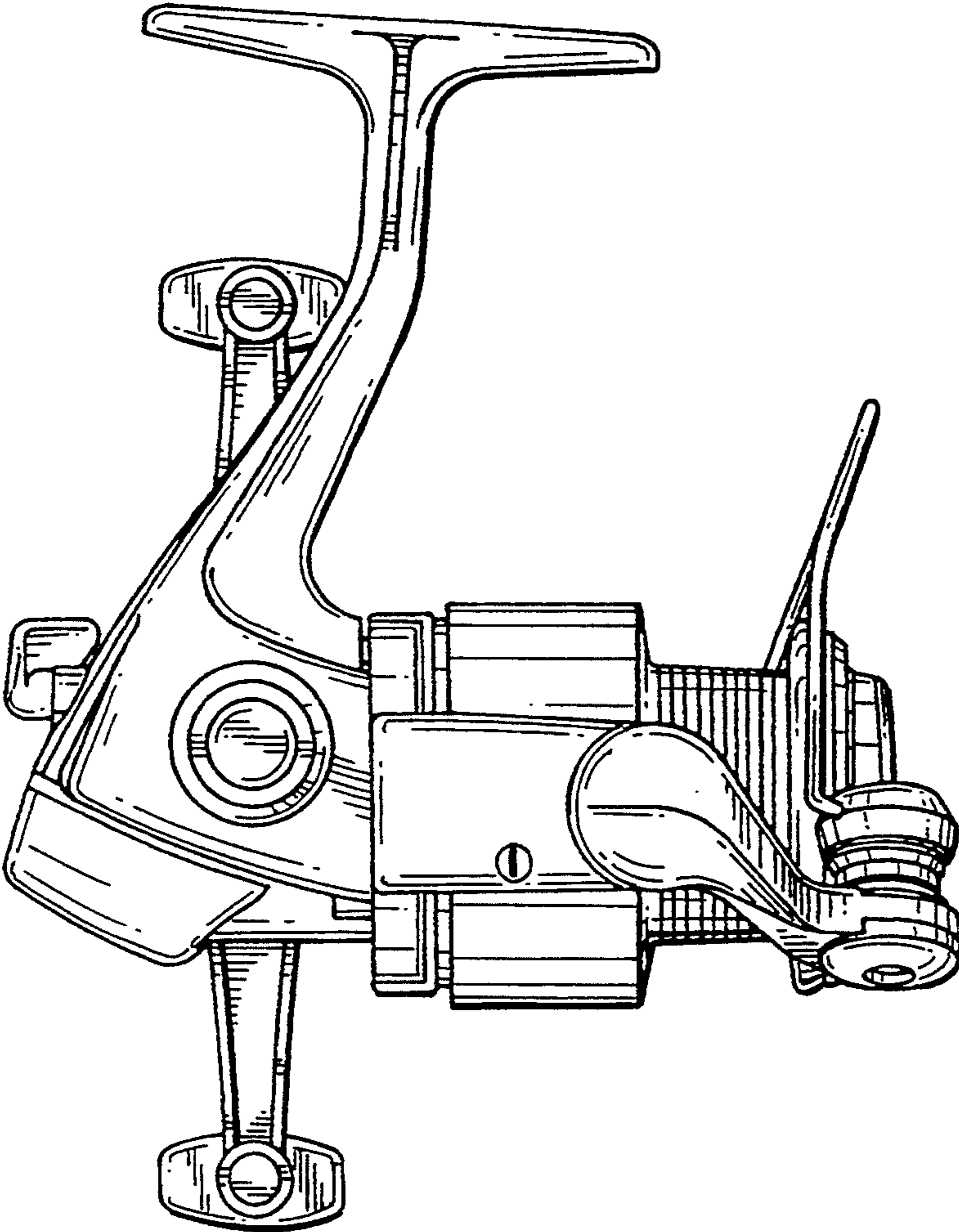


FIG. 3

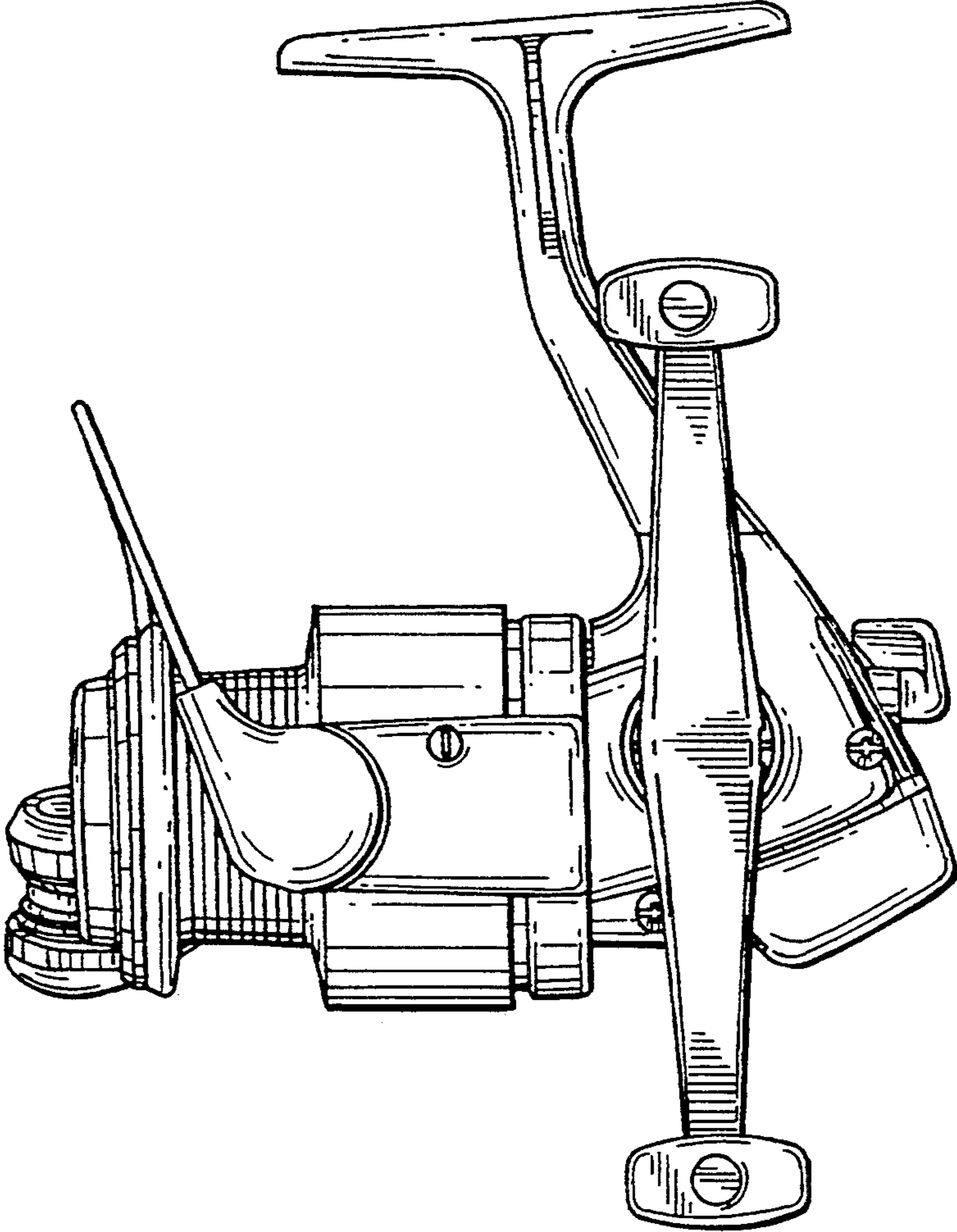


FIG. 4

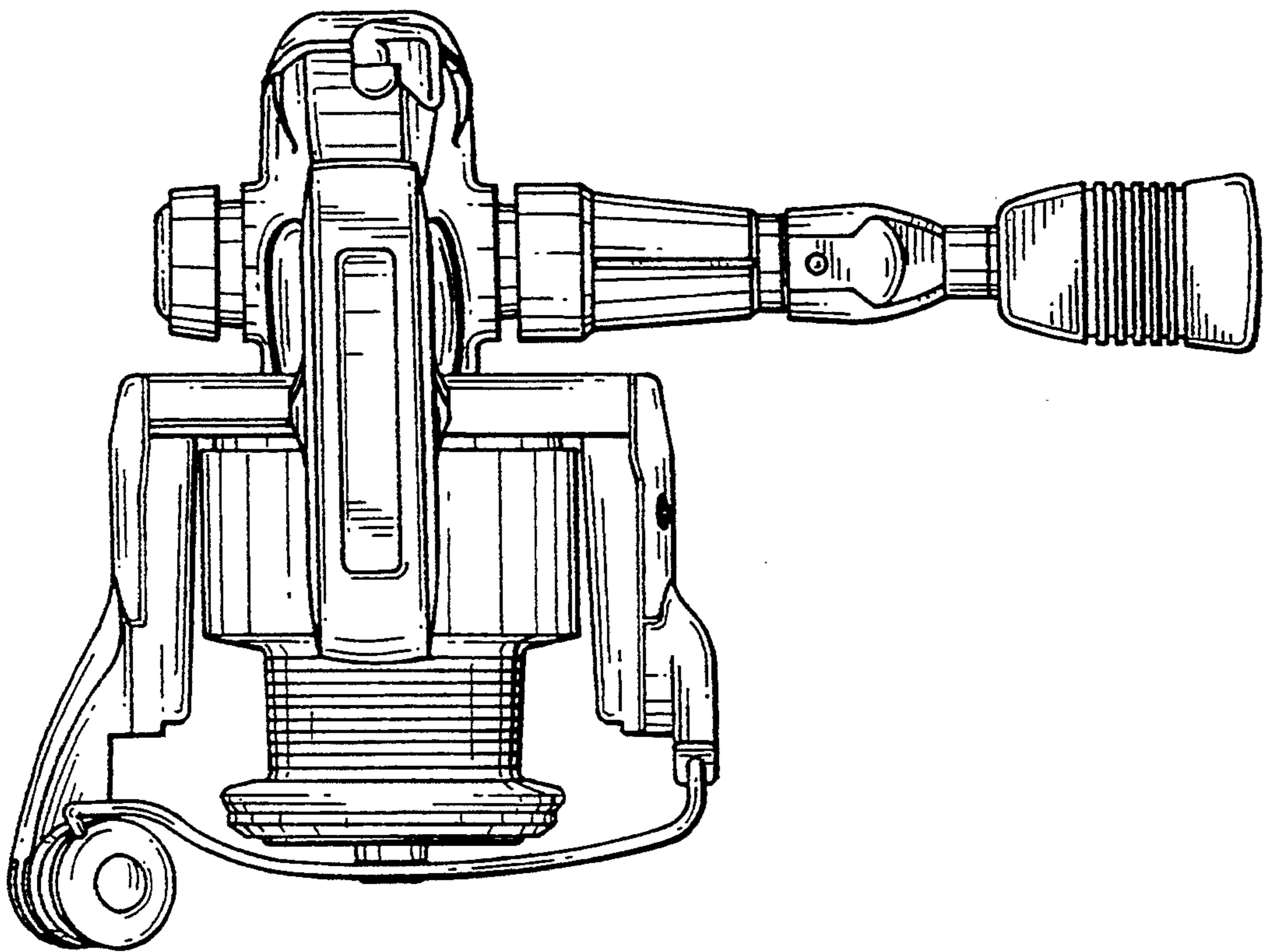


FIG. 5

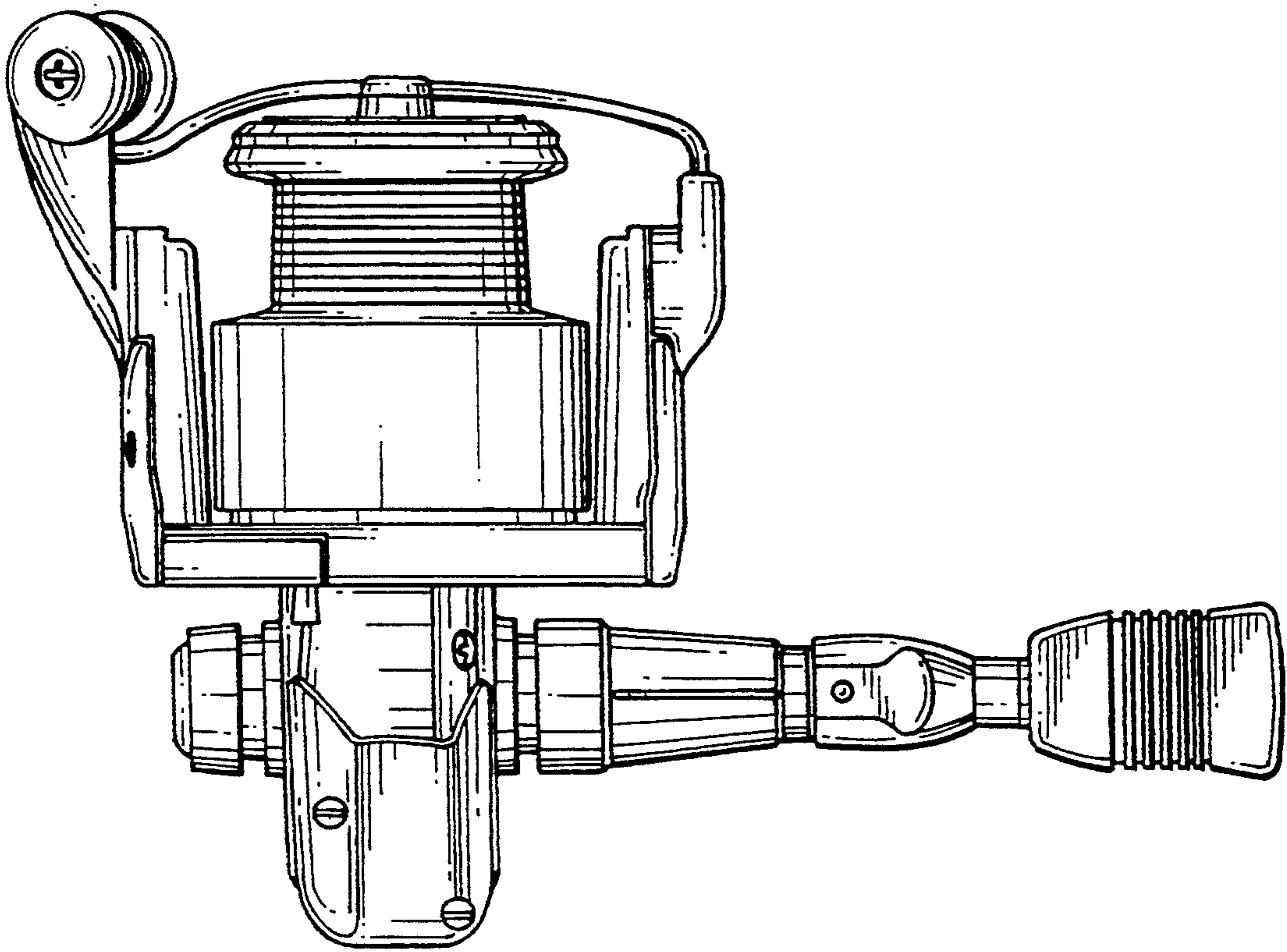


FIG. 6