



US00D352762S

United States Patent [19]

Sakurai

[11] Patent Number: **Des. 352,762**

[45] Date of Patent: **** Nov. 22, 1994**

[54] SPINNING REEL

[75] Inventor: **Tomoharu Sakurai**, Wakayama, Japan

[73] Assignee: **Shimano Inc.**, Osaka, Japan

[**] Term: **14 Years**

[21] Appl. No.: **948,861**

[22] Filed: **Sep. 15, 1992**

[52] U.S. Cl. **D22/141**

[58] Field of Search 242/224, 230, 231, 232, 242/233, 245, 246, 248, 247; D22/141

[56] References Cited

U.S. PATENT DOCUMENTS

- D. 308,717 6/1990 Hiraishi et al. D22/141
- D. 326,499 5/1992 Nouma D22/141

OTHER PUBLICATIONS

Cabela's Spring 1991, © 1989, p. 22, Shimano's Bi-master GT Reel.

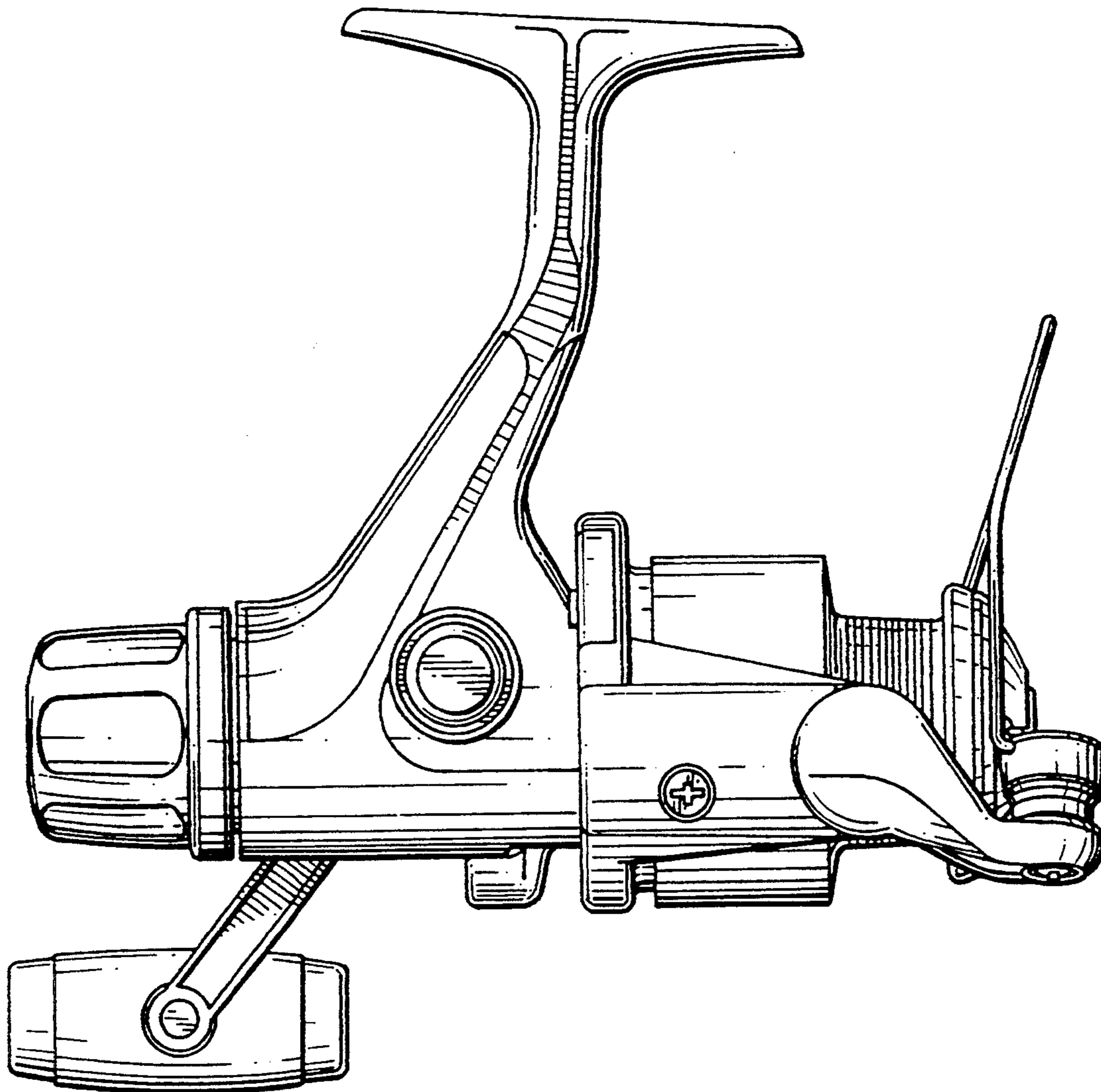
Primary Examiner—A Hugo Word
Assistant Examiner—Doris V. Coles
Attorney, Agent, or Firm—Dickstein, Shapiro & Morin

[57] CLAIM

The ornamental design for a spinning reel, as shown and described.

DESCRIPTION

FIG. 1 is a front view of my spinning reel;
FIG. 2 is a rear view thereof;
FIG. 3 is a left side view thereof;
FIG. 4 is a right side view thereof;
FIG. 5 is a top plan thereof; and,
FIG. 6 is a bottom view thereof.



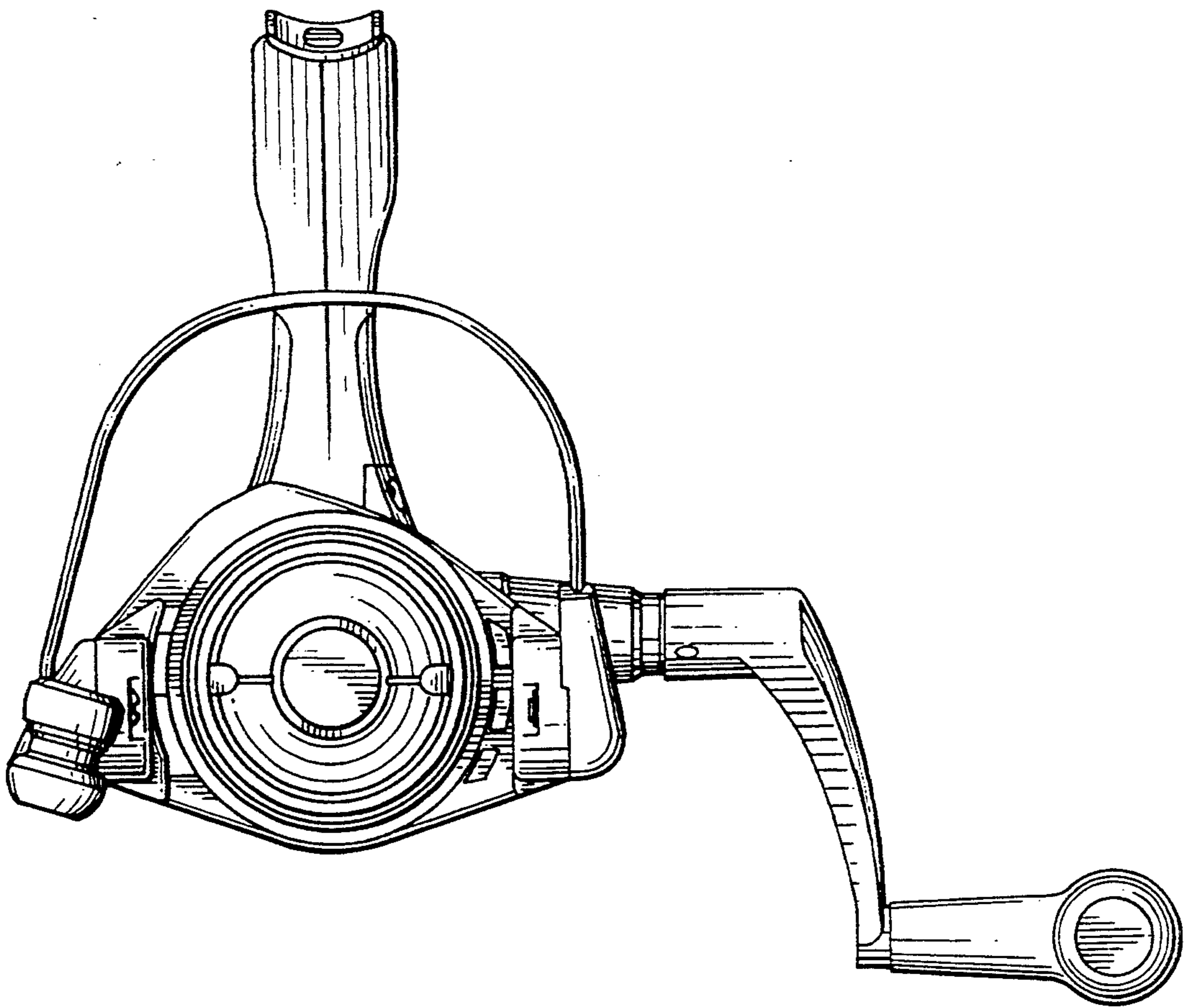


FIG. 1

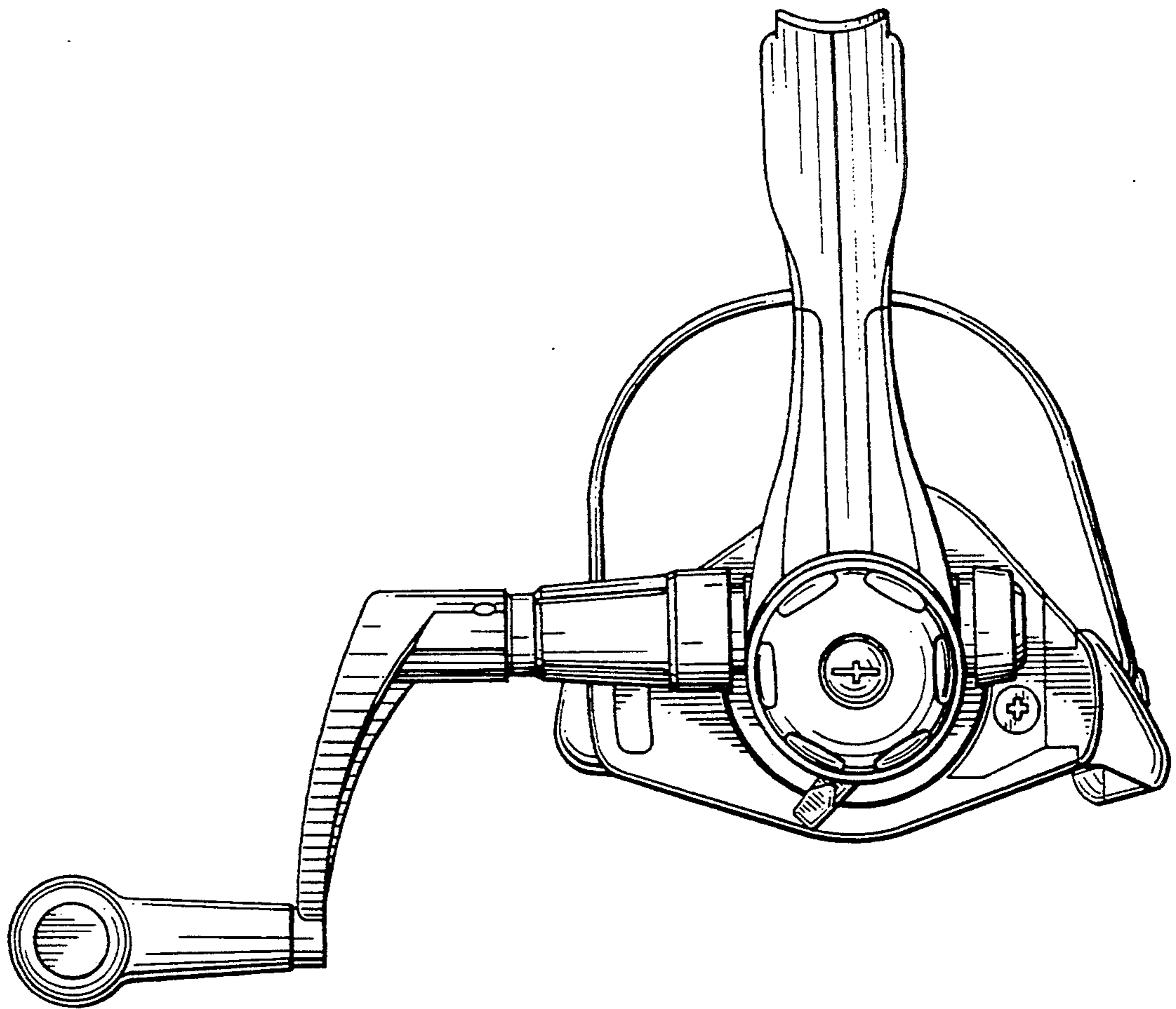


FIG. 2

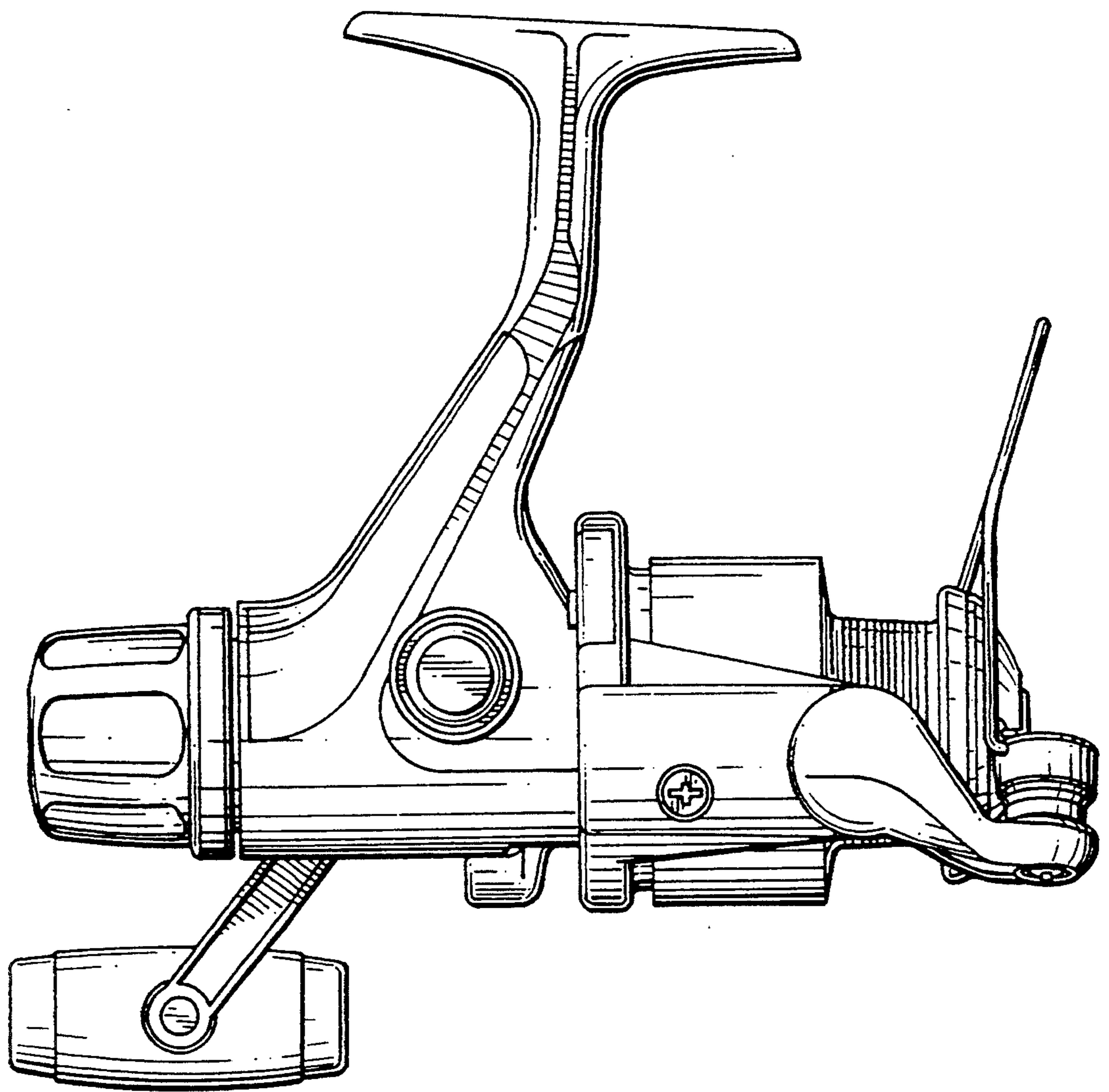


FIG. 3

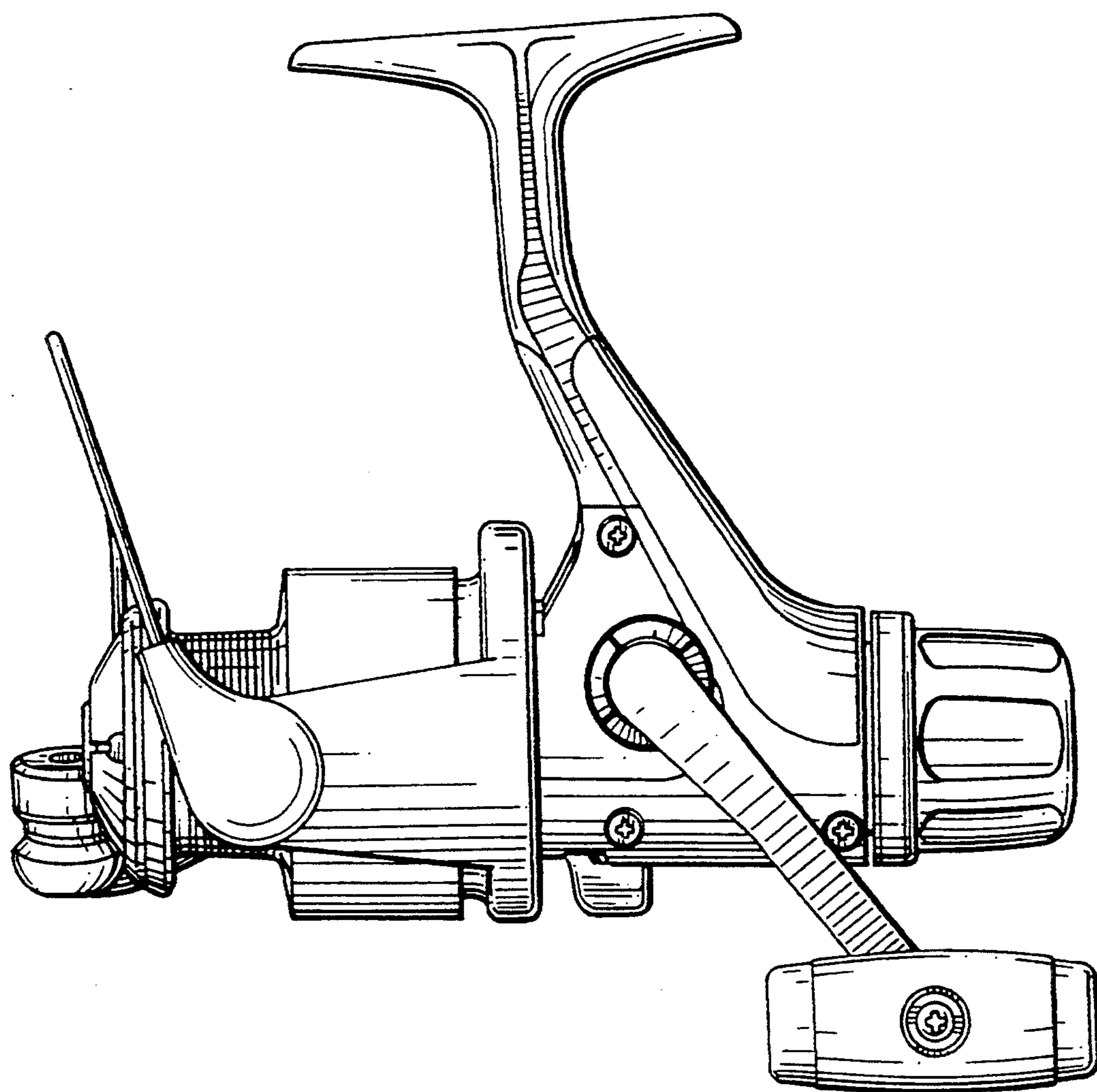


FIG. 4

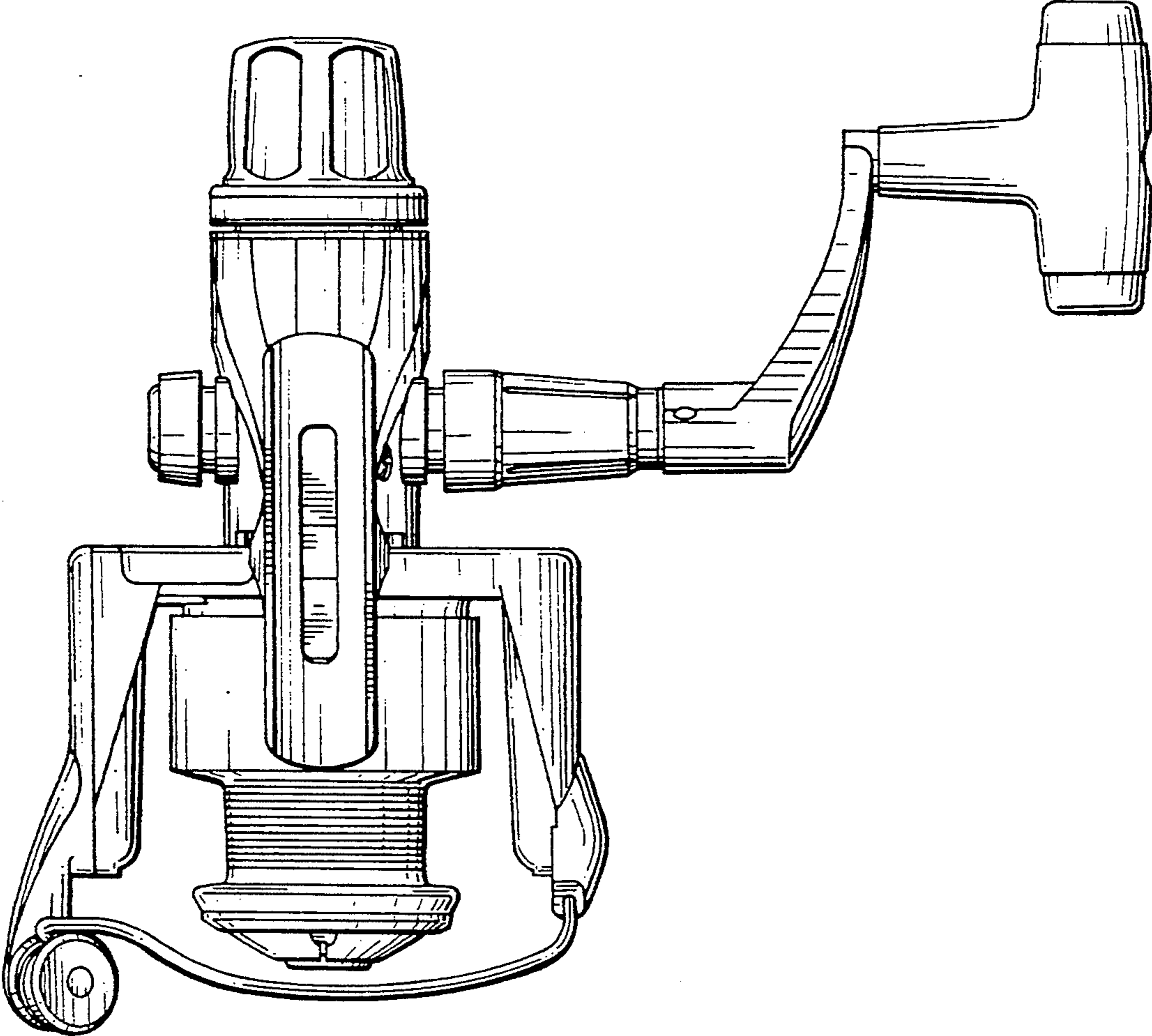


FIG. 5

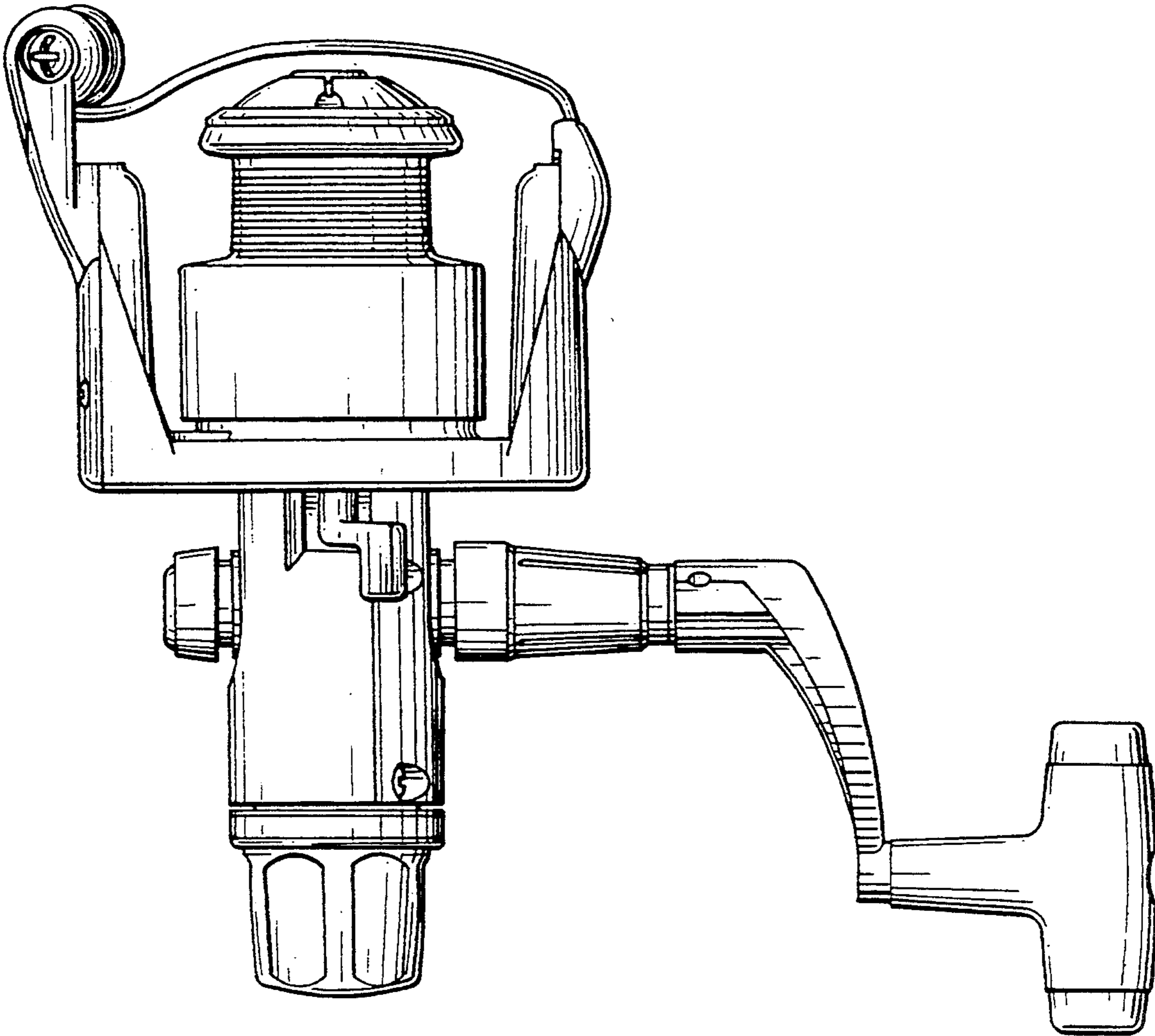


FIG. 6

UNITED STATES PATENT AND TRADEMARK OFFICE
CERTIFICATE OF CORRECTION

PATENT NO. : Des. 352,762
DATED : November 22, 1994
INVENTOR(S) : Sakurai

Page 1 of 8

It is certified that error appears in the above-identified patent and that said Letters Patent is hereby corrected as shown below:

The title page, showing an illustrative figure, should be deleted and substitute therefor the attached title page.

Delete Drawing Sheets 1-6, and substitute therefor the Drawing Sheets, consisting of Figures 1-6, as shown on the attached pages.

Signed and Sealed this
Fifteenth Day of April, 1997



BRUCE LEHMAN

Commissioner of Patents and Trademarks

Attest:

Attesting Officer

United States Patent [19]
Sakurai

[11] **Patent Number: Des. 352,762**

[45] **Date of Patent: ** Nov. 22, 1994**

[54] **SPINNING REEL**

[75] **Inventor: Tomoharu Sakurai, Wakayama, Japan**

[73] **Assignee: Shimano Inc., Osaka, Japan**

[**] **Term: 14 Years**

[21] **Appl. No.: 948,861**

[22] **Filed: Sep. 15, 1992**

[52] **U.S. Cl. D22/141**

[58] **Field of Search 242/224, 230, 231, 232, 242/233, 245, 246, 248, 247; D22/141**

[56] **References Cited**

U.S. PATENT DOCUMENTS

- D. 308,717 6/1990 Hiraishi et al. D22/141
- D. 326,499 5/1992 Nouma D22/141

OTHER PUBLICATIONS

Cabela's Spring 1991, © 1989, p. 22, Shimano's Bi-omaster GT Reel.

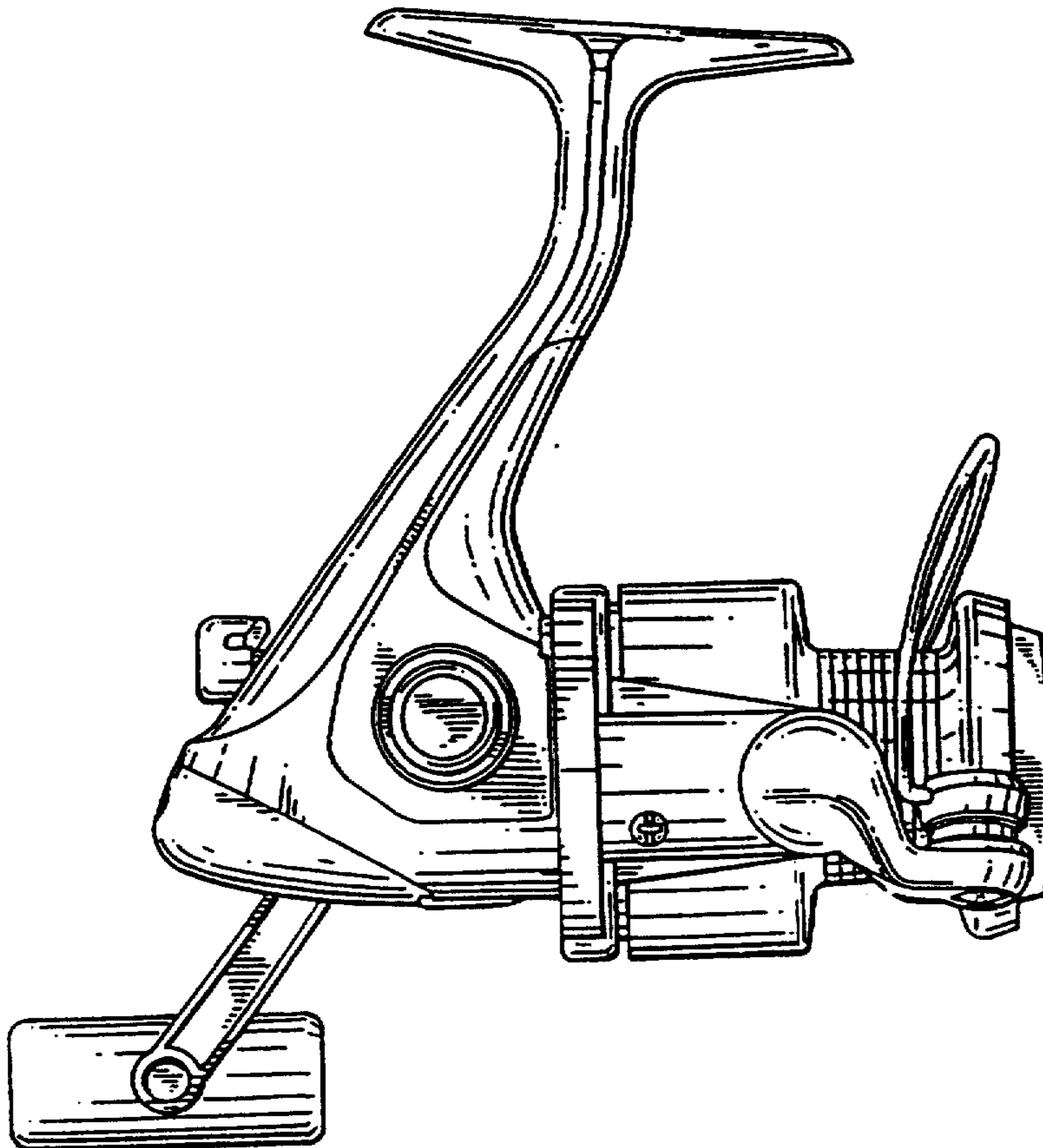
Primary Examiner—A Hugo Word
Assistant Examiner—Doris V. Coles
Attorney, Agent, or Firm—Dickstein, Shapiro & Morin

[57] **CLAIM**

The ornamental design for a spinning reel, as shown and described.

DESCRIPTION

FIG. 1 is a front view of my spinning reel;
 FIG. 2 is a rear view thereof;
 FIG. 3 is a left side view thereof;
 FIG. 4 is a right side view thereof;
 FIG. 5 is a top plan thereof; and,
 FIG. 6 is a bottom view thereof.



UNITED STATES PATENT AND TRADEMARK OFFICE
CERTIFICATE OF CORRECTION

PATENT NO. : Des. 352,762
DATED : November 22, 1994
INVENTOR(S) : Sakurai

Page 3 of 8

It is certified that error appears in the above-identified patent and that said Letters Patent is hereby corrected as shown below:

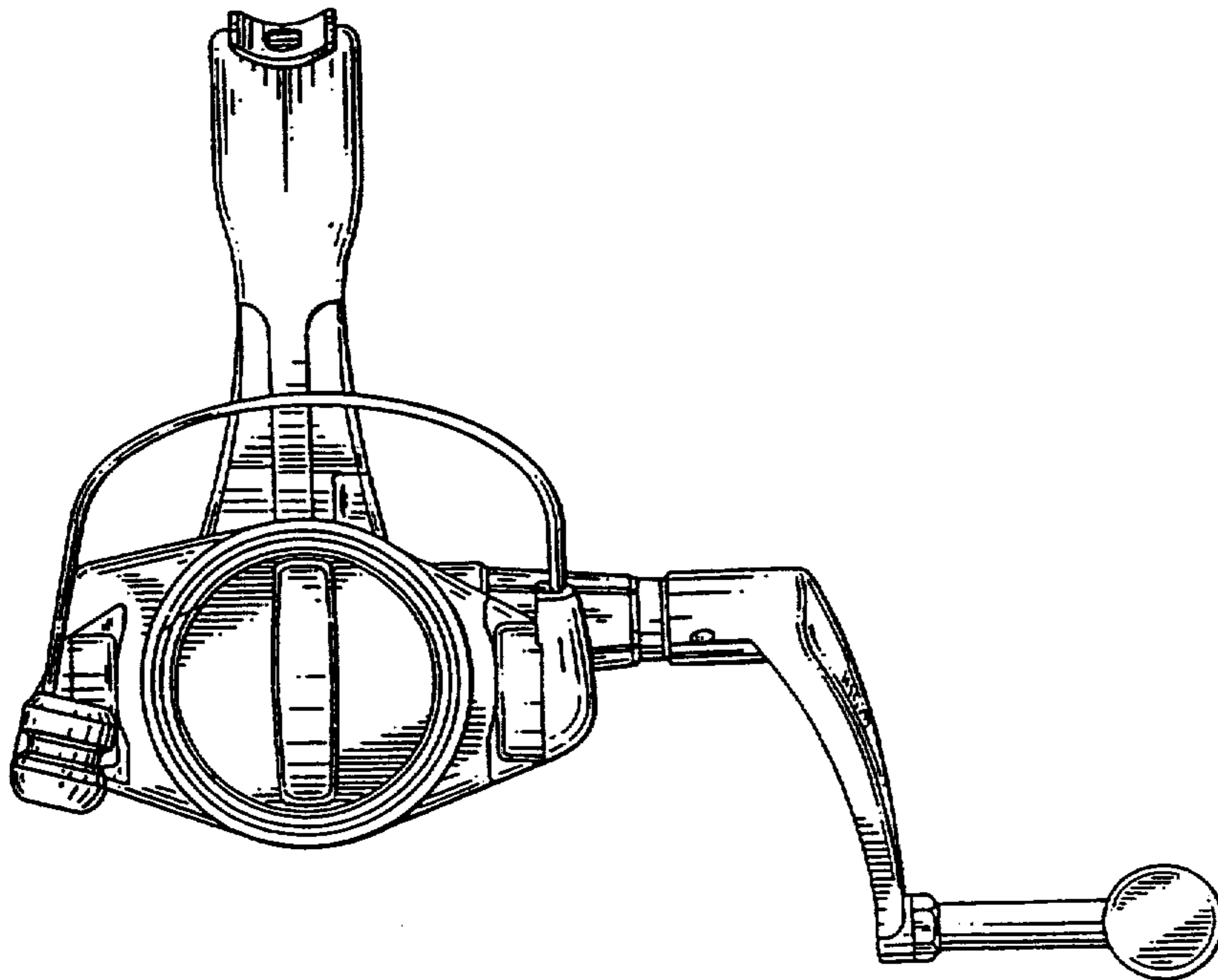


FIG. 1

UNITED STATES PATENT AND TRADEMARK OFFICE
CERTIFICATE OF CORRECTION

PATENT NO. : Des. 352,762
DATED : November 22, 1994
INVENTOR(S) : Sakurai

Page 4 of 8

It is certified that error appears in the above-identified patent and that said Letters Patent is hereby corrected as shown below:

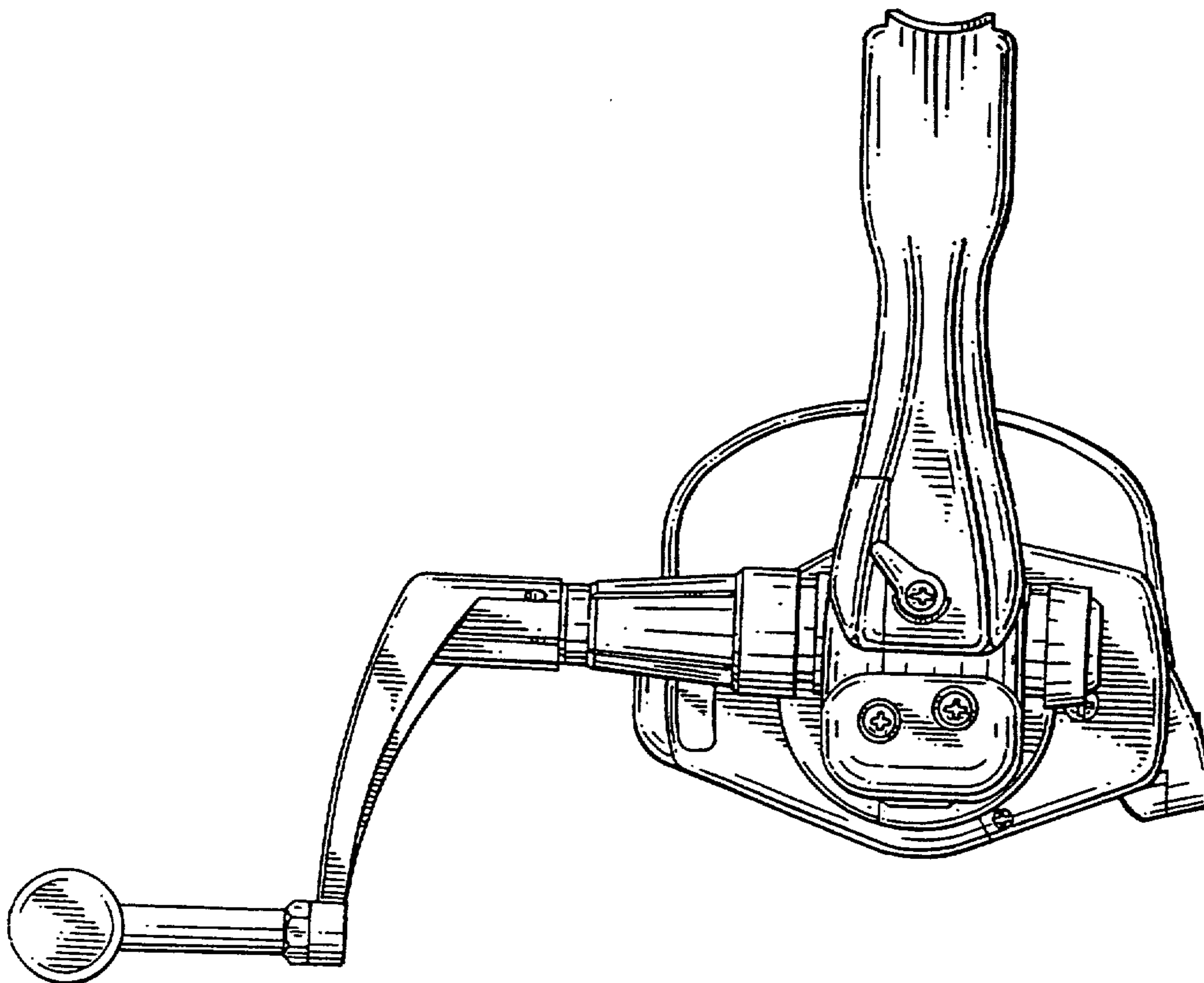


FIG. 2

UNITED STATES PATENT AND TRADEMARK OFFICE
CERTIFICATE OF CORRECTION

PATENT NO. : Des. 352,762
DATED : November 22, 1994
INVENTOR(S) : Sakurai

Page 5 of 8

It is certified that error appears in the above-identified patent and that said Letters Patent is hereby corrected as shown below:

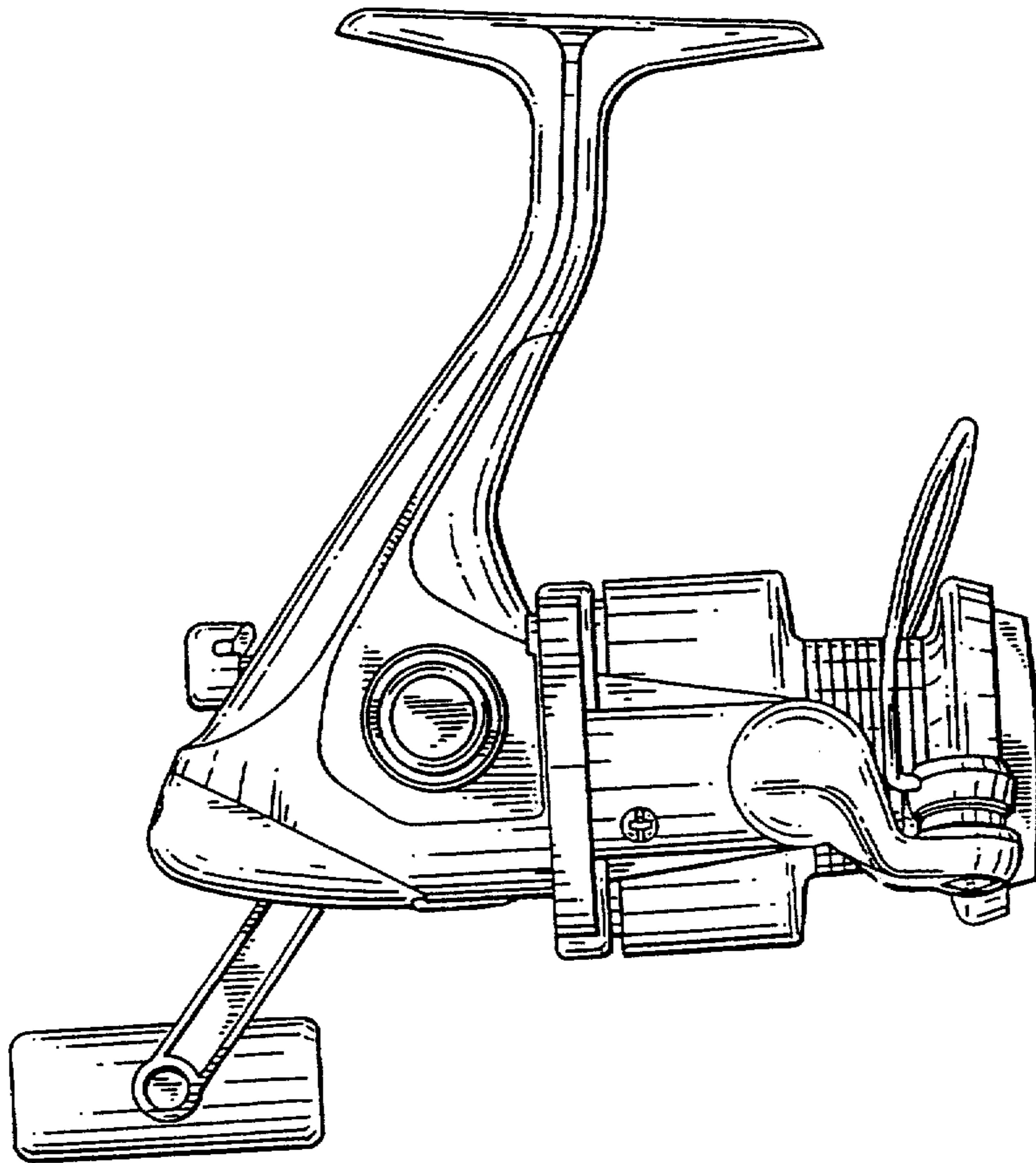


FIG. 3

UNITED STATES PATENT AND TRADEMARK OFFICE
CERTIFICATE OF CORRECTION

PATENT NO. : Des. 352,762

Page 6 of 8

DATED : November 22, 1994

INVENTOR(S) : Sakurai

It is certified that error appears in the above-identified patent and that said Letters Patent is hereby corrected as shown below:

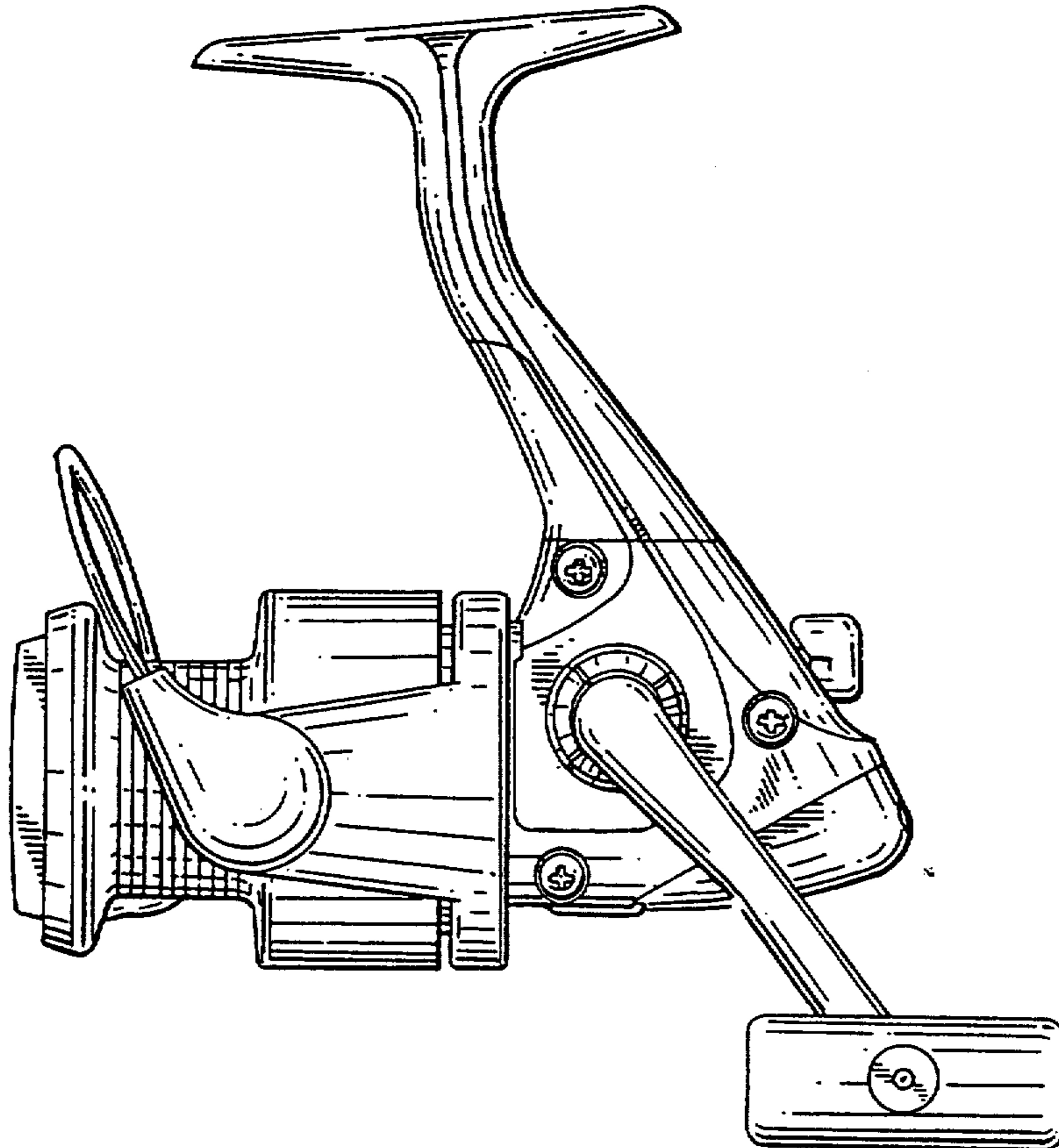


FIG. 4

UNITED STATES PATENT AND TRADEMARK OFFICE
CERTIFICATE OF CORRECTION

PATENT NO. : Des. 352, 762

Page 7 of 8

DATED : November 22, 1994

INVENTOR(S) : Sakurai

It is certified that error appears in the above-identified patent and that said Letters Patent is hereby corrected as shown below:

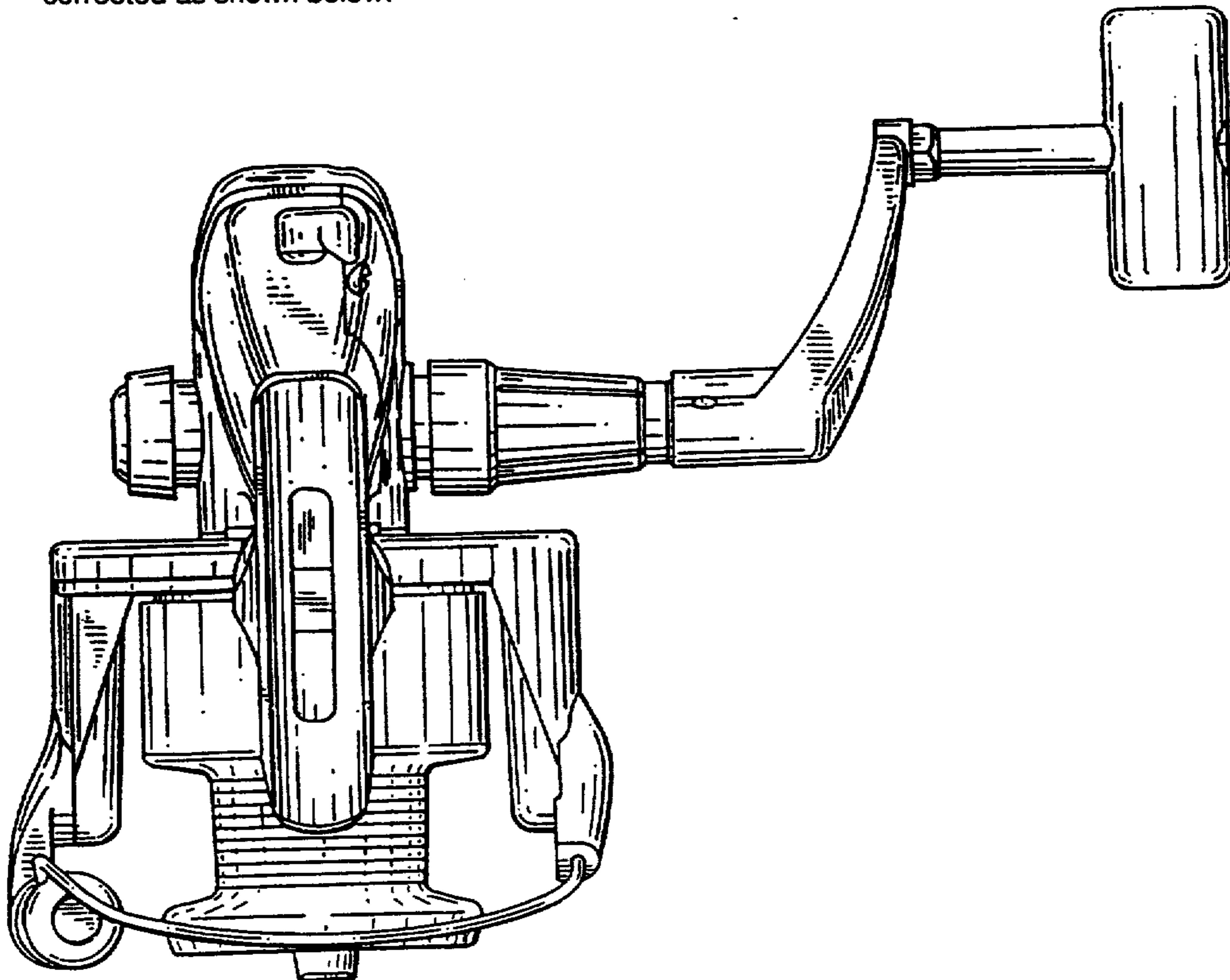


FIG. 5

UNITED STATES PATENT AND TRADEMARK OFFICE
CERTIFICATE OF CORRECTION

PATENT NO. : Des. 352,762

Page 8 of 8

DATED : November 22, 1994

INVENTOR(S) : Sakurai

It is certified that error appears in the above-identified patent and that said Letters Patent is hereby corrected as shown below:

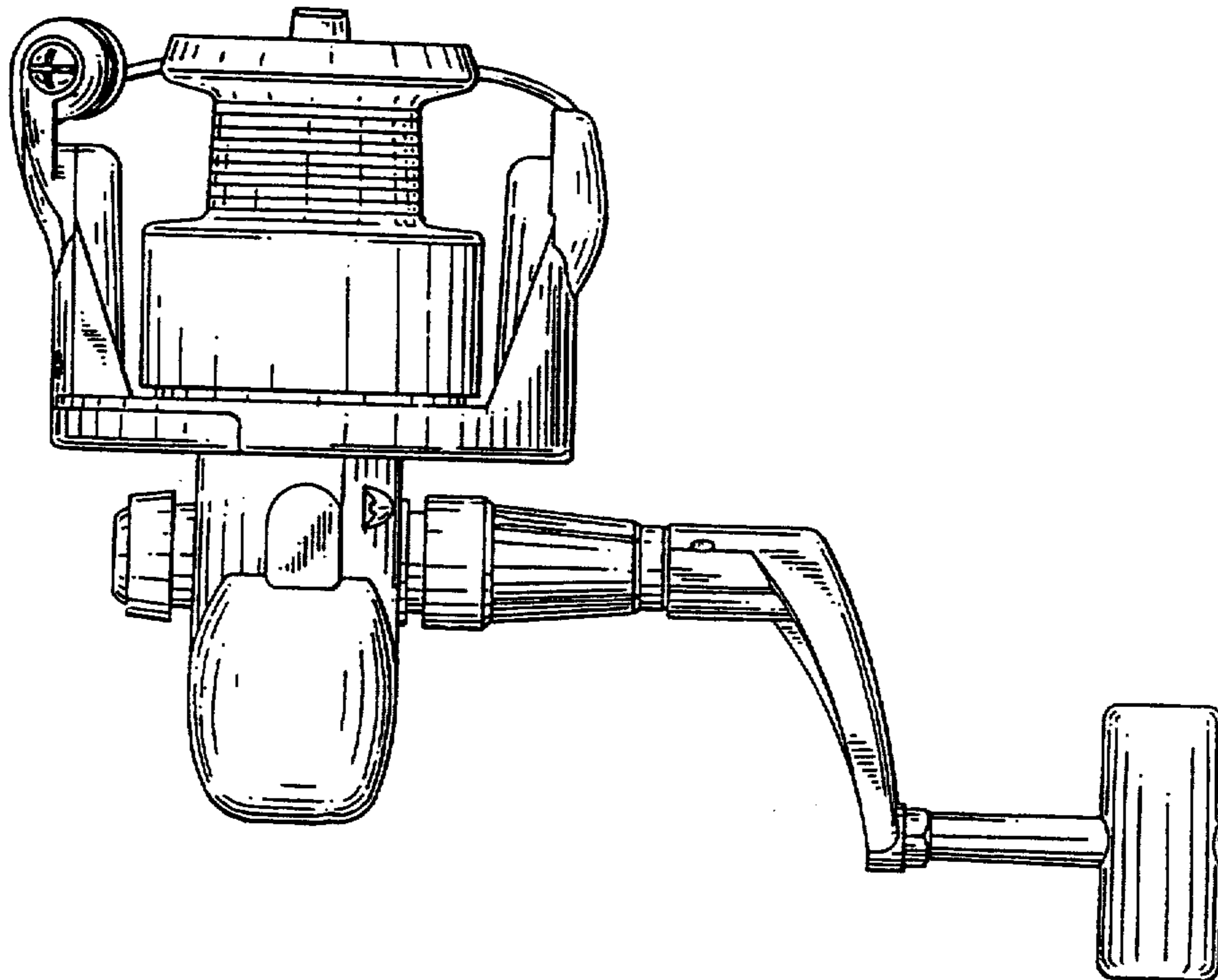


FIG. 6