



US00D352761S

United States Patent [19]
Sakurai

[11] **Patent Number: Des. 352,761**
[45] **Date of Patent: ** Nov. 22, 1994**

[54] **FISHING REEL**

D. 326,499 5/1992 Nouma D22/141

[75] **Inventor: Tomoharu Sakurai, Wakayama, Japan**

OTHER PUBLICATIONS

Cabela's Spring 1991, ©1989, p. 22, Shimano's Biomaster GT.

[73] **Assignee: Shimano Inc., Osaka, Japan**

Primary Examiner—A. Hugo Word

[**] **Term: 14 Years**

Assistant Examiner—Doris V. Coles

[21] **Appl. No.: 918,400**

Attorney, Agent, or Firm—Dickstein, Shapiro & Morin

[22] **Filed: Jul. 27, 1992**

[57] **CLAIM**

[30] **Foreign Application Priority Data**

The ornamental design for a fishing reel, as shown and described.

Feb. 6, 1992 [JP] Japan 4-2600

DESCRIPTION

[52] **U.S. Cl. D22/141**

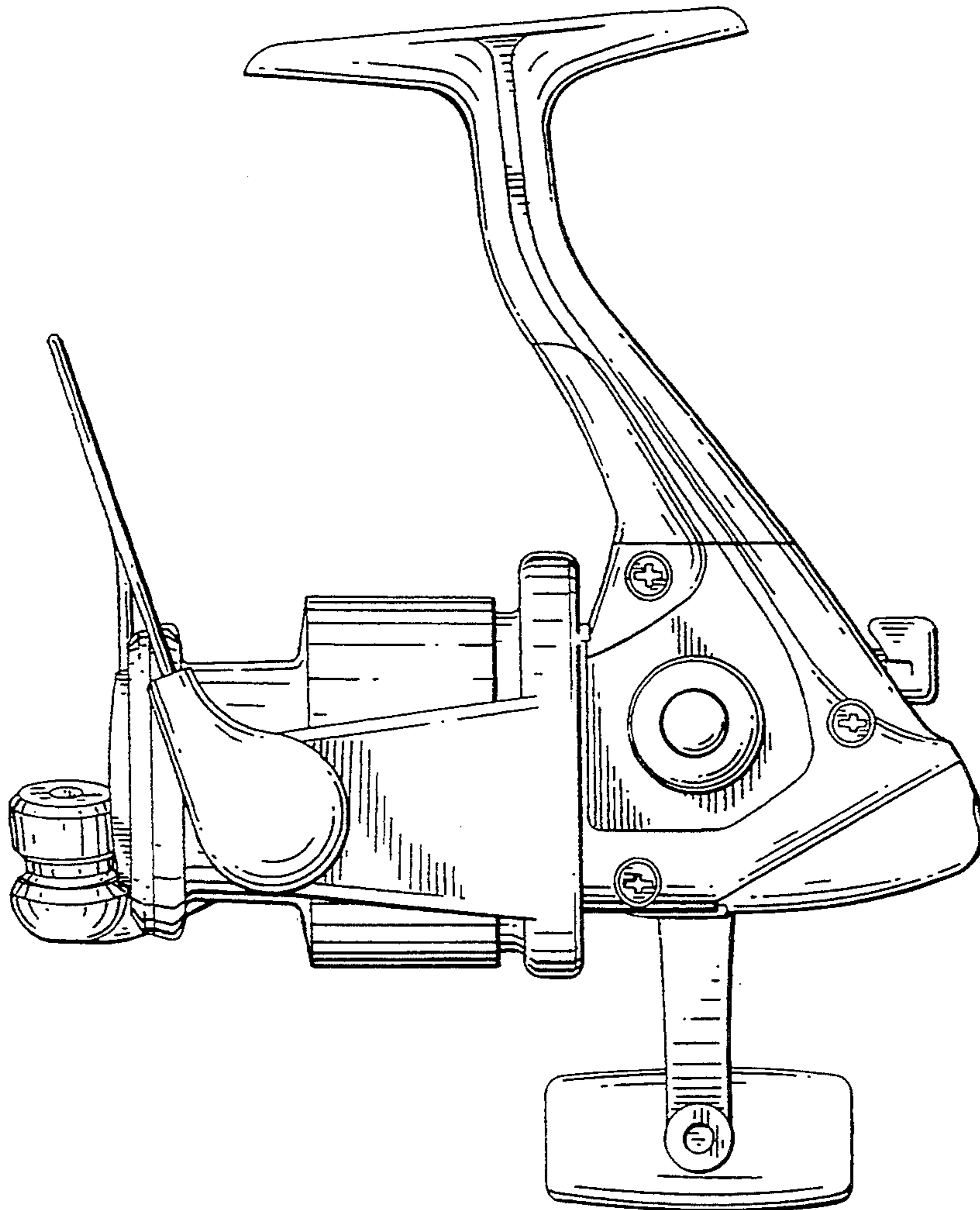
[58] **Field of Search** 242/224, 230, 231, 232, 242/233, 245, 246, 248, 247; D22/141

FIG. 1 is a front elevation view of my fishing reel; FIG. 2 is a rear elevation view thereof; FIG. 3 is a left side view thereof; and, FIG. 4 is a right side view thereof; FIG. 5 is a top plan view thereof; and, FIG. 6 is a bottom view thereof.

[56] **References Cited**

U.S. PATENT DOCUMENTS

D. 308,717 6/1990 Hiraishi et al. D22/141



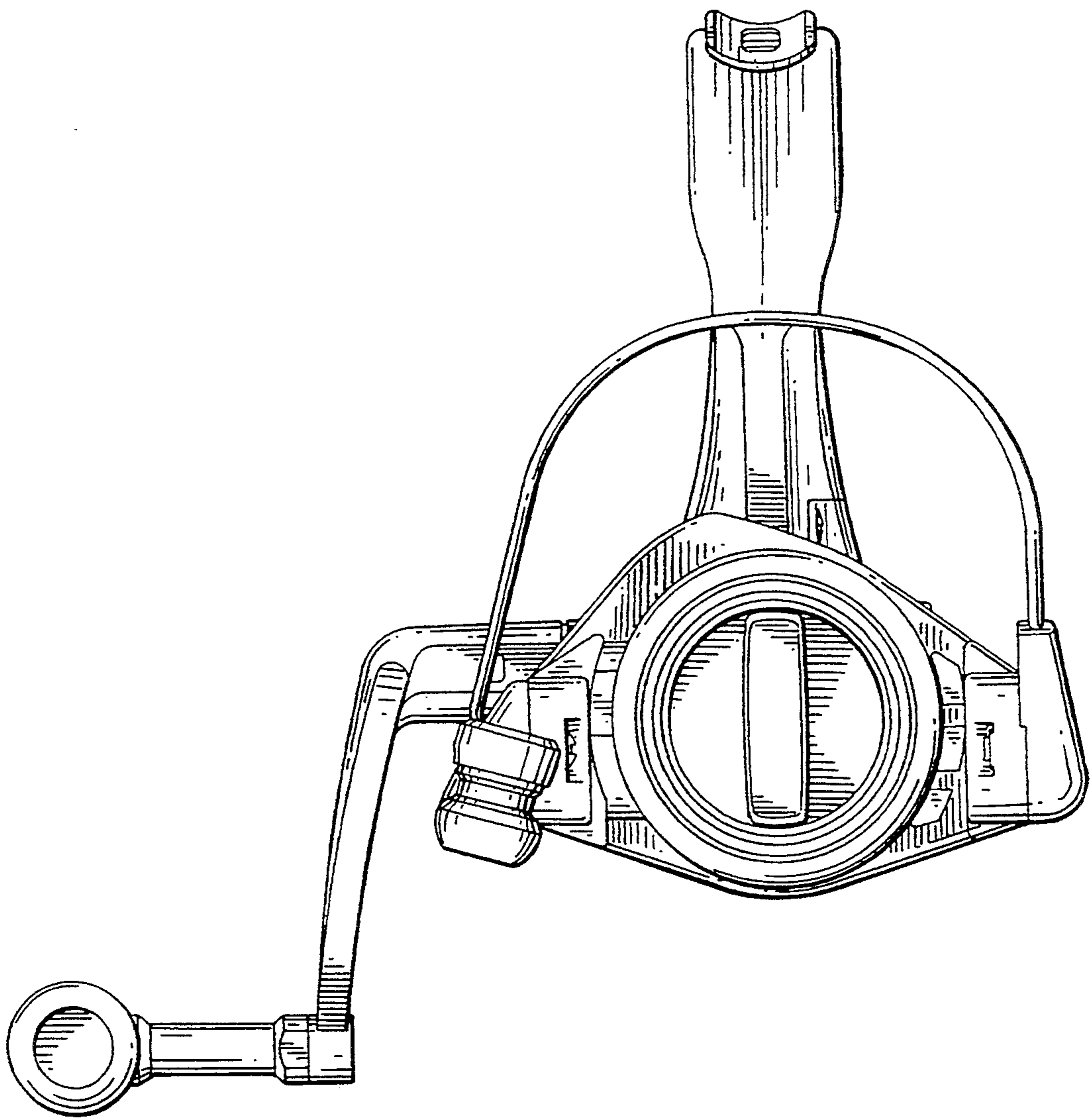


FIG. 1

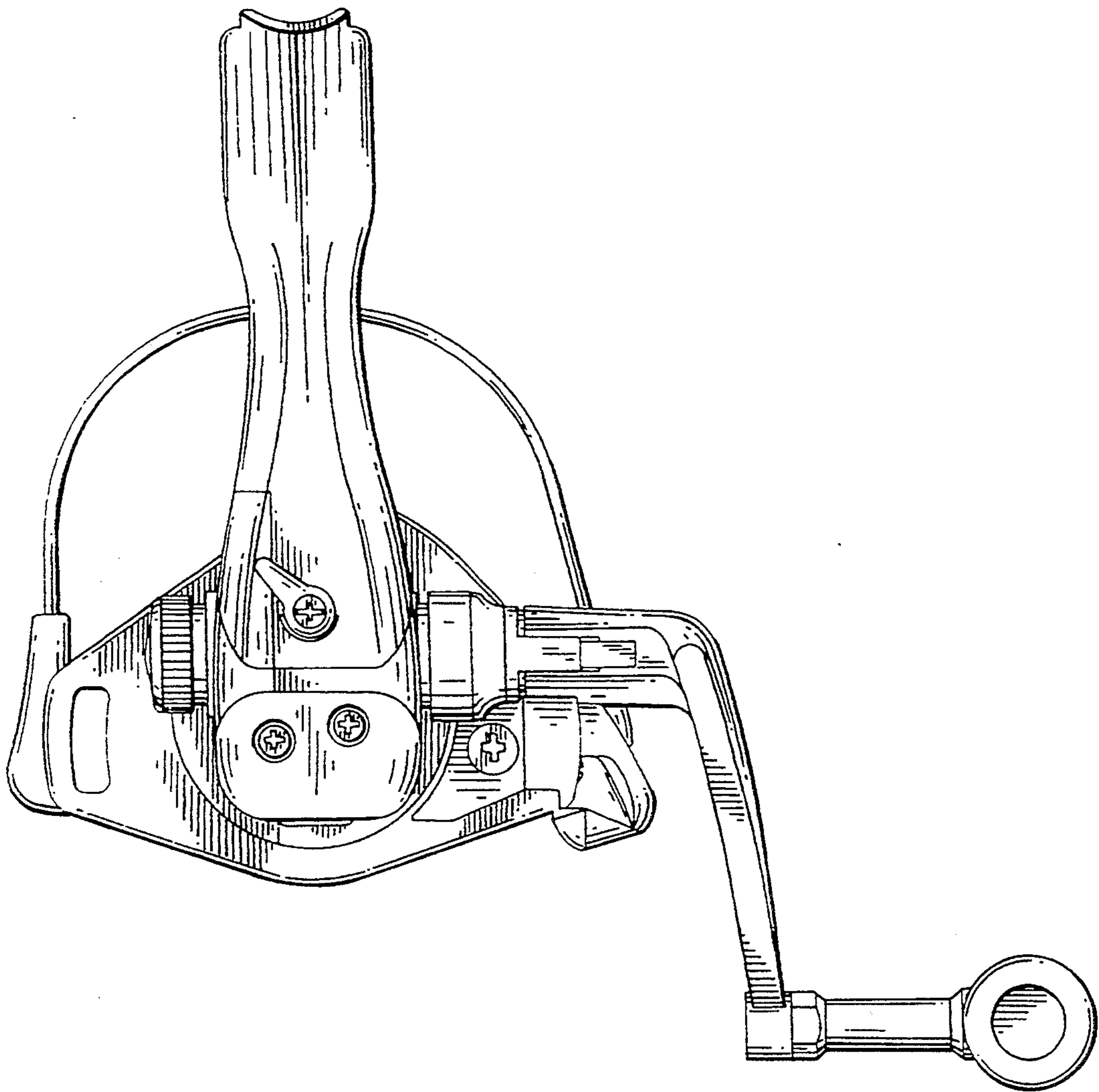


FIG. 2

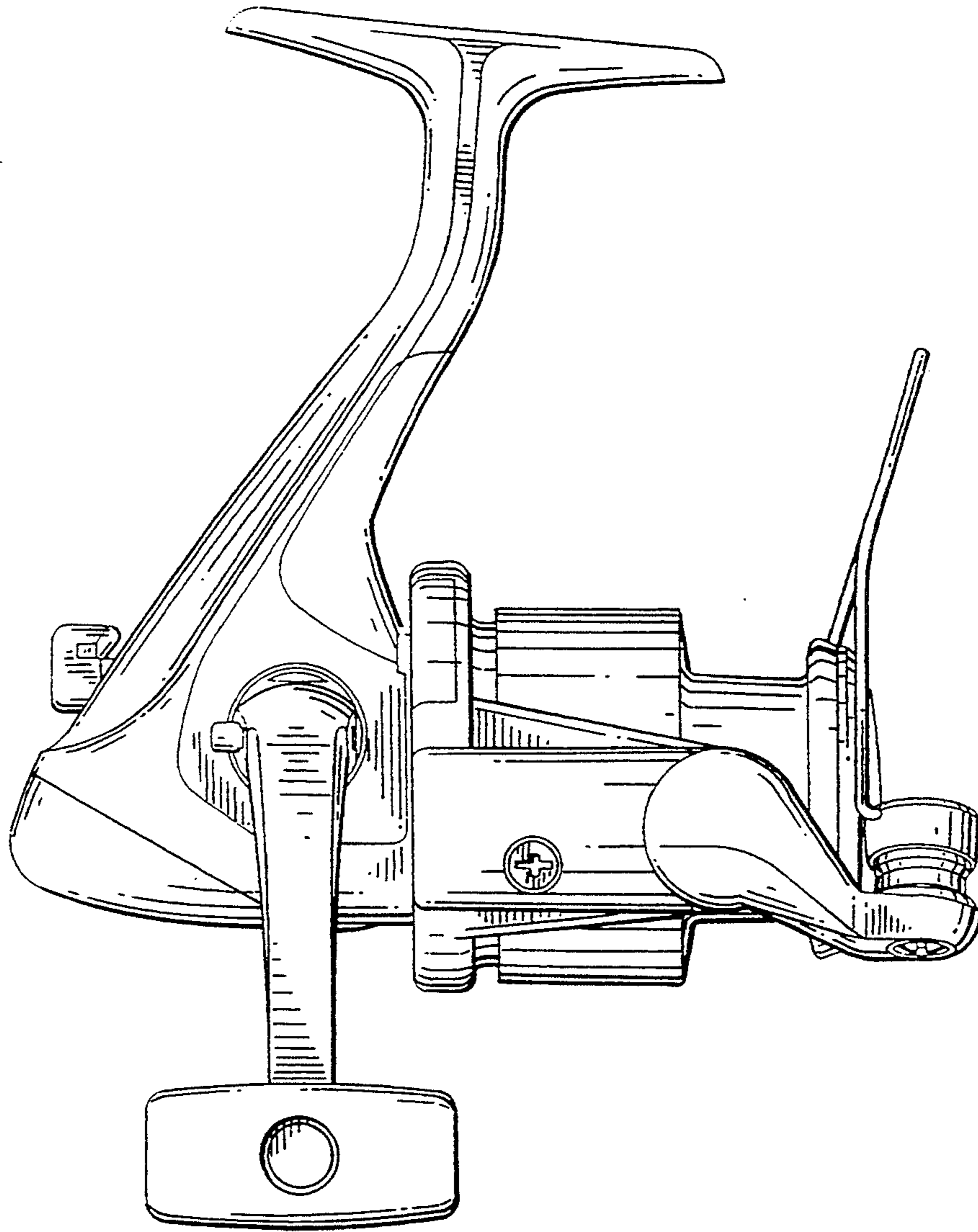


FIG. 3

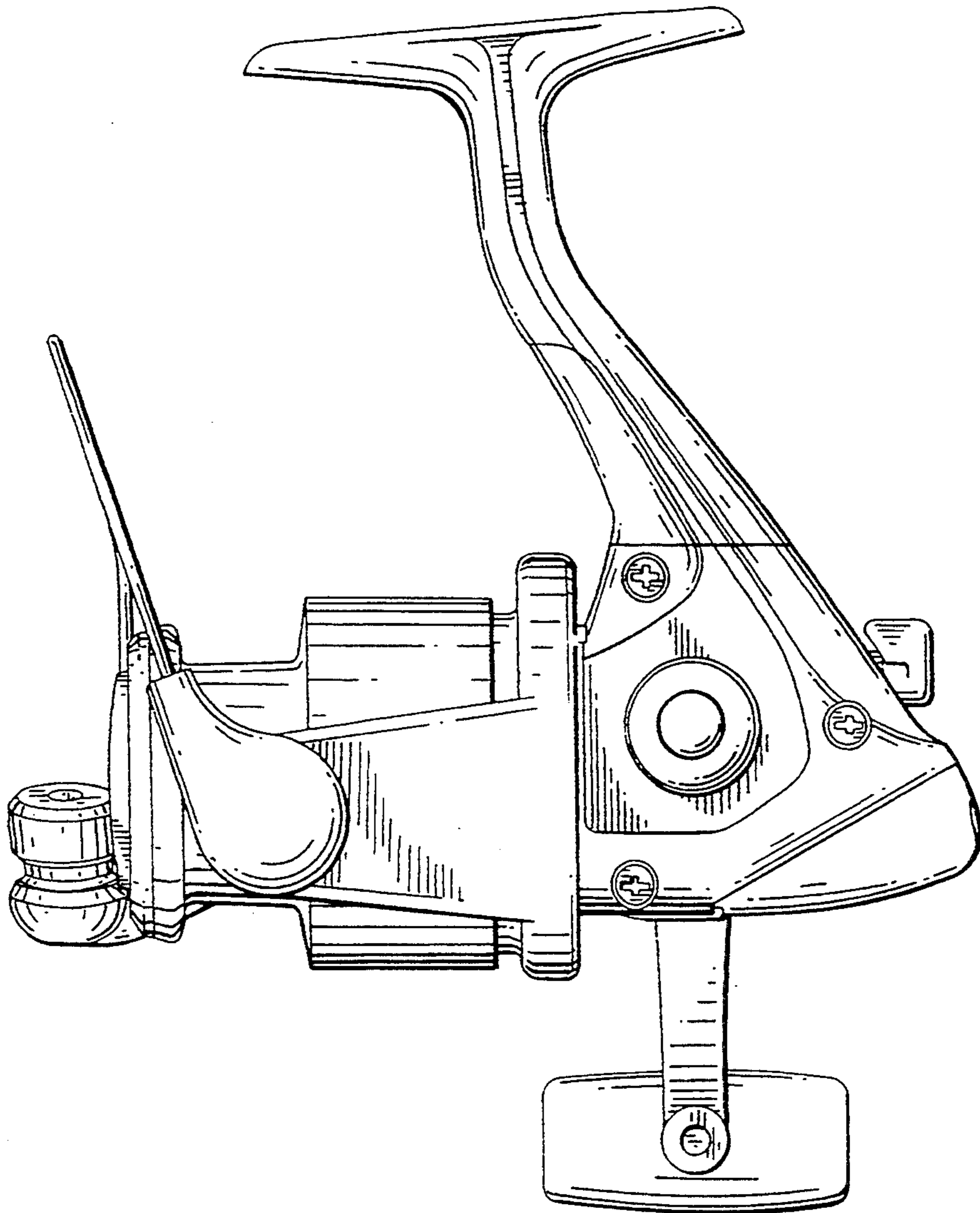


FIG. 4

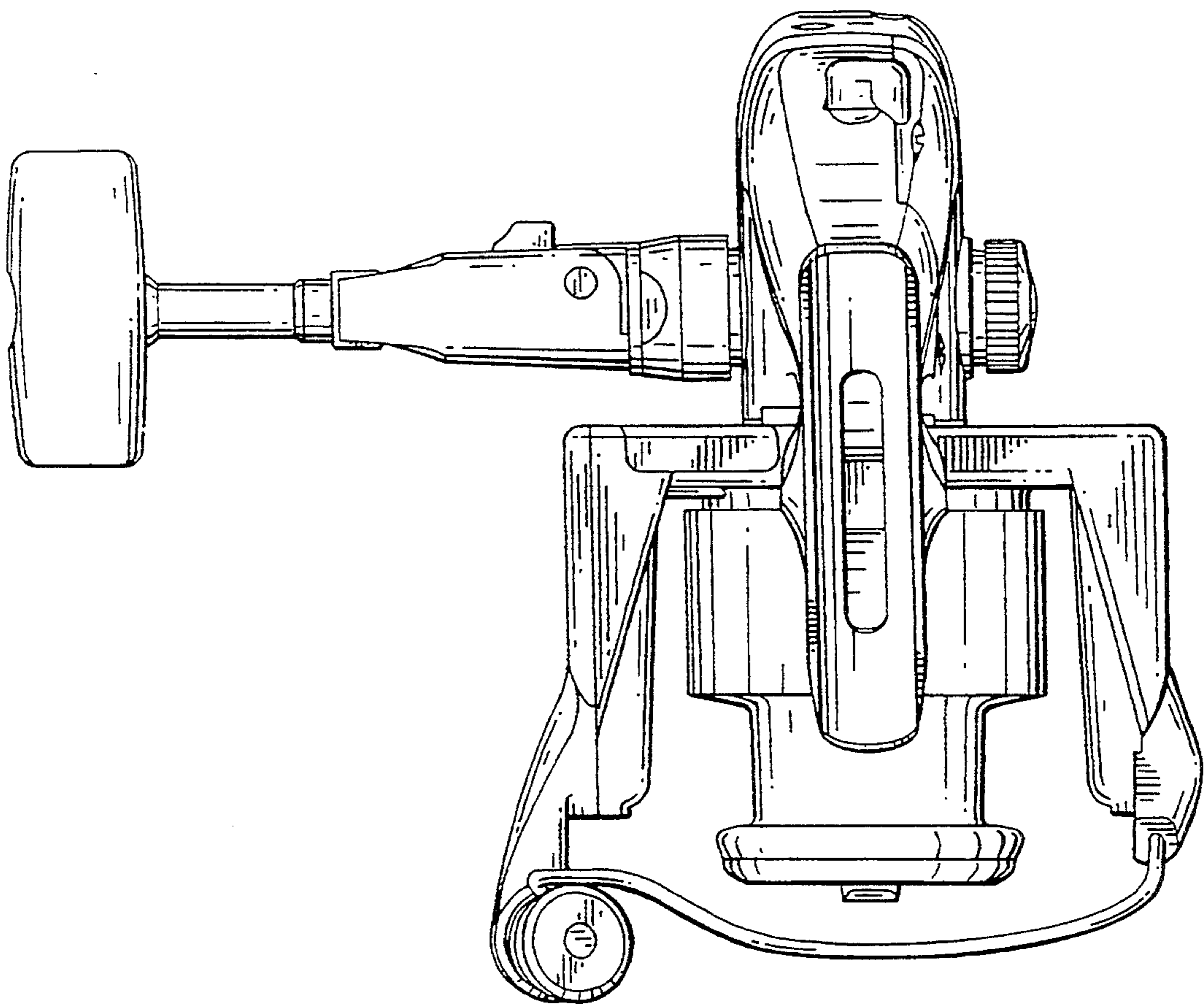


FIG. 5

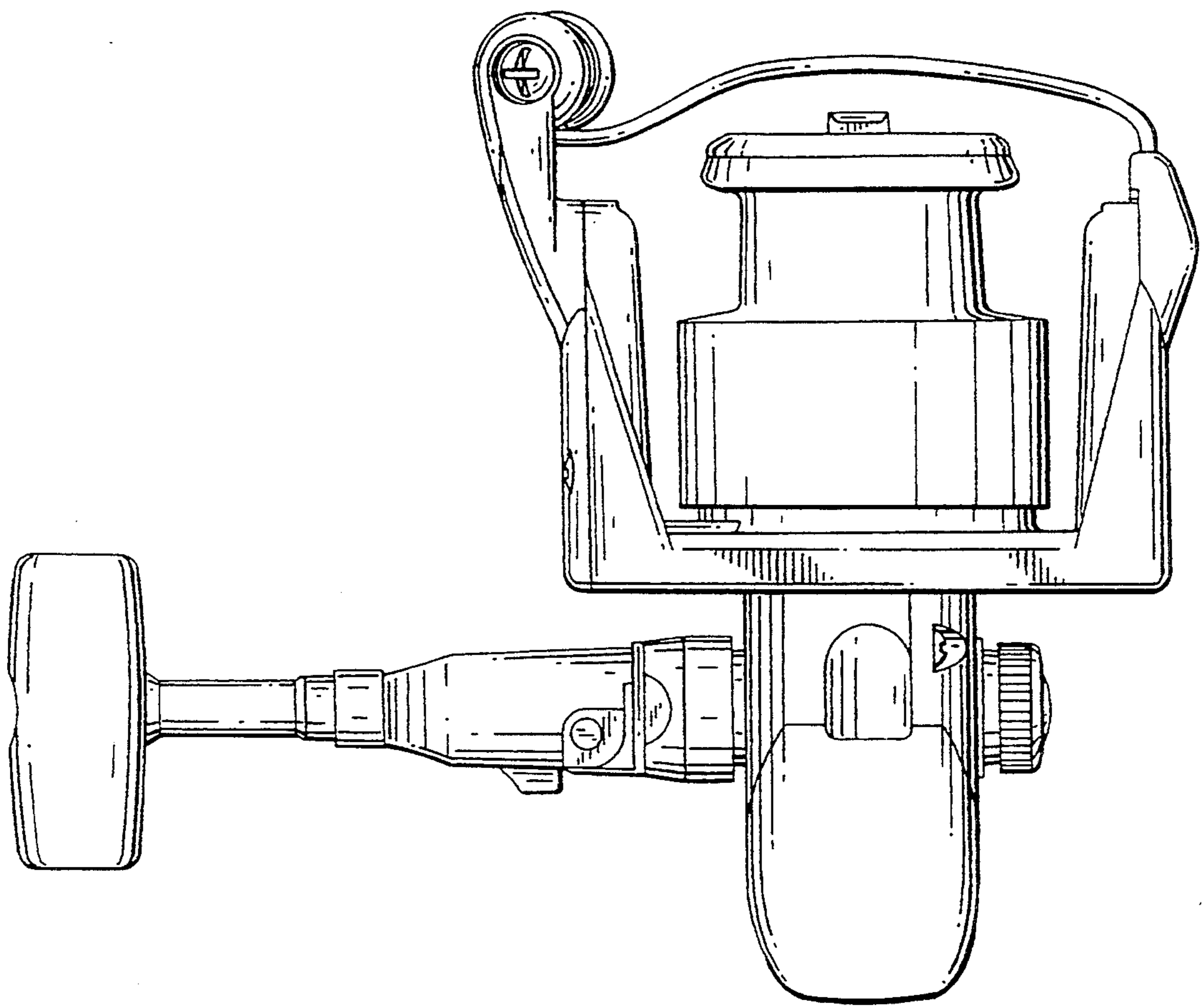


FIG. 6