



US00D352760S

United States Patent [19]

Terada et al.

[11] Patent Number: **Des. 352,760**

[45] Date of Patent: **** Nov. 22, 1994**

[54] FISHING REEL

[75] Inventors: **Koji Terada**, Yokohama; **Seiji Myojo**, Sakai; **Ryoichi Kishi**, Komae; **Fumiaki Kono**, Yokohama; **Akitoshi Oikawa**, Mitaka, all of Japan

[73] Assignee: **Shimano Inc.**, Osaka, Japan

[**] Term: **14 Years**

[21] Appl. No.: **927,367**

[22] Filed: **Aug. 10, 1992**

[52] U.S. Cl. **D22/141**

[58] Field of Search 242/224, 230, 231, 232, 242/233, 245, 246, 247, 248; D22/141

[56] References Cited

U.S. PATENT DOCUMENTS

D. 327,312 6/1992 Myojo D22/141
D. 336,677 6/1993 Shiozaki D22/141

Primary Examiner—A. Hugo Word
Assistant Examiner—Doris V. Coles
Attorney, Agent, or Firm—Dickstein, Shapiro & Morin

[57] CLAIM

The ornamental design for a fishing reel, as shown and described.

DESCRIPTION

FIG. 1 is a front view of a fishing reel, showing our new design;

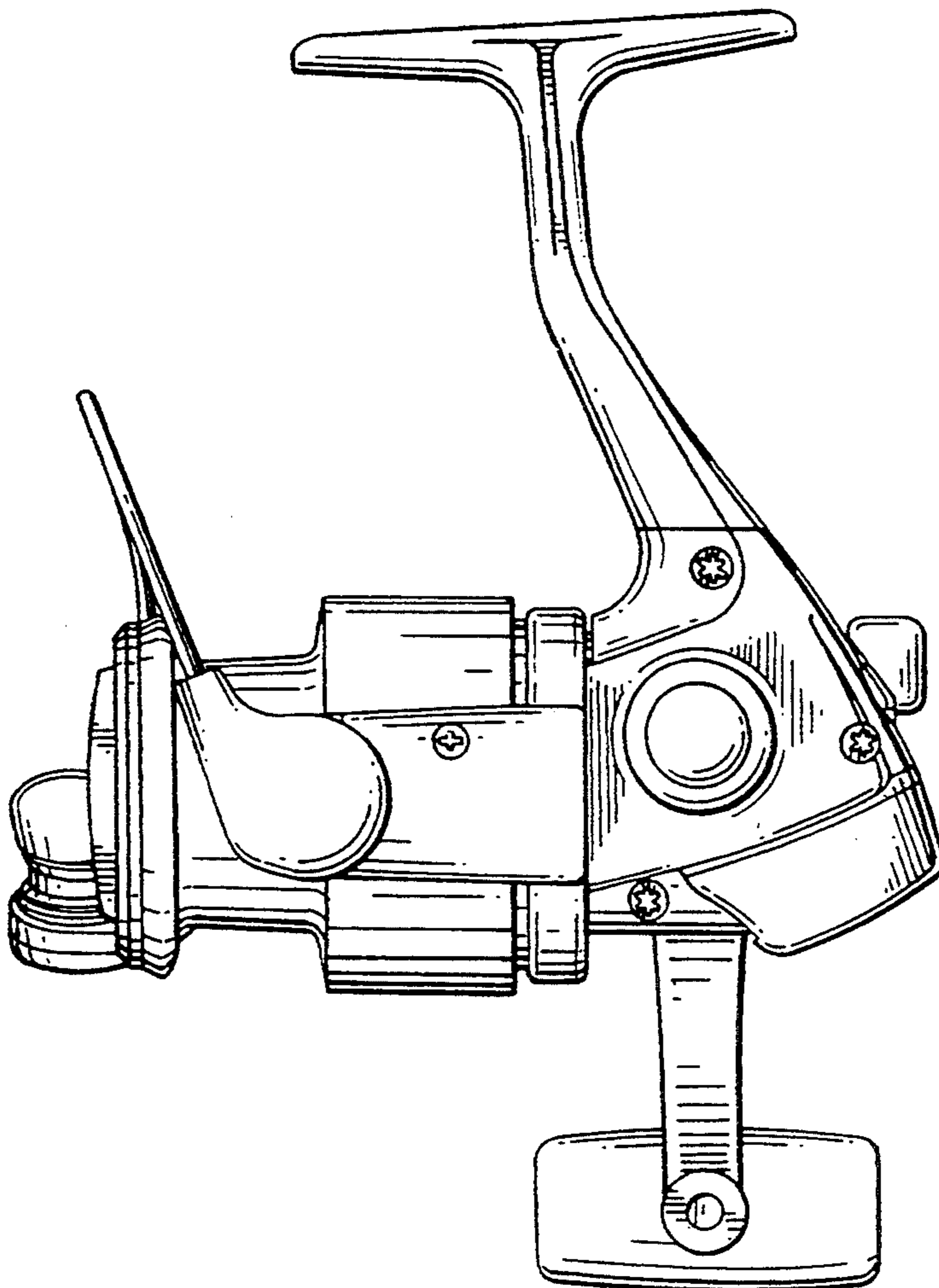
FIG. 2 is a rear view thereof;

FIG. 3 is a left side view thereof;

FIG. 4 is a right side view thereof;

FIG. 5 is a top plan view thereof; and,

FIG. 6 is a bottom view thereof.



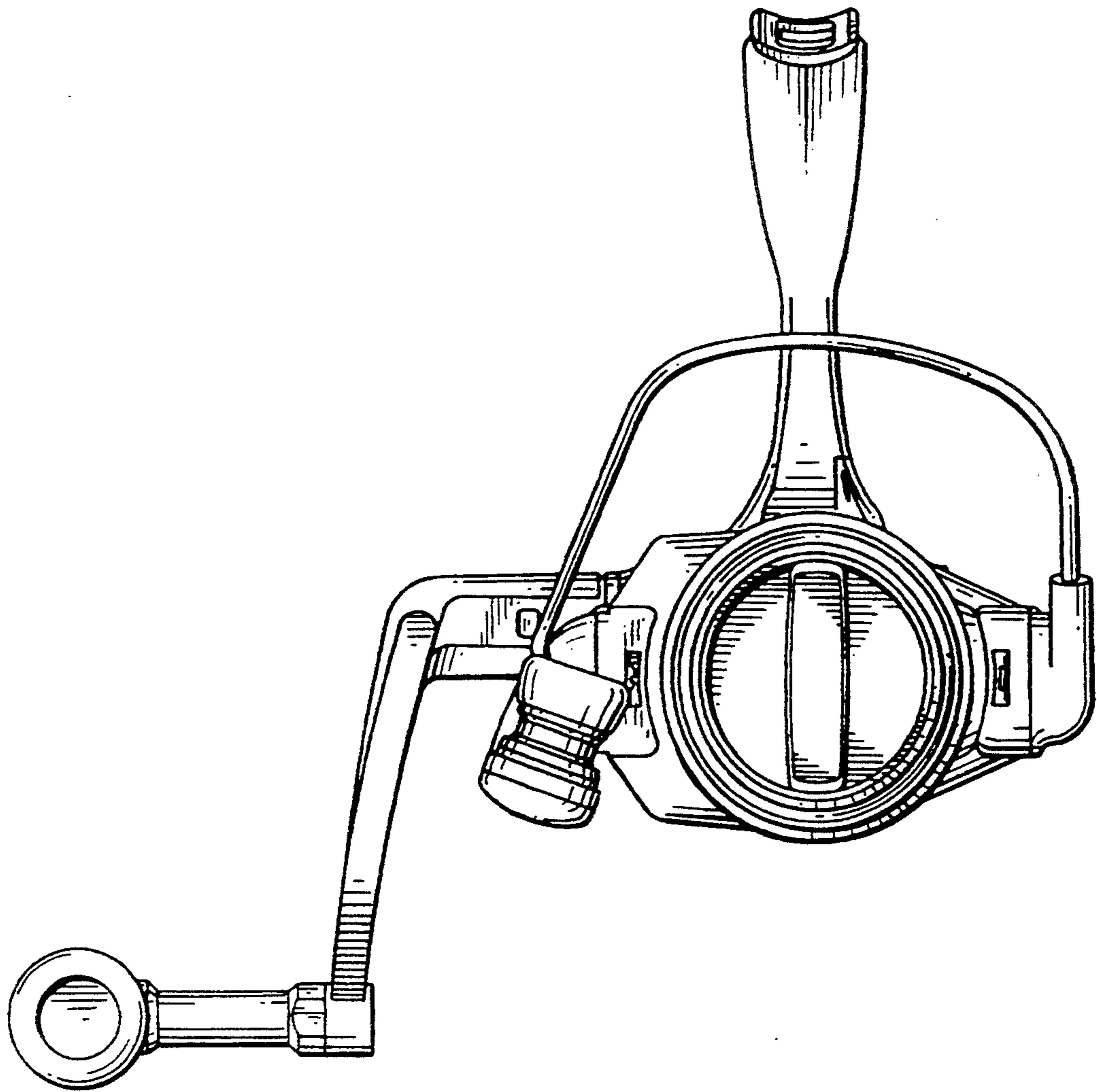


FIG. 1

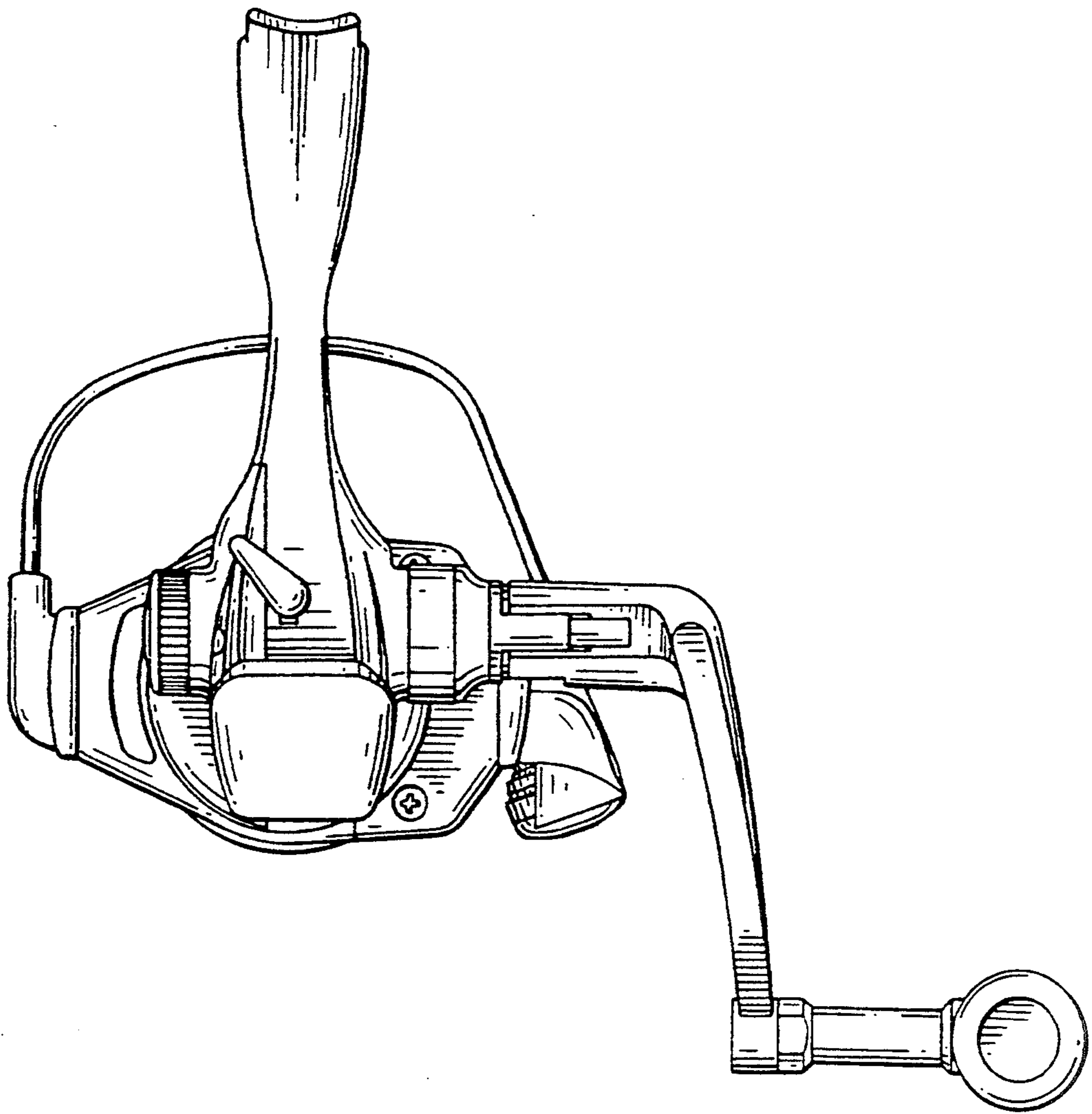


FIG. 2

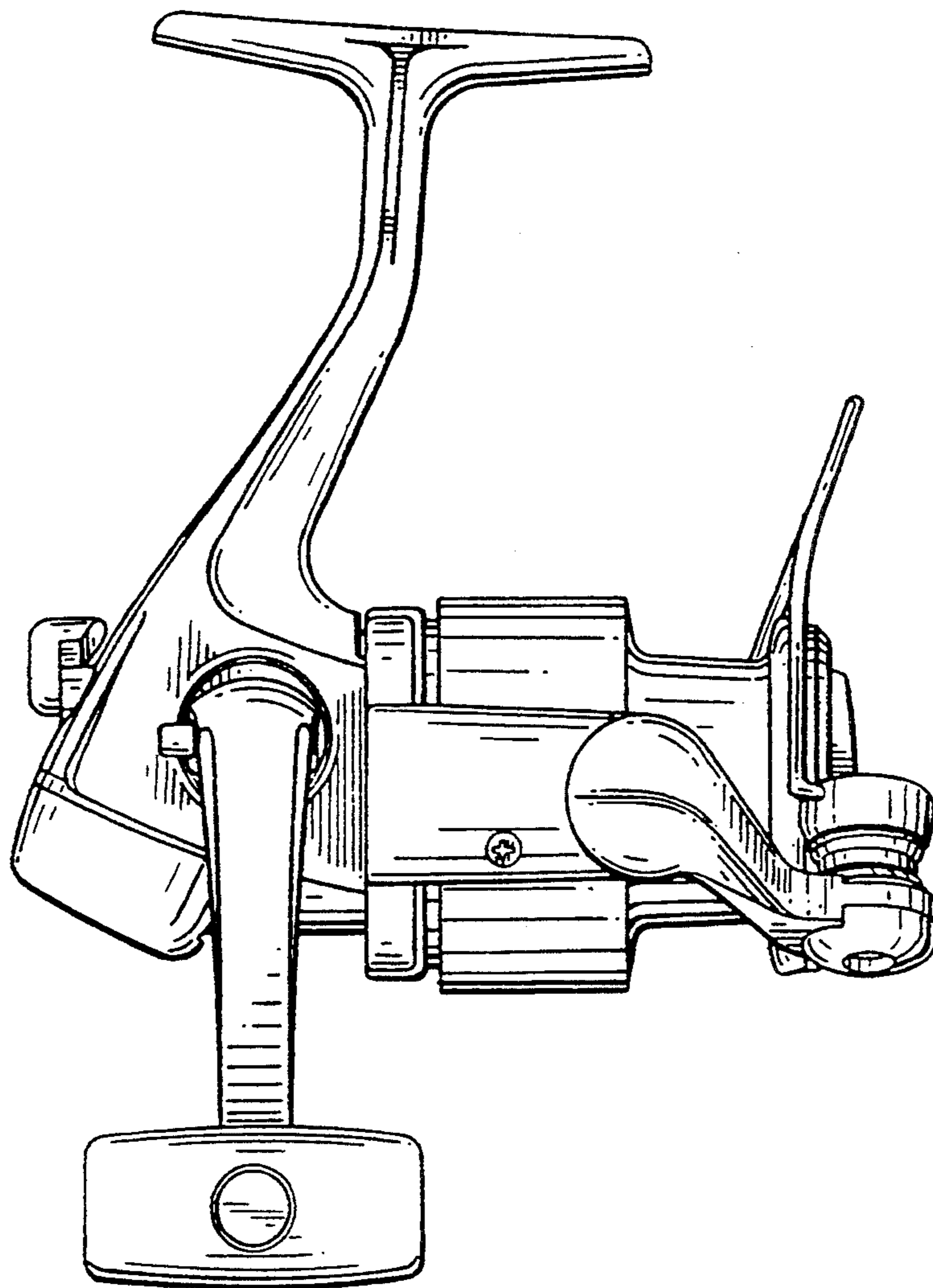


FIG. 3

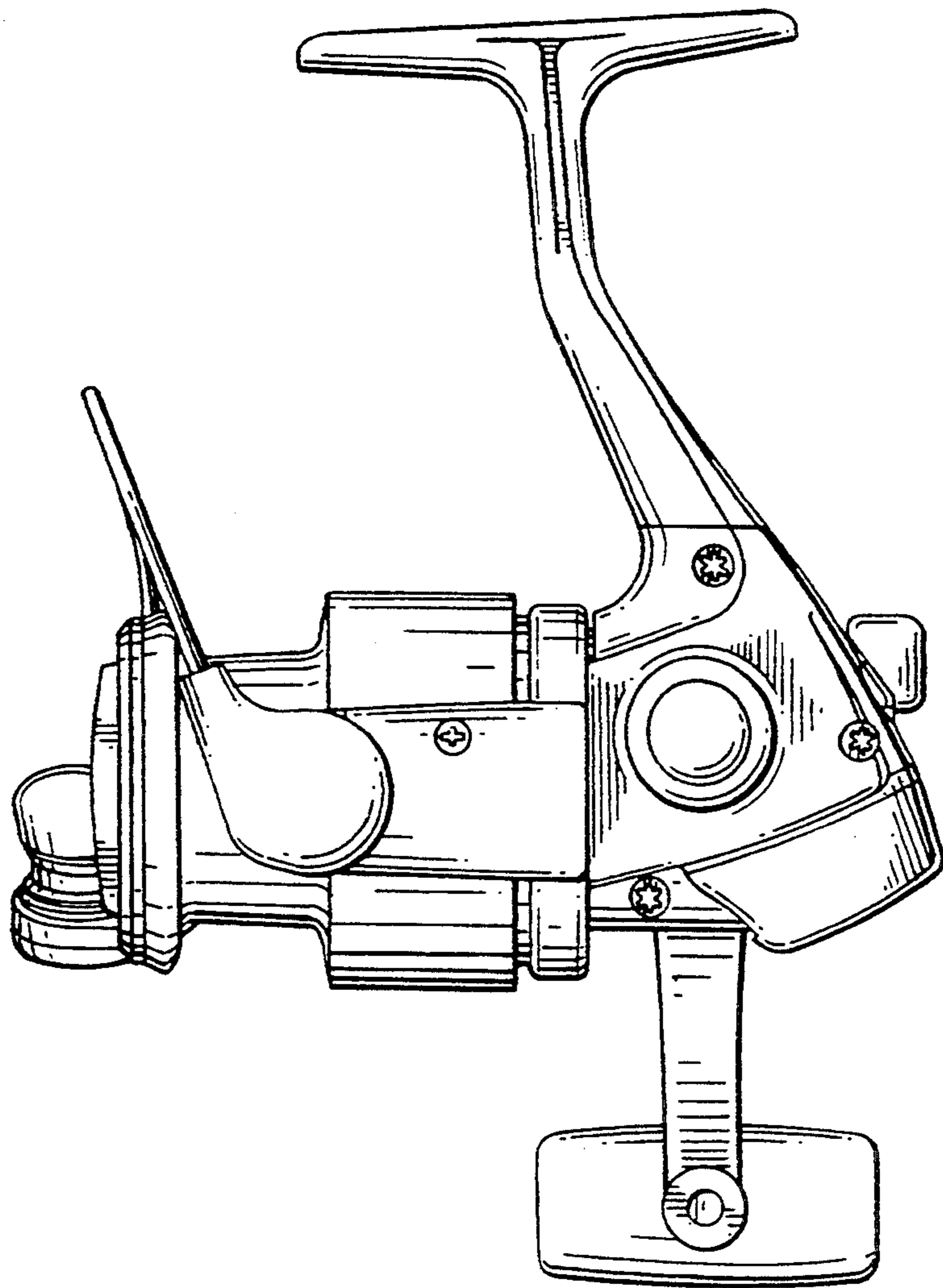


FIG. 4

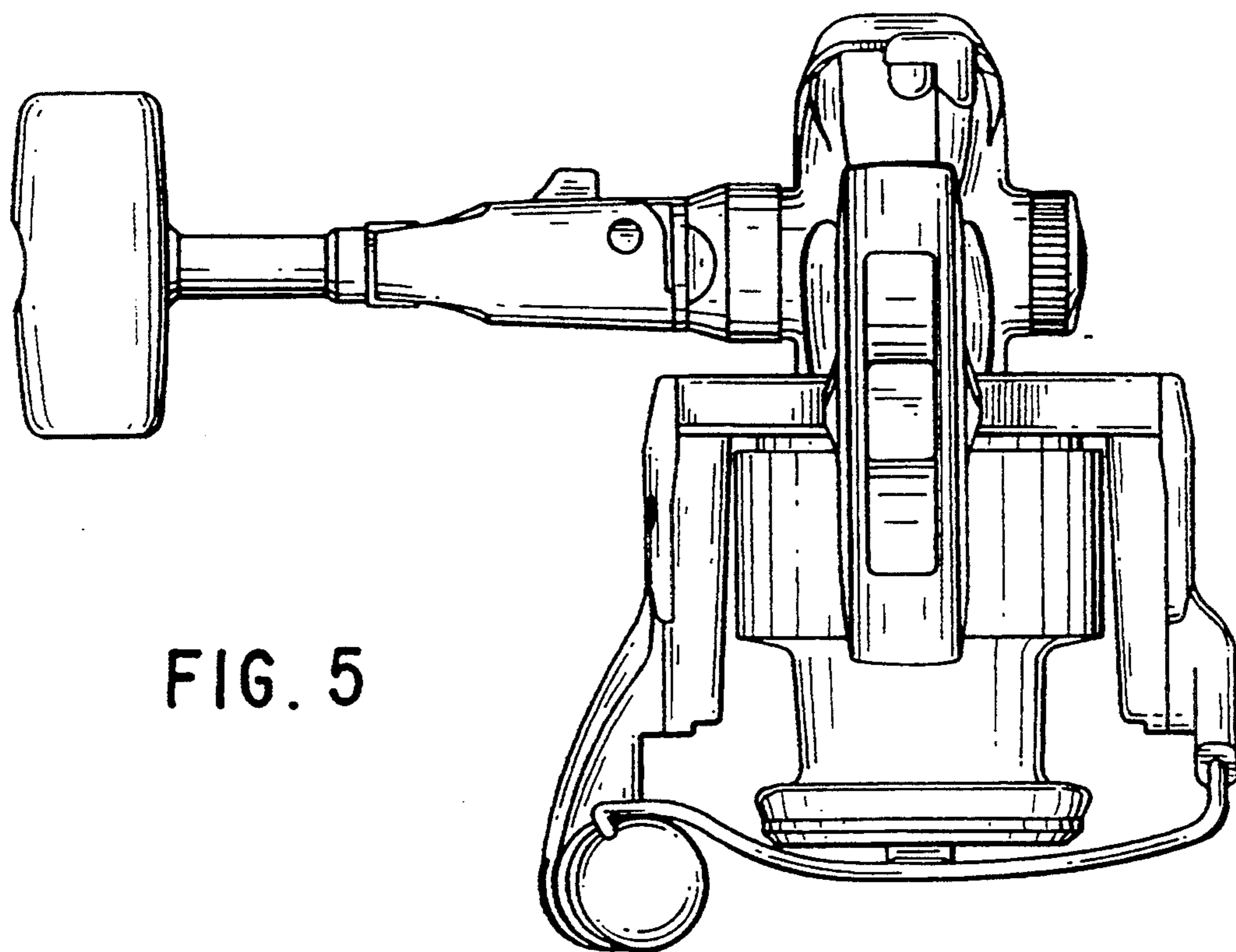


FIG. 5

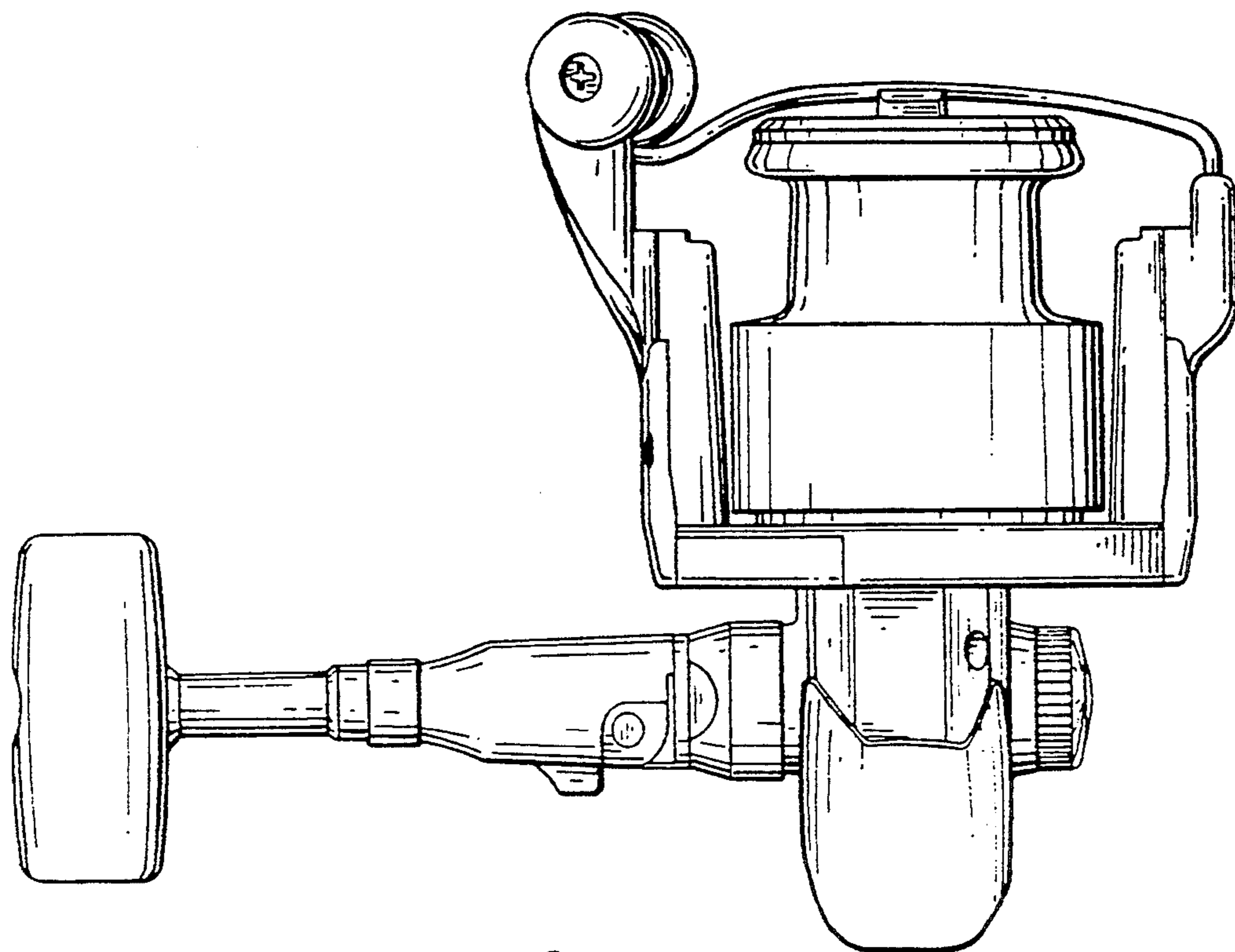


FIG. 6