



US00D352757S

United States Patent [19]

Gerhardt

[11] Patent Number: **Des. 352,757**

[45] Date of Patent: **** Nov. 22, 1994**

[54] **GOLF TRAINING AID**

[76] Inventor: **David M. Gerhardt**, 2452 Allen Rd.,
Ortonville, Mich. 48462

[**] Term: **14 Years**

[21] Appl. No.: **9,593**

[22] Filed: **Jun. 18, 1993**

[52] U.S. Cl. **D21/234**

[58] Field of Search 273/187 A, 187 B, 187 R,
273/187.1, 187.6, 190 A, 190 R, 195 A, 195 B,
195 R; D21/234

4,063,740 12/1977 Mader 273/187.6 X
4,298,201 11/1981 Palinkas 273/187 R X
4,326,718 4/1982 Kiehl 273/187 R X
4,513,972 4/1985 Empie 273/190 R

Primary Examiner—Melvin B. Feifer
Assistant Examiner—Cheri Cohen
Attorney, Agent, or Firm—Terry M. Gernstein

[57] **CLAIM**

The ornamental design for a golf training aid, as shown and described.

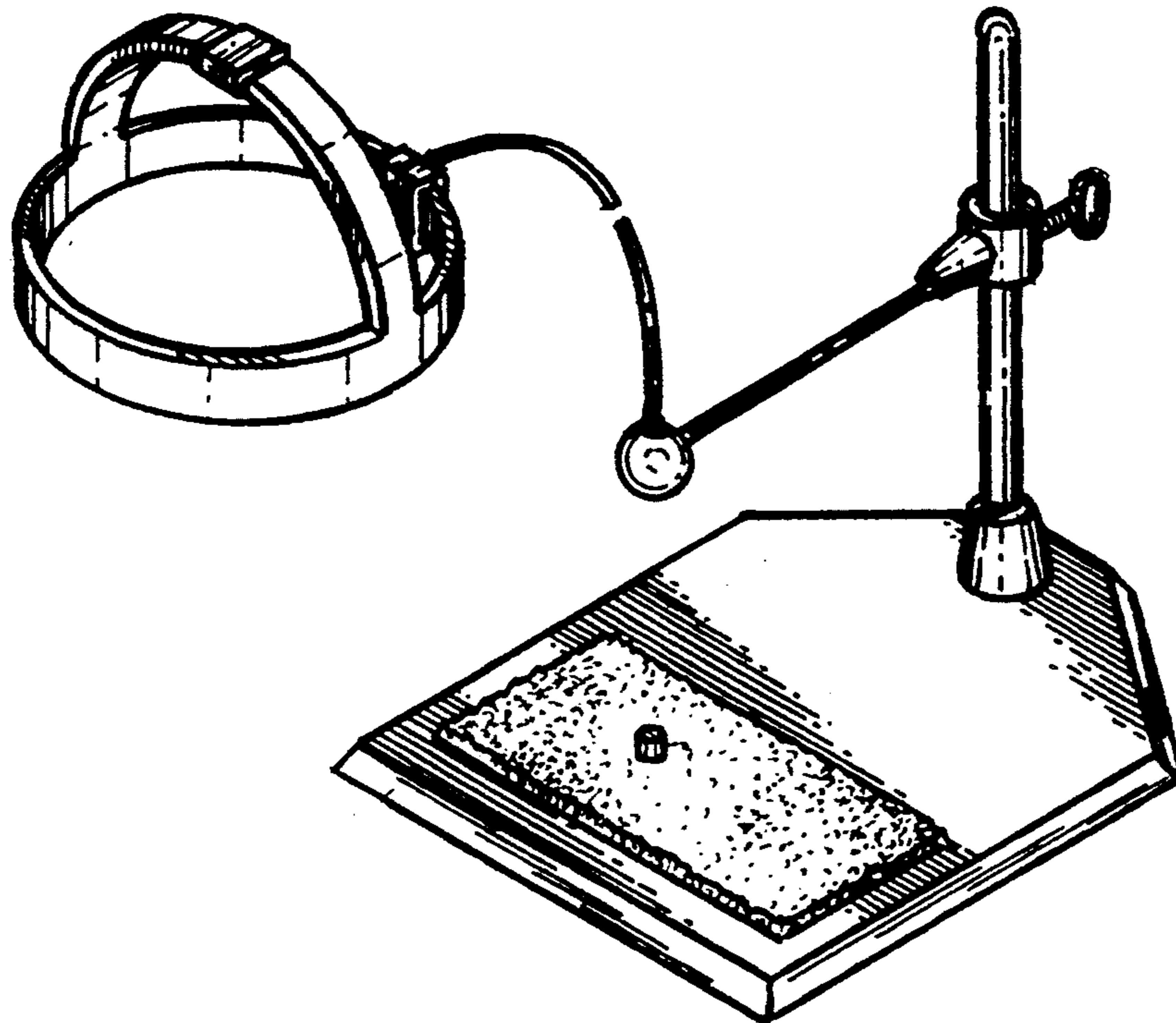
DESCRIPTION

FIG. 1 is a front, top and side perspective view of the golf training aid showing my new design; FIG. 2 is a front elevational view thereof; FIG. 3 is a rear elevational view thereof; FIG. 4 is a side elevational view thereof, and the side opposite being a mirror image of the side shown in FIG. 4; FIG. 5 is a top plan view thereof; and, FIG. 6 is a bottom plan view thereof. The cord is drawn fragmented to show indeterminate length.

[56] **References Cited**

U.S. PATENT DOCUMENTS

D. 277,995	3/1985	Hand, Jr.	D21/234 X
3,178,187	4/1965	Cardwell	273/190 A
3,408,078	10/1968	Falerni et al.	273/190 R
3,740,051	6/1973	Cross	273/187.6
3,770,280	11/1973	Straus	273/190 R X
3,874,672	4/1975	Zank	273/190 A X
3,920,248	11/1975	Medders	273/187
4,000,905	1/1977	Shirhall	273/187



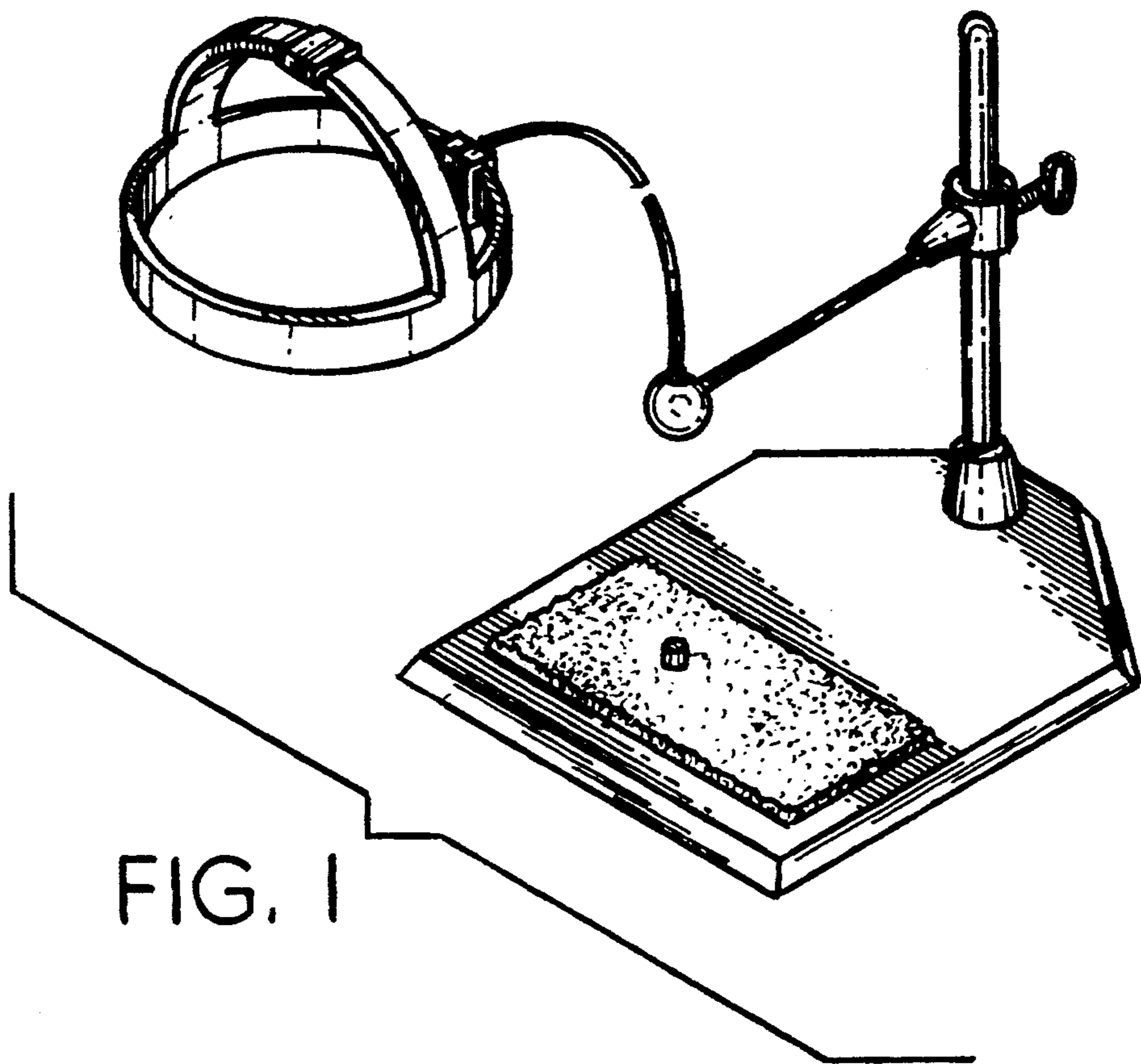


FIG. 2

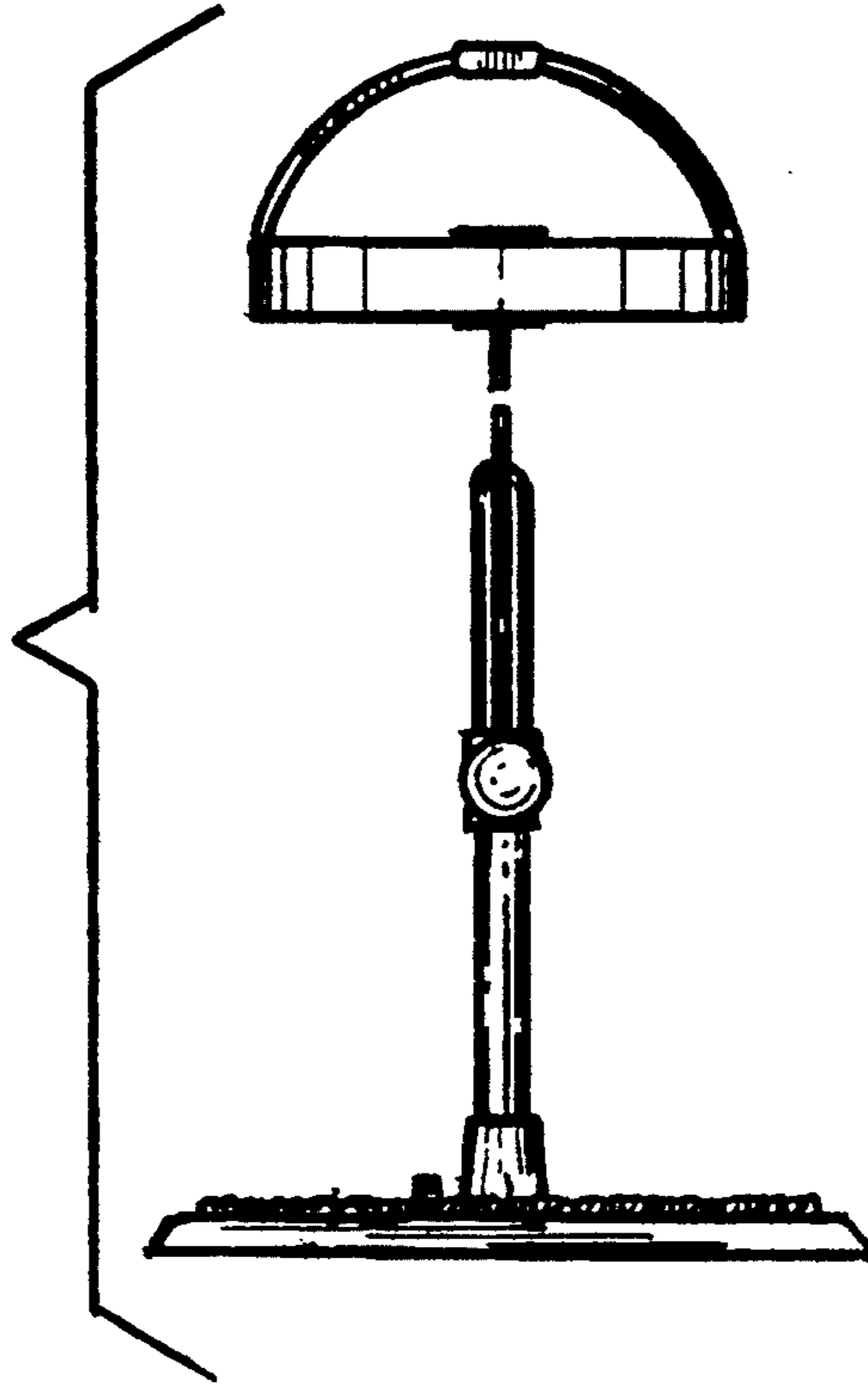


FIG. 3

