



US00D352756S

United States Patent [19]

Giantonio

[11] Patent Number: **Des. 352,756**

[45] Date of Patent: **** Nov. 22, 1994**

- [54] **GOLF TRAINING AID**
- [76] Inventor: **Joseph Giantonio**, 6249 Garwood Ave., Las Vegas, Nev. 89107
- [**] Term: **14 Years**
- [21] Appl. No.: **5,769**
- [22] Filed: **Mar. 11, 1993**
- [52] U.S. Cl. **D21/234**
- [58] Field of Search 273/187 A, 187 B, 187 R, 273/188 A, 188 R, 32 C; D21/234

- 5,000,457 3/1991 Brown 273/32 C X
- 5,029,869 7/1991 Veasey 273/187 B
- 5,062,643 11/1991 Bibbey et al. 273/187 R X

Primary Examiner—Melvin B. Feifer
Assistant Examiner—Cheri Cohen
Attorney, Agent, or Firm—John Edward Roethel

[57] **CLAIM**

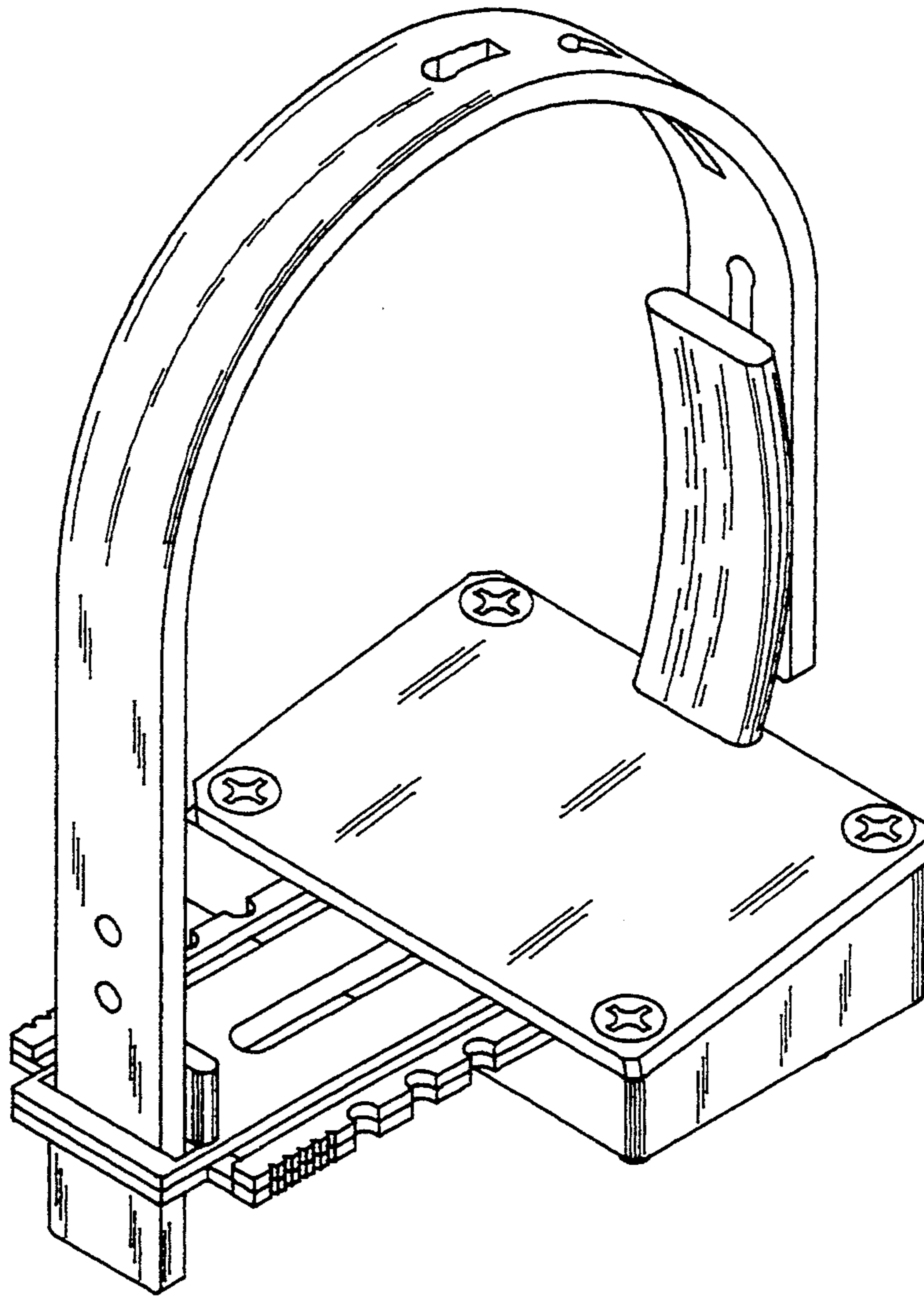
The ornamental design for the golf training aid, as shown and described.

DESCRIPTION

FIG. 1 is an isometric view of a golf training aid showing my new design;
 FIG. 2 is a front elevational view thereof;
 FIG. 3 is a rear elevational view thereof;
 FIG. 4 is a left elevational view thereof;
 FIG. 5 is a right elevational view thereof;
 FIG. 6 is a top plan view thereof; and,
 FIG. 7 is a bottom plan view thereof.

[56] **References Cited**
U.S. PATENT DOCUMENTS

3,218,734	11/1965	O'Brien	36/2.5
3,840,229	10/1974	Phillips	273/33
3,951,407	4/1976	Calacurcio	273/32
4,073,075	2/1978	O'Brien	36/127
4,103,897	8/1978	Ostyn	273/188 A
4,147,356	4/1979	Brandell	273/187 B X



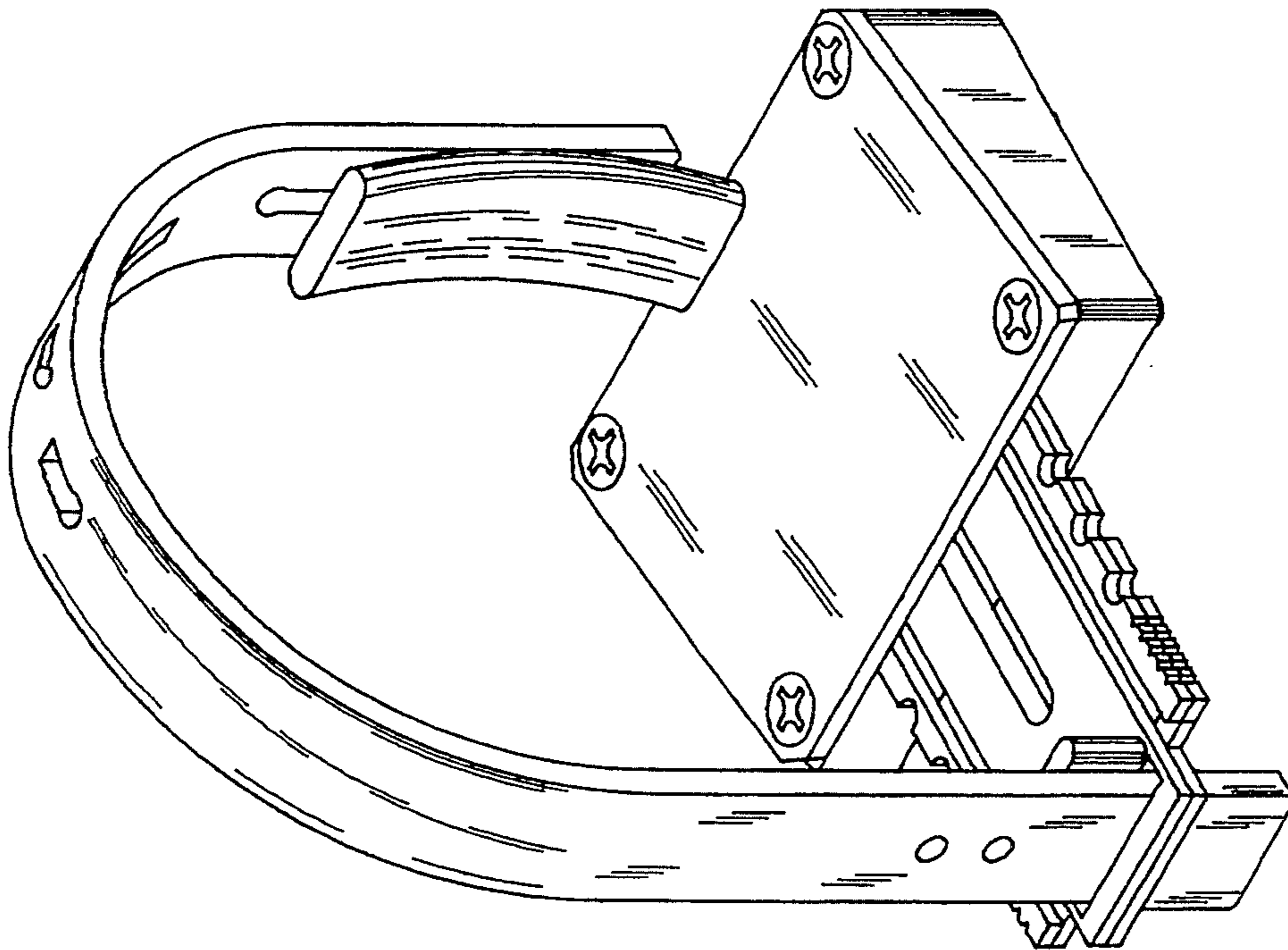


FIG-1

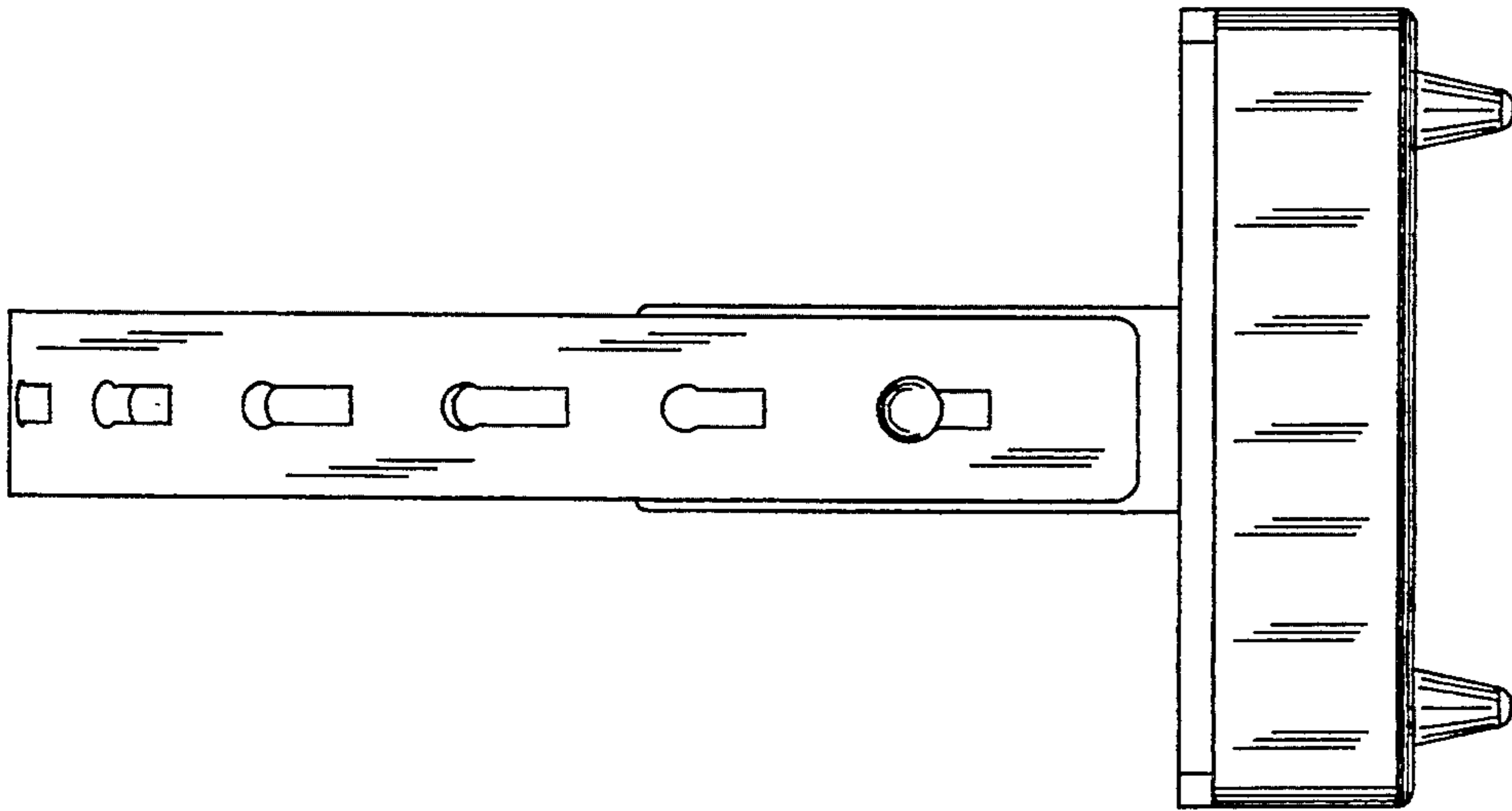


FIG-3

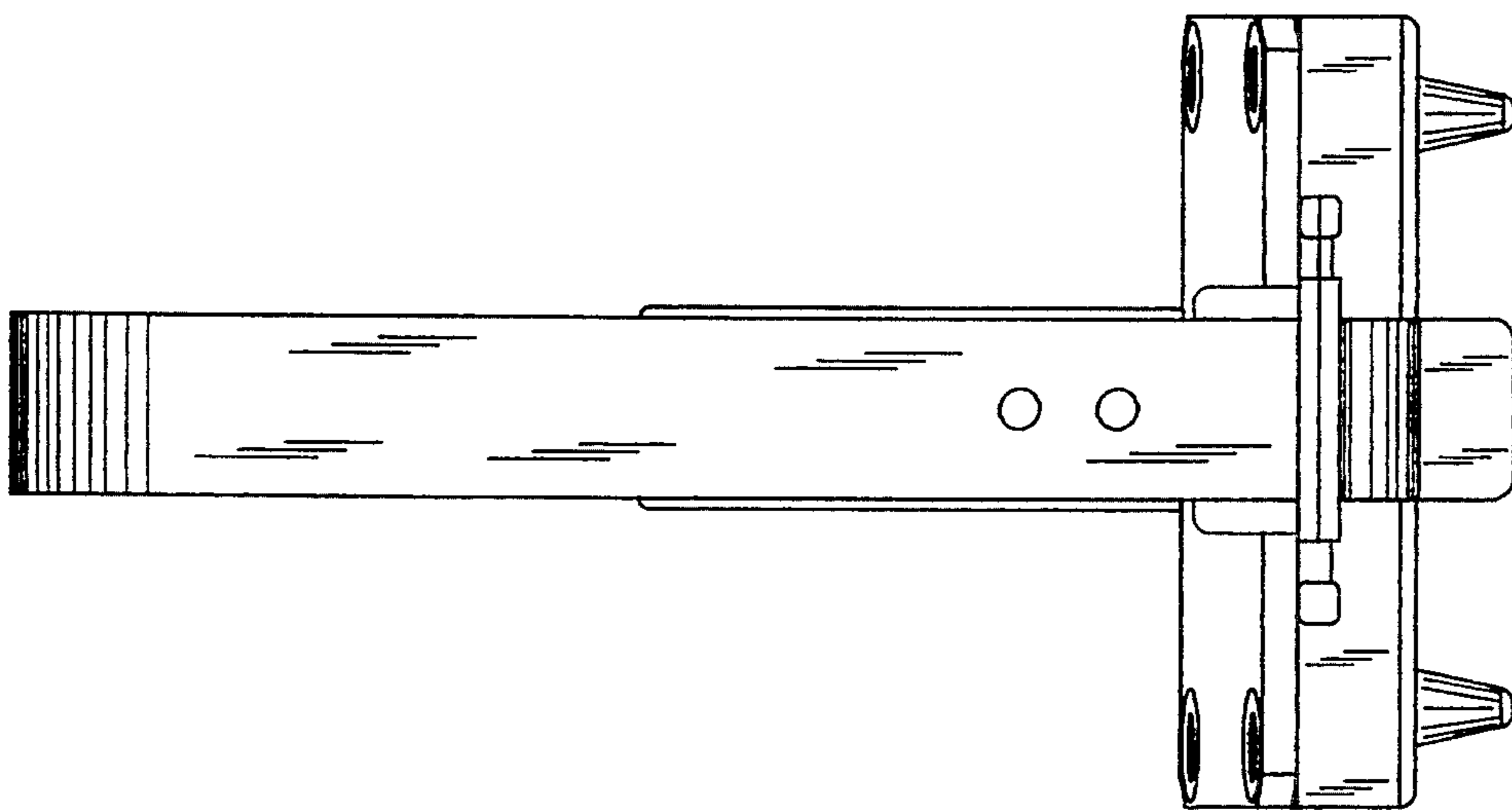


FIG-2

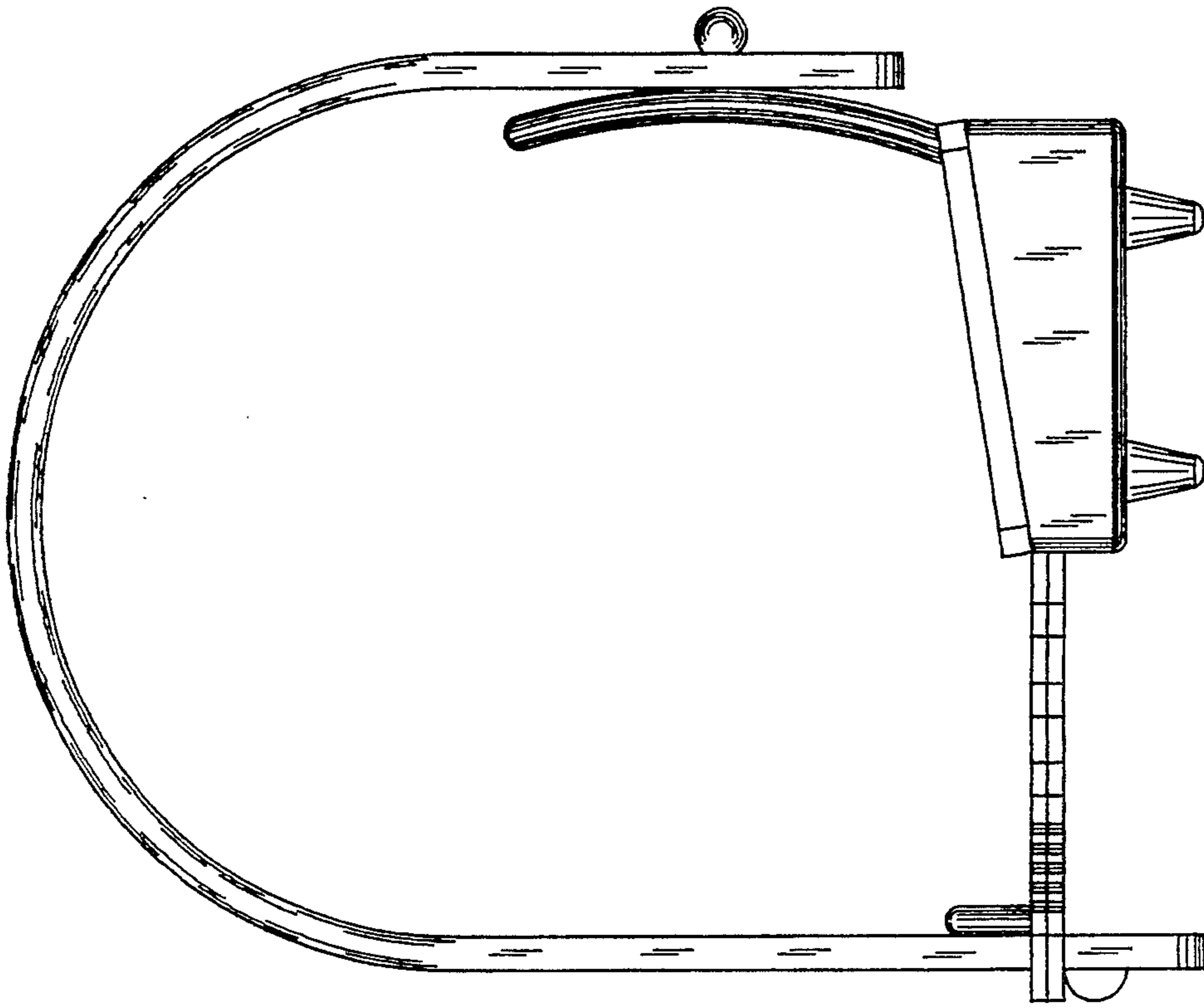


FIG-5

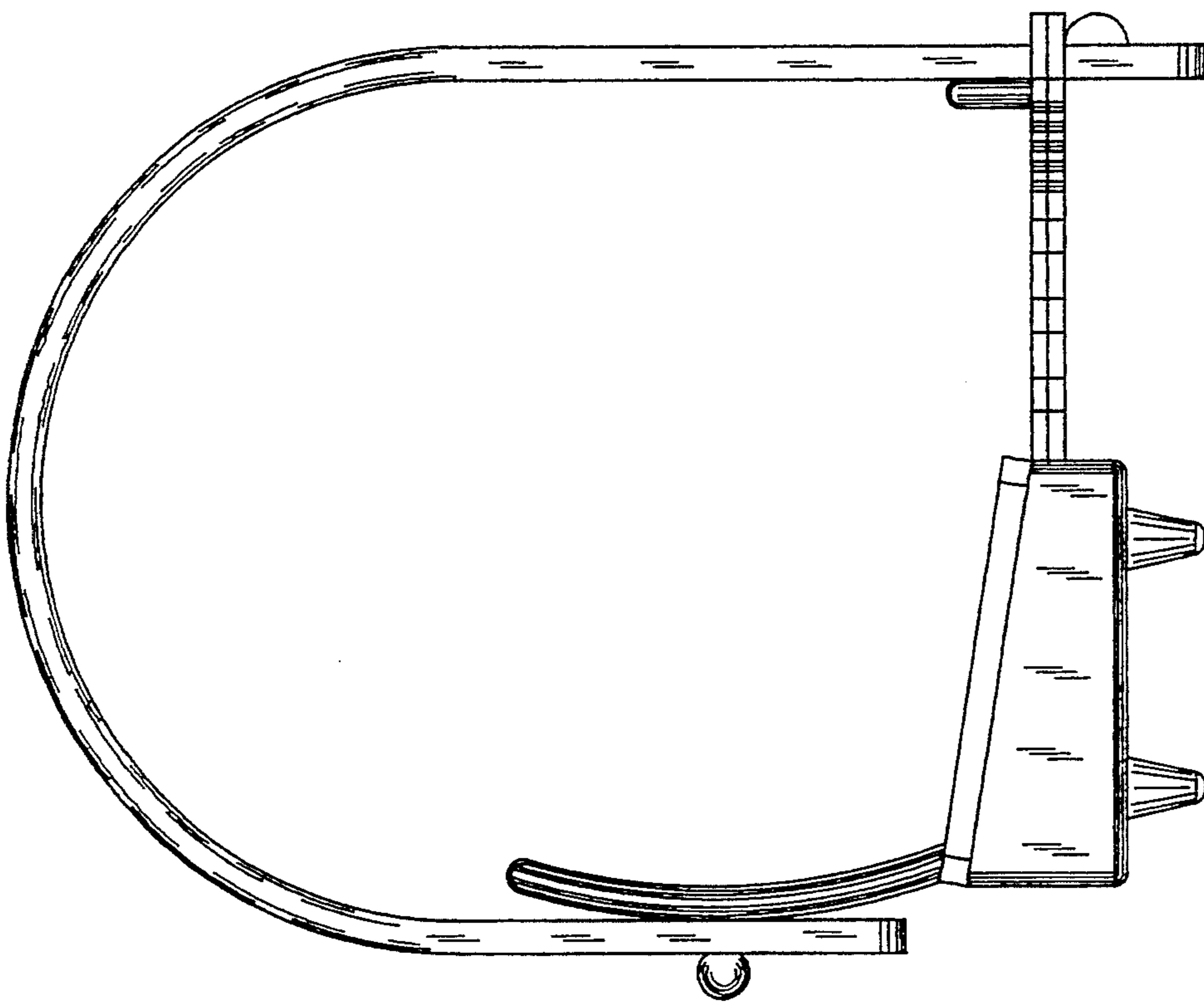


FIG-4

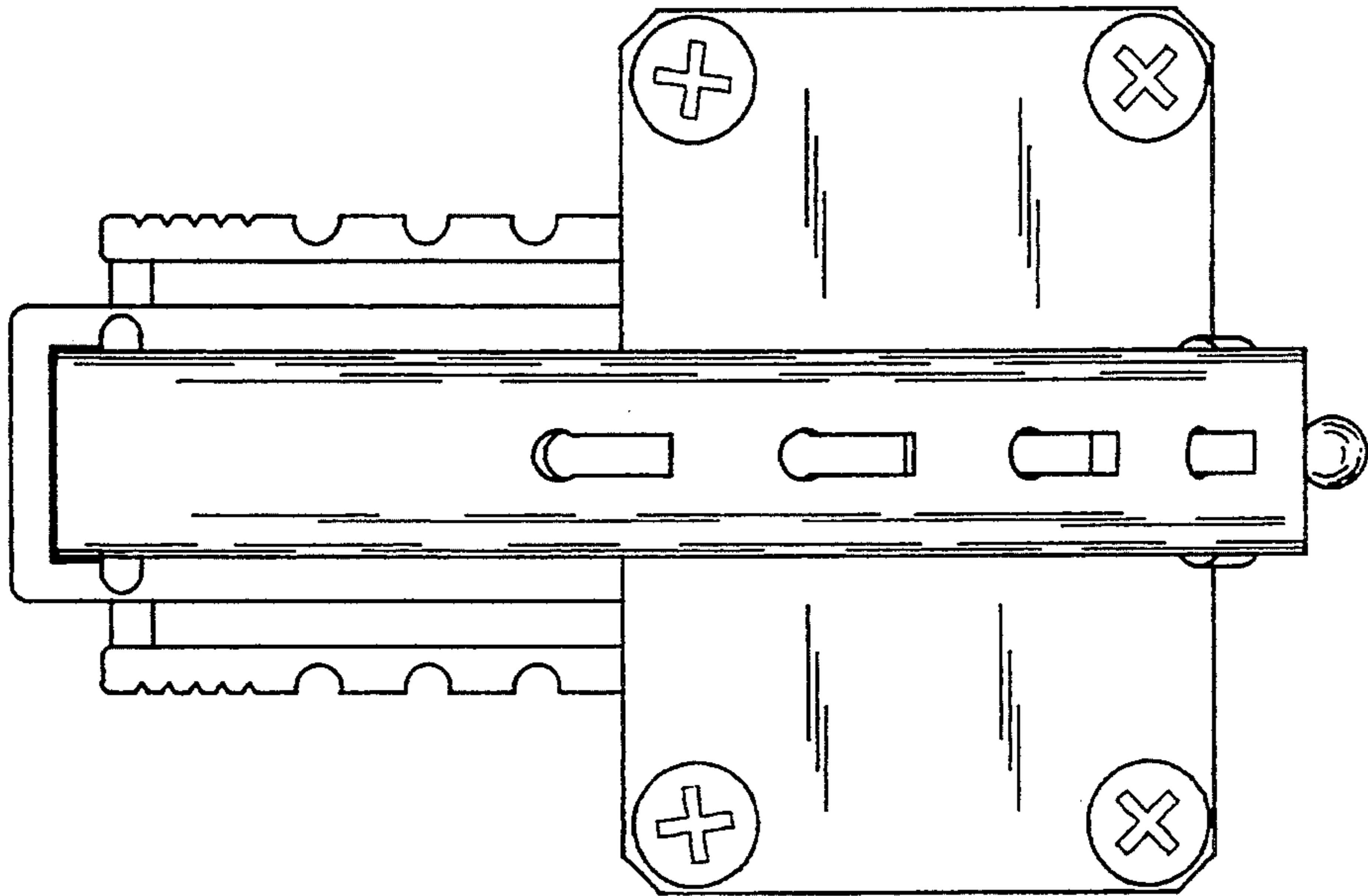


FIG-6

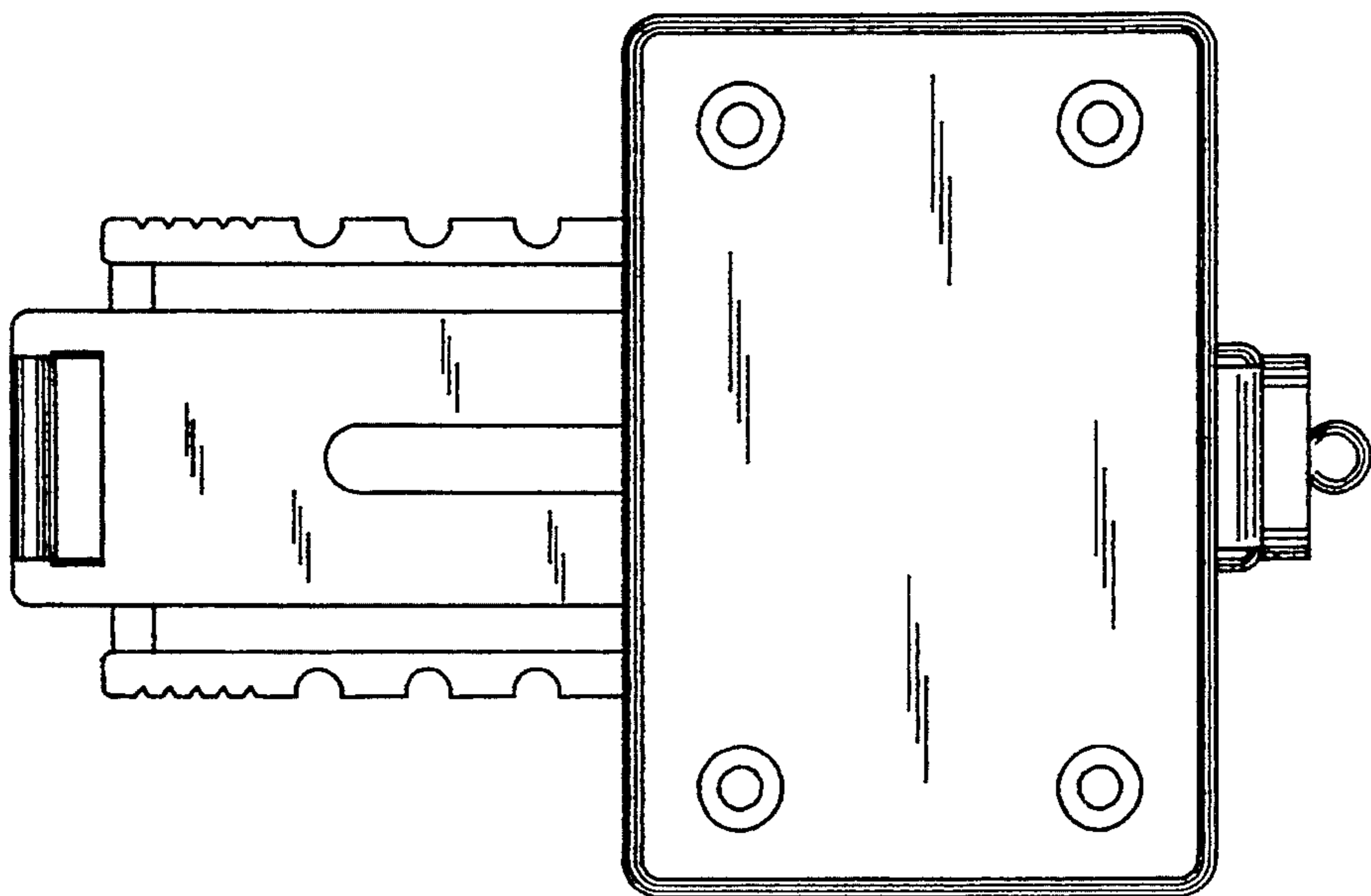


FIG-7