



US00D352752S

United States Patent [19]

[11] Patent Number: Des. 352,752

Yang

[45] Date of Patent: ** Nov. 22, 1994

[54] PHYSICAL EXERCISER

[76] Inventor: **Huo S. Yang**, 58, Ma Yuan West St., Taichung, Taiwan, Prov. of China

[**] Term: **14 Years**

[21] Appl. No.: **9,278**

[22] Filed: **Jun. 9, 1993**

[52] U.S. Cl. **D21/191**

[58] Field of Search 482/92, 137, 96, 111, 482/112, 113, 97; D21/191, 195

5,011,140	4/1991	Adessi	482/94
5,037,090	8/1991	Fitzpatrick	482/137
5,178,599	1/1993	Scott	482/51
5,184,991	2/1993	Brangi	482/137

Primary Examiner—Melvin B. Feifer

Assistant Examiner—Philip Hyder

[57] **CLAIM**

The ornamental design for a physical exerciser, as shown and described.

DESCRIPTION

FIG. 1 is a perspective view of a physical exerciser showing my new design;

FIG. 2 is a front elevational view thereof;

FIG. 3 is a rear elevational view thereof;

FIG. 4 is a top plan view thereof;

FIG. 5 is a bottom plan view thereof;

FIG. 6 is a left side elevational view thereof; and,

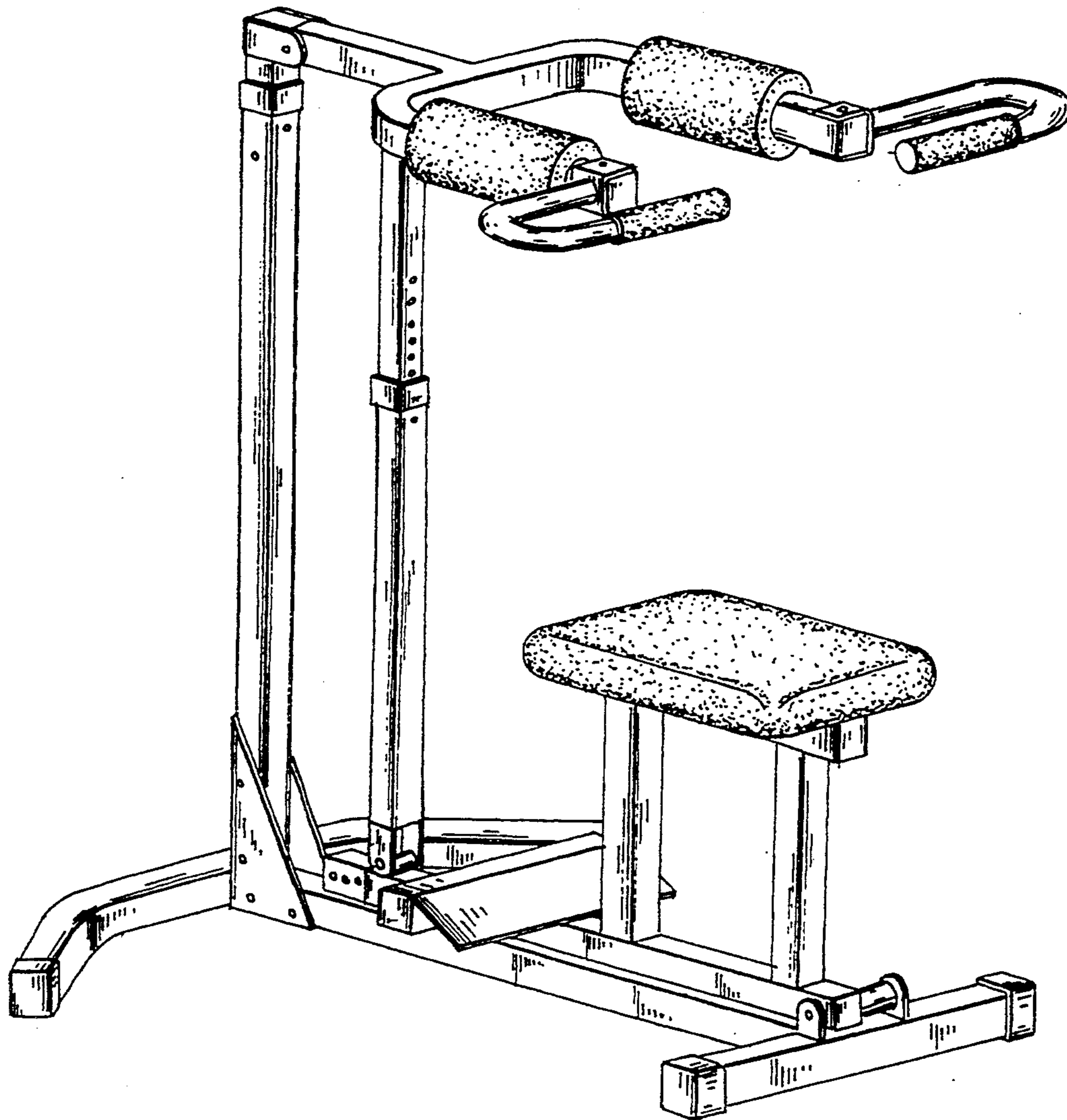
FIG. 7 is a right side elevational view thereof.

[56]

References Cited

U.S. PATENT DOCUMENTS

D. 226,439	3/1973	Coker	D21/195
D. 321,029	10/1991	Low	D21/195
4,576,377	3/1986	Wolff	482/137
4,765,610	8/1988	Sidwell	482/94
4,917,379	4/1990	Maag	482/137



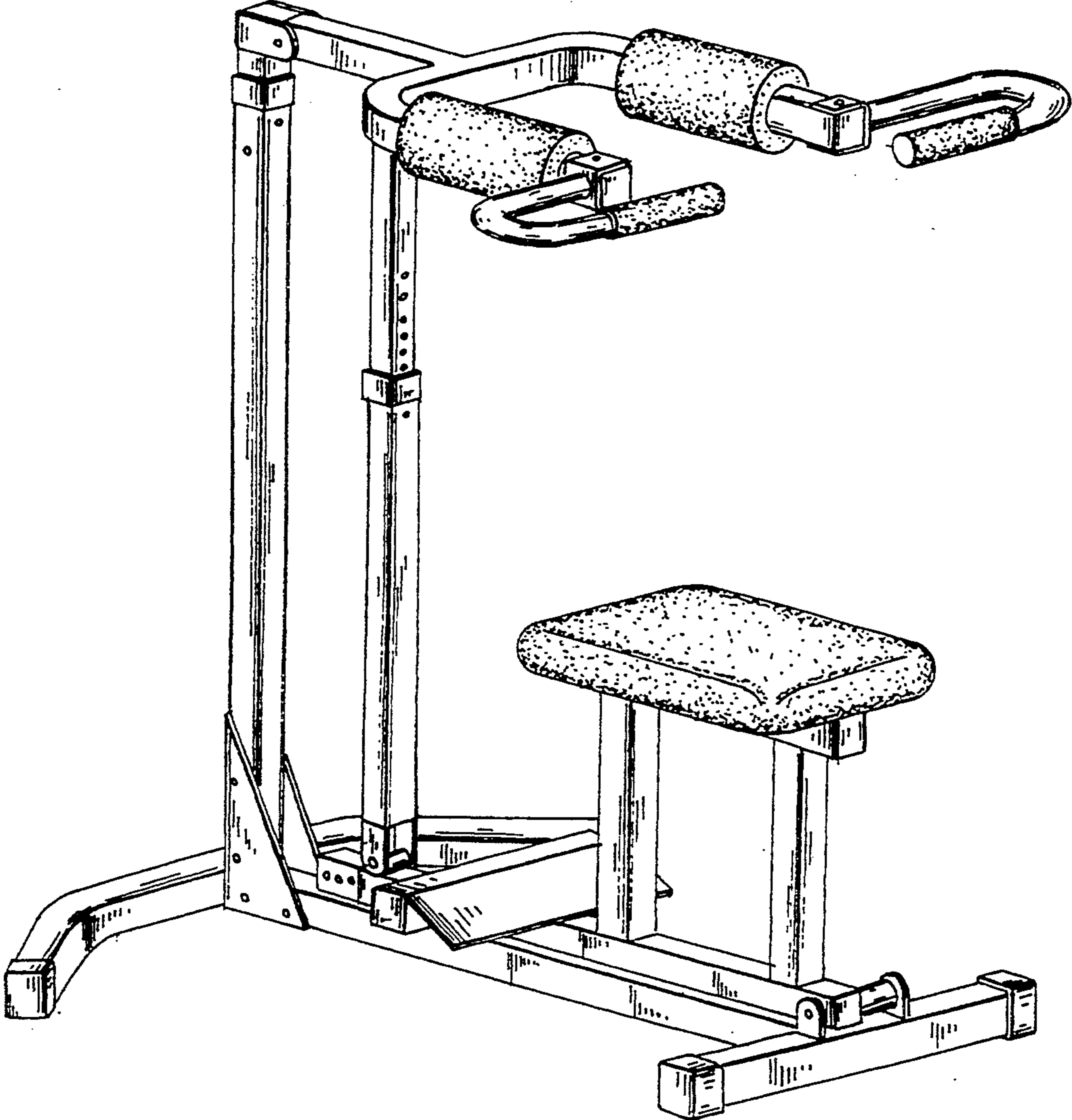


Fig. 1

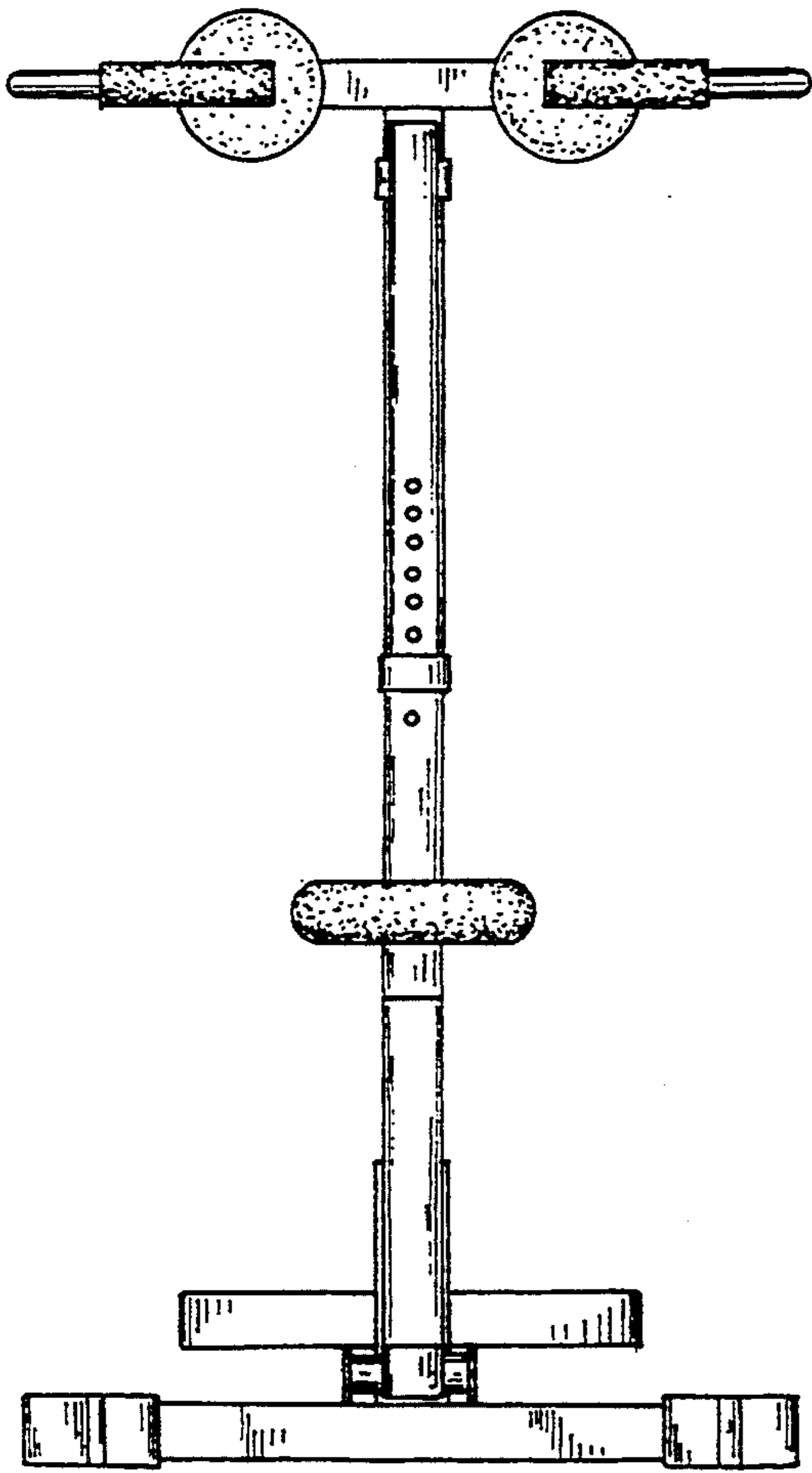


Fig. 2

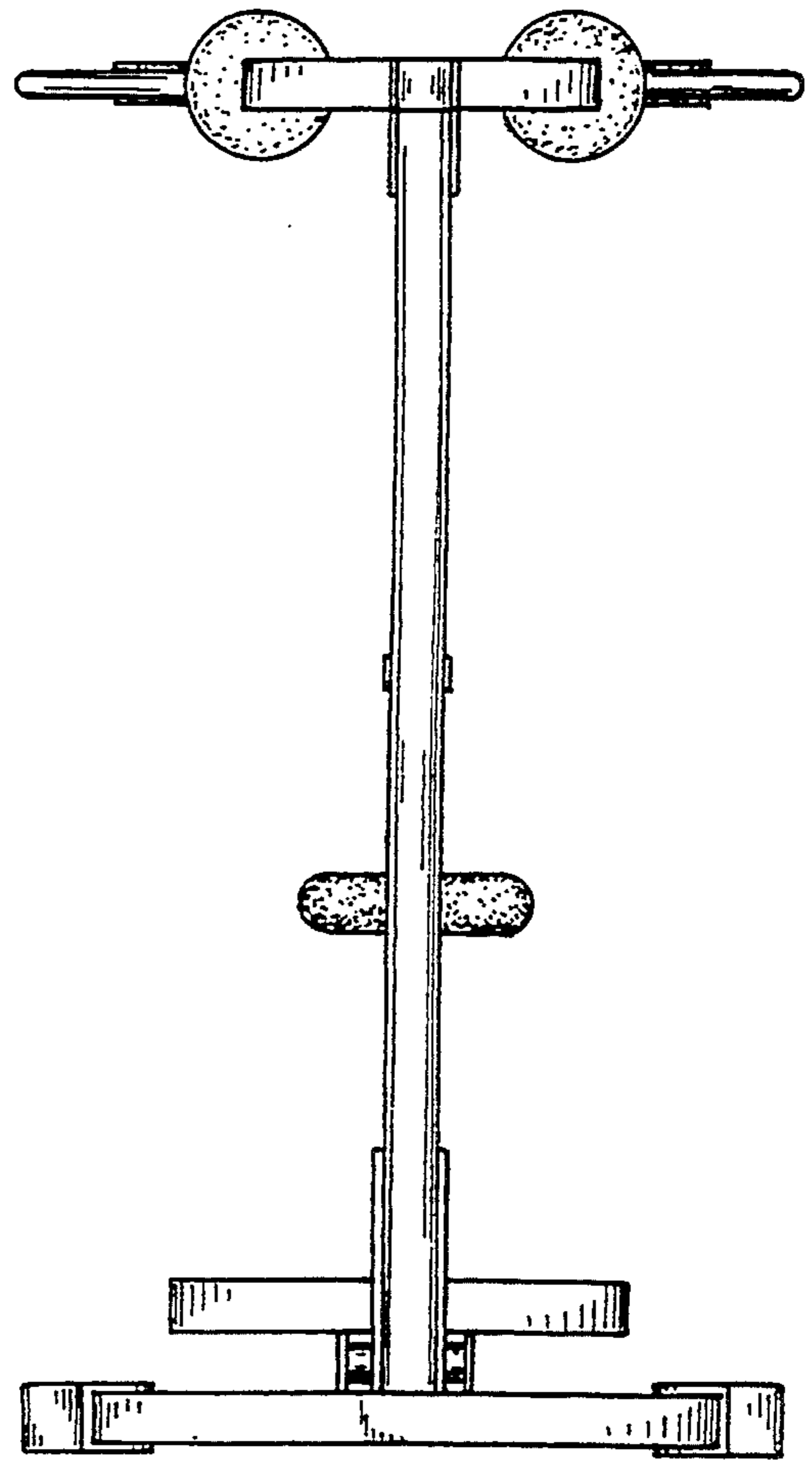


Fig. 3

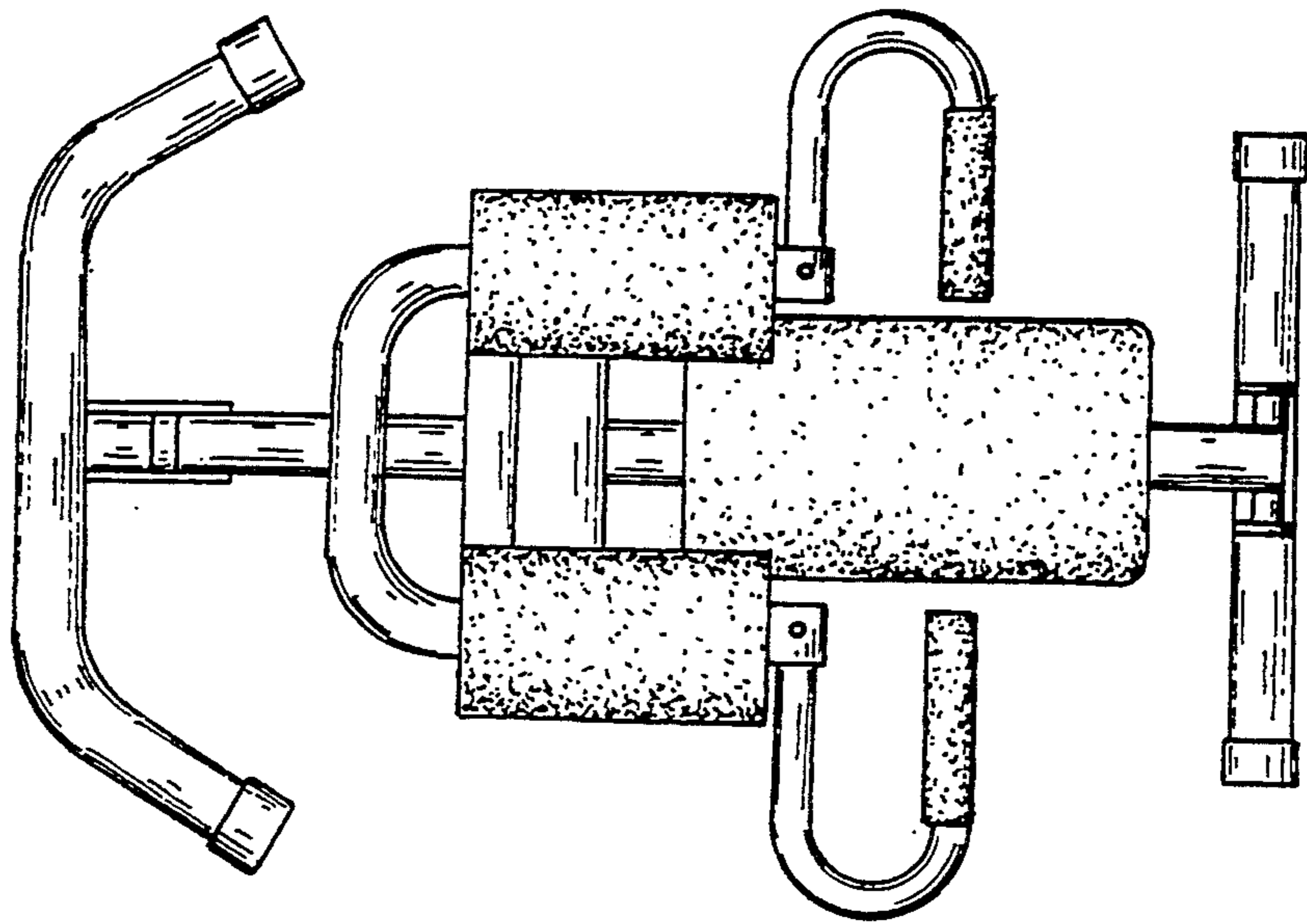


Fig. 4

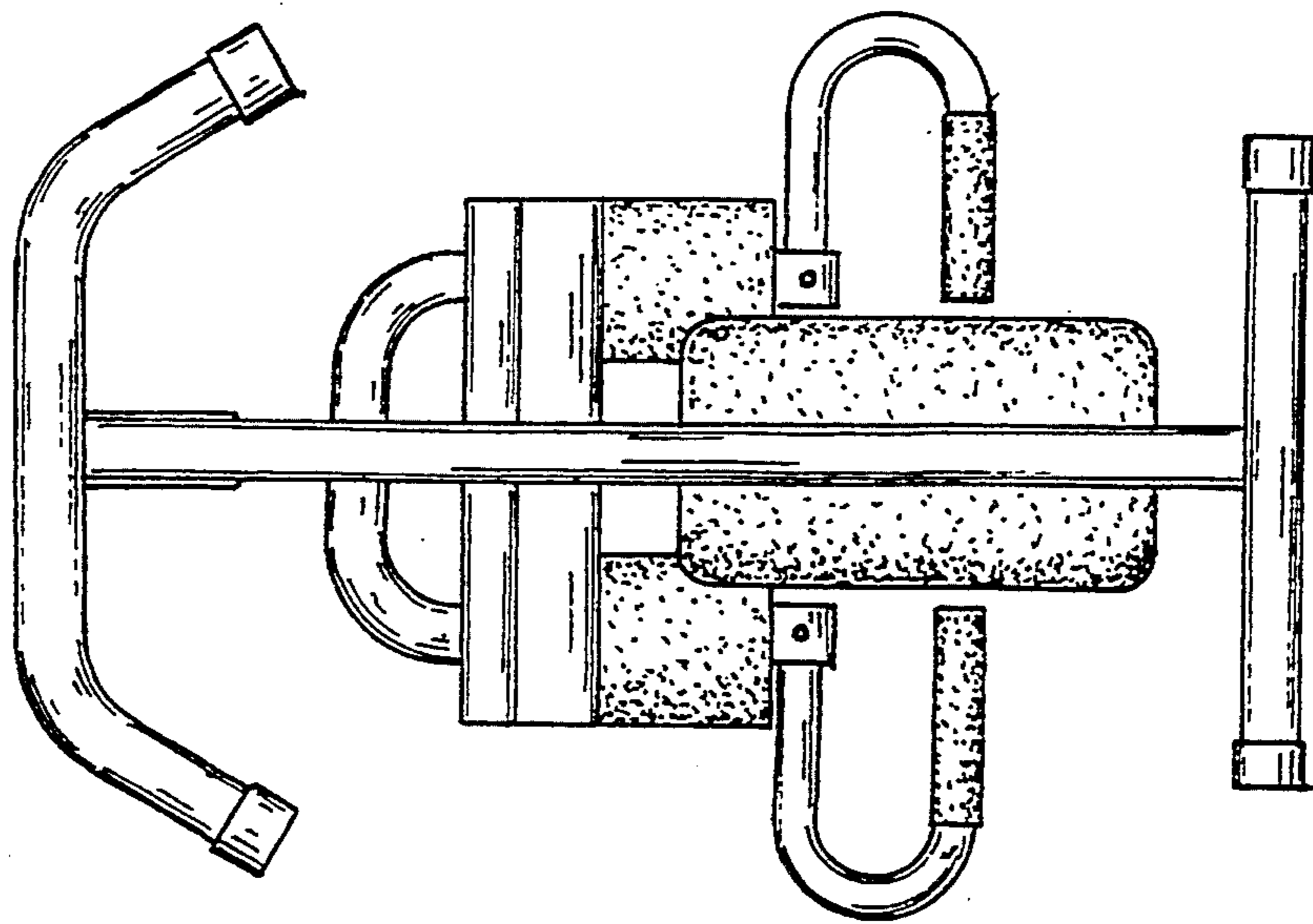


Fig. 5

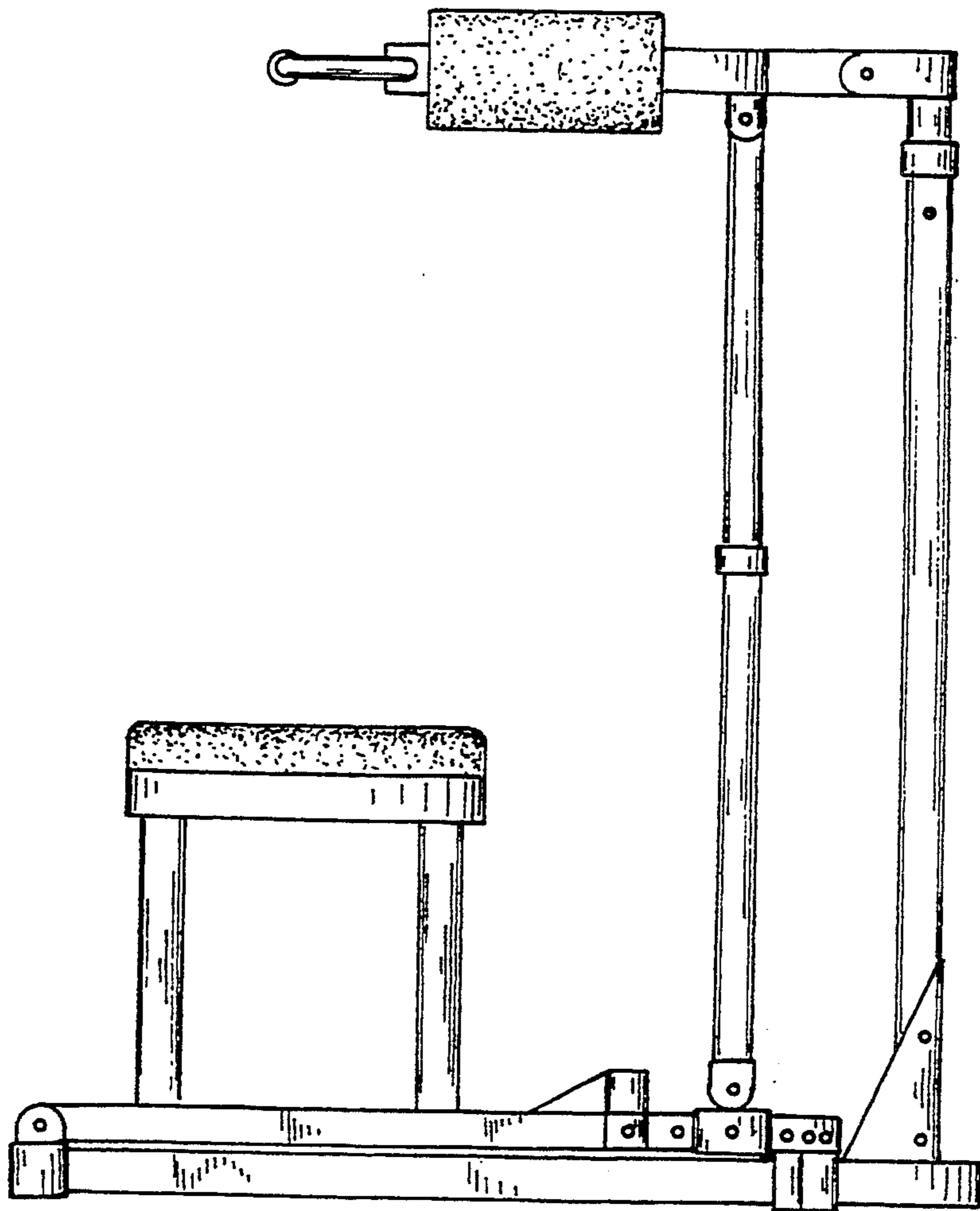


Fig. 6

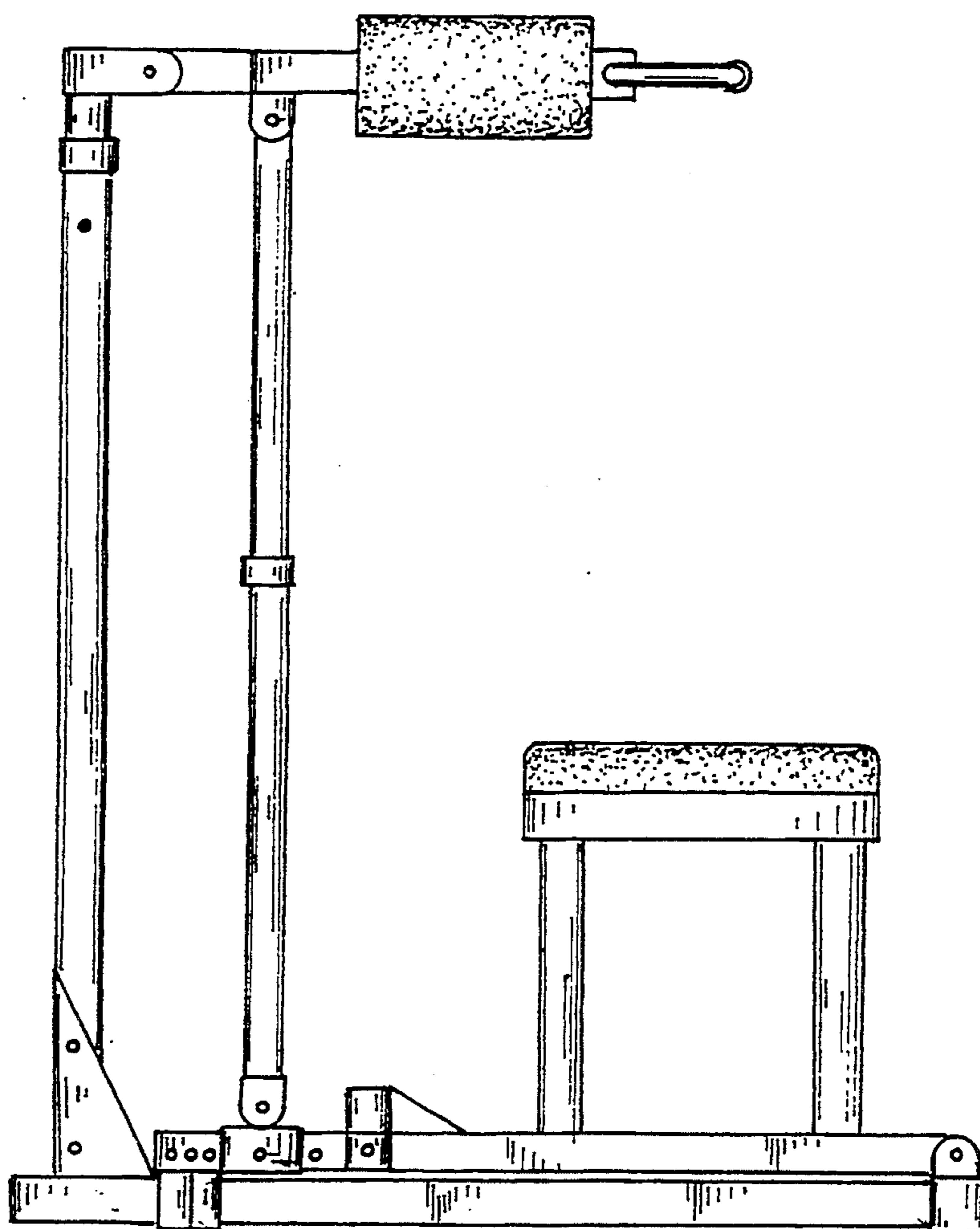


Fig. 7