



US00D352747S

United States Patent [19]

Hojlund et al.

[11] Patent Number: **Des. 352,747**

[45] Date of Patent: **** Nov. 22, 1994**

[54] **ELEMENT FOR A TOY BUILDING SET**

D. 308,705 6/1990 Olsten D21/108
D. 325,942 5/1992 Hoyer D21/108

[75] Inventors: **Charlotte K. H. Højlund**, Virum;
Berit Holmstrøm, Gadstrup, both of
Denmark

Primary Examiner—Bernard Ansher
Assistant Examiner—R. Barkai
Attorney, Agent, or Firm—Kane, Dalsimer, Sullivan,
Kurucz, Levy, Eisele and Richard

[73] Assignee: **Interlego A.G.**, Baar, Switzerland

[**] Term: **14 Years**

[57] **CLAIM**

[21] Appl. No.: **13,303**

The ornamental design for an element for a toy building set, as shown and described.

[22] Filed: **Sep. 22, 1993**

[52] U.S. Cl. **D21/108**

DESCRIPTION

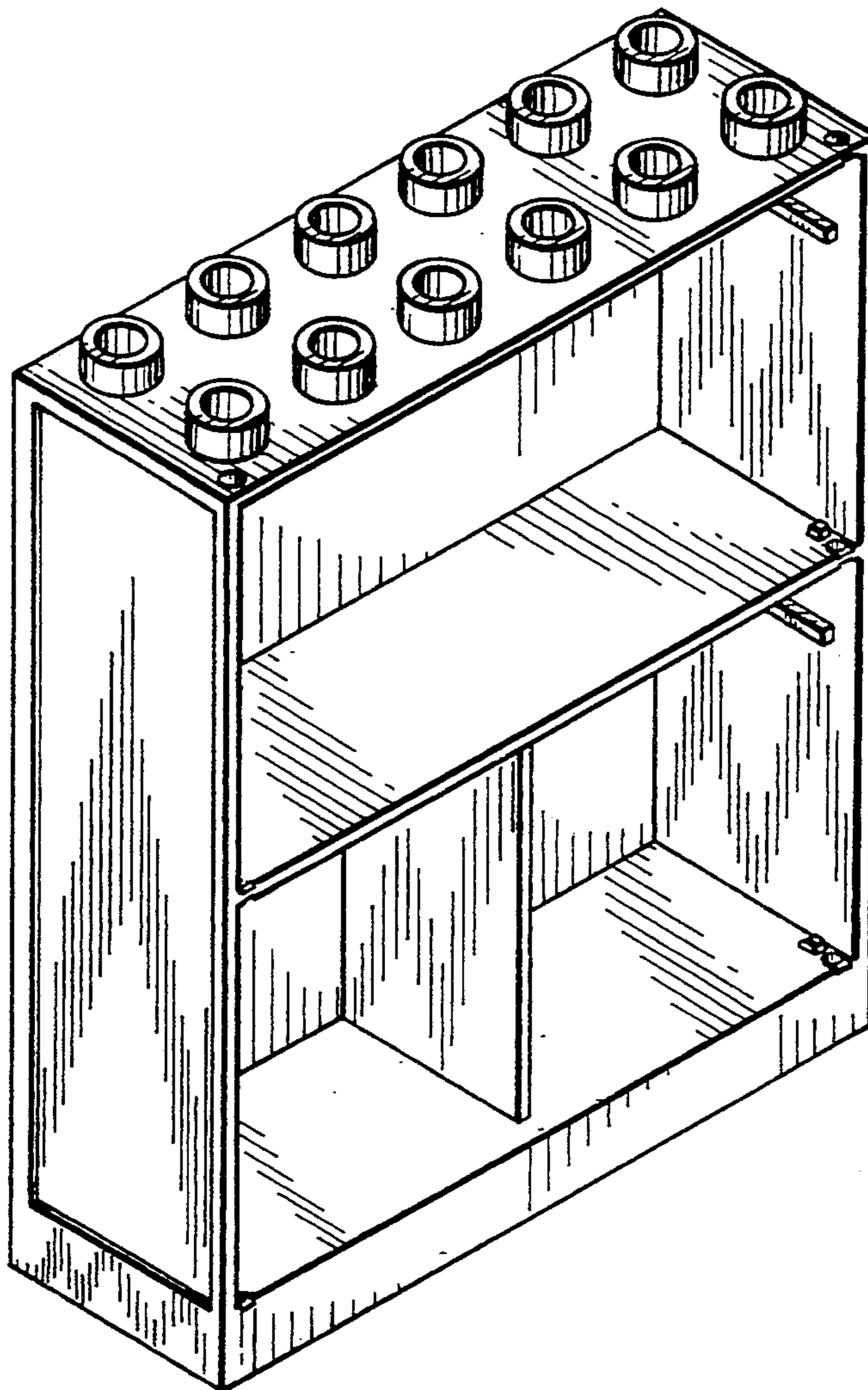
[58] Field of Search 446/85, 110, 108, 115,
446/116, 118, 120, 122, 124, 125, 128, 118;
434/172; D21/108, 141; D19/59

FIG. 1 is a top perspective view of the element for a toy building set showing our new design;
FIG. 2 is a bottom perspective view thereof;
FIG. 3 is a rear elevational view thereof;
FIG. 4 is a right side elevational view thereof;
FIG. 5 is a front elevational view thereof;
FIG. 6 is a left side elevational view thereof;
FIG. 7 is a top plan view thereof; and,
FIG. 8 is a bottom plan view thereof.

[56] **References Cited**

U.S. PATENT DOCUMENTS

D. 252,909 9/1979 Bayly D21/108
D. 252,979 9/1979 Bayly D21/108
D. 281,181 10/1985 Knudsen D21/108



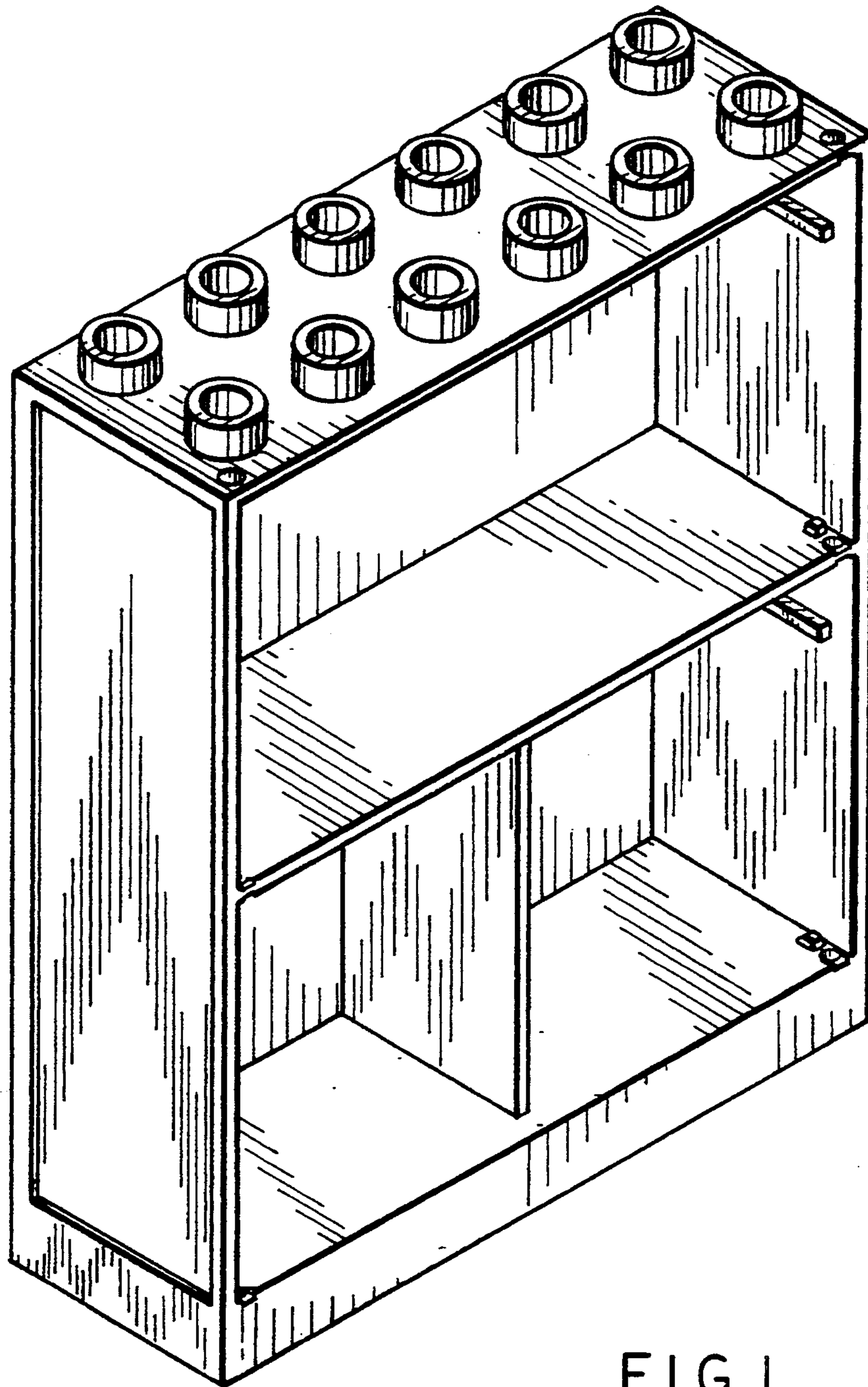


FIG. 1

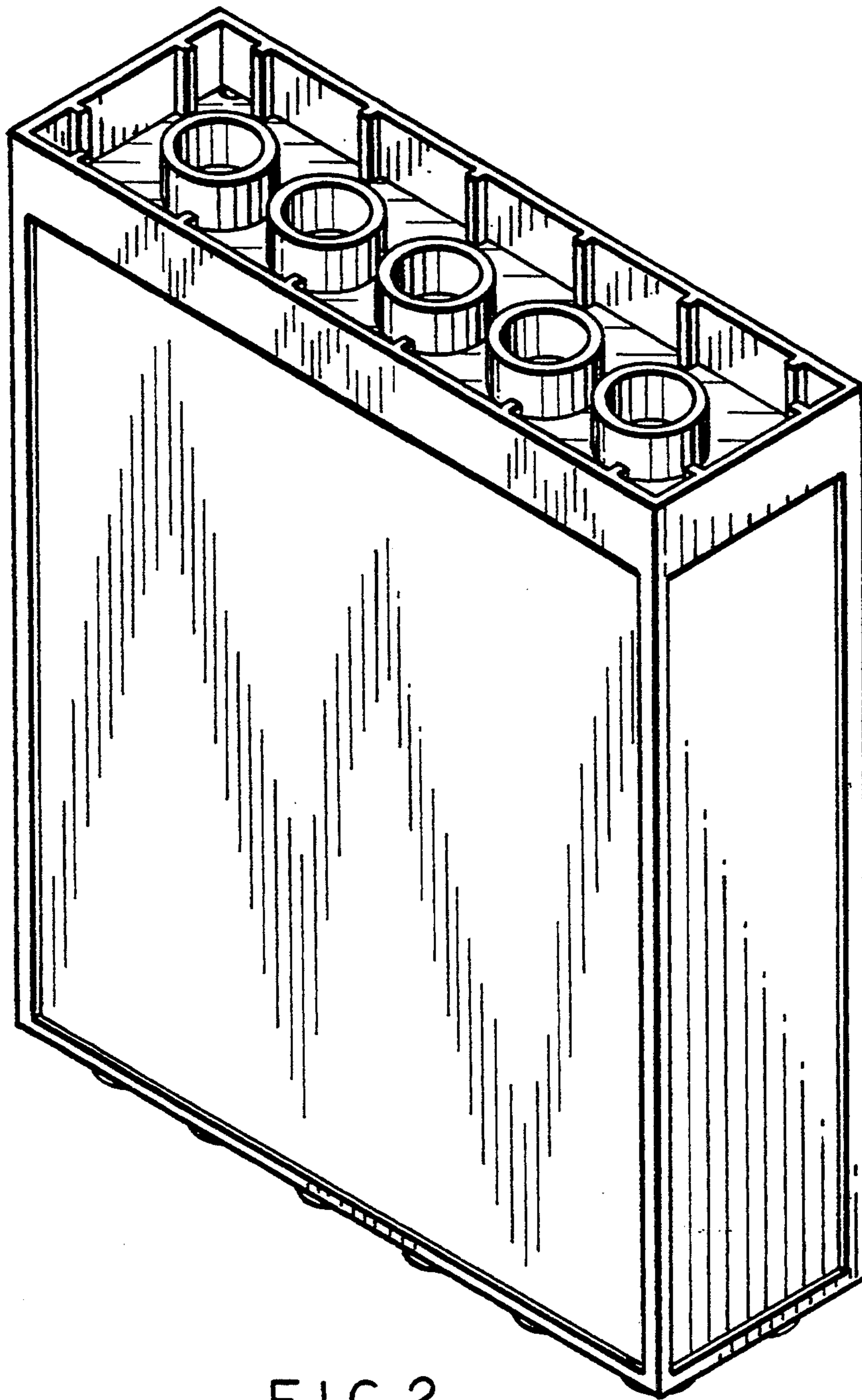


FIG. 2

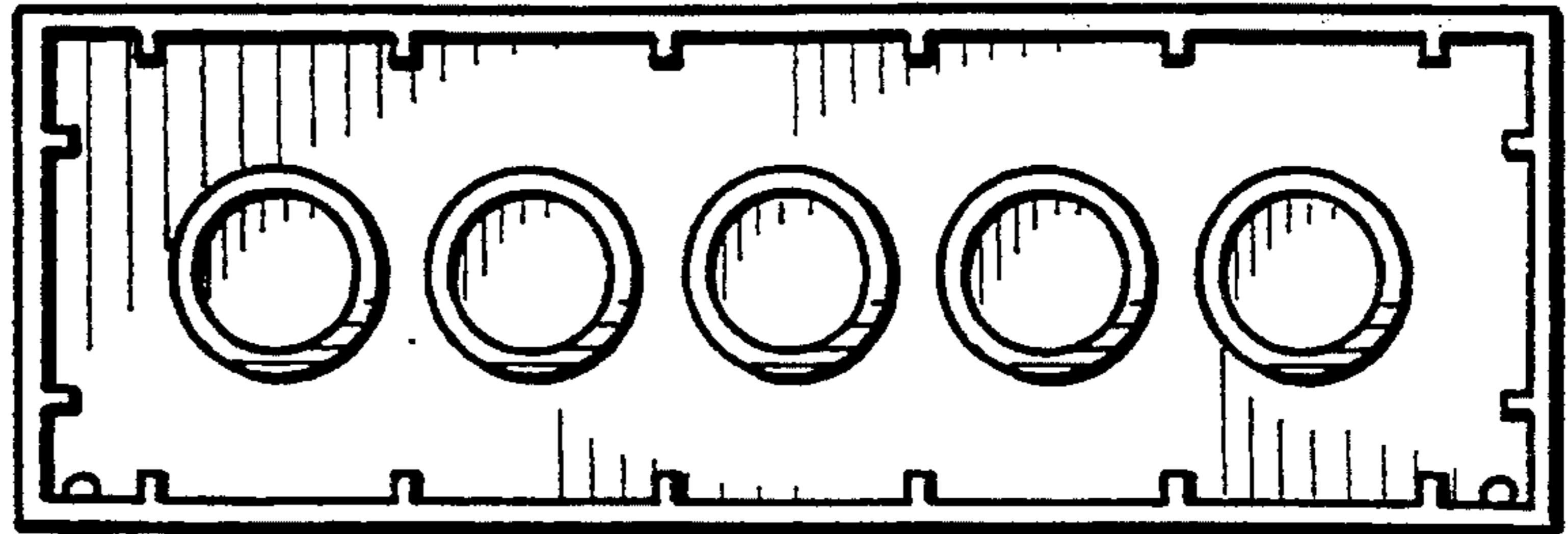


FIG. 8

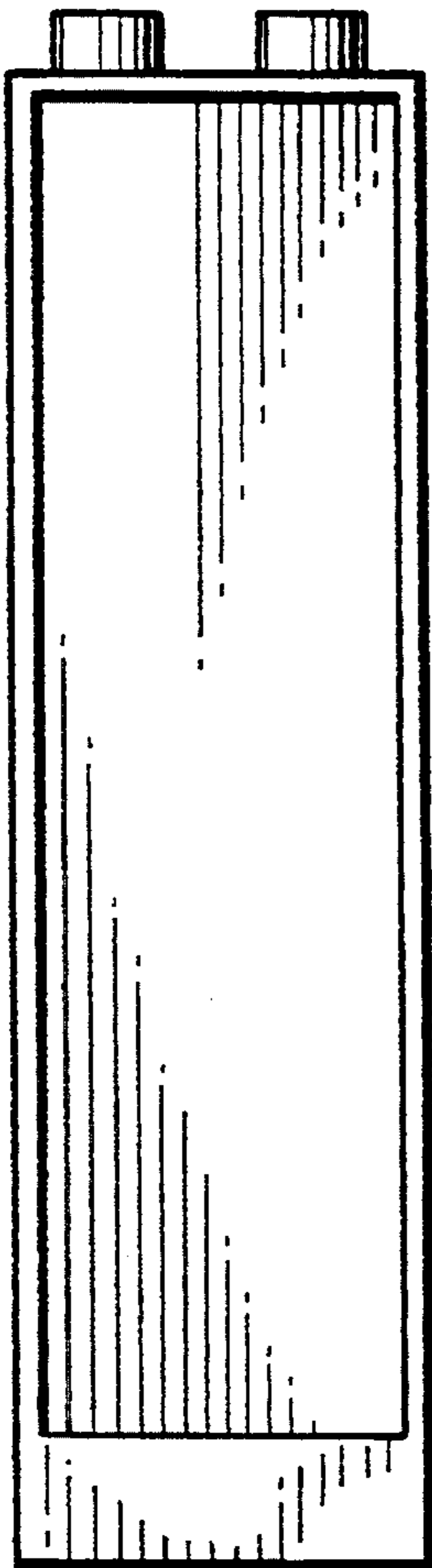


FIG. 4

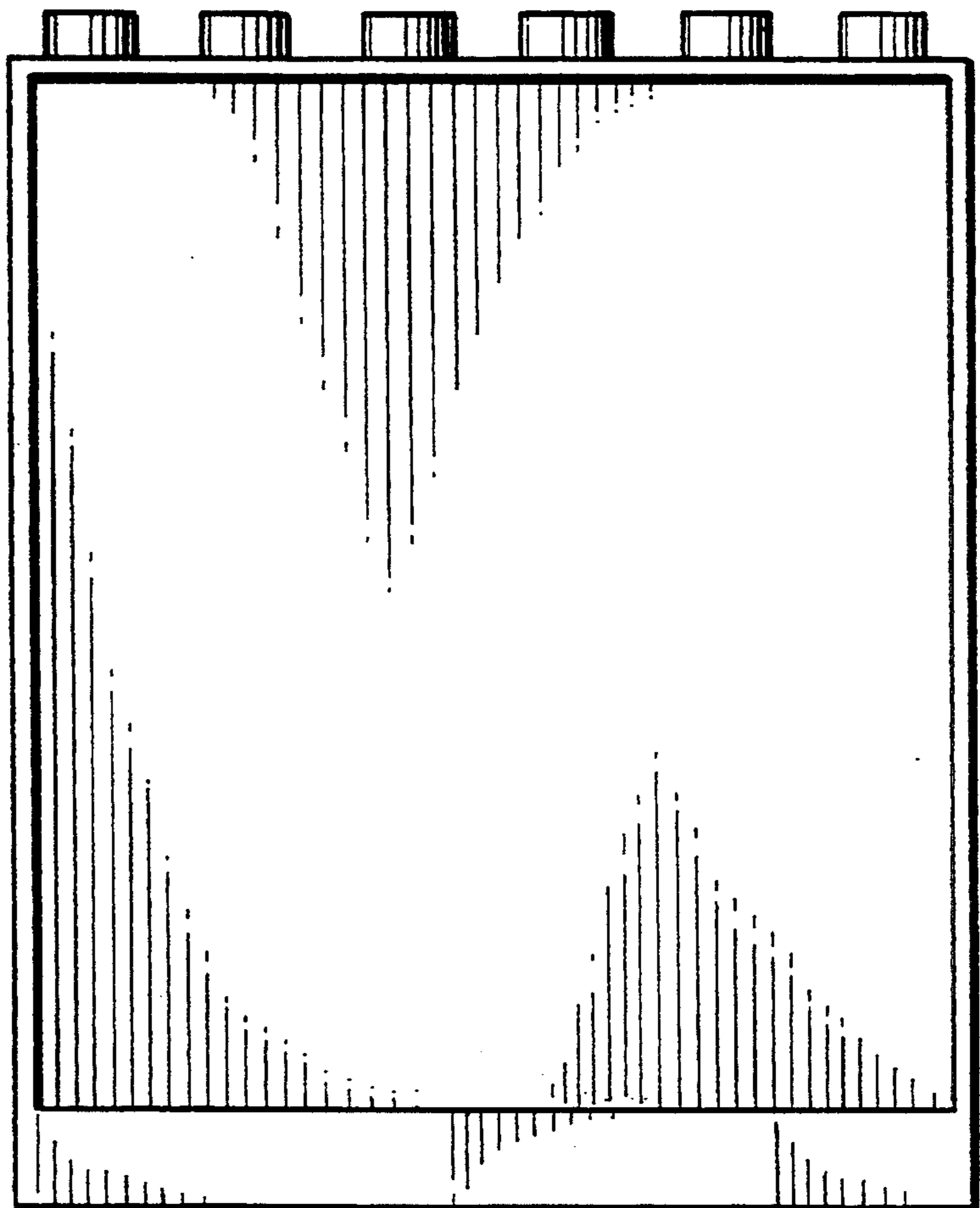


FIG. 3

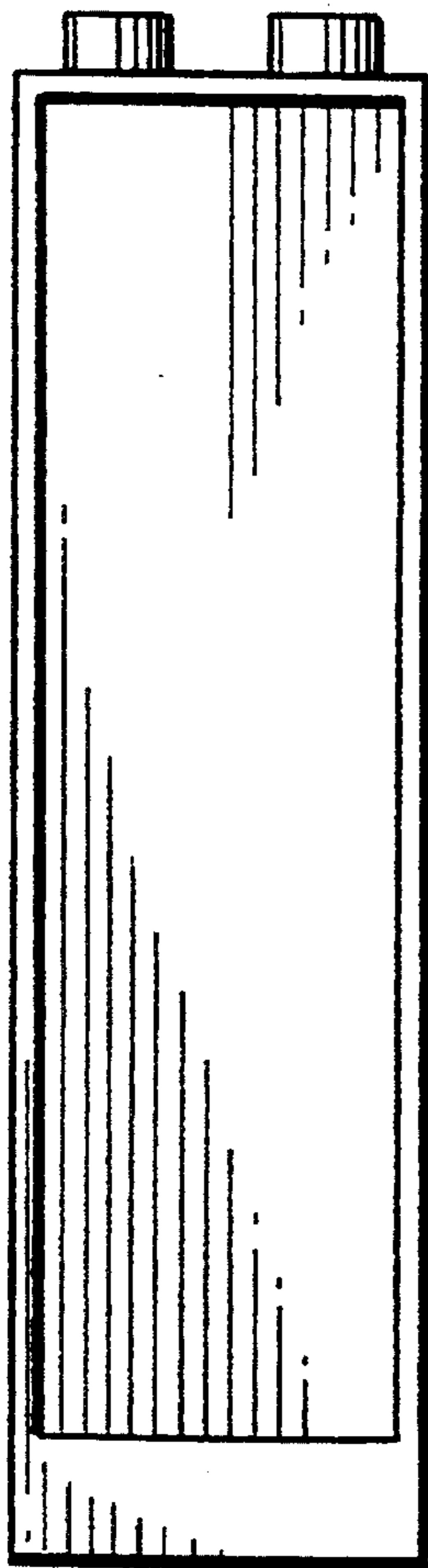


FIG. 6

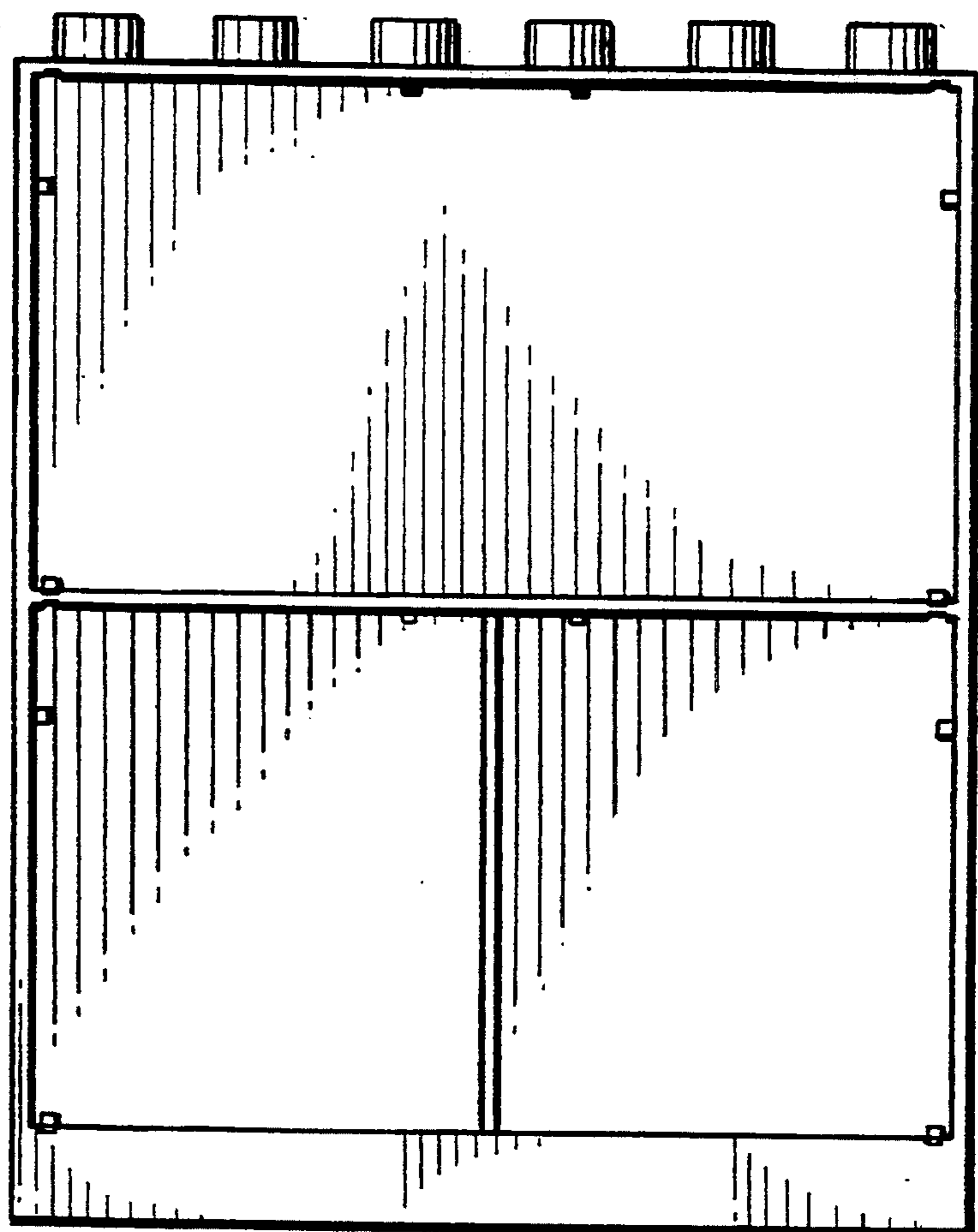


FIG. 5

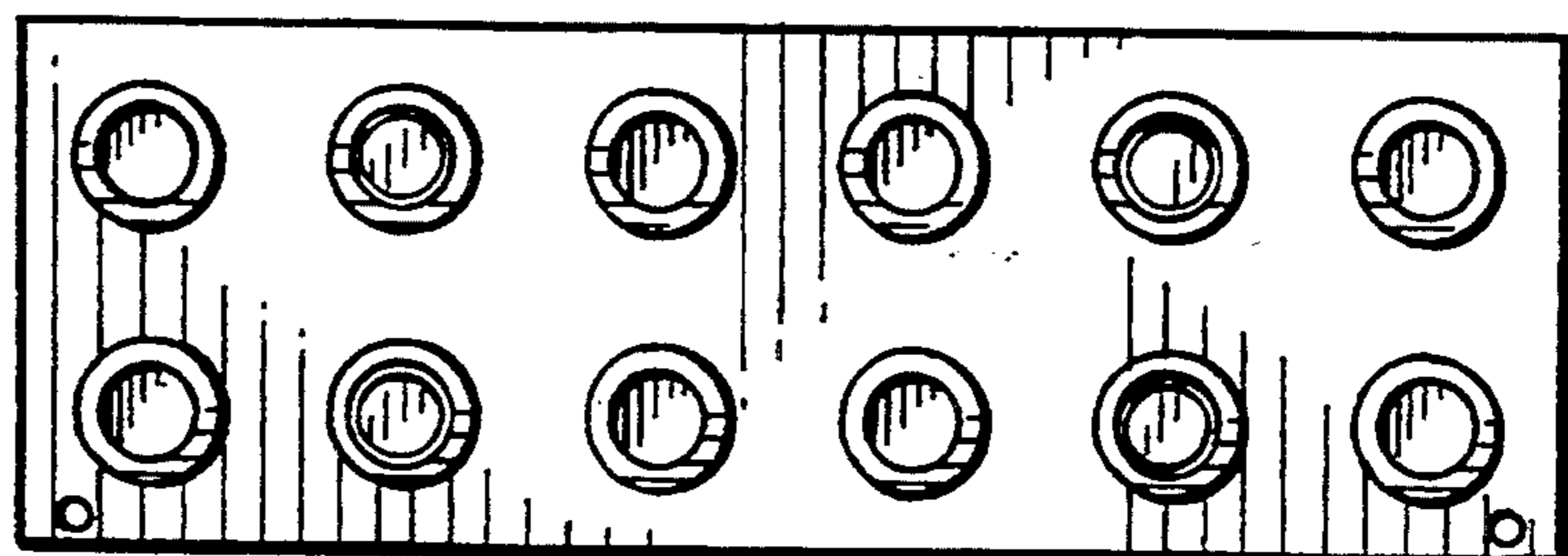


FIG. 7