



US00D352743S

# United States Patent [19]

[11] Patent Number: **Des. 352,743**

**Kushner et al.**

[45] Date of Patent: **\*\* Nov. 22, 1994**

[54] **BUILDING ELEMENT FOR A TOY BUILDING SET**

4,744,780 5/1988 Volpe ..... 446/128  
4,964,833 10/1990 Suzuki ..... 446/118

[75] Inventors: **Philip M. Kushner, Greve Strand; Kenn Rasmussen, Valby; Niels Øhrwald, Espergaerde, all of Denmark**

### OTHER PUBLICATIONS

Child Guidance Toys, lower left of page.  
Fisher Price Catalog 1992, p. 8, lower left of page.

[73] Assignee: **Interlego A.G., Baar, Switzerland**

*Primary Examiner*—Melvin B. Feifer  
*Assistant Examiner*—R. Barkai  
*Attorney, Agent, or Firm*—Kane, Dalsimer, Sullivan, Kurucz, Levy, Eisele and Richard

[\*\*] Term: **14 Years**

[21] Appl. No.: **13,271**

### [57] CLAIM

[22] Filed: **Sep. 22, 1993**

The ornamental design for a building element for a toy building set, as shown and described.

[52] U.S. Cl. .... **D21/108**

[58] Field of Search ..... 446/108, 110, 115-116, 446/120, 122, 124-125, 128, 478; 434/172; D21/108-109, 141; D19/59

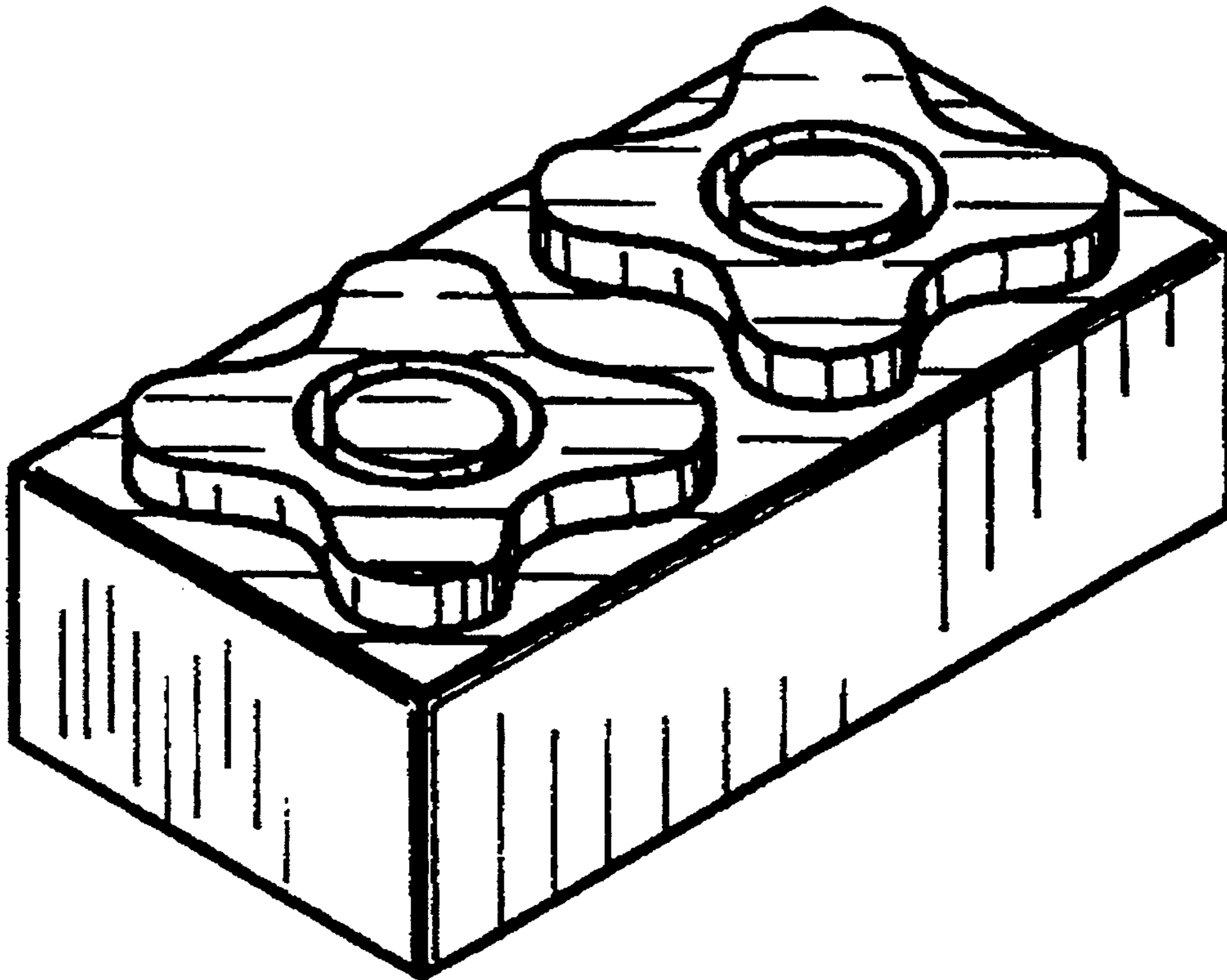
### DESCRIPTION

### [56] References Cited

#### U.S. PATENT DOCUMENTS

D. 281,794	12/1985	Short	.....	D21/108
D. 297,303	8/1988	Finklestein	.....	D21/108
D. 330,052	10/1992	Klitsner	.....	D21/108
2,406,759	9/1946	Glukes	.....	D21/108
2,442,122	5/1948	Erhardt	.....	446/128
2,461,535	2/1949	Erhardt	.....	446/128
3,005,282	10/1961	Christiansen	.....	446/128
3,414,986	12/1968	Stassen	.....	D21/108

FIG. 1 is a top perspective view of the building element for a toy building set showing our new design; FIG. 2 is a bottom perspective view thereof; FIG. 3 is a right side elevational view thereof; FIG. 4 is a front elevational view thereof; FIG. 5 is a left side elevational view thereof; FIG. 6 is a rear elevational view thereof; FIG. 7 is a top plan view thereof; FIG. 8 is a bottom plan view thereof; and, FIG. 9 is a partial view thereof, shown separately for clarity of illustration only.



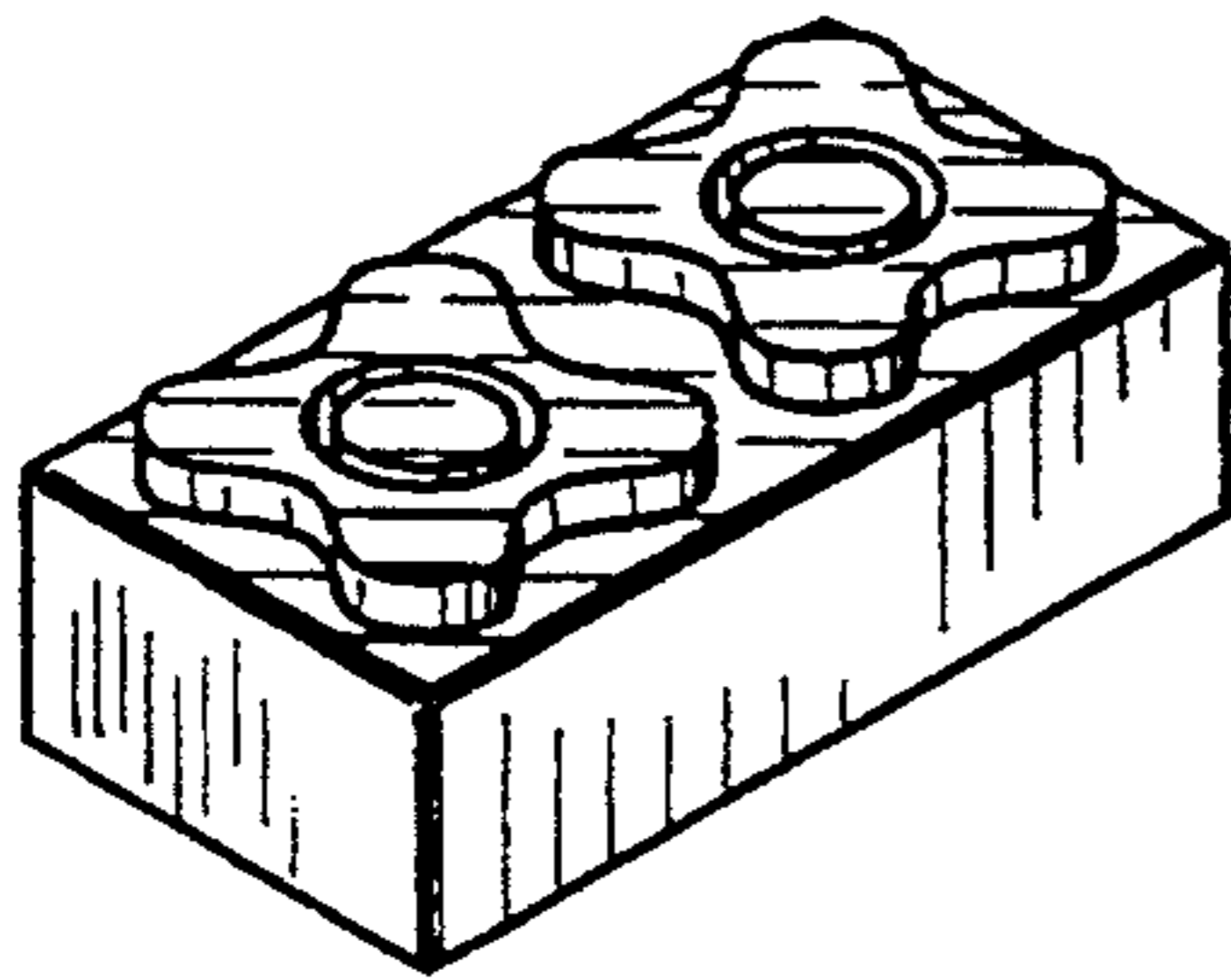


FIG. 1

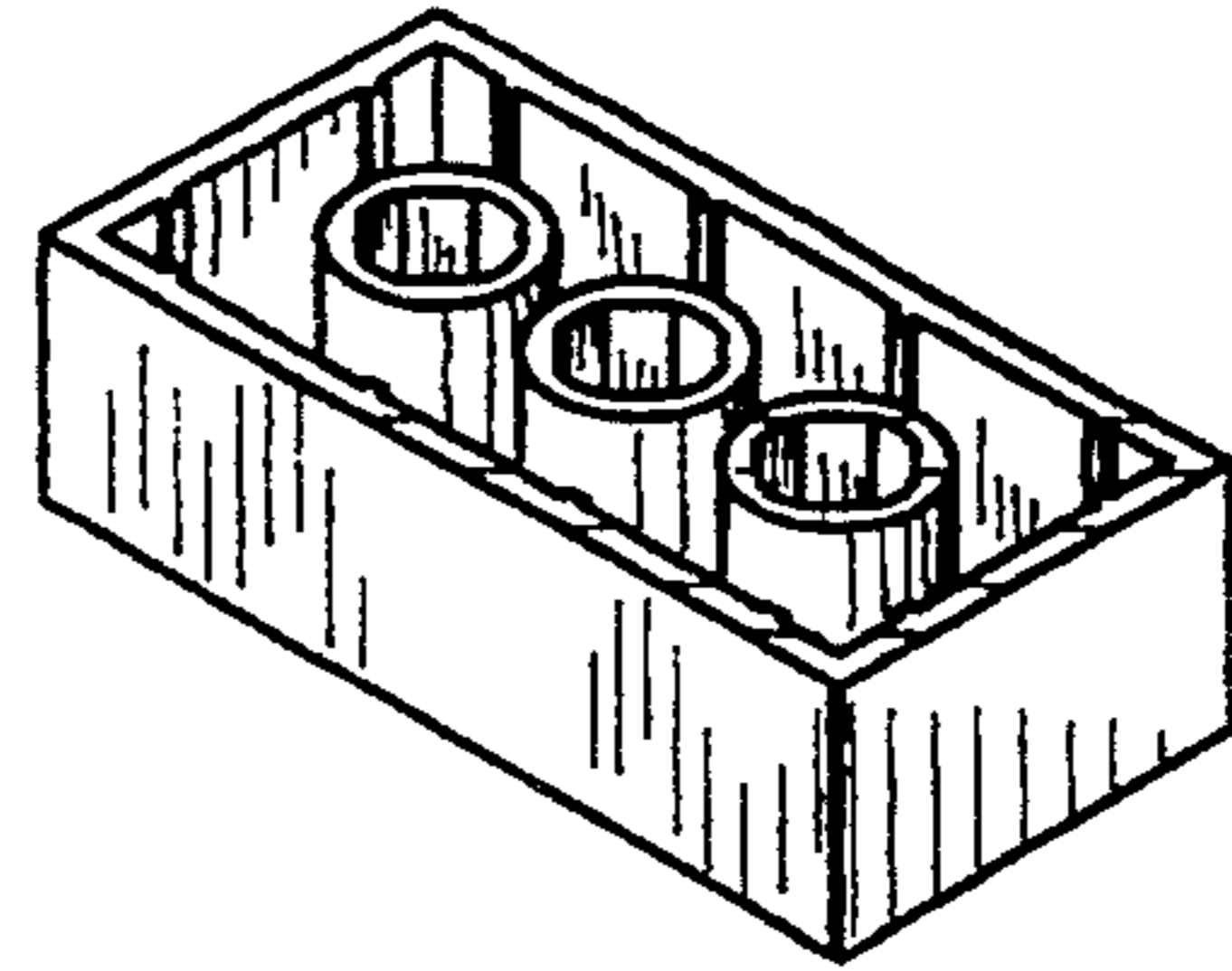


FIG. 2

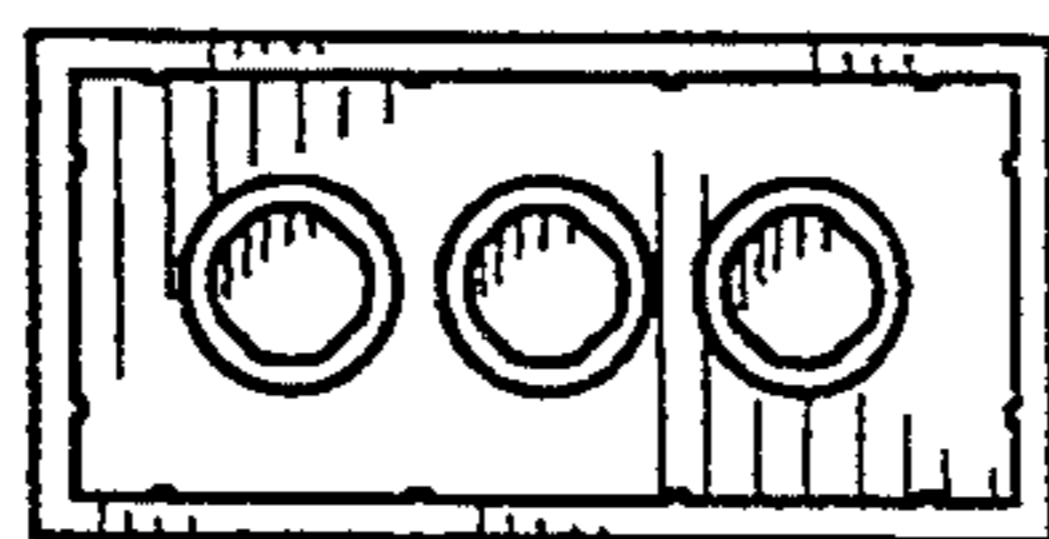


FIG. 8

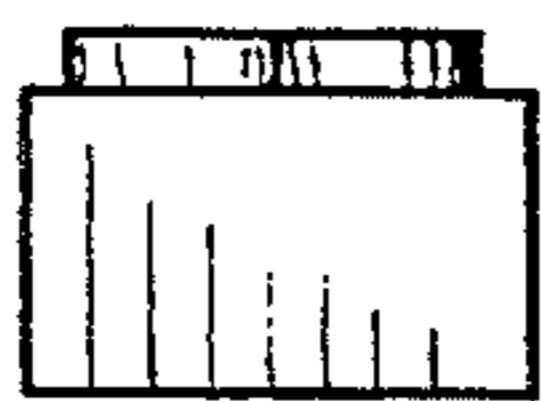


FIG. 6

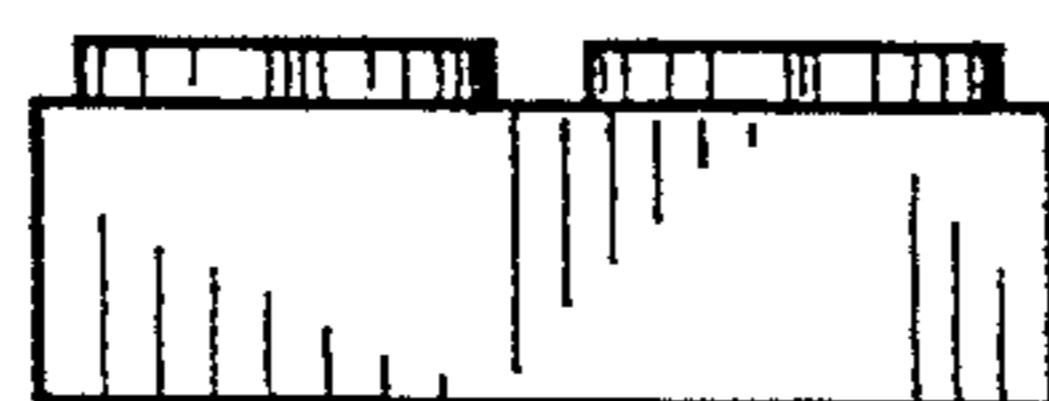


FIG. 5

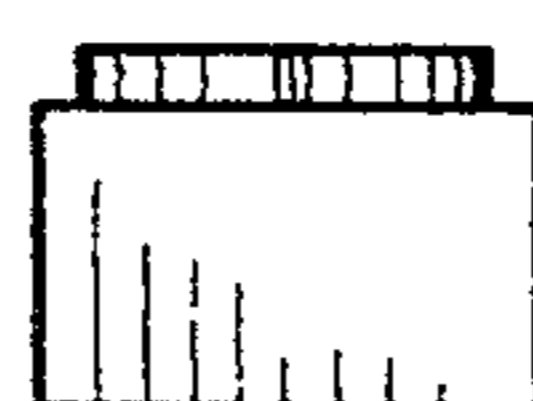


FIG. 4



FIG. 3

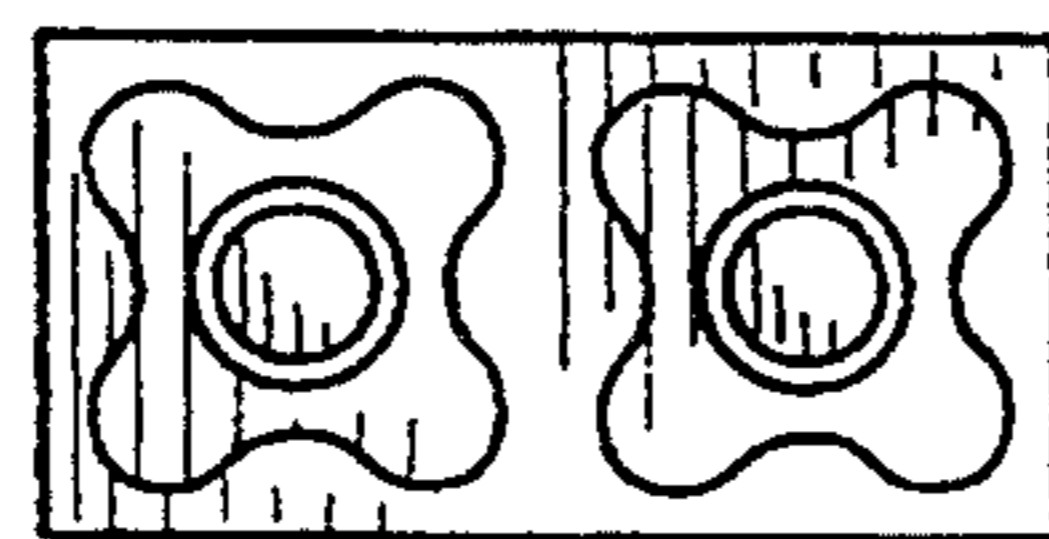
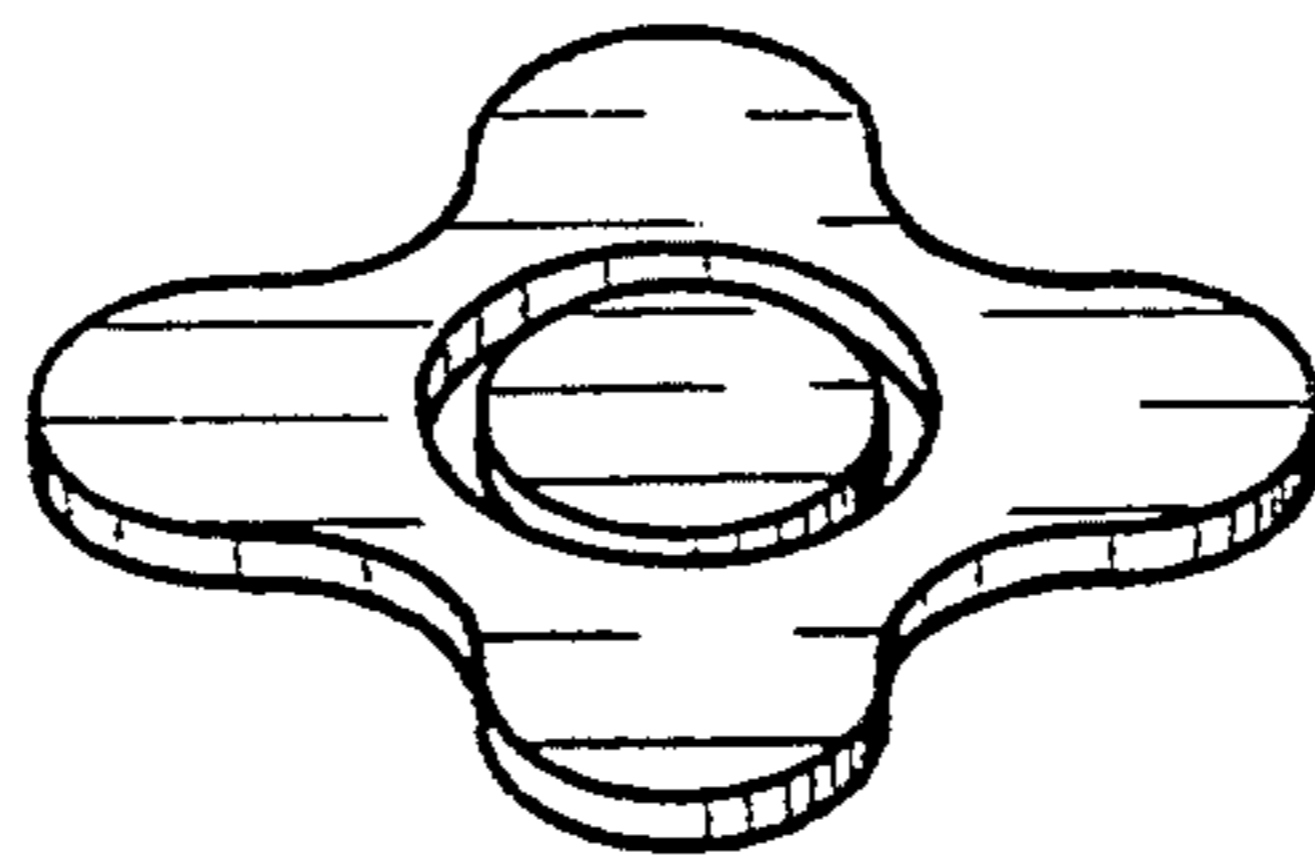


FIG. 7



*FIG. 9*