



US00D352740S

United States Patent [19]

[11] Patent Number: Des. 352,740

Chiang

[45] Date of Patent: ** Nov. 22, 1994

[54] TOY

[75] Inventor: Chuan T. Chiang, Hong Kong, Hong Kong

[73] Assignee: Zei Hong Manufacturing Co., Kowloon, Hong Kong

[**] Term: 14 Years

[21] Appl. No.: 9,156

[22] Filed: Jun. 7, 1993

[52] U.S. Cl. D21/59; D21/85

[58] Field of Search 446/411-413, 446/450-453; D21/59, 64, 82, 85

D. 302,186 7/1989 Klawitta D21/59
 1,952,832 3/1934 Allen 446/412
 2,377,104 5/1945 Rapaport 446/452
 4,765,636 8/1988 Speer 446/451 X

Primary Examiner—Bernard Ansher
 Assistant Examiner—Dominic Simone
 Attorney, Agent, or Firm—Ostrager, Chong & Flaherty

[57] CLAIM

The ornamental design for a toy, as shown and described.

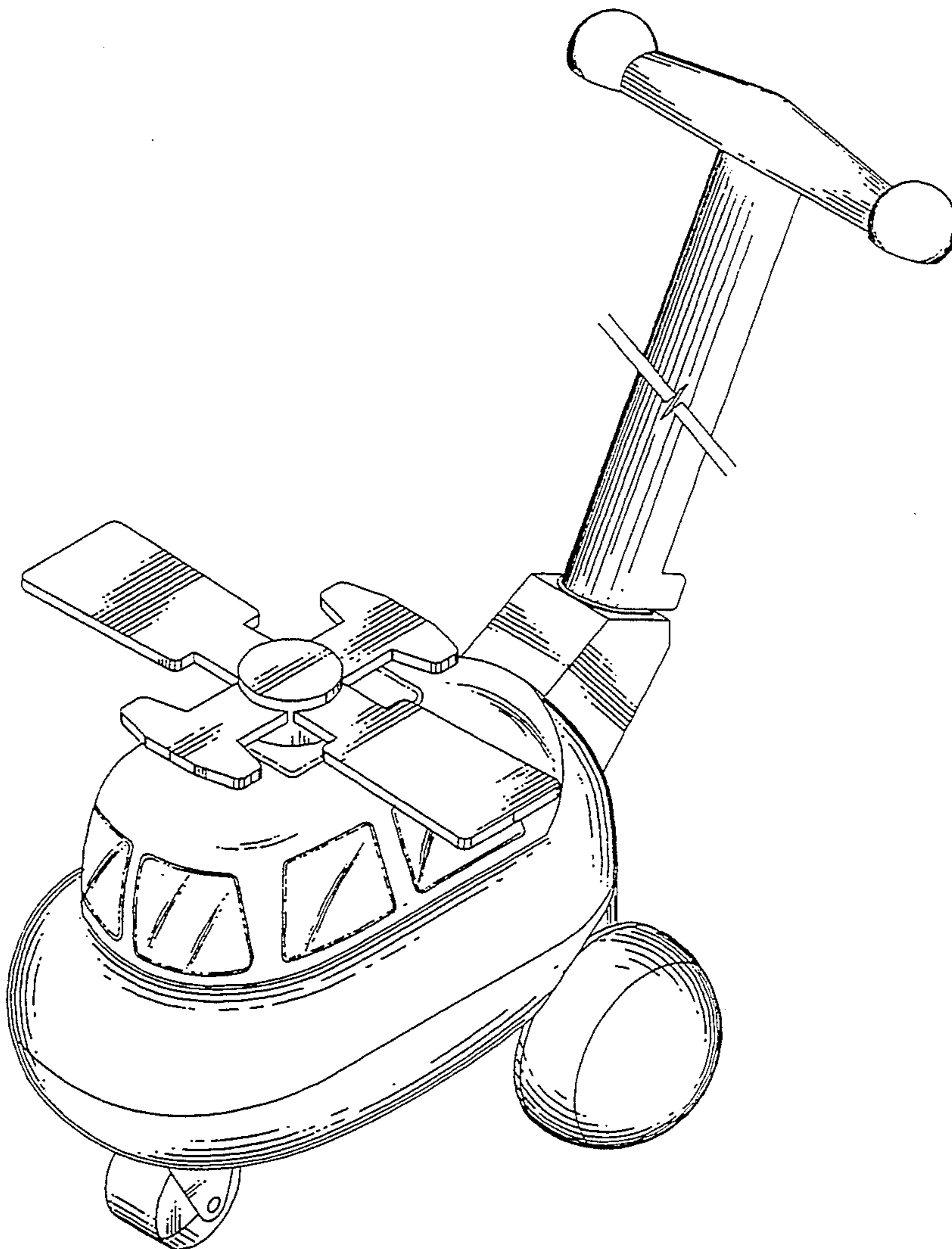
DESCRIPTION

FIG. 1 is a front elevational view of a toy showing my new design;
 FIG. 2 is a rear elevational view thereof;
 FIG. 3 is a left side elevational view thereof;
 FIG. 4 is a right side elevational view thereof;
 FIG. 5 is a top plan view thereof;
 FIG. 6 is a bottom plan view thereof; and,
 FIG. 7 is a perspective view thereof.

[56] References Cited

U.S. PATENT DOCUMENTS

D. 138,191 7/1944 Wilson D21/64 X
 D. 184,553 3/1959 Albert D21/86
 D. 209,527 12/1967 Genin D21/64
 D. 258,671 3/1981 Sase D21/85



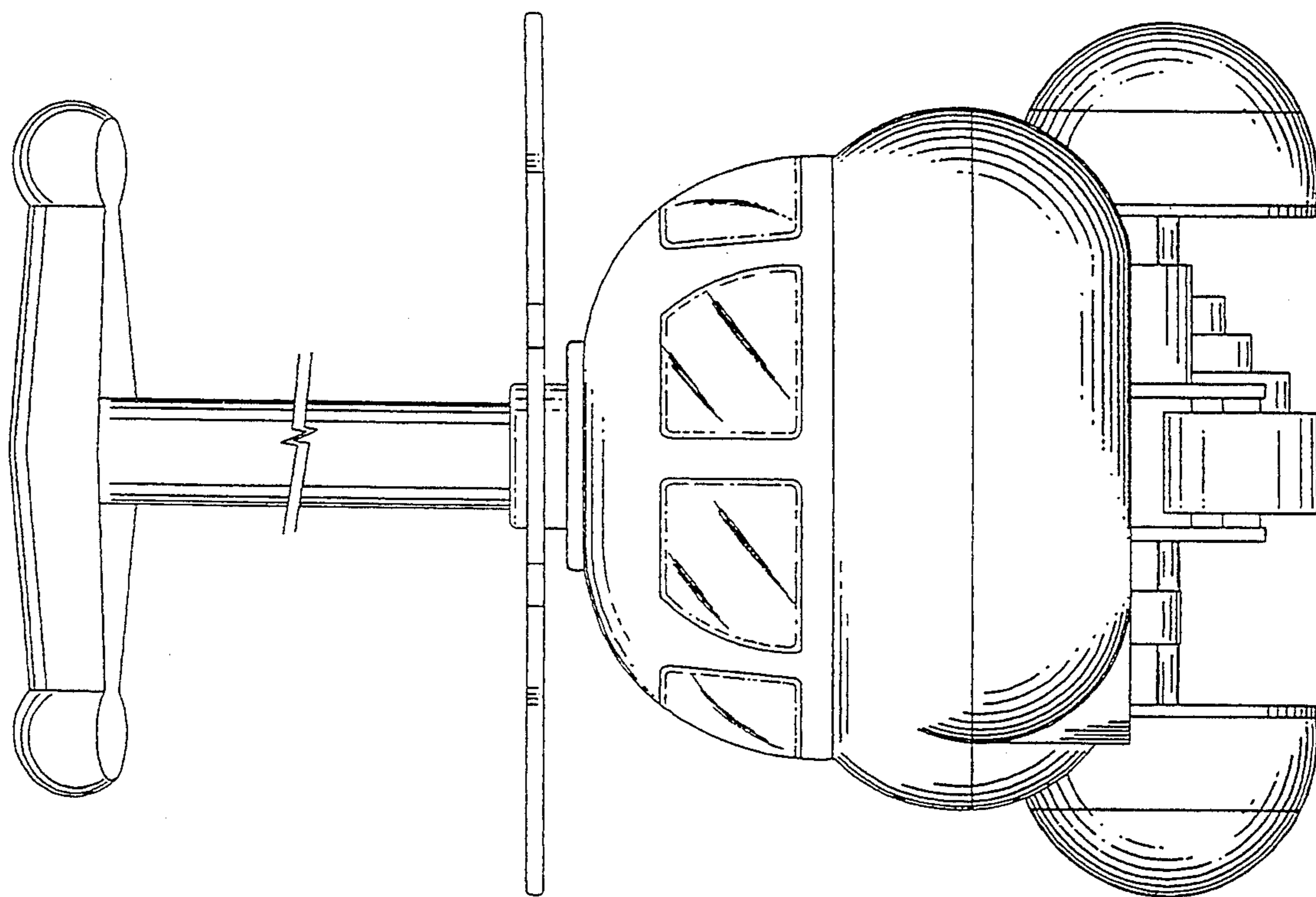


FIG 1

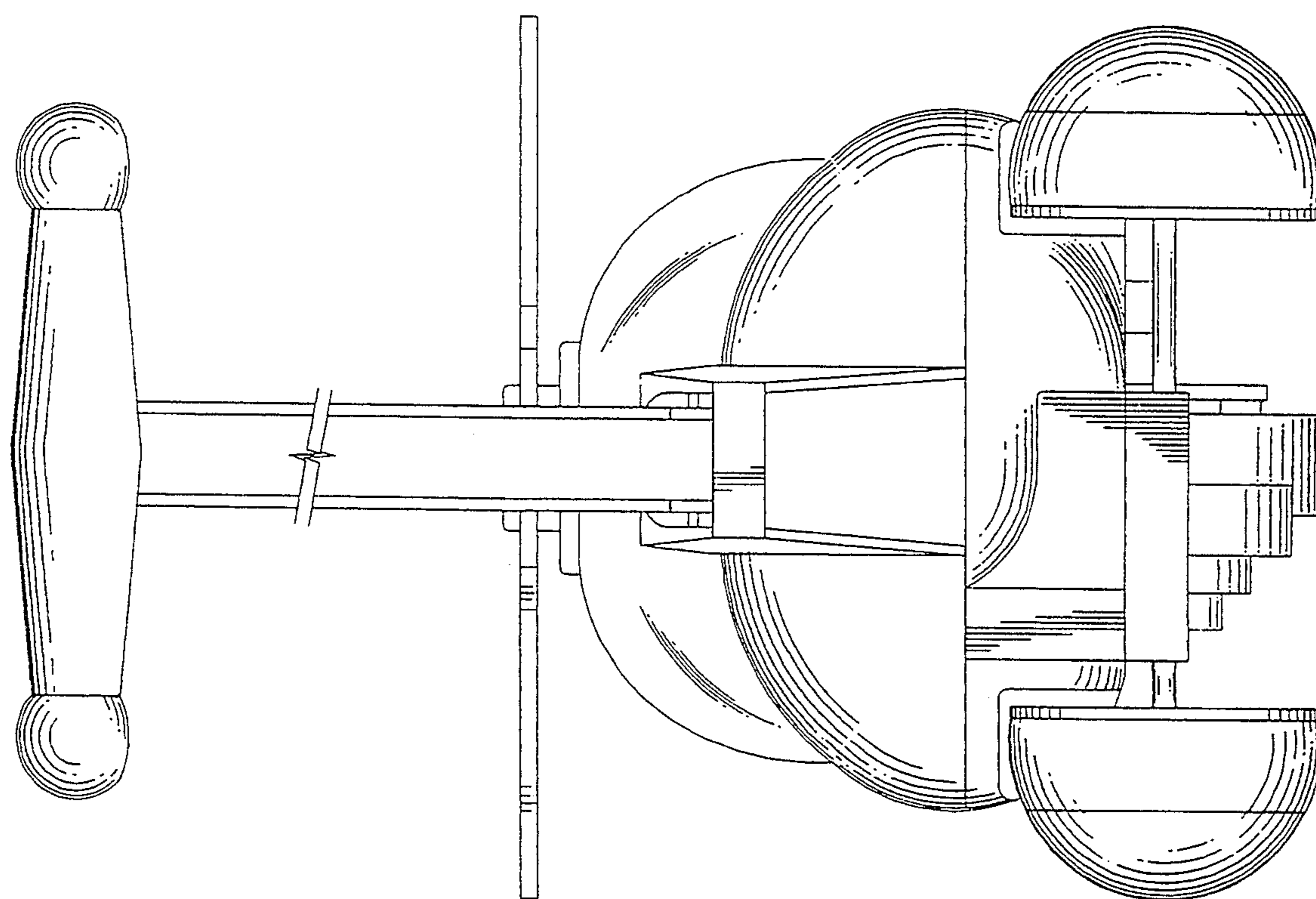


FIG 2

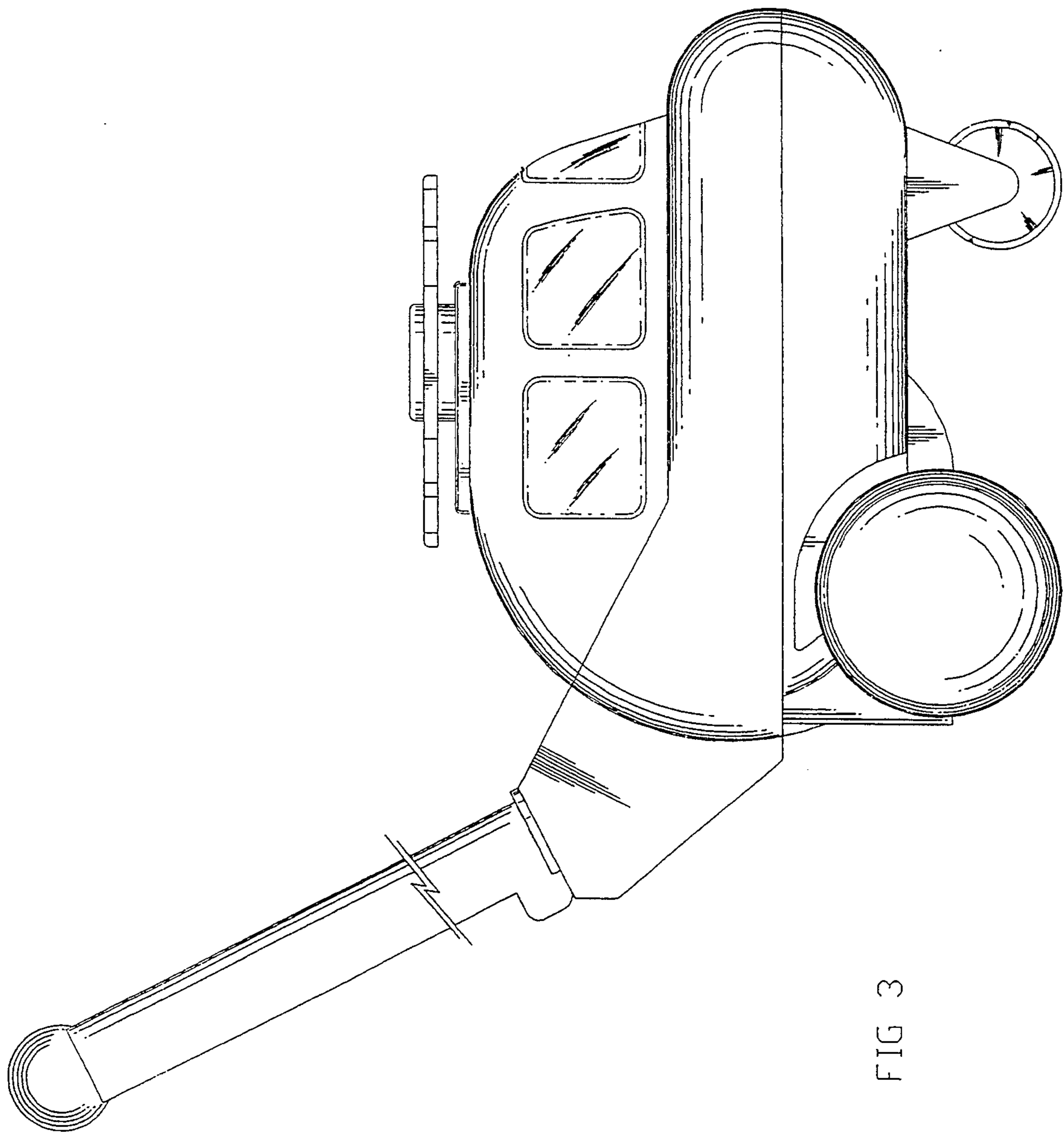


FIG 3

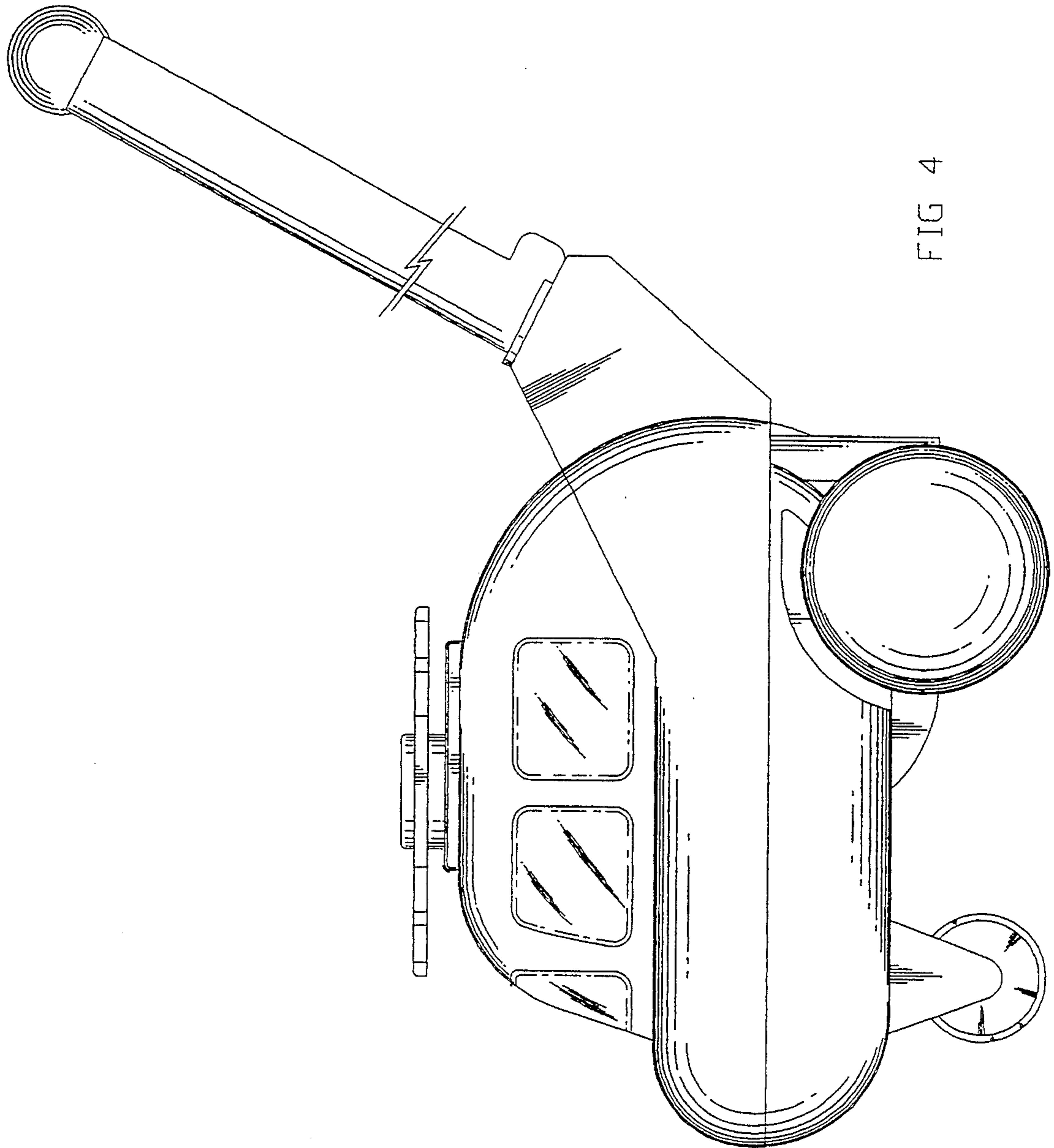


FIG 4

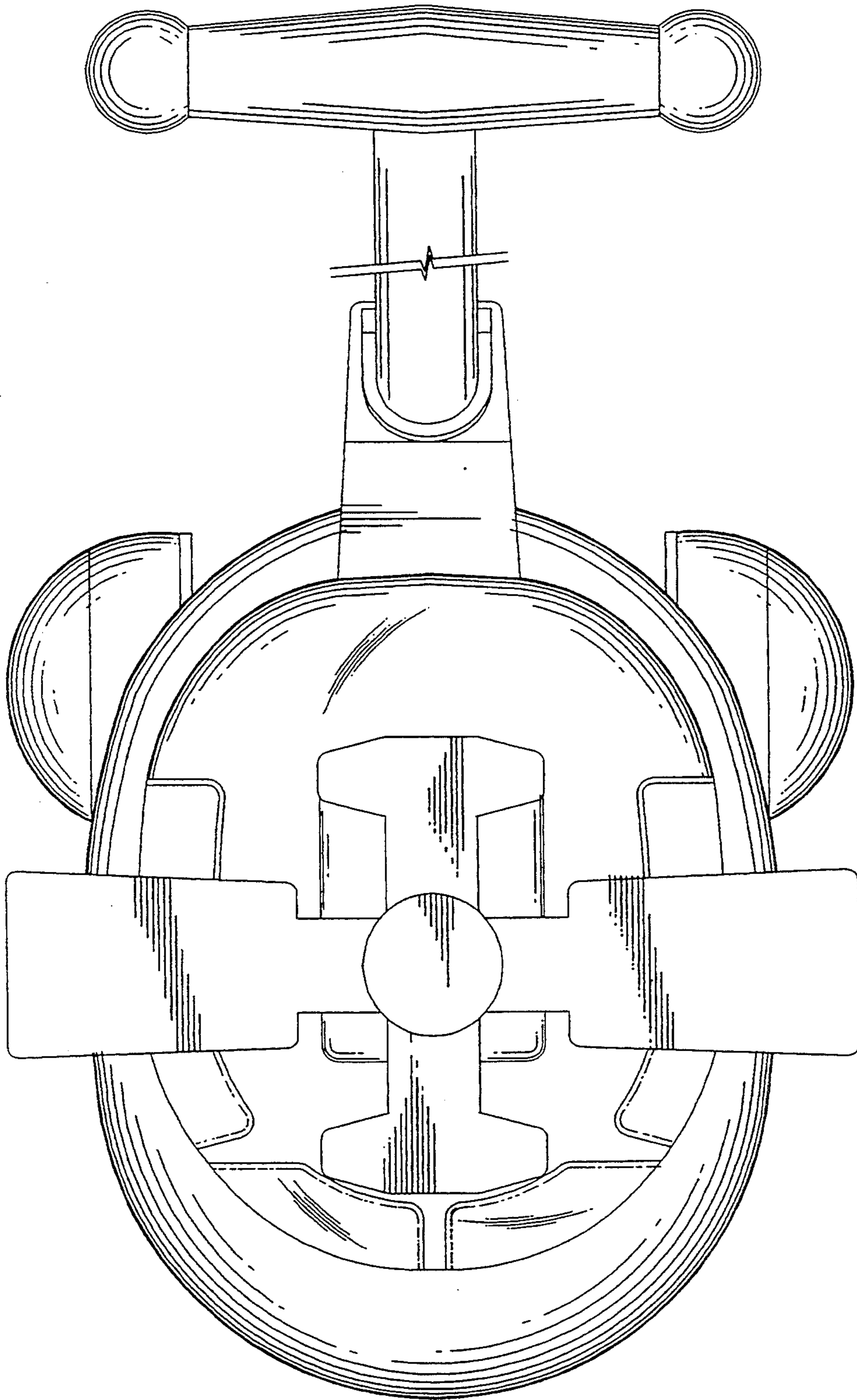


FIG 5

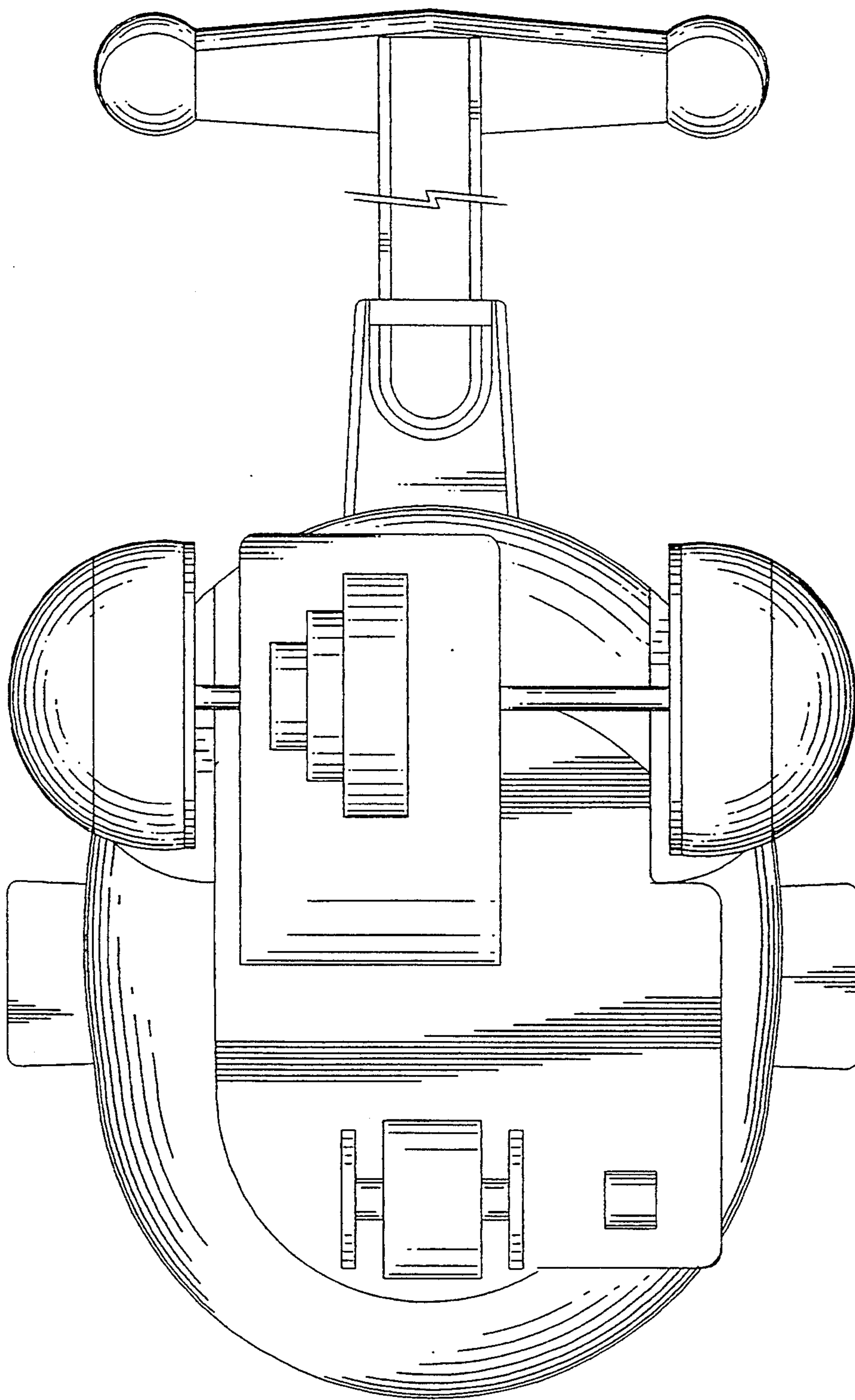


FIG 6

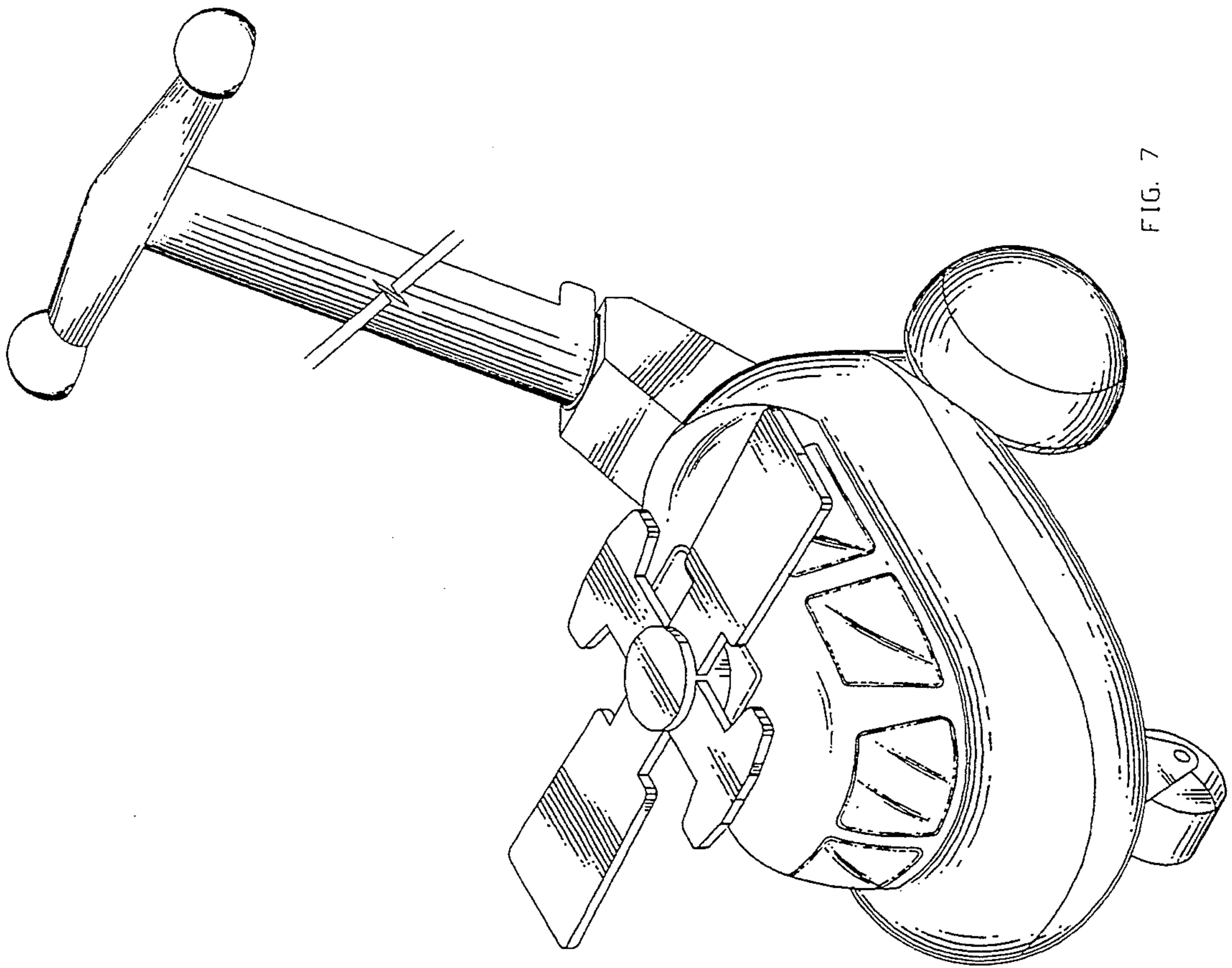


FIG. 7