



US00D352739S

# United States Patent [19] Ho

[11] Patent Number: **Des. 352,739**  
[45] Date of Patent: **\*\* Nov. 22, 1994**

[54] **JOYSTICK**

[75] Inventor: **Patrick T. Ho, Kwai Chung, Hong Kong**

[73] Assignee: **STD Electronic International Ltd., Hong Kong, Hong Kong**

[\*\*] Term: **14 Years**

[21] Appl. No.: **13,056**

[22] Filed: **Sep. 16, 1993**

[52] U.S. Cl. .... **D21/48**

[58] Field of Search ..... **273/148 B, 433-438, 273/DIG. 28; D21/1, 13, 48; D14/100, 114; D13/158**

[56] **References Cited**

**U.S. PATENT DOCUMENTS**

D. 317,948	7/1991	Tse	.....	D21/48
D. 333,848	3/1993	Tse	.....	D21/48
D. 340,479	10/1993	Ho	.....	D21/48
4,501,424	2/1985	Stone et al.	.....	273/148 B
4,658,666	4/1987	Liu	.....	273/438 X

**OTHER PUBLICATIONS**

Hong Kong Enterprise, Oct. 1990, p. 813, item #QS-123.

Merchandising, Mar. 1983, p. 53 as shown.

Home Furnishing Daily, Feb. 1988, p. 79 as shown.

*Primary Examiner*—Prabhakar G. Deshmukh

*Attorney, Agent, or Firm*—Samuels, Gauthier & Stevens

[57] **CLAIM**

The ornamental design for a joystick, as shown and described.

**DESCRIPTION**

FIG. 1 is the front elevational view of a joystick showing my new design;

FIG. 2 is the rear elevational view thereof;

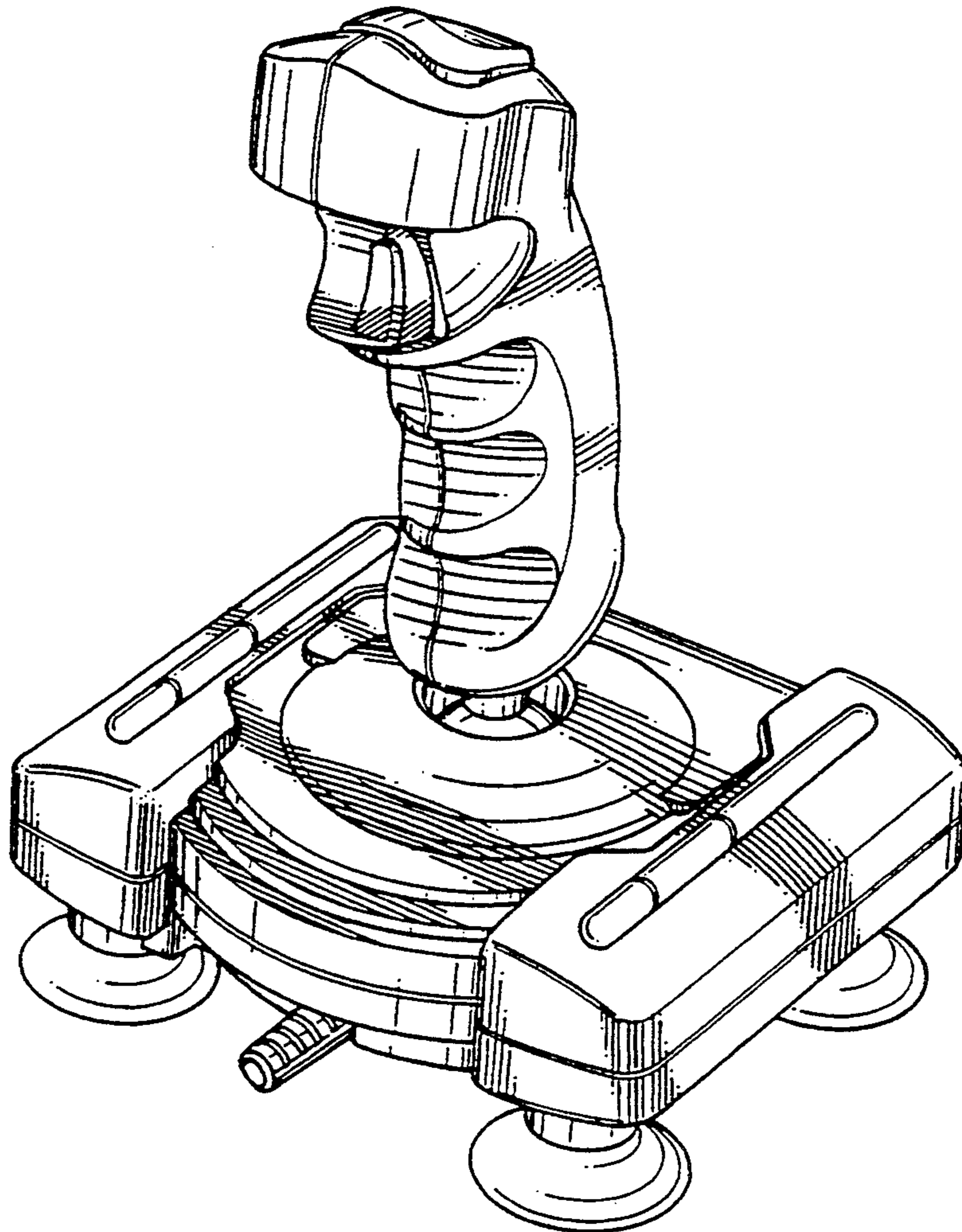
FIG. 3 is the left side view thereof;

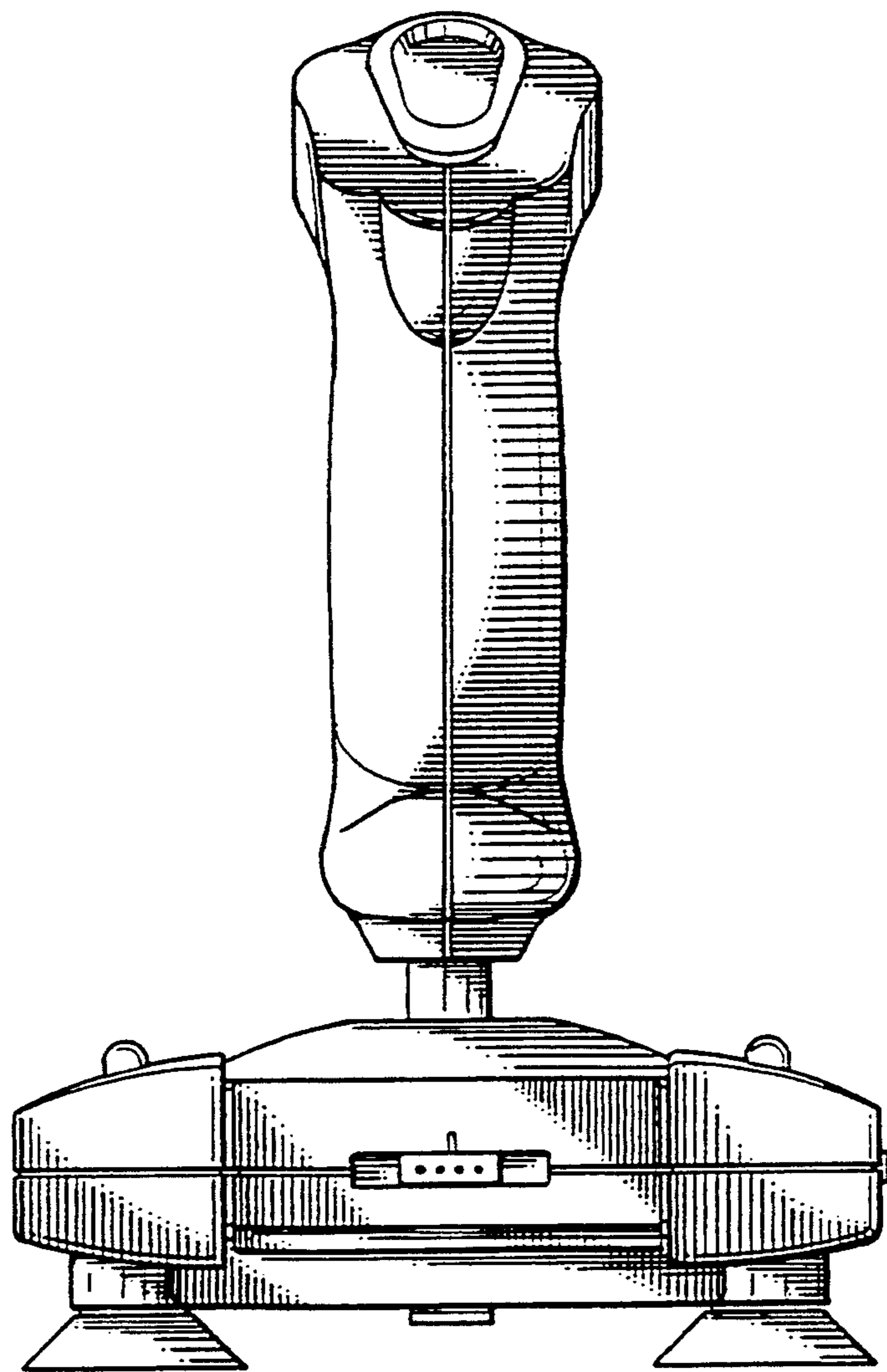
FIG. 4 is the right side view thereof;

FIG. 5 is the top plan view thereof;

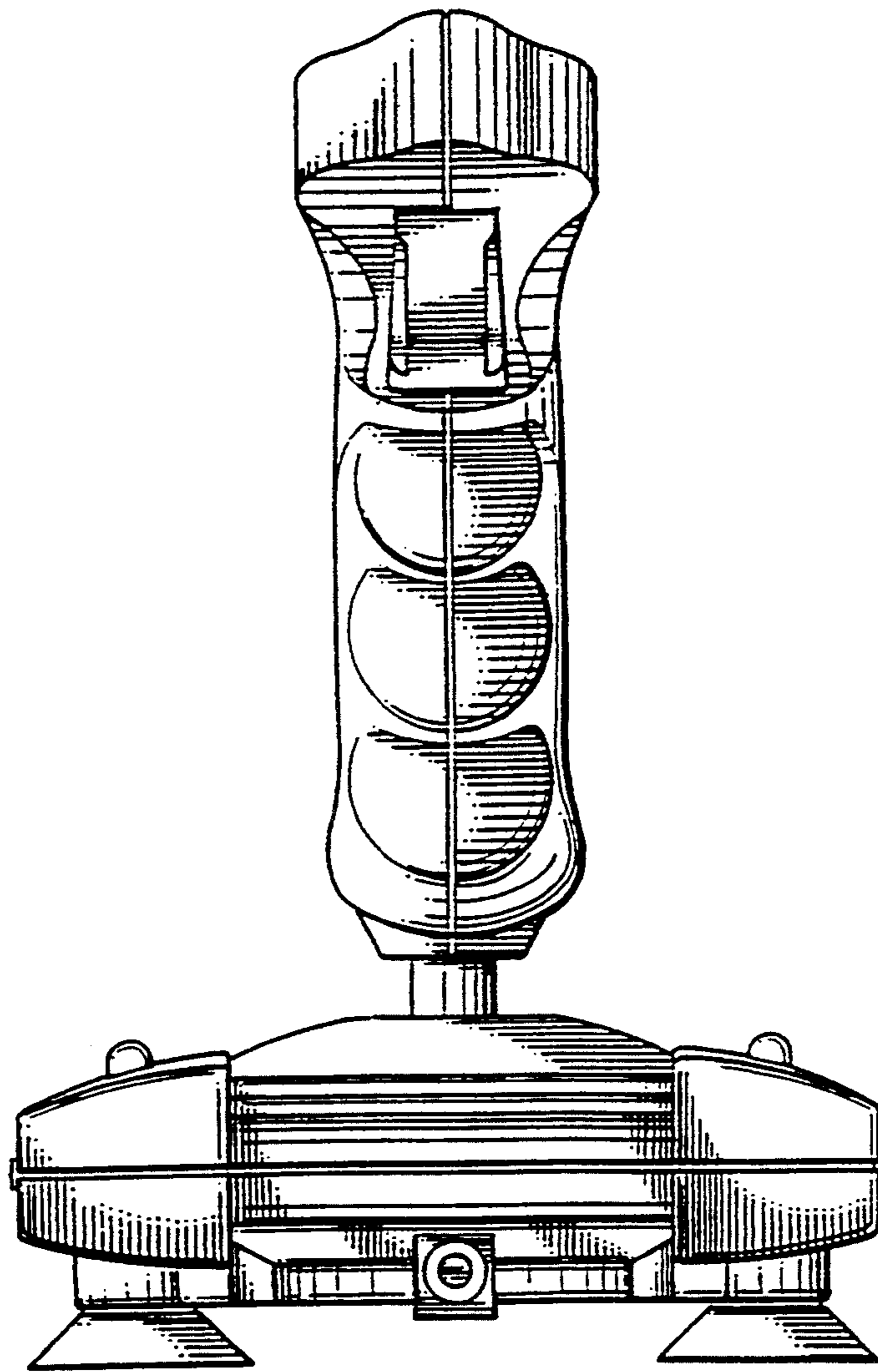
FIG. 6 is the bottom plan view thereof; and,

FIG. 7 is the perspective view from rear and left side thereof.

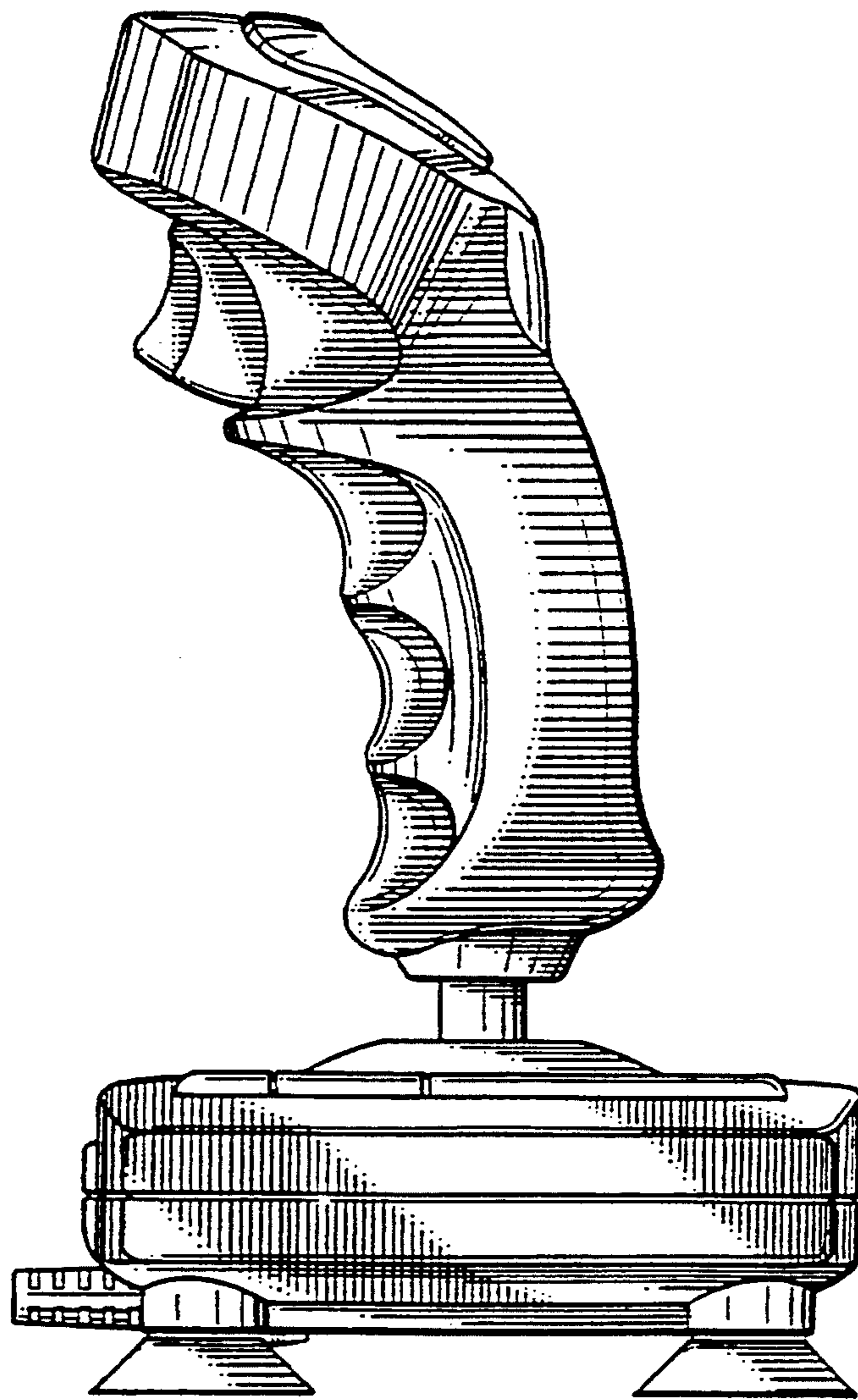




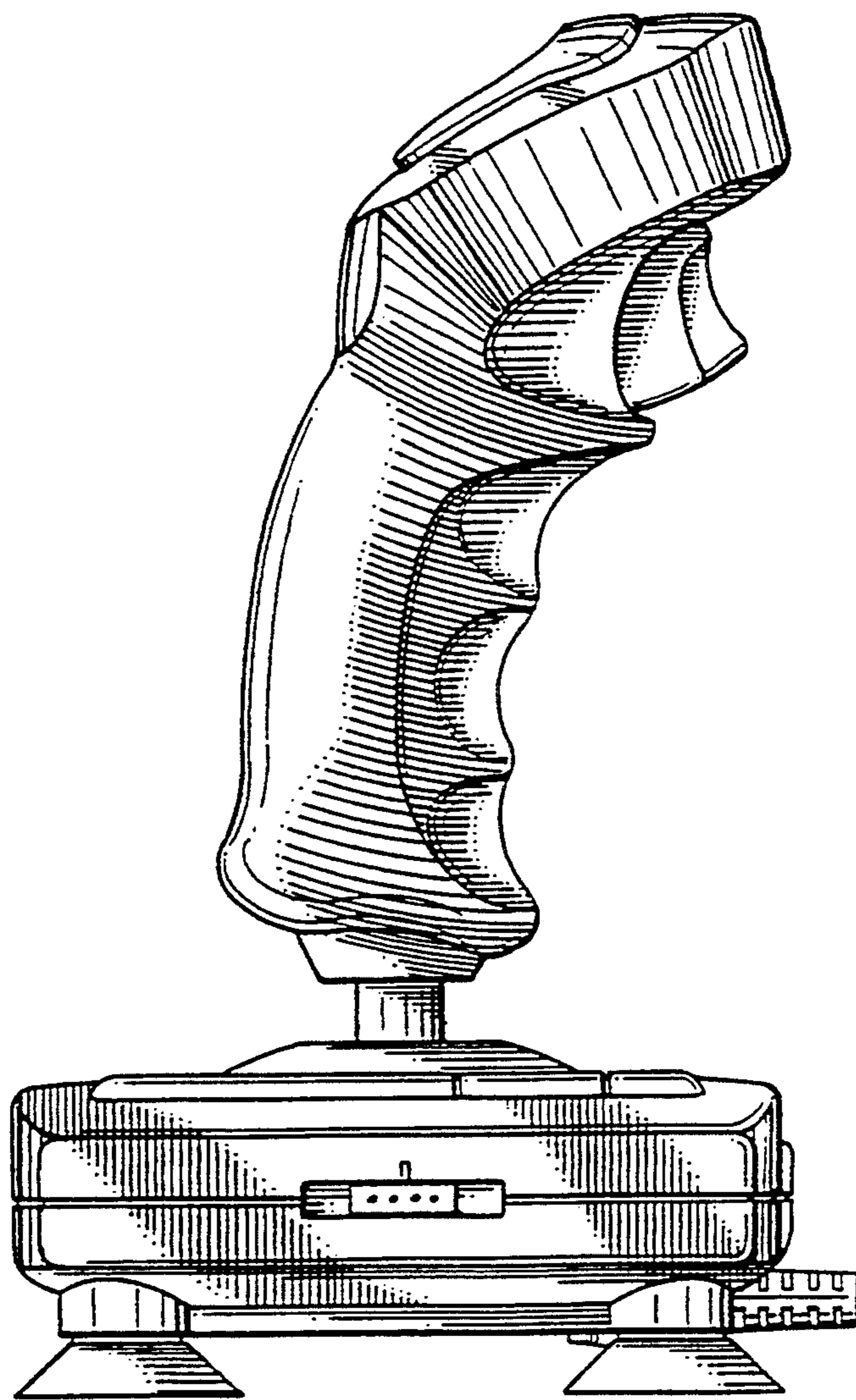
*FIG. 1*



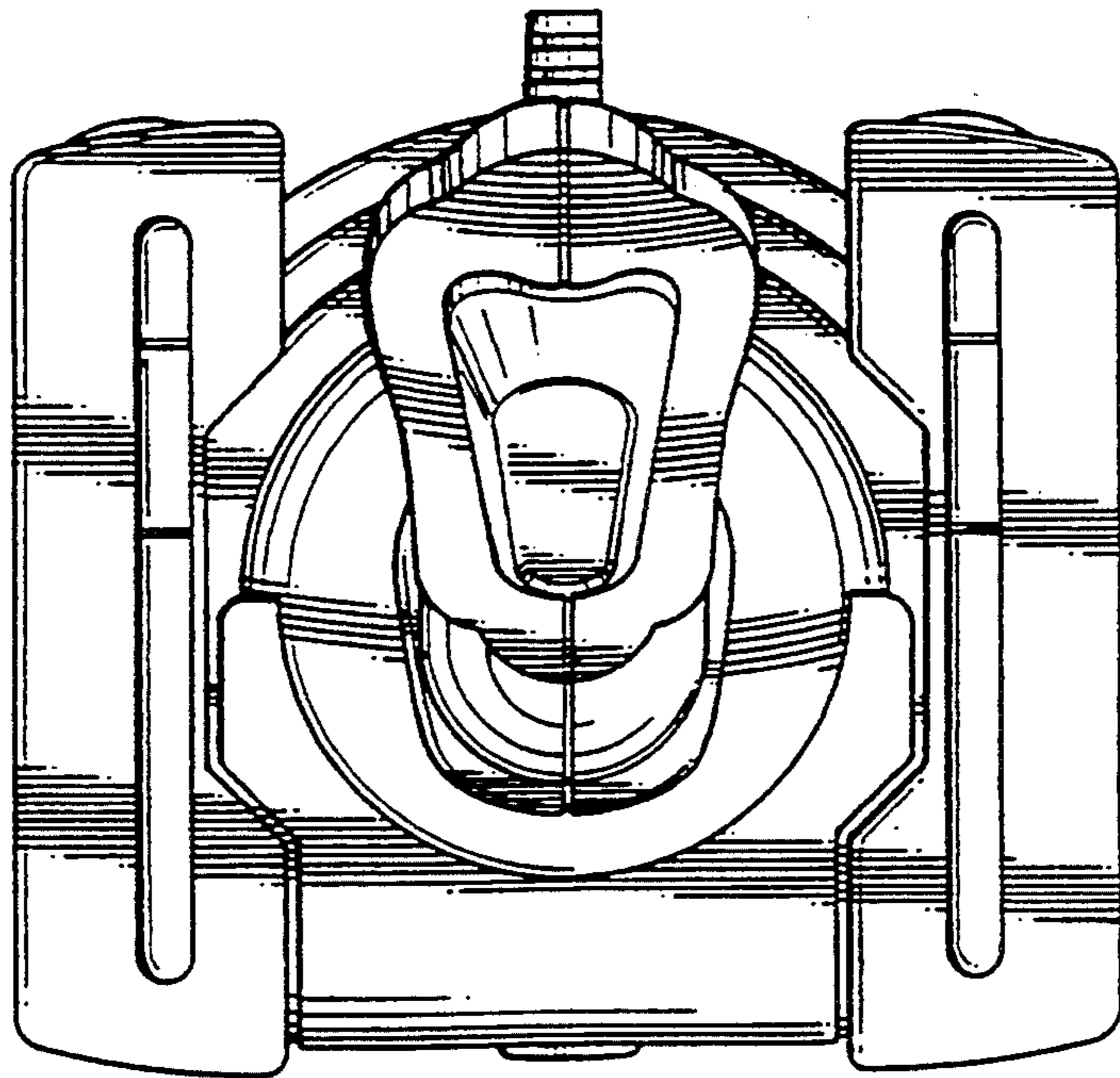
*FIG. 2*



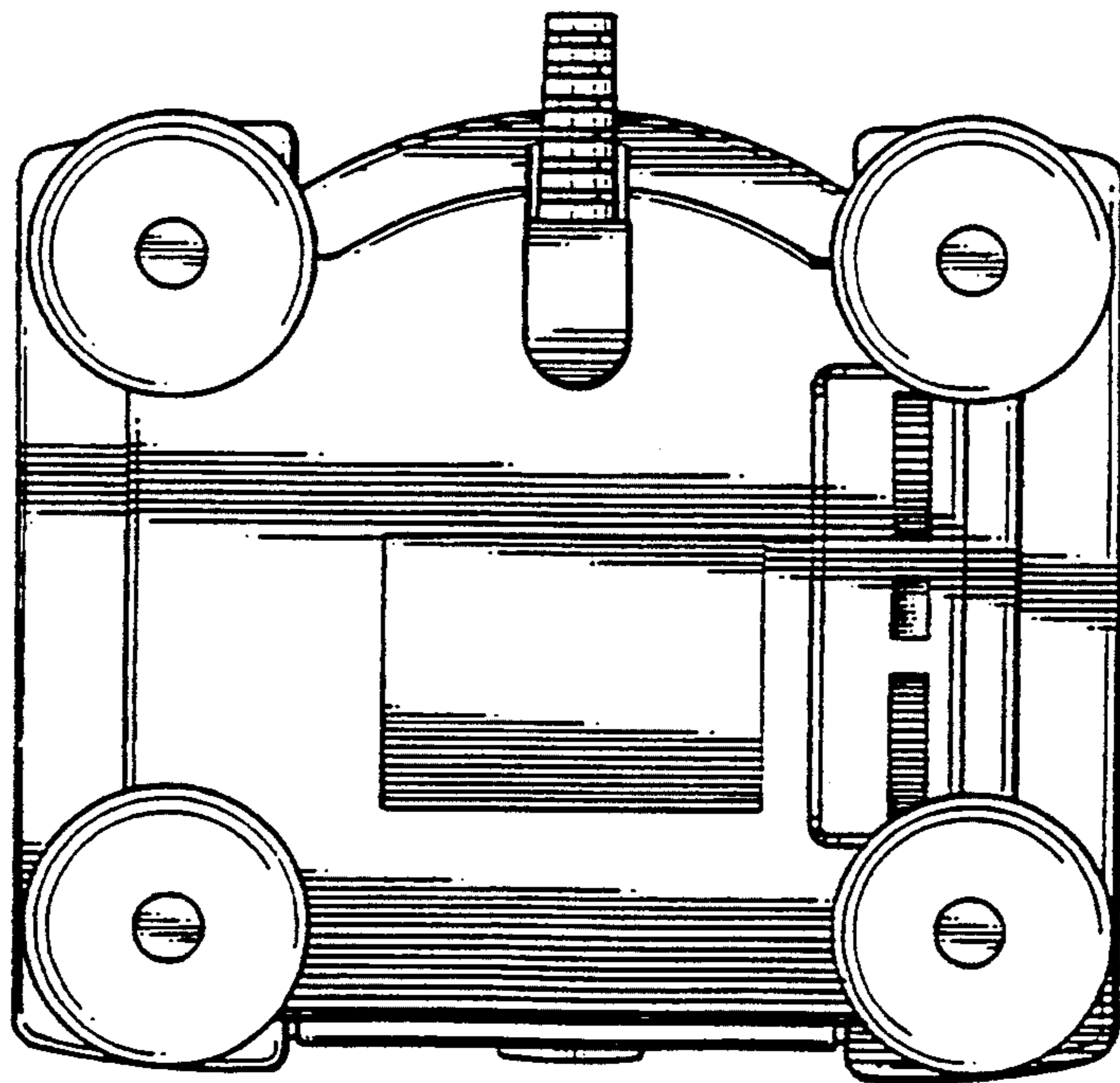
*FIG. 3*



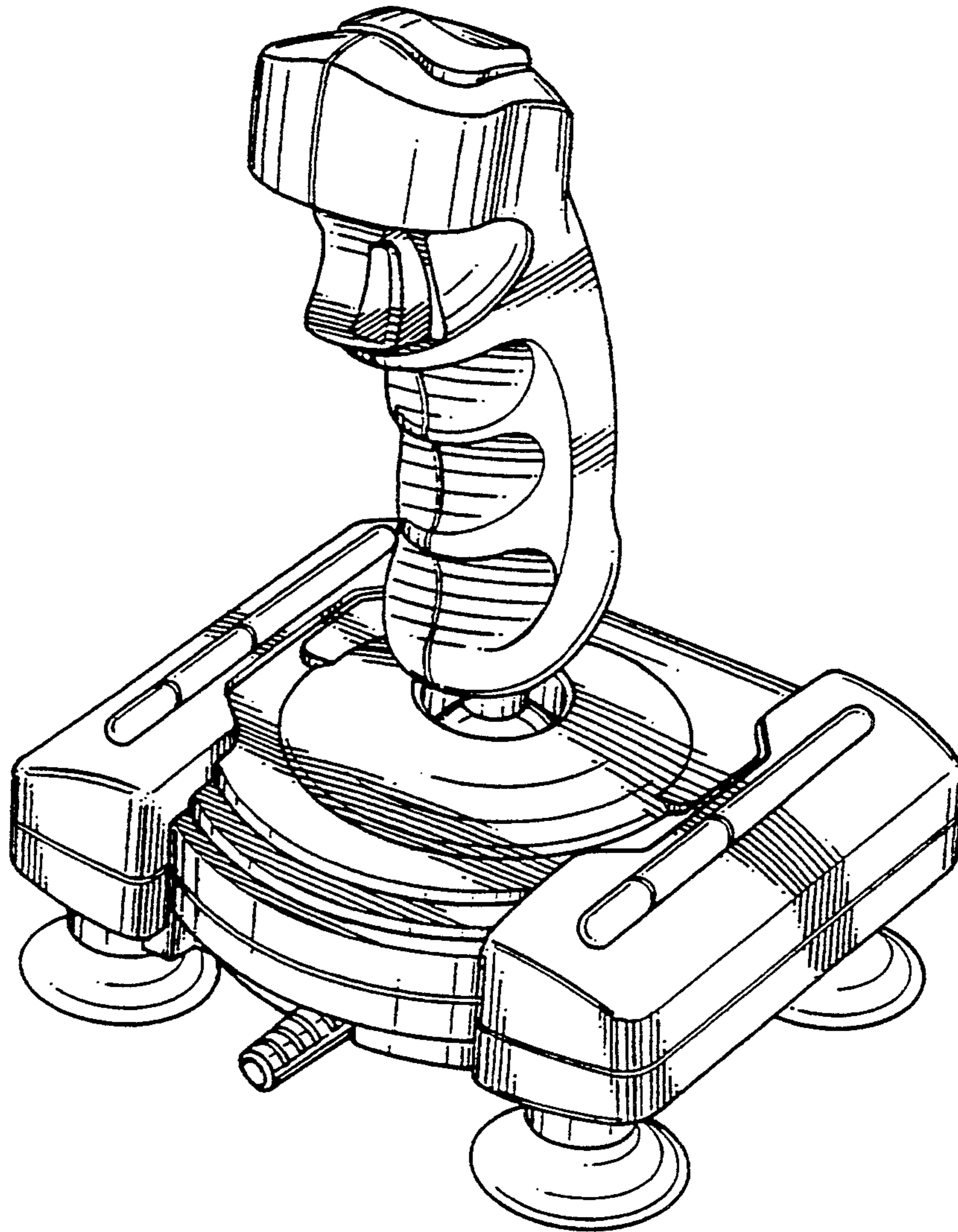
**FIG. 4**



*FIG. 5*



*FIG. 6*



**FIG. 7**