



US00D352733S

# United States Patent [19]

[11] Patent Number: **Des. 352,733**

French et al.

[45] Date of Patent: **\*\* Nov. 22, 1994**

## [54] CARRIER FOR RING BINDER

[76] Inventors: **Diana J. French; Charlotte M. Odau**, both of 2009 Linden Lake Rd., Fort Collins, Colo. 80524

[\*\*] Term: **14 Years**

[21] Appl. No.: **4,734**

[22] Filed: **Feb. 11, 1993**

[52] U.S. Cl. .... **D19/32**

[58] Field of Search ..... 40/537, 643, 644, 642, 40/312; D3/35; 206/461, 312; 229/72; 383/39; D19/33, 20, 27, 10, 3; D20/42

## [56] References Cited

### U.S. PATENT DOCUMENTS

D. 262,040	11/1987	Wihlke .....	D19/33
D. 271,985	12/1983	Belser .....	D19/10
D. 312,656	12/1990	Huber .....	D19/3
D. 325,817	8/1992	Call .....	D3/35
2,257,955	10/1941	Herman .....	206/461
2,610,421	9/1952	Horn .....	40/537 X
4,388,958	6/1983	Dworkin .....	229/72

## OTHER PUBLICATIONS

*Century Vinyl* p. 33 Sep. 1990. Pocketed folder file #VH 4600-00.

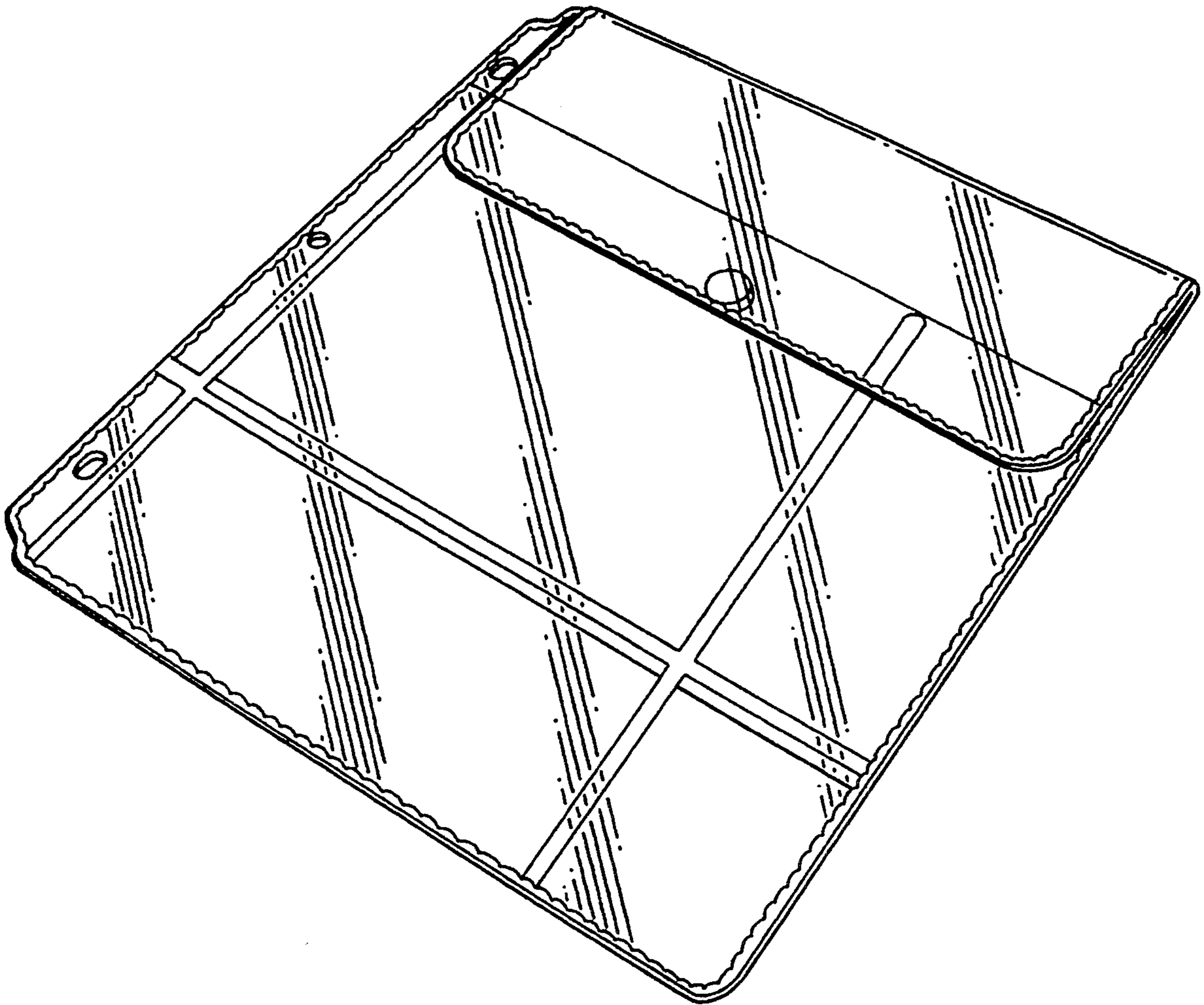
*Primary Examiner*—Wallace R. Burke  
*Assistant Examiner*—Pamela Burgess  
*Attorney, Agent, or Firm*—Dean P. Edmundson

## [57] CLAIM

The ornamental design for a carrier for ring binders, as shown and described.

## DESCRIPTION

FIG. 1 is a front perspective view of a carrier for ring binders, showing our new design; FIG. 2 is a front elevational view; FIG. 3 is a rear elevational view; FIG. 4 is an enlarged scale left side elevational view thereof; FIG. 5 is an enlarged scale right side elevational view thereof; FIG. 6 is an enlarged scale top plan view thereof; and, FIG. 7 is an enlarged scale bottom plan view thereof.



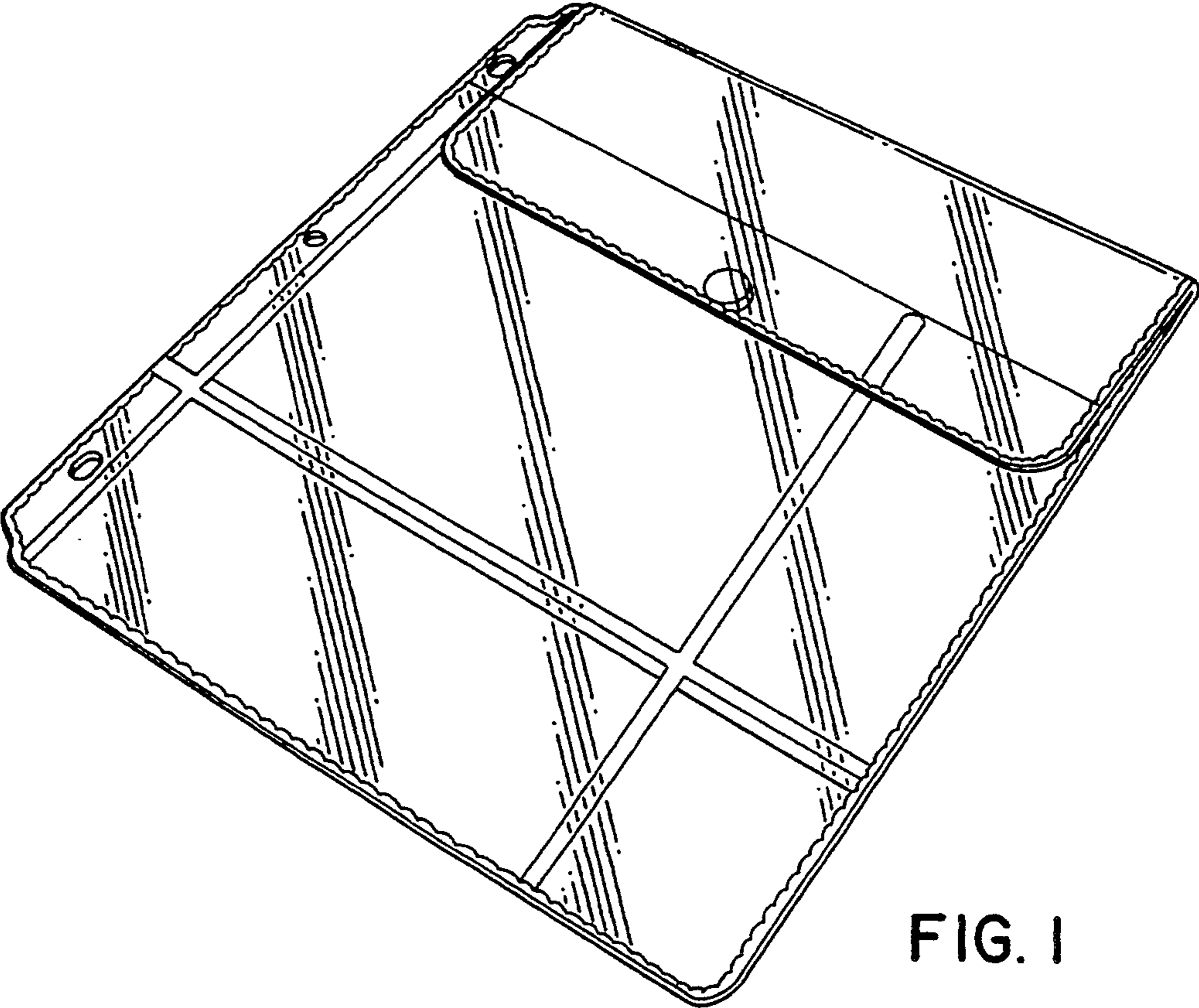


FIG. 1

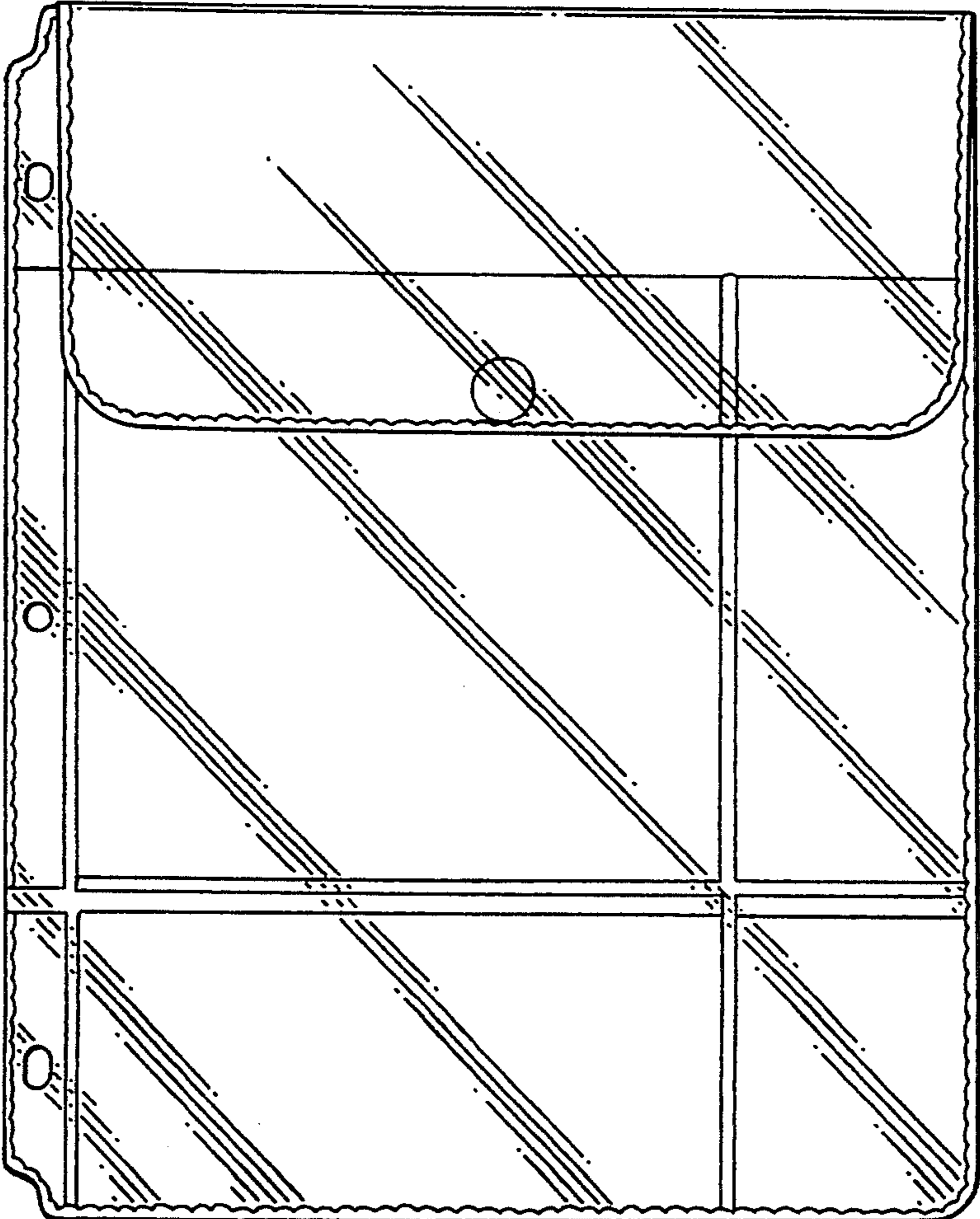


FIG. 2

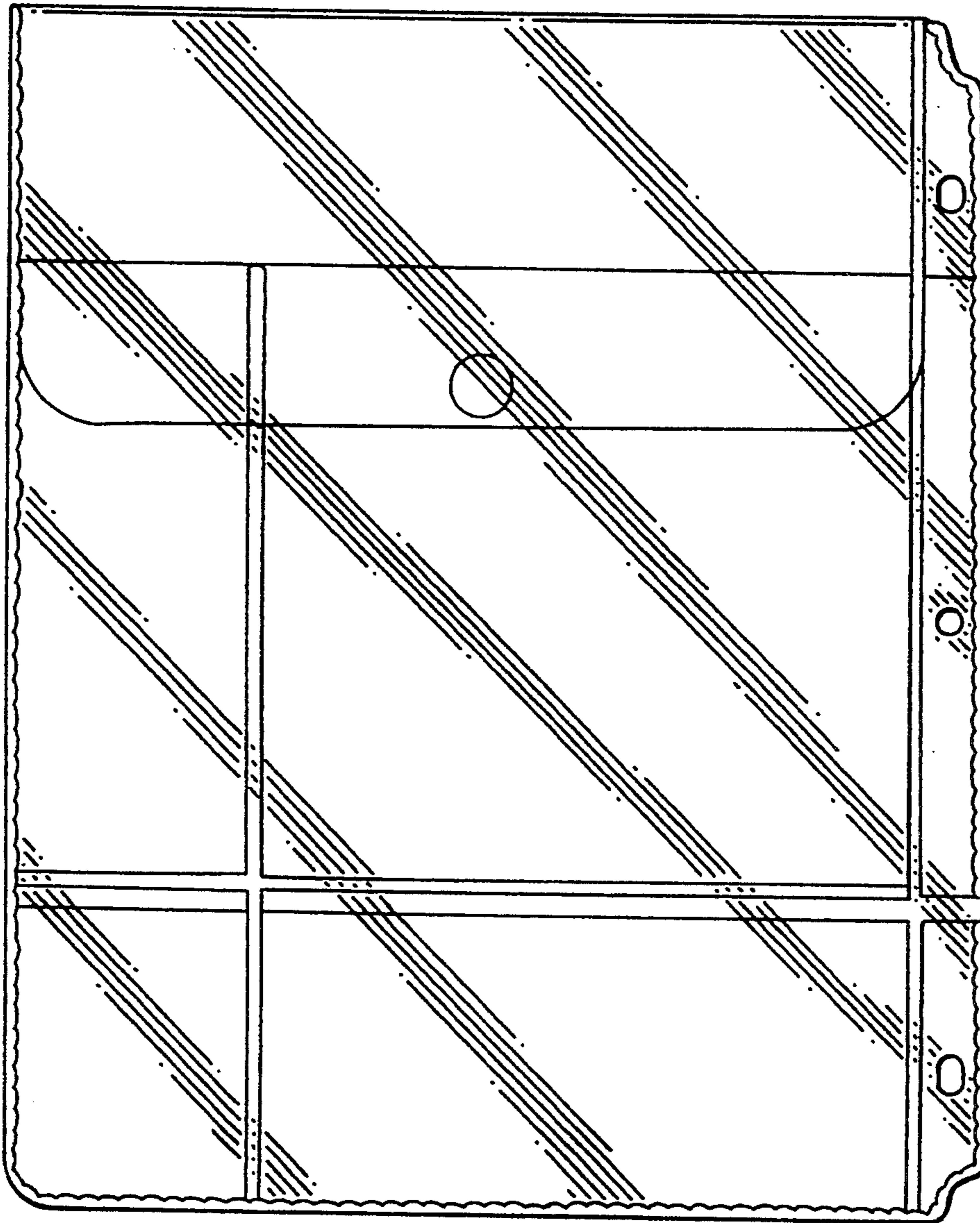


FIG. 3



FIG. 4



FIG. 5

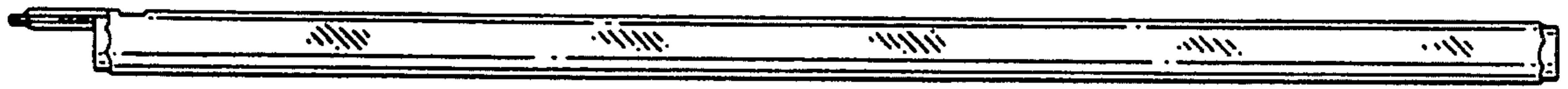


FIG. 6



FIG. 7