



US00D352731S

# United States Patent [19]

[11] Patent Number: **Des. 352,731**

Sugimoto

[45] Date of Patent: **\*\* Nov. 22, 1994**

[54] **PRINTER FOR ELECTRONIC COMPUTER**

[75] Inventor: **Isao Sugimoto**, Tokyo, Japan

[73] Assignee: **Citizen Watch Co., Ltd.**, Tokyo, Japan

[\*\*] Term: **14 Years**

[21] Appl. No.: **9,370**

[22] Filed: **Jun. 11, 1993**

[30] **Foreign Application Priority Data**

Mar. 9, 1993 [JP] Japan ..... 5-6524

[52] U.S. Cl. .... **D18/50; D18/54**

[58] Field of Search ..... 400/691-694,  
400/690.1-690.4, 613, 613.1-613.4; D18/50,  
54-55

[56] **References Cited**

**U.S. PATENT DOCUMENTS**

- D. 287,140 12/1986 Yoshida ..... D18/55
- D. 293,578 1/1988 Matsumoto ..... D18/55
- D. 304,598 11/1989 Jokl ..... D18/55
- D. 322,277 12/1991 Clary et al. .... D18/50
- D. 339,372 9/1993 Kando ..... D18/50

**FOREIGN PATENT DOCUMENTS**

67870 1/1991 Canada ..... D18/D18 55

**OTHER PUBLICATIONS**

Byte Magazine; Jul. 1984; inside back cover-NEC Information Sys; Inc. advertisement for Pinwriter Dot Matrix Printer.

PC Magazine; Jul. 1989; p. 53; Toshiba Axonix Lite Write impact dot matrix printer advertisement.

Citizen Notebook Printer PN48 sales brochure, Citizen, Tokyo, Japan; Sep. 1991.

Citizen Notebook printer CT-11 sales brochure, Citizen, Tokyo, Japan; May 1991.

Toshiba DynaPrinter J31DPR01 sales brochure, Mar. 1991.

Hitachi With Me BP-20 sales brochure, May 1991.

*Primary Examiner*—Cathy Anne MacCormac

*Attorney, Agent, or Firm*—Cushman, Darby & Cushman

[57] **CLAIM**

The ornamental design for a printer for electronic computer, as shown and described.

**DESCRIPTION**

FIG. 1 is a top, front and left side perspective view of a printer for electronic computer showing my new design;

FIG. 2 is a top, rear and right side perspective view thereof;

FIG. 3 is a front elevational view thereof;

FIG. 4 is a rear elevational view thereof;

FIG. 5 is a top plan view thereof;

FIG. 6 is a bottom plan view thereof;

FIG. 7 is a right side elevational view thereof;

FIG. 8 is a bottom, front and right side perspective view thereof;

FIG. 9 is a bottom, rear and left side perspective view thereof;

FIG. 10 is a top, front and right side perspective view thereof, showing paper feeder in opened and extruded position; and,

FIG. 11 is a top and left side perspective view thereof showing paper feeder in opened and extruded position.

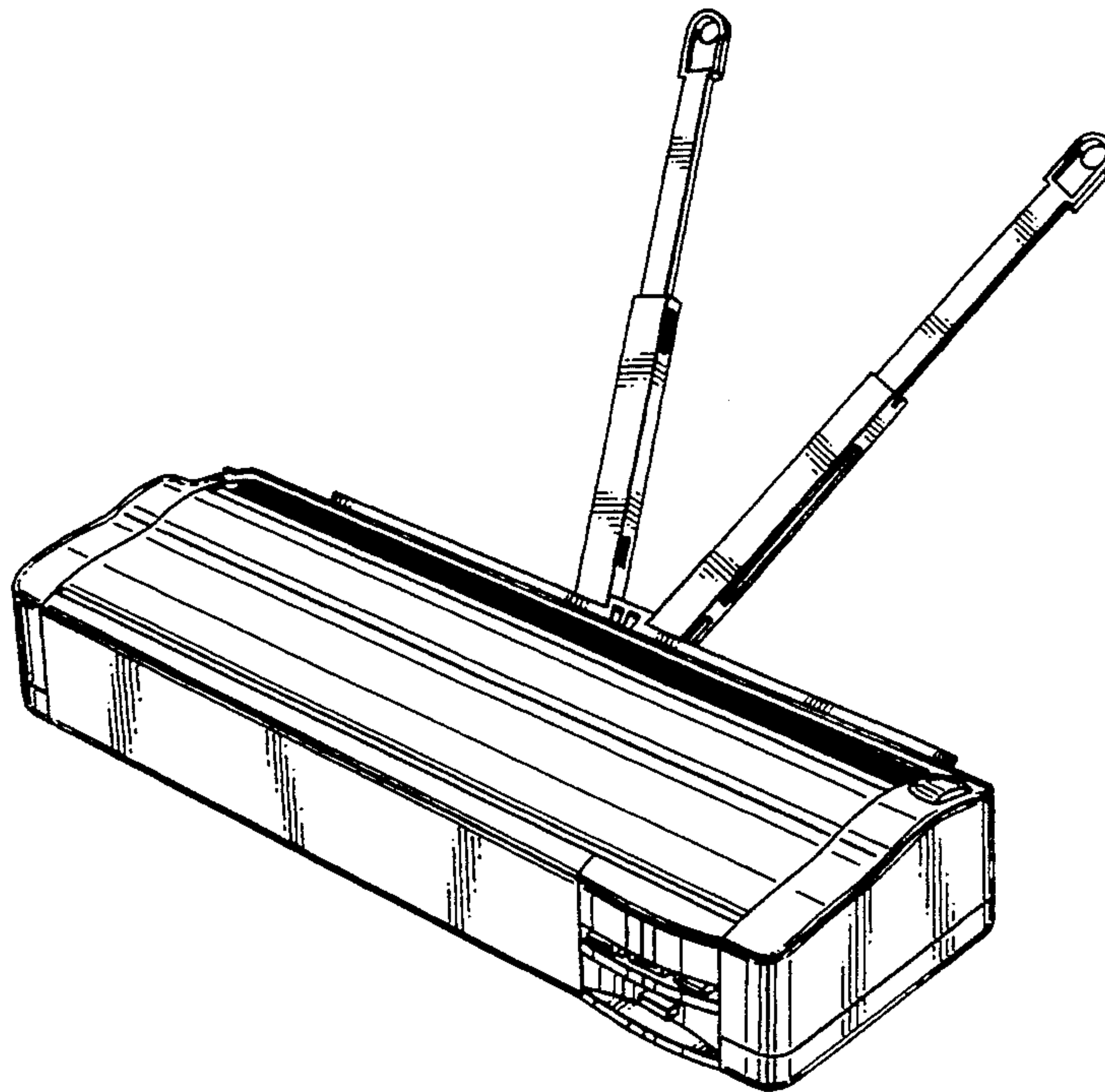


FIG. 1

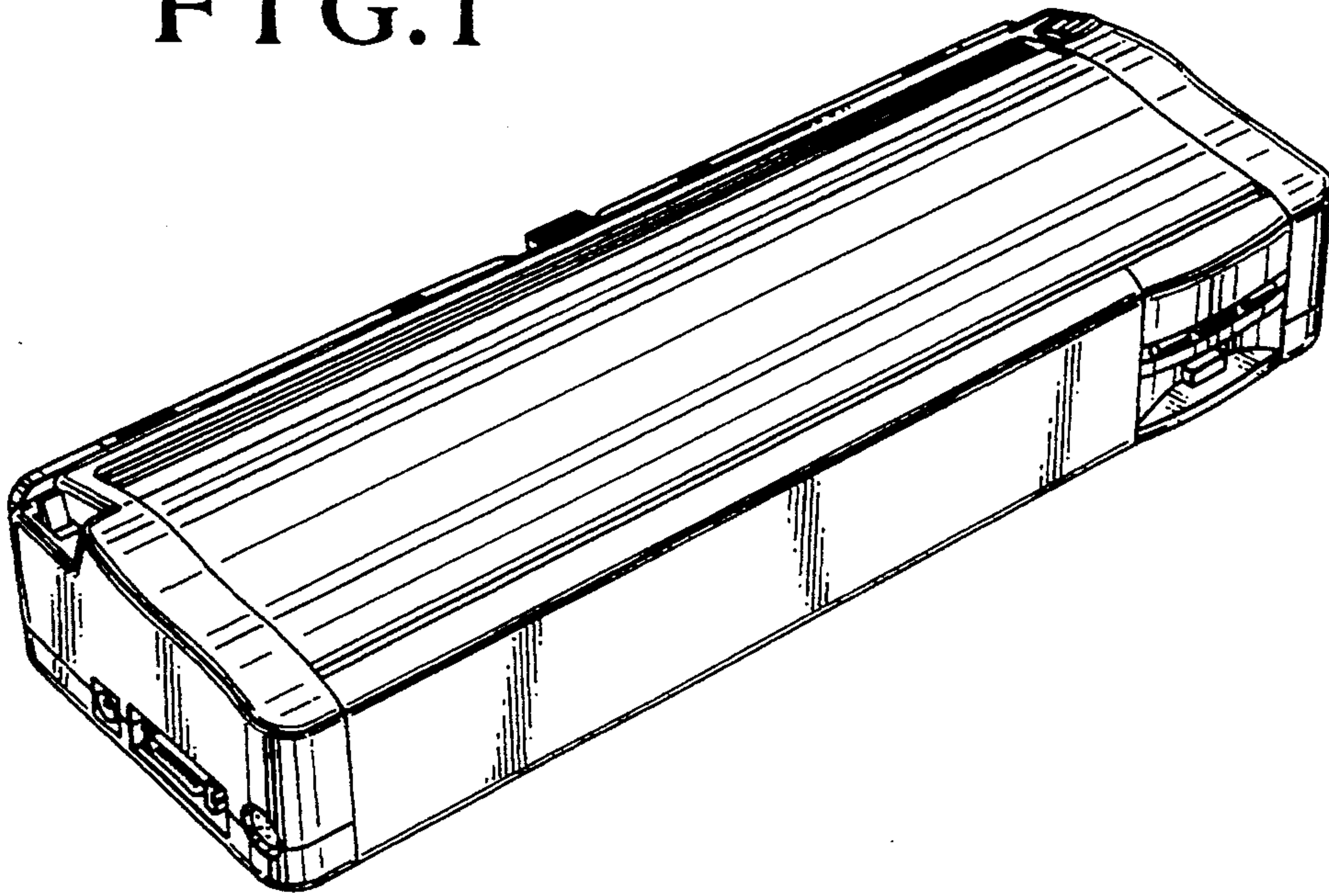


FIG. 2

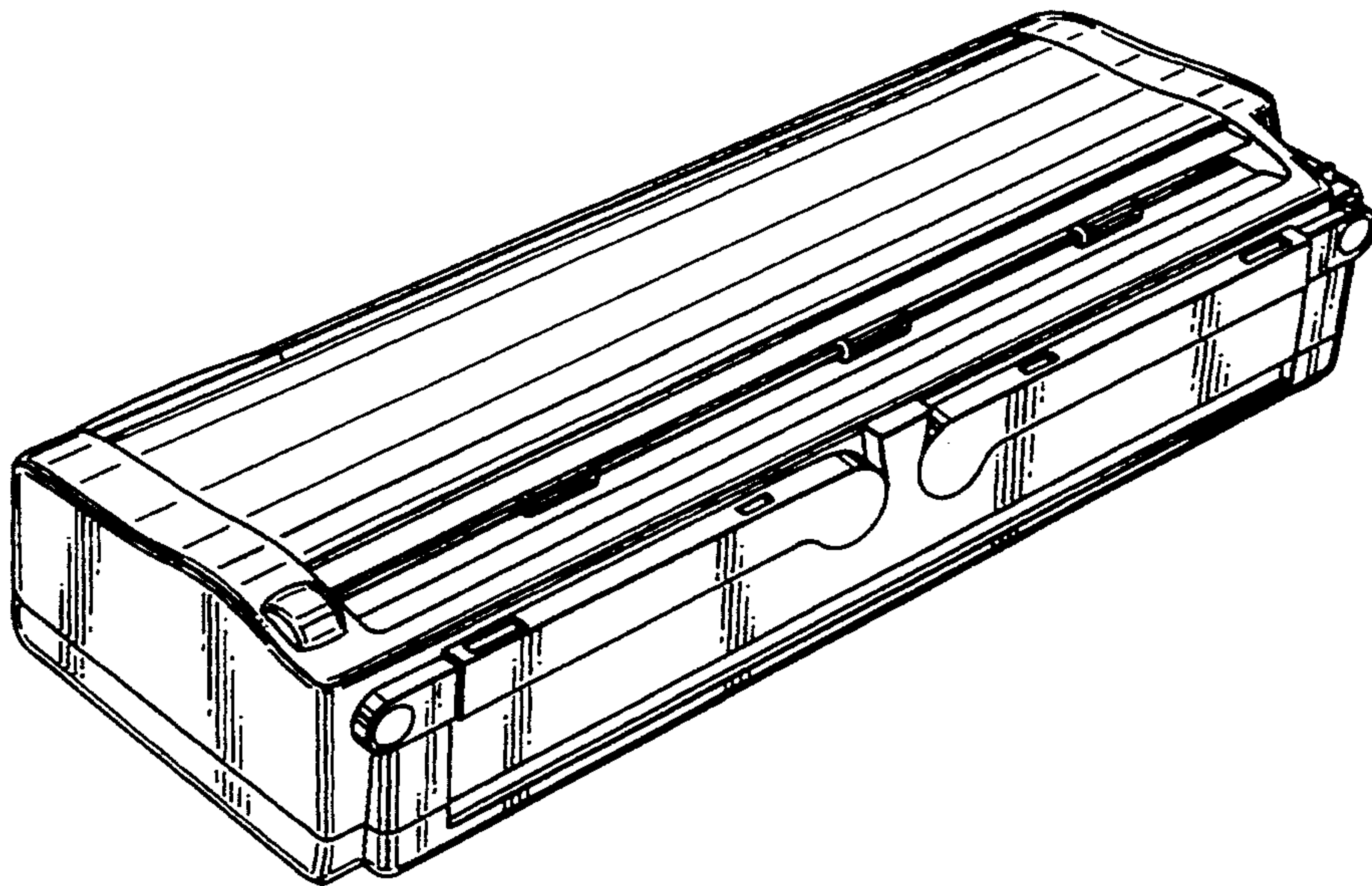




FIG.3

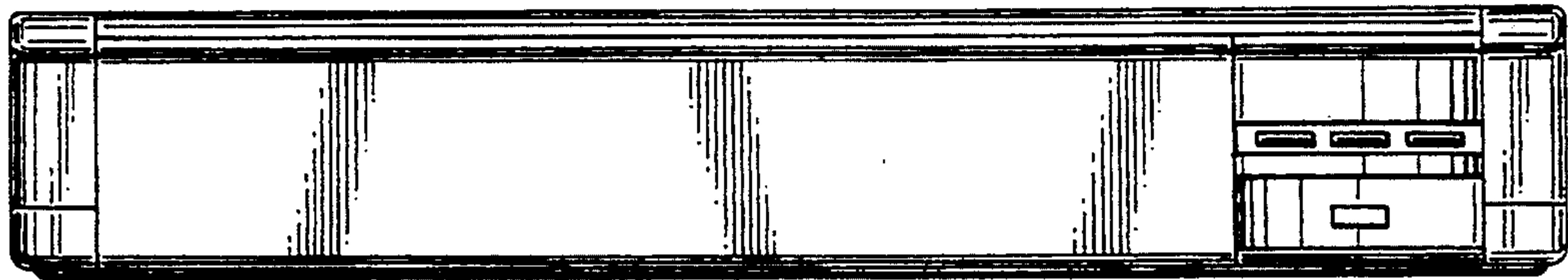


FIG.4

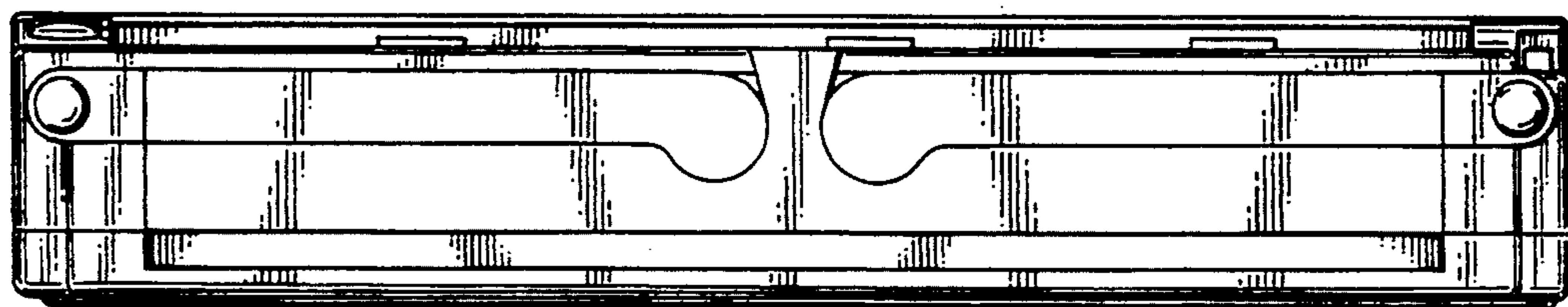


FIG.5

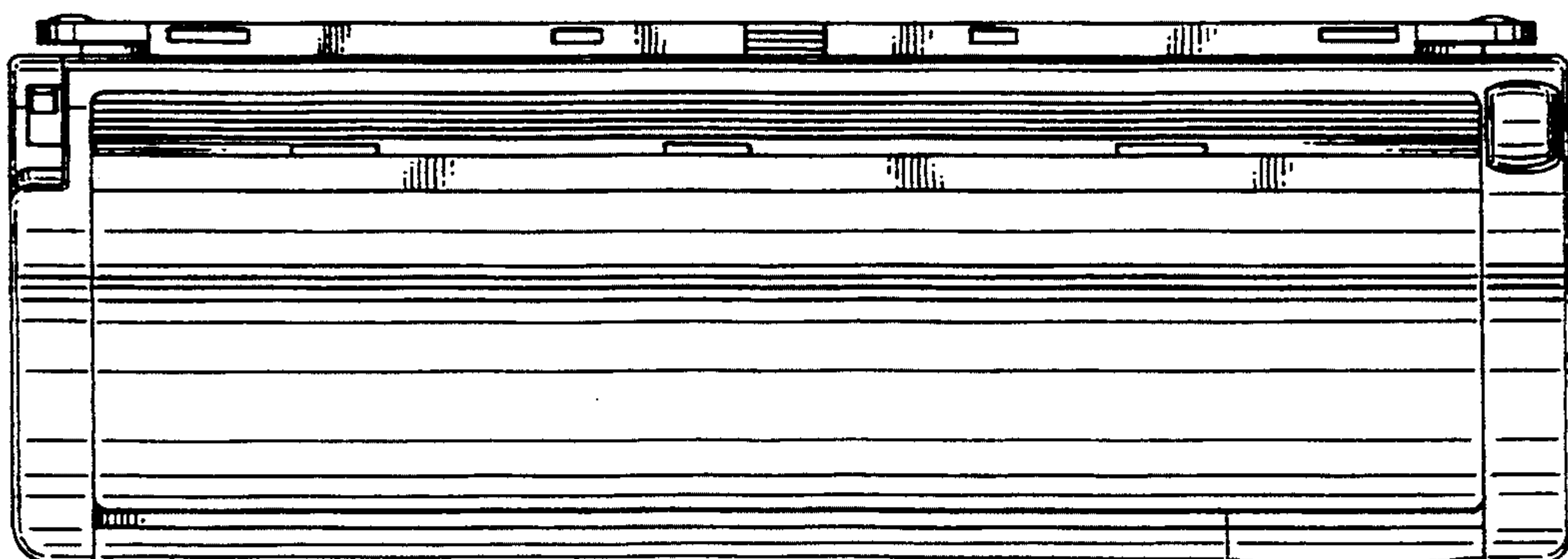


FIG.6

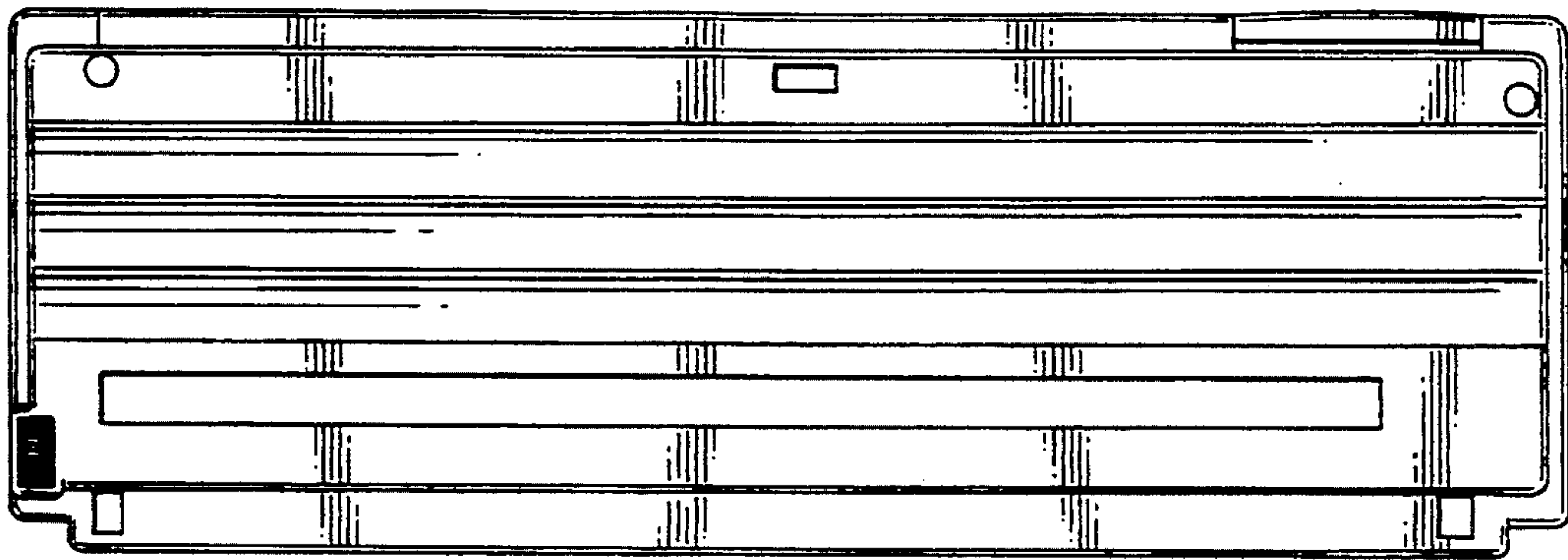


FIG.7

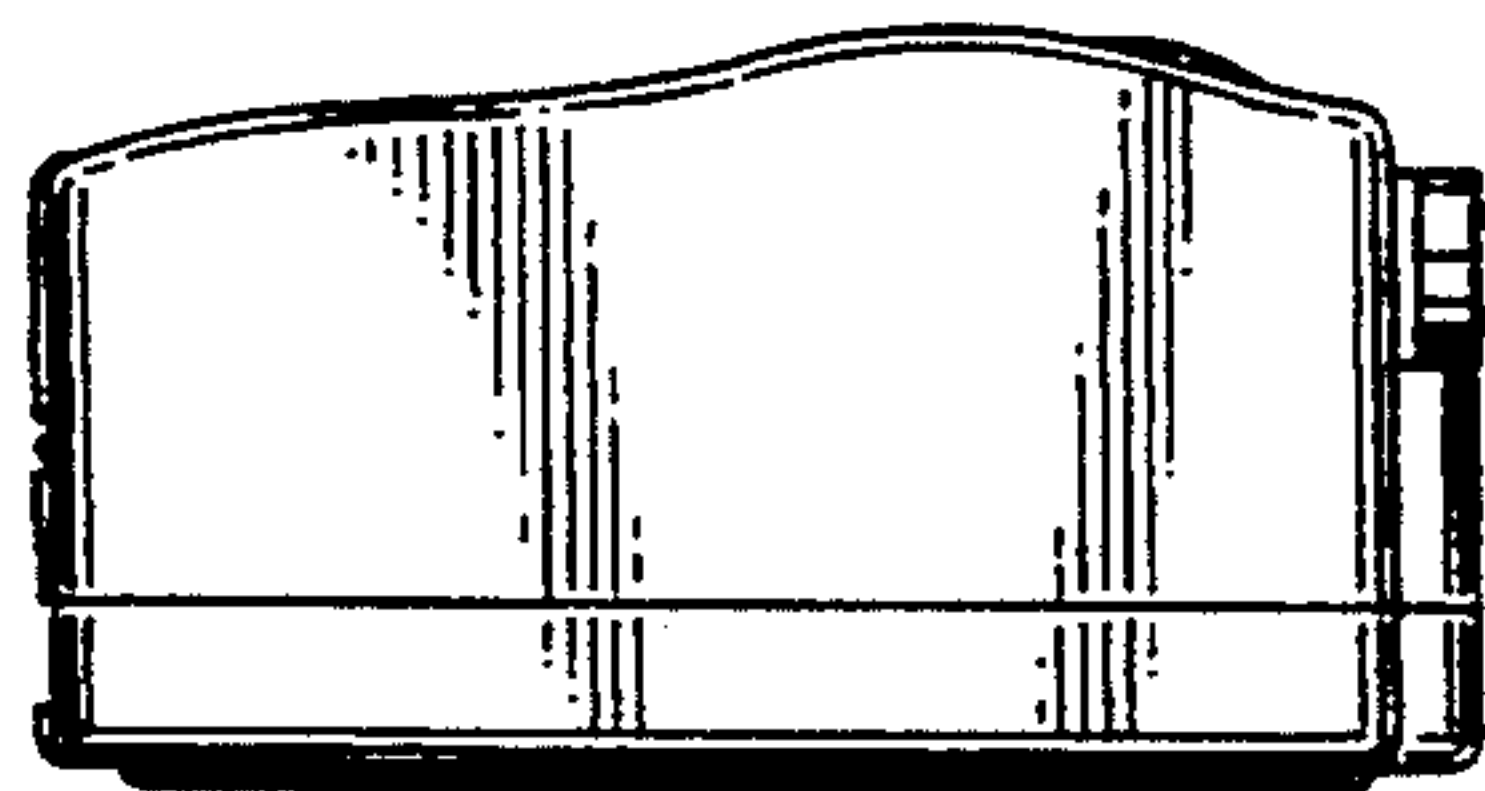


FIG.8

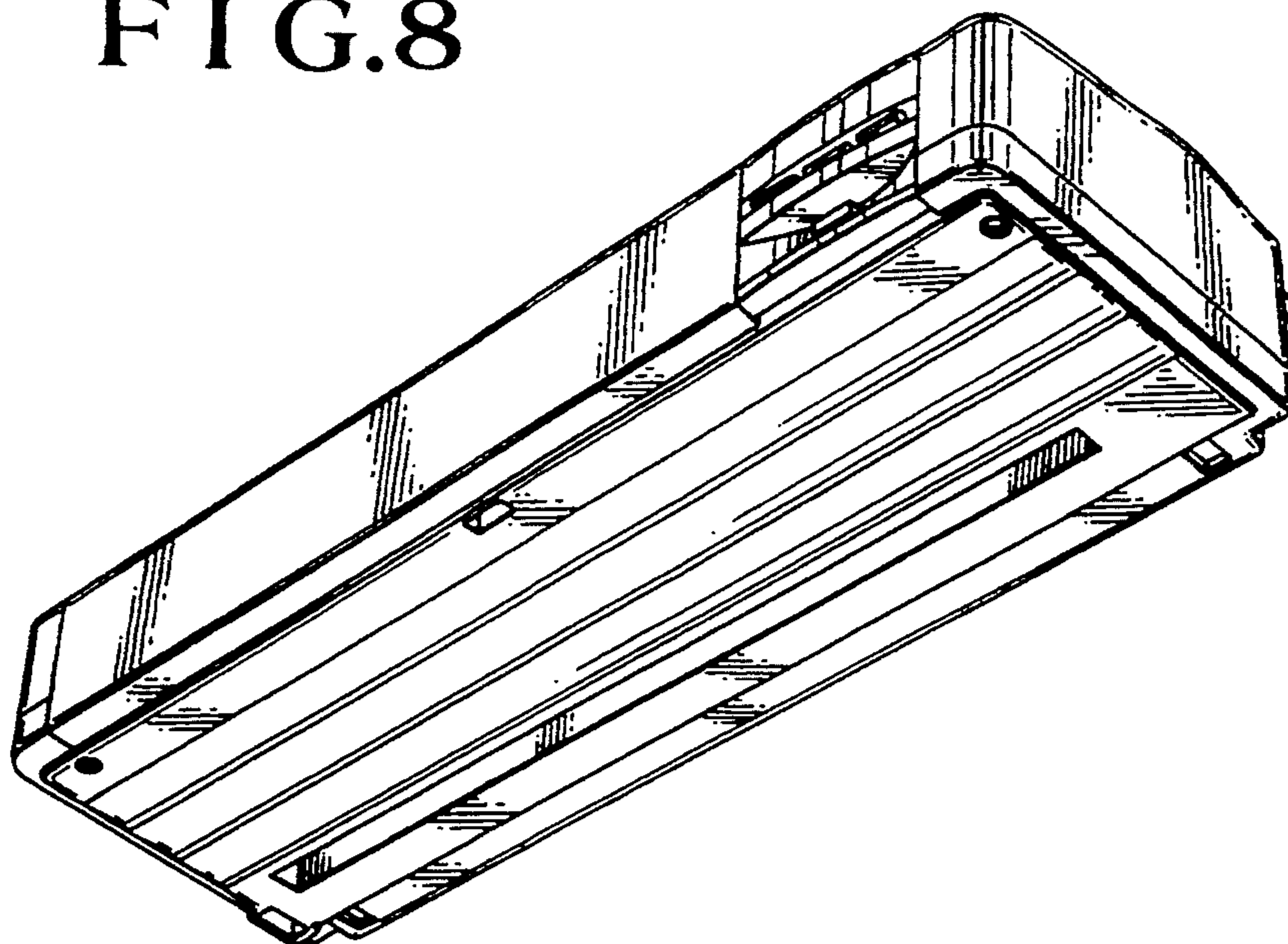


FIG.9

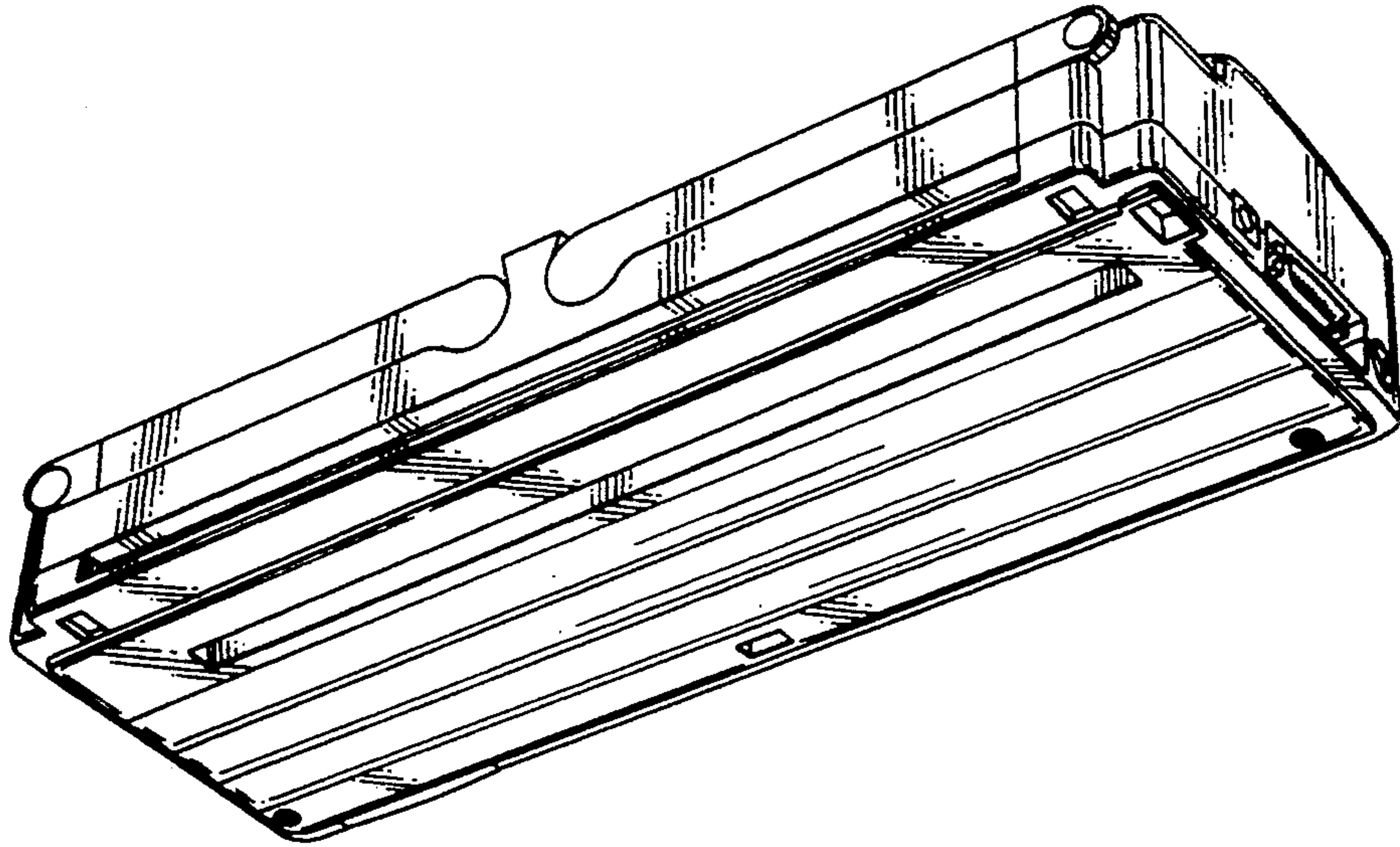


FIG.10

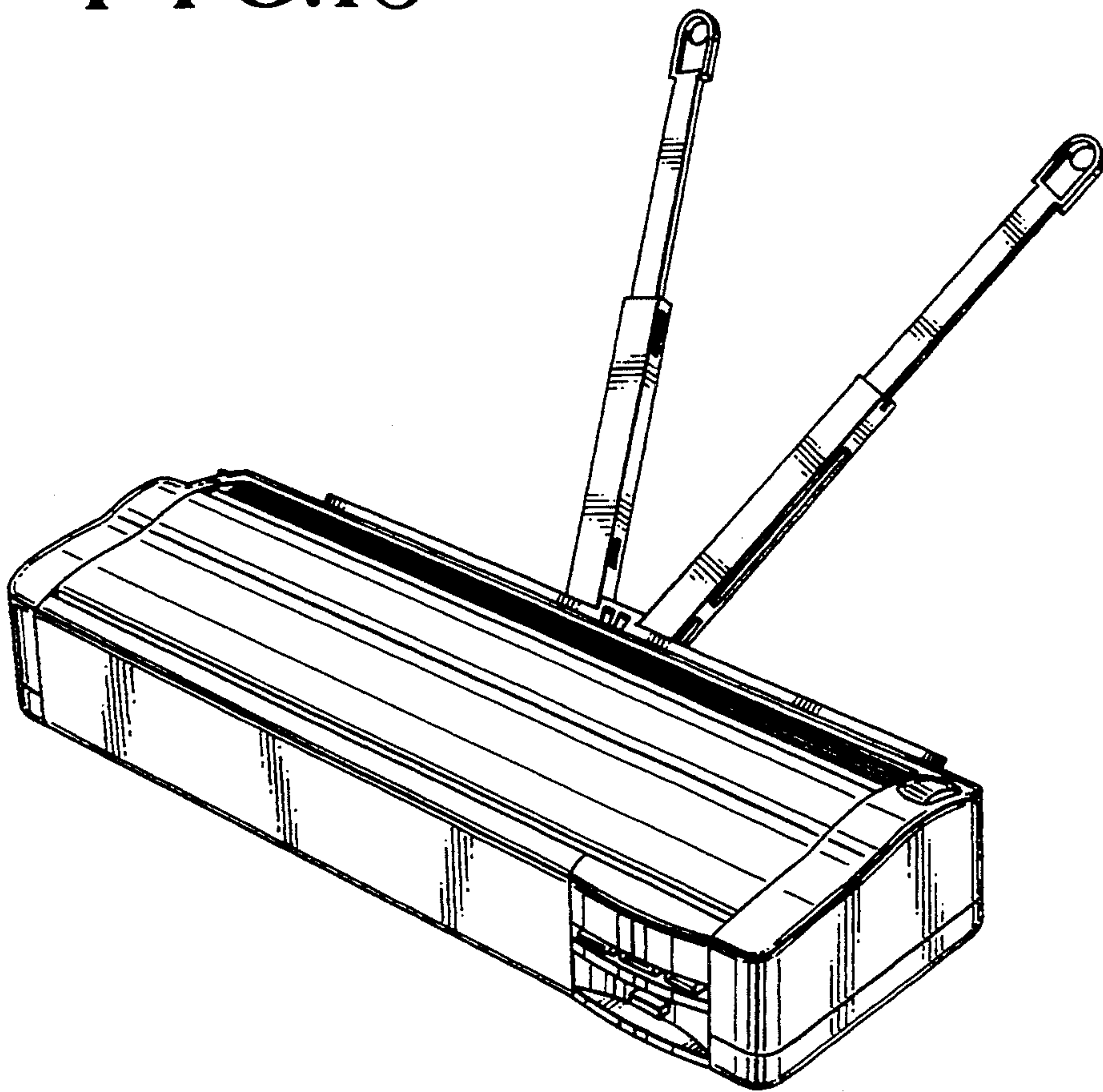


FIG. 11

