



US00D352729S

United States Patent [19]

[11] Patent Number: **Des. 352,729**

Tsujimura et al.

[45] Date of Patent: **** Nov. 22, 1994**

[54] **COMBINED MONITOR, VIDEO TAPE RECORDER AND CAMERA**

4,873,576 10/1989 Hattori et al. 348/373

[75] Inventors: **Tetsuya Tsujimura; Hiroshi Ooi**, both of Tochigi, Japan

FOREIGN PATENT DOCUMENTS

51-127978 8/1982 Japan 358/906

[73] Assignee: **Sharp Kabushiki Kaisha**, Osaka, Japan

Primary Examiner—Melvin B. Feifer
Assistant Examiner—Adir Aronovich
Attorney, Agent, or Firm—Nixon & Vanderhye

[**] Term: **14 Years**

[57] CLAIM

[21] Appl. No.: **12,779**

The ornamental design for a combined monitor, video tape recorder and camera, as shown and described.

[22] Filed: **Sep. 10, 1993**

DESCRIPTION

[30] Foreign Application Priority Data

FIG. 1 is a top, front and left side perspective view of a combined monitor, video tape recorder and camera according to our design;

Apr. 14, 1993 [JP] Japan 5-11153

[52] U.S. Cl. **D16/202**

FIG. 2 is a rear perspective view thereof;

[58] Field of Search 348/373-376;

FIG. 3 is a top plan view thereof;

358/906, 909; 354/75, 76; D14/113;

FIG. 4 is a front elevational view thereof;

D16/200-205, 208

FIG. 5 is a right side elevational view thereof;

[56] References Cited

U.S. PATENT DOCUMENTS

D. 328,292 7/1992 Akita et al. D14/113

D. 330,383 10/1992 Uchikawa et al. D16/202

4,303,322 12/1981 Someya 348/375

FIG. 6 is a rear elevational view thereof;

FIG. 7 is a left side elevational view thereof;

FIG. 8 is a bottom view thereof; and,

FIG. 9 is a perspective view with the monitor and video tape recorder section rotated 180° relative to the camera.

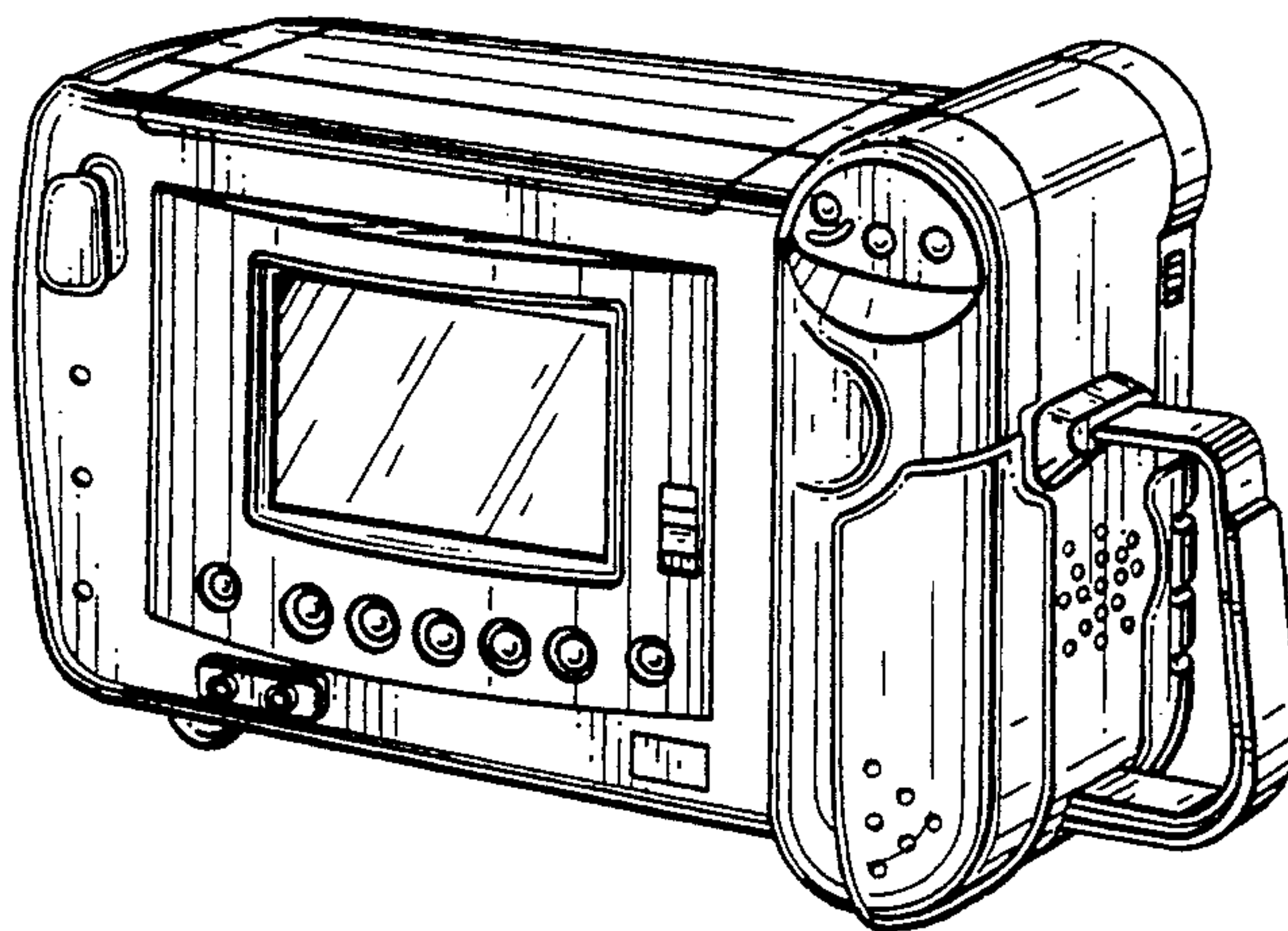
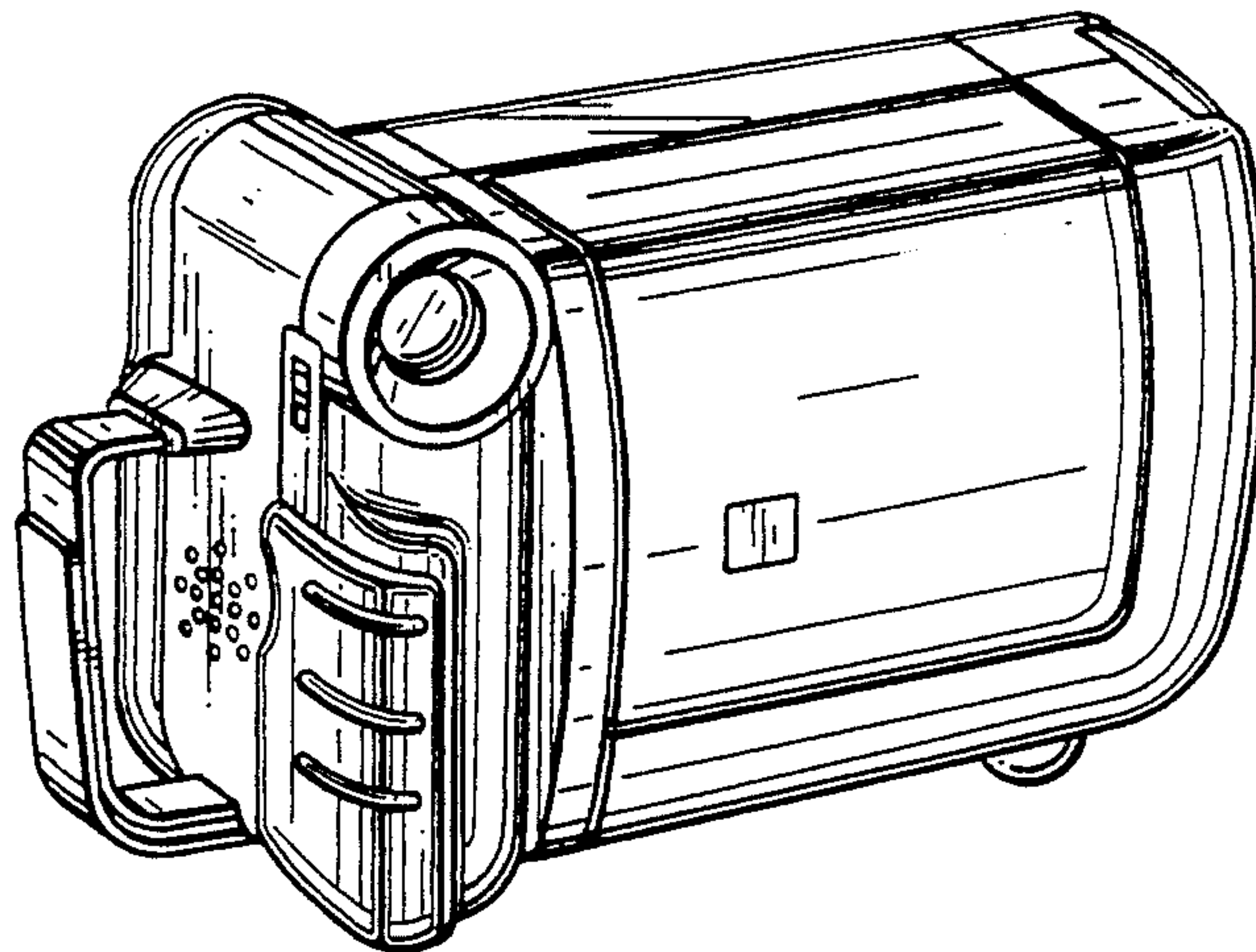


FIG. 1

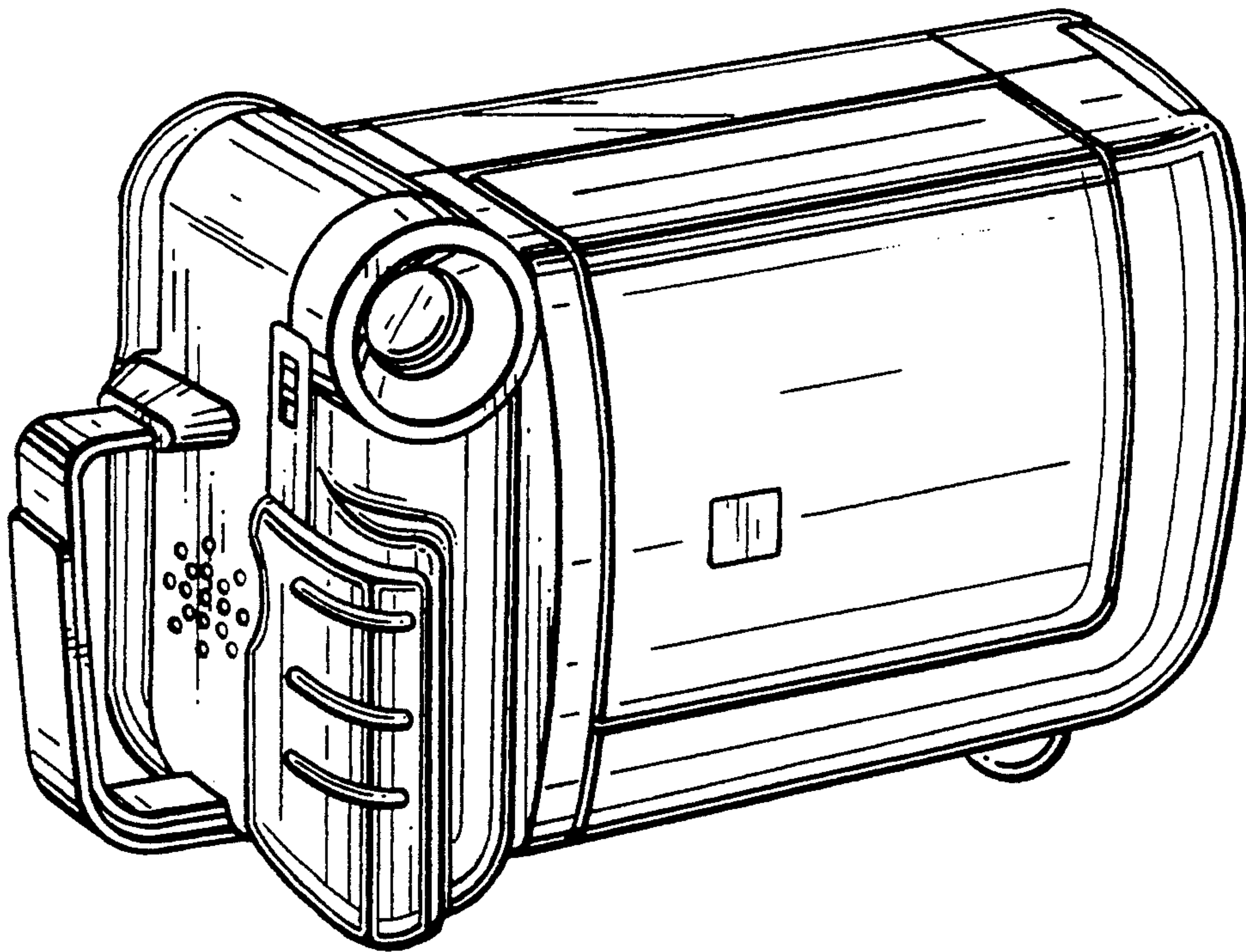


FIG. 2

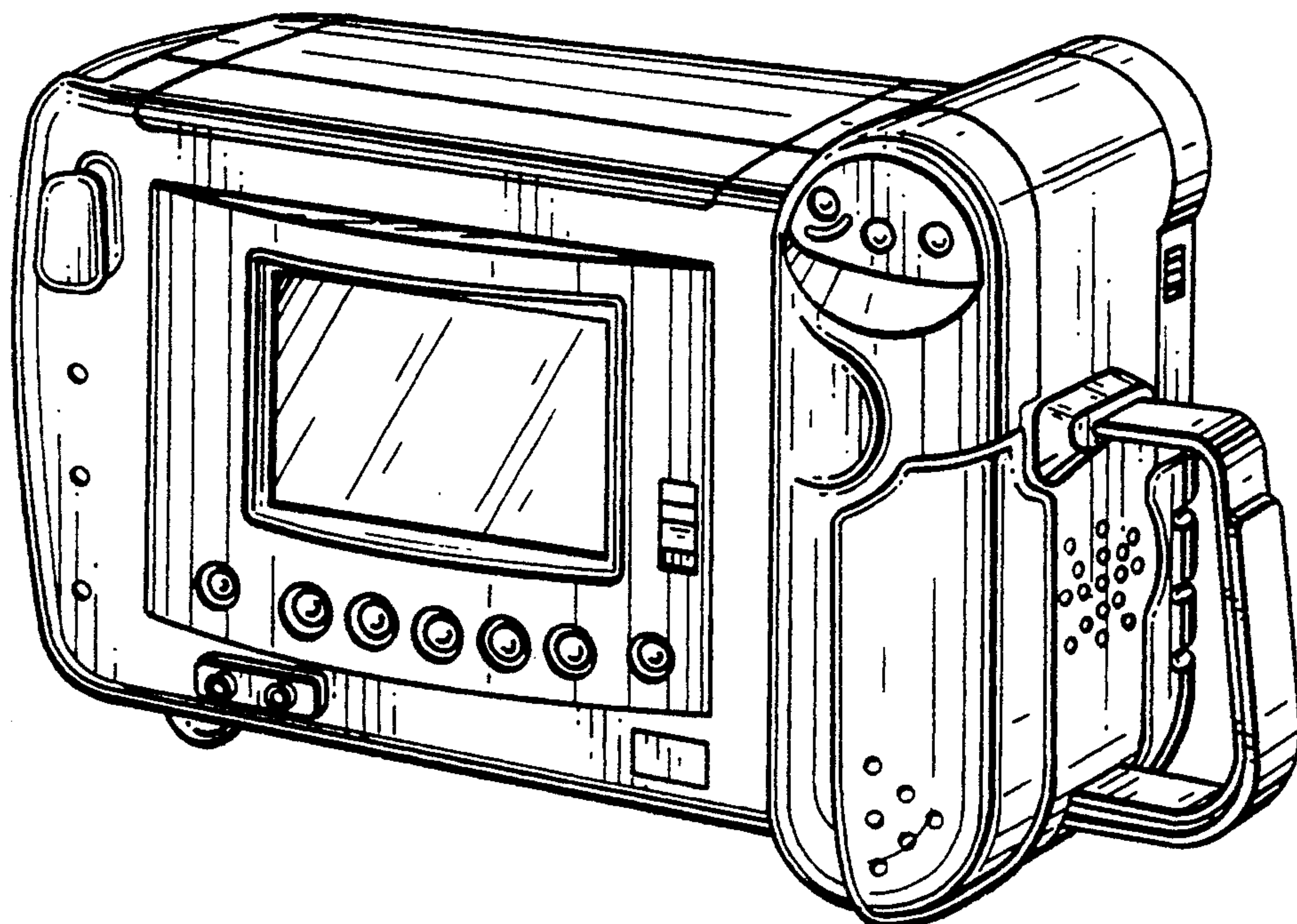


FIG. 3

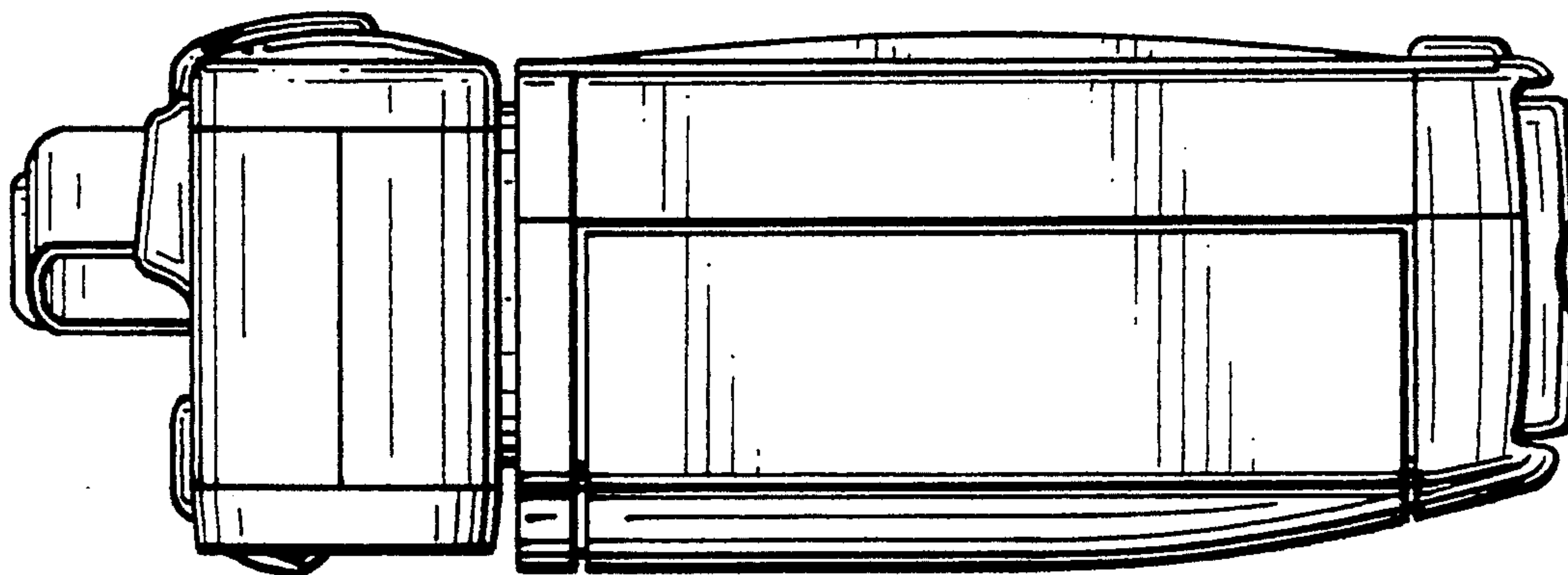
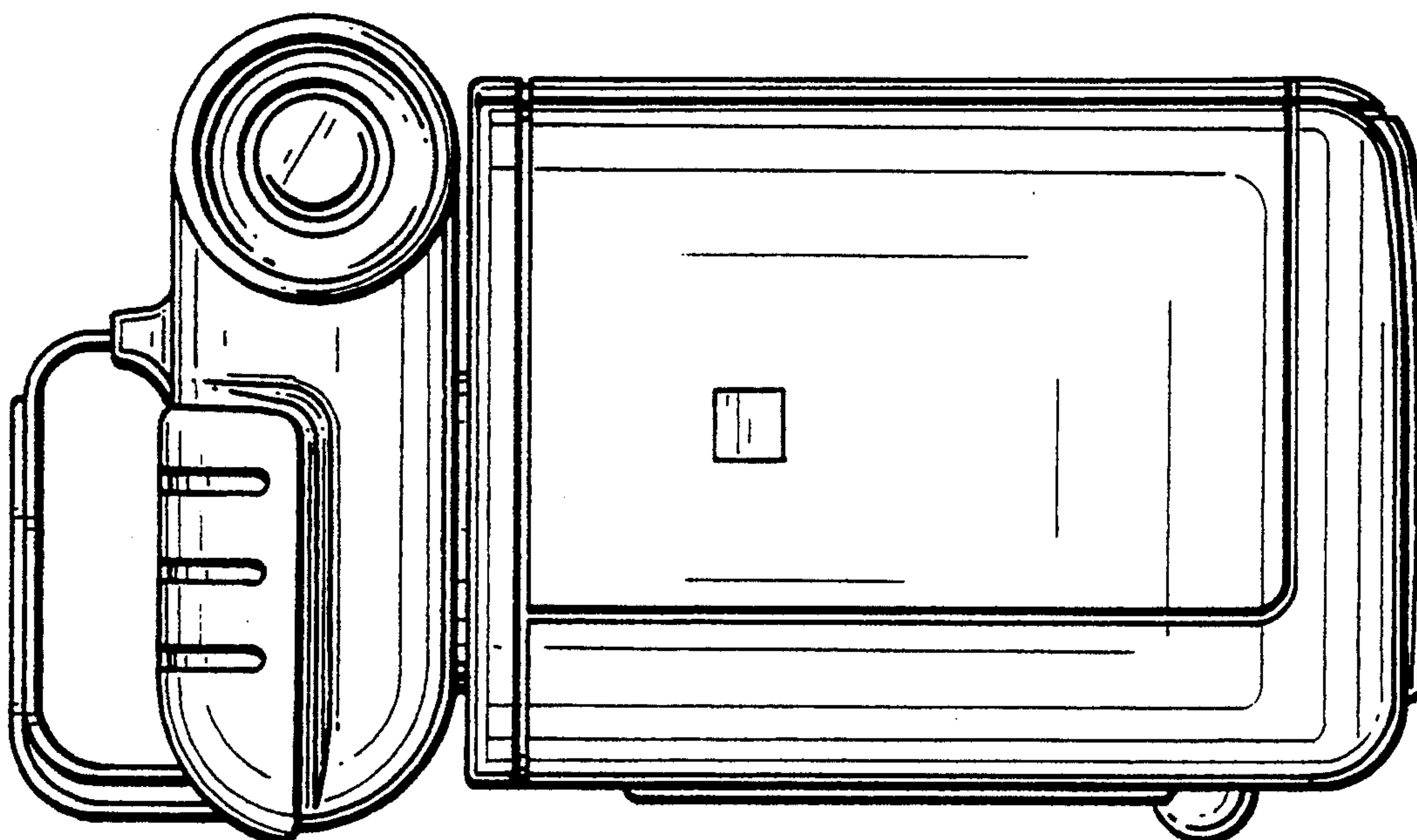


FIG. 4



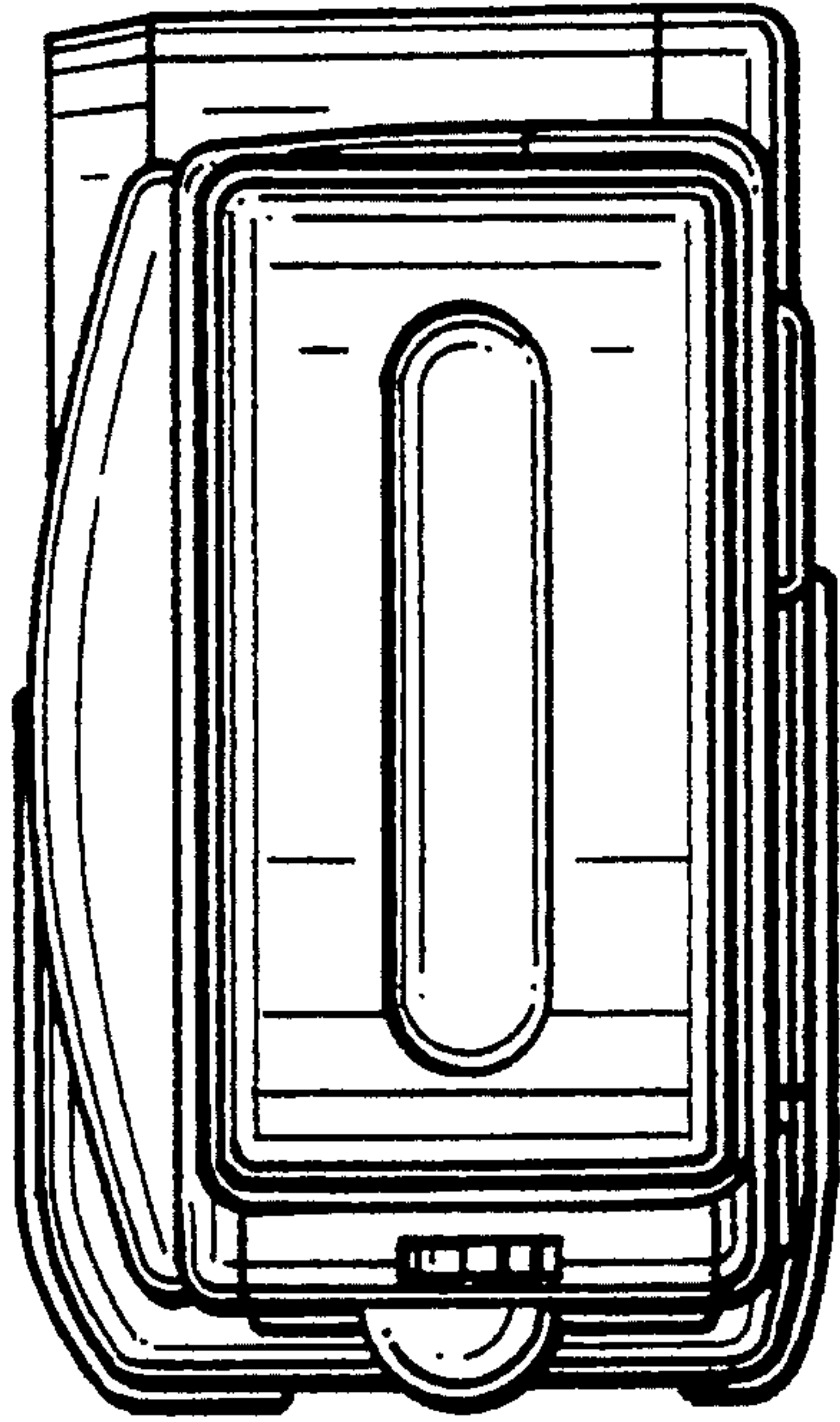
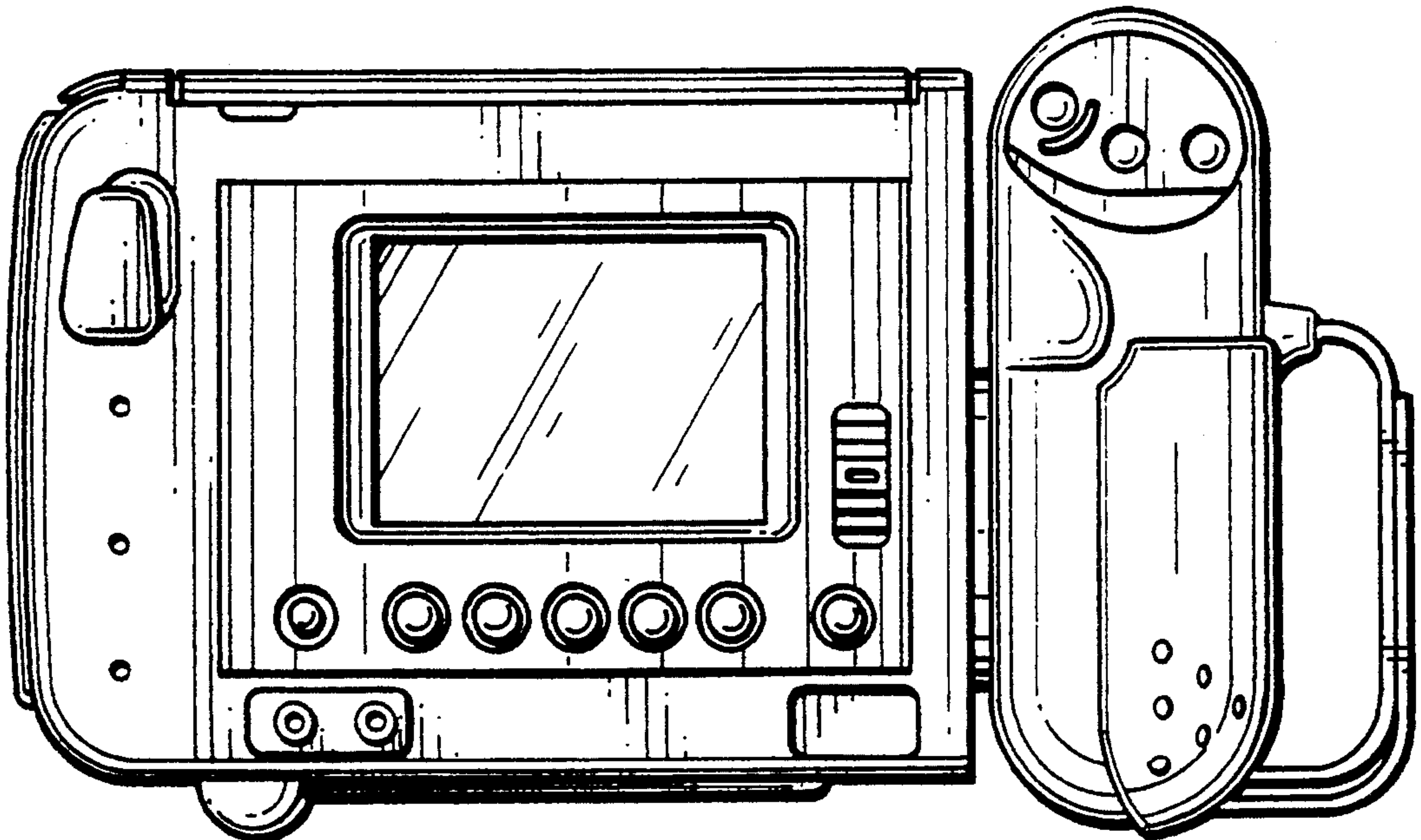


FIG. 5

FIG. 6



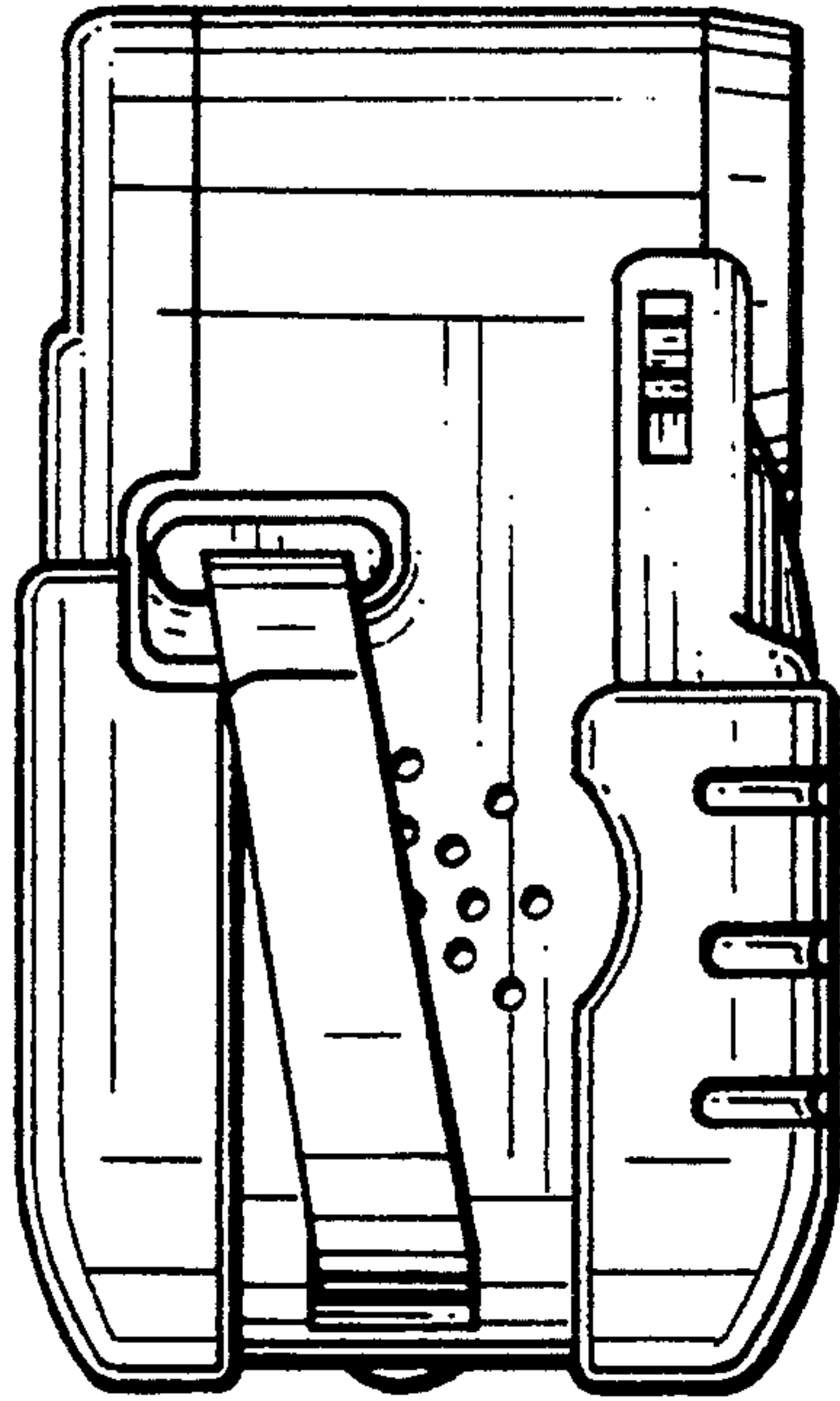


FIG. 7

FIG. 8

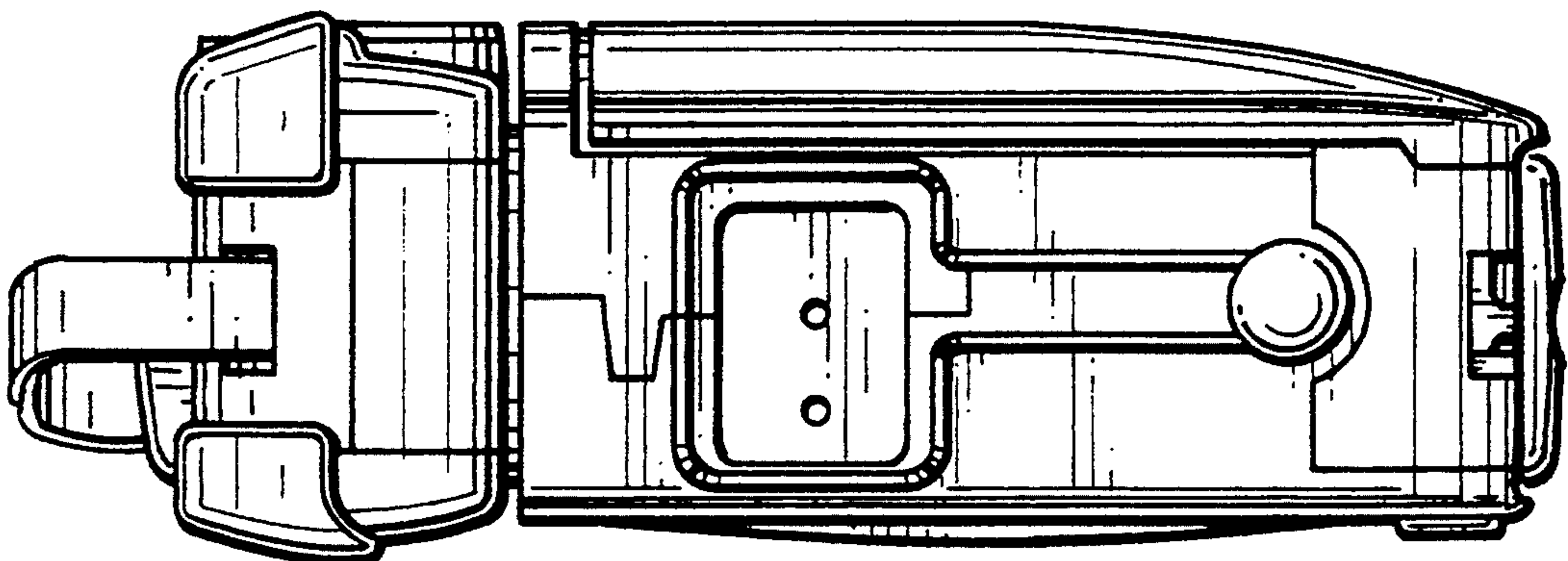


FIG. 9

