



US00D352728S

# United States Patent [19]

Kurokawa et al.

[11] Patent Number: Des. 352,728

[45] Date of Patent: \*\* Nov. 22, 1994

[54] **COMBINED MONITOR, VIDEO TAPE RECORDER AND CAMERA**

[75] Inventors: **Seiji Kurokawa; Hiroshi Ooi**, both of Tochigi, Japan

[73] Assignee: **Sharp Kabushiki Kaisha**, Osaka, Japan

[\*\*] Term: **14 Years**

[21] Appl. No.: **12,778**

[22] Filed: **Sep. 10, 1993**

[30] **Foreign Application Priority Data**

Apr. 13, 1993 [JP] Japan ..... 5-10975

[52] U.S. Cl. .... **D16/202**

[58] Field of Search ..... 348/373-376; 358/906, 909; 354/75, 76; D14/113; D16/200-205, 208

[56] **References Cited**

**U.S. PATENT DOCUMENTS**

D. 328,292 7/1992 Akita et al. .... D14/113

D. 330,383 10/1992 Uchikawa et al. .... D16/202

4,303,322 12/1981 Someya ..... 348/375

4,873,576 10/1989 Hattori et al. .... 348/373

### FOREIGN PATENT DOCUMENTS

57-127978 8/1982 Japan ..... 358/906

### OTHER PUBLICATIONS

Video Review, Aug. 1989 p. 28 (JVS's Camera with LCD Screen).

*Primary Examiner*—Melvin B. Feifer  
*Assistant Examiner*—Adir Aronovich  
*Attorney, Agent, or Firm*—Nixon & Vanderhye

### [57] CLAIM

The ornamental design for a combined monitor, video tape recorder and camera, as shown and described.

### DESCRIPTION

FIG. 1 is a top, front and left side perspective view of a combined monitor, video tape recorder and camera according to our design;

FIG. 2 is a rear perspective view thereof;

FIG. 3 is a top plan view thereof;

FIG. 4 is a front elevational view thereof;

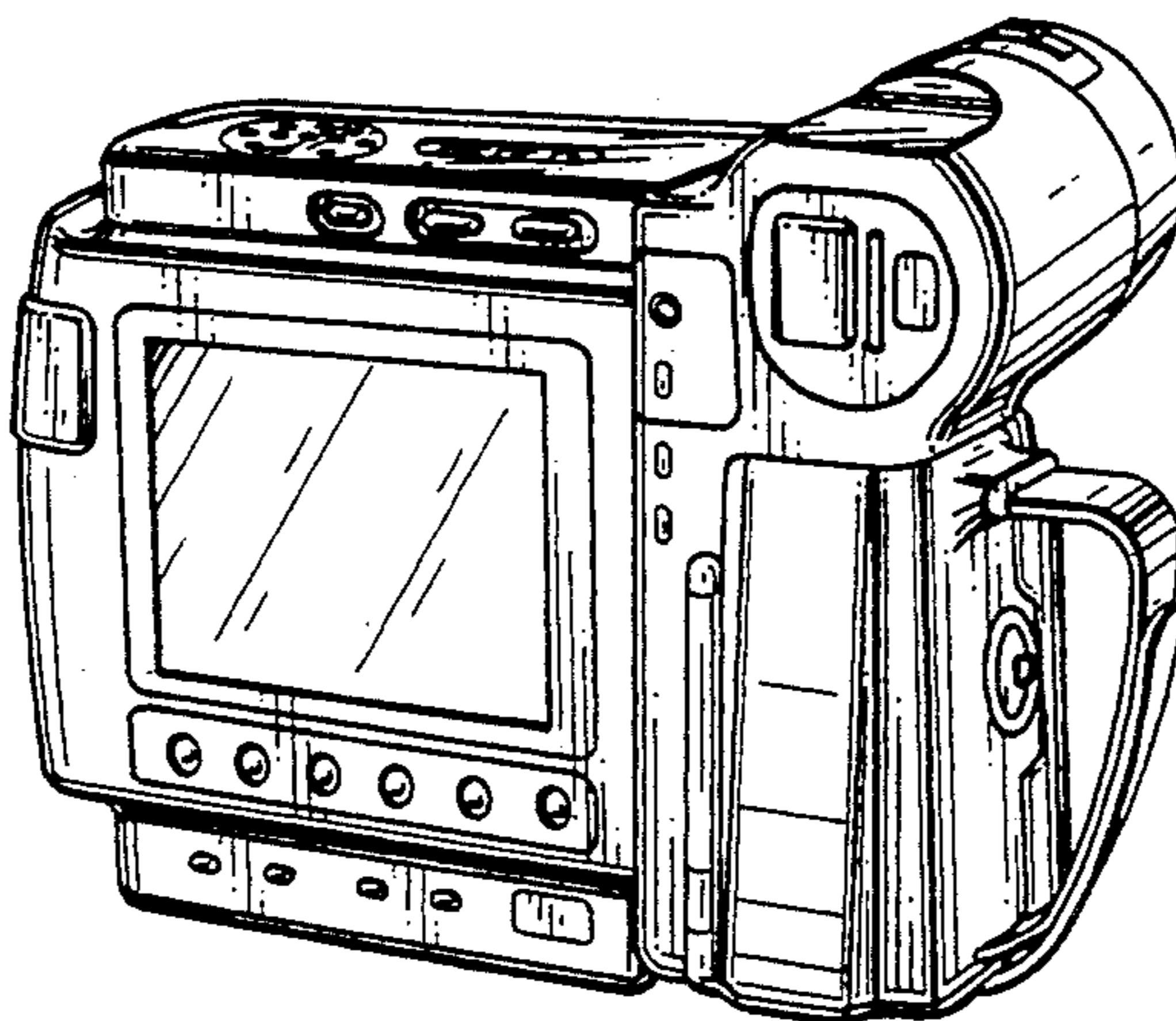
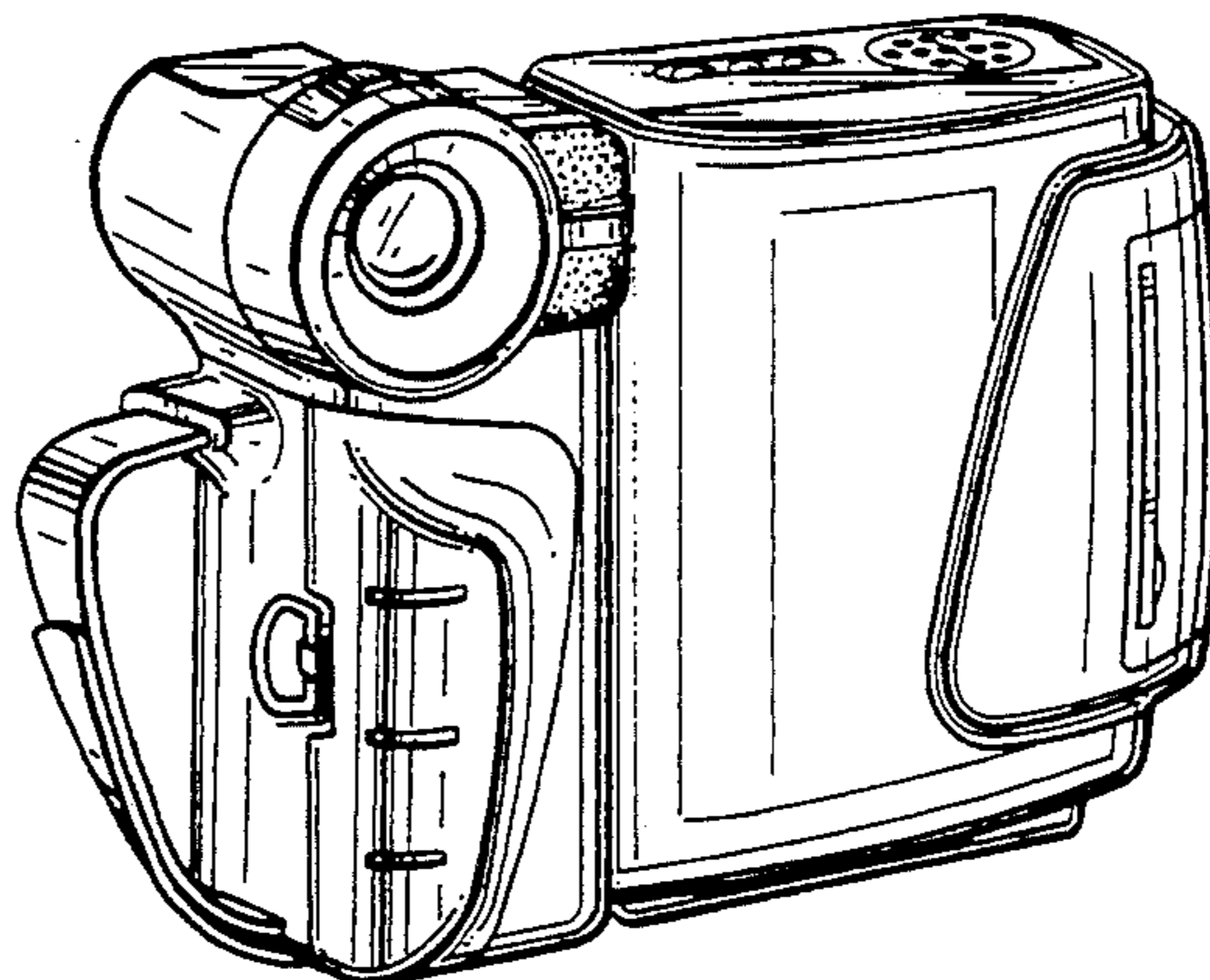
FIG. 5 is a right side elevational view thereof;

FIG. 6 is a rear elevational view thereof;

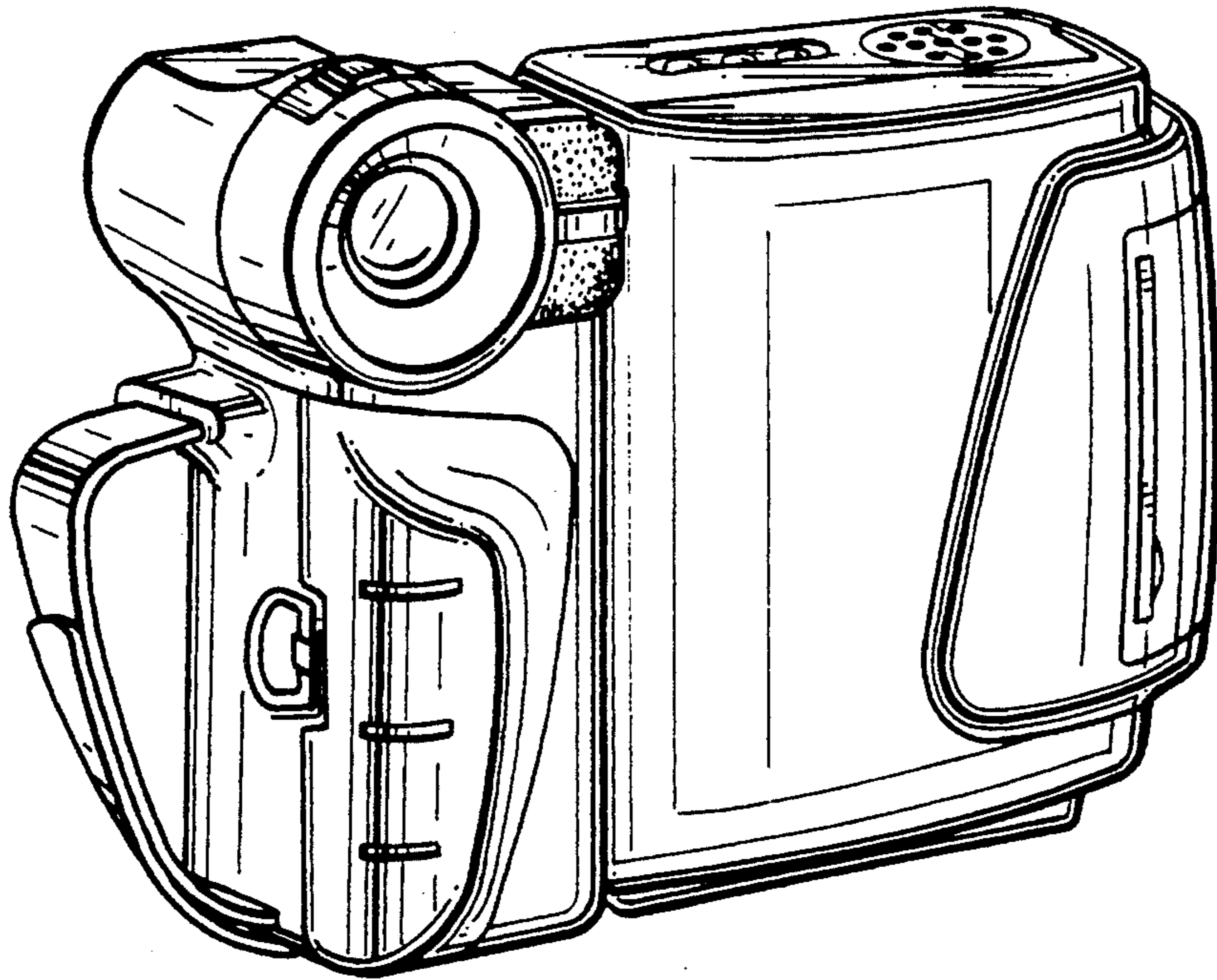
FIG. 7 is a left side elevational view thereof;

FIG. 8 is bottom view thereof; and,

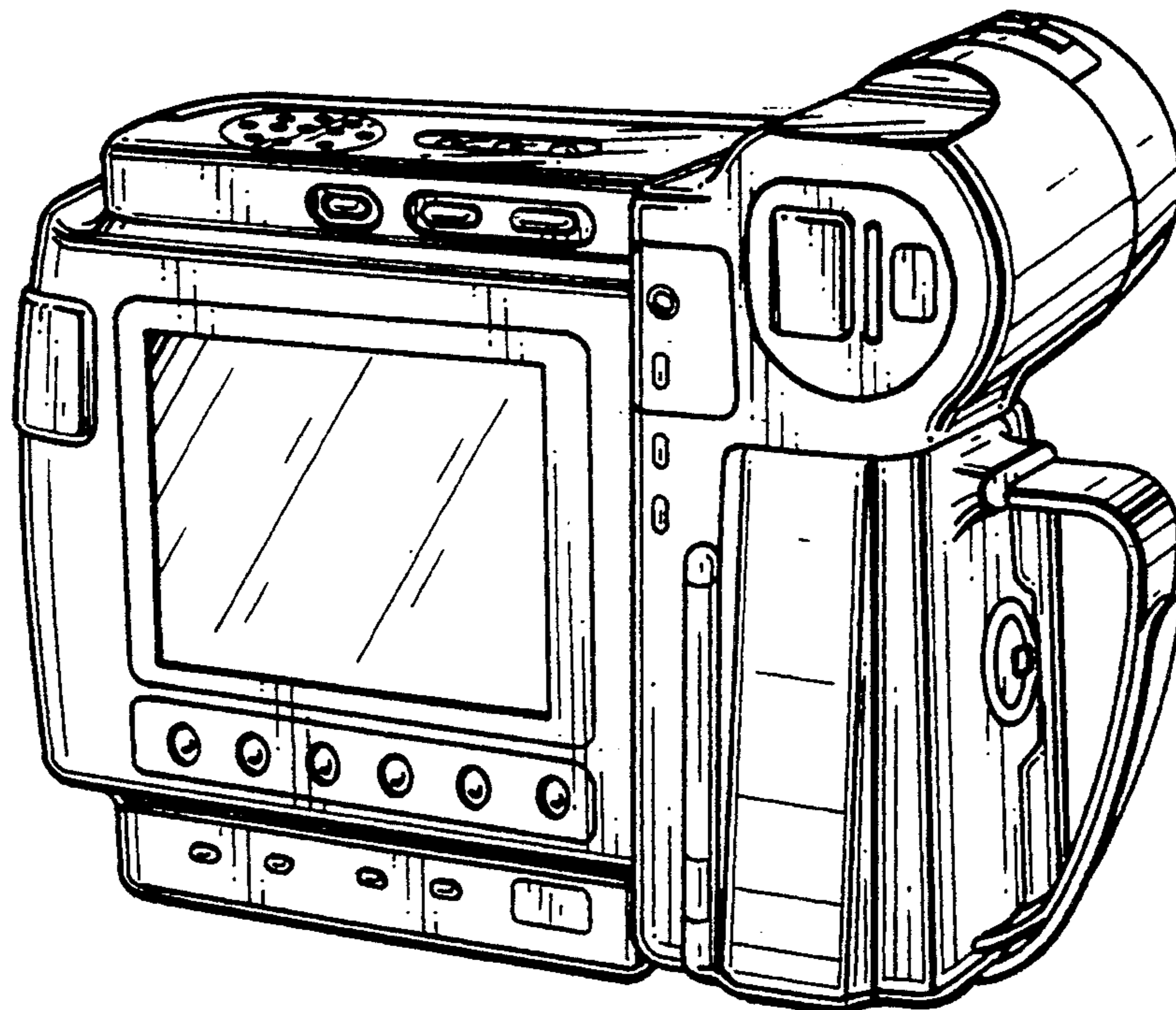
FIG. 9 is a perspective view with the monitor and video tape recorder section rotated 180° relative to the camera.



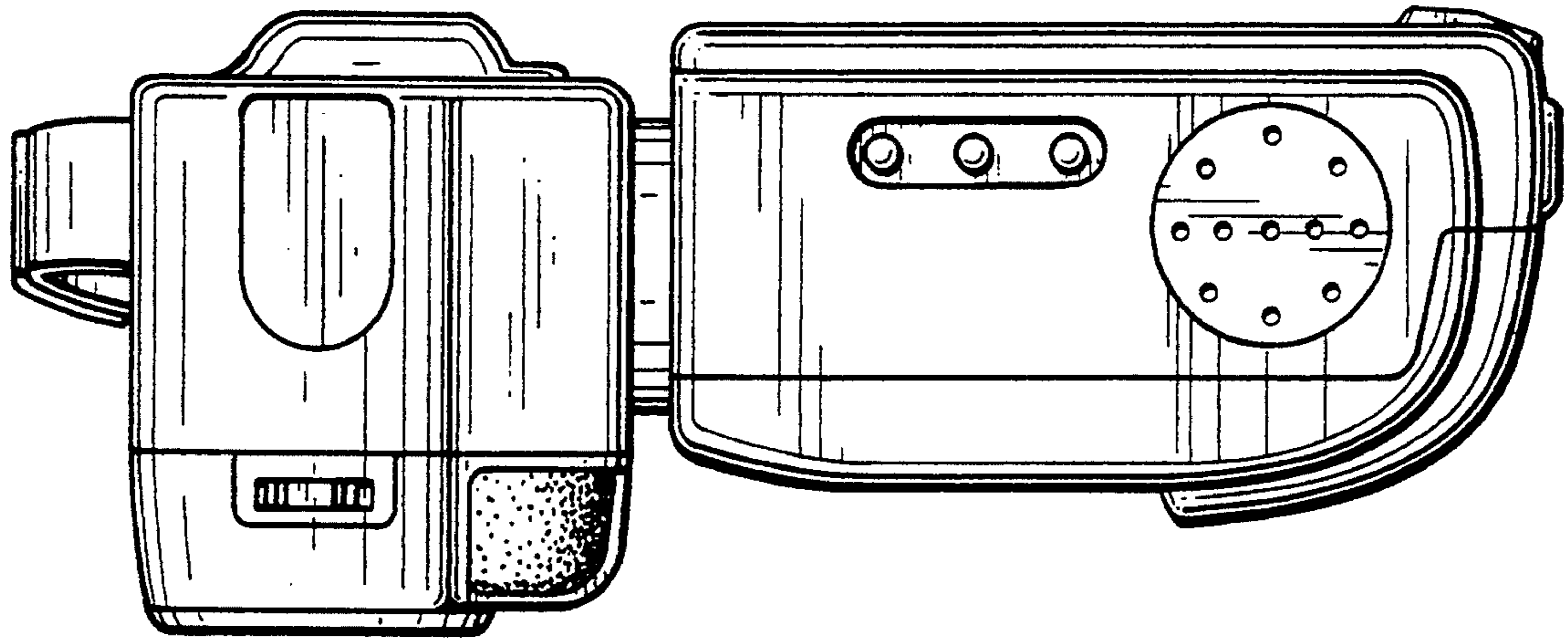
**FIG. 1**



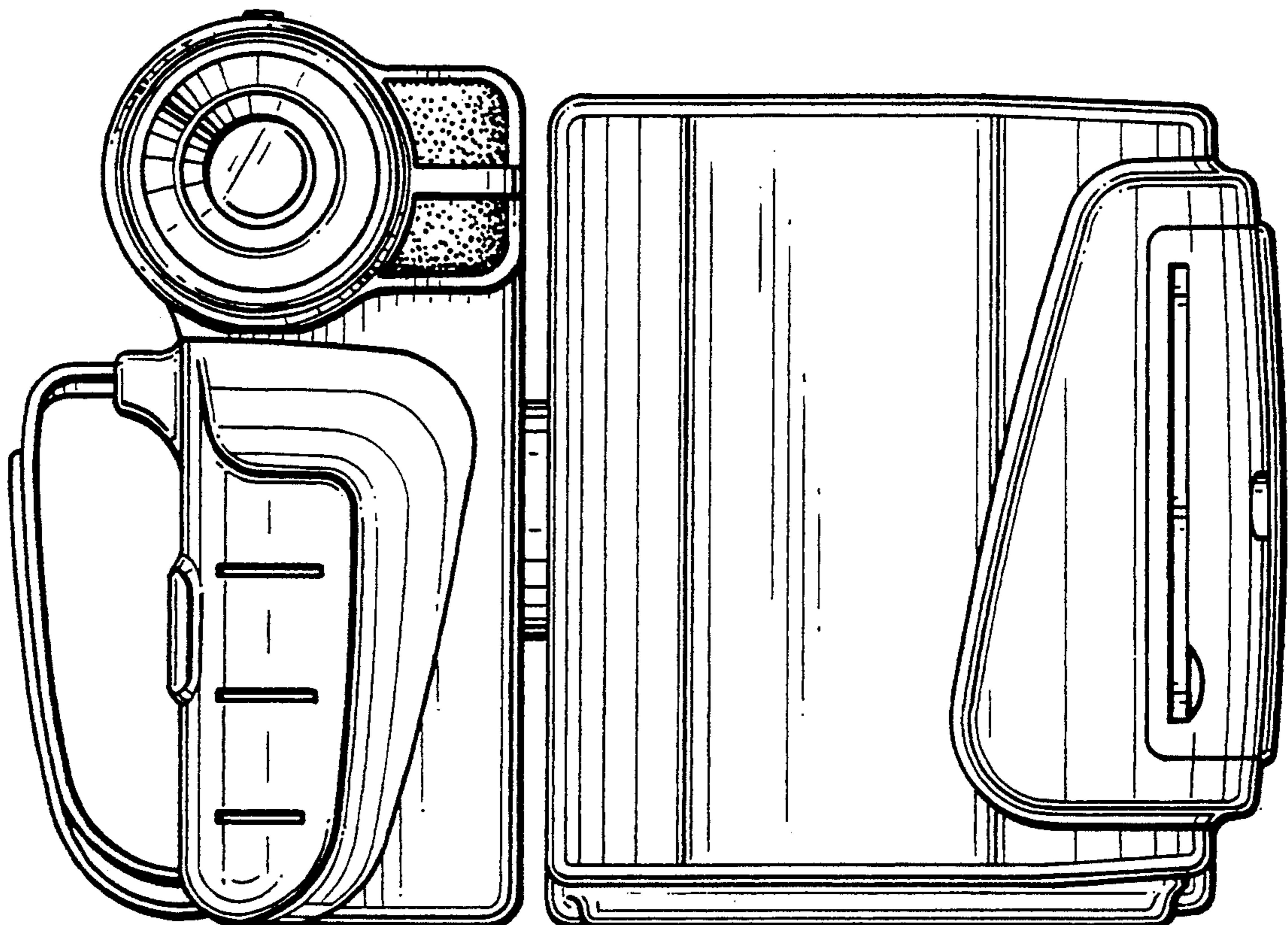
**FIG. 2**



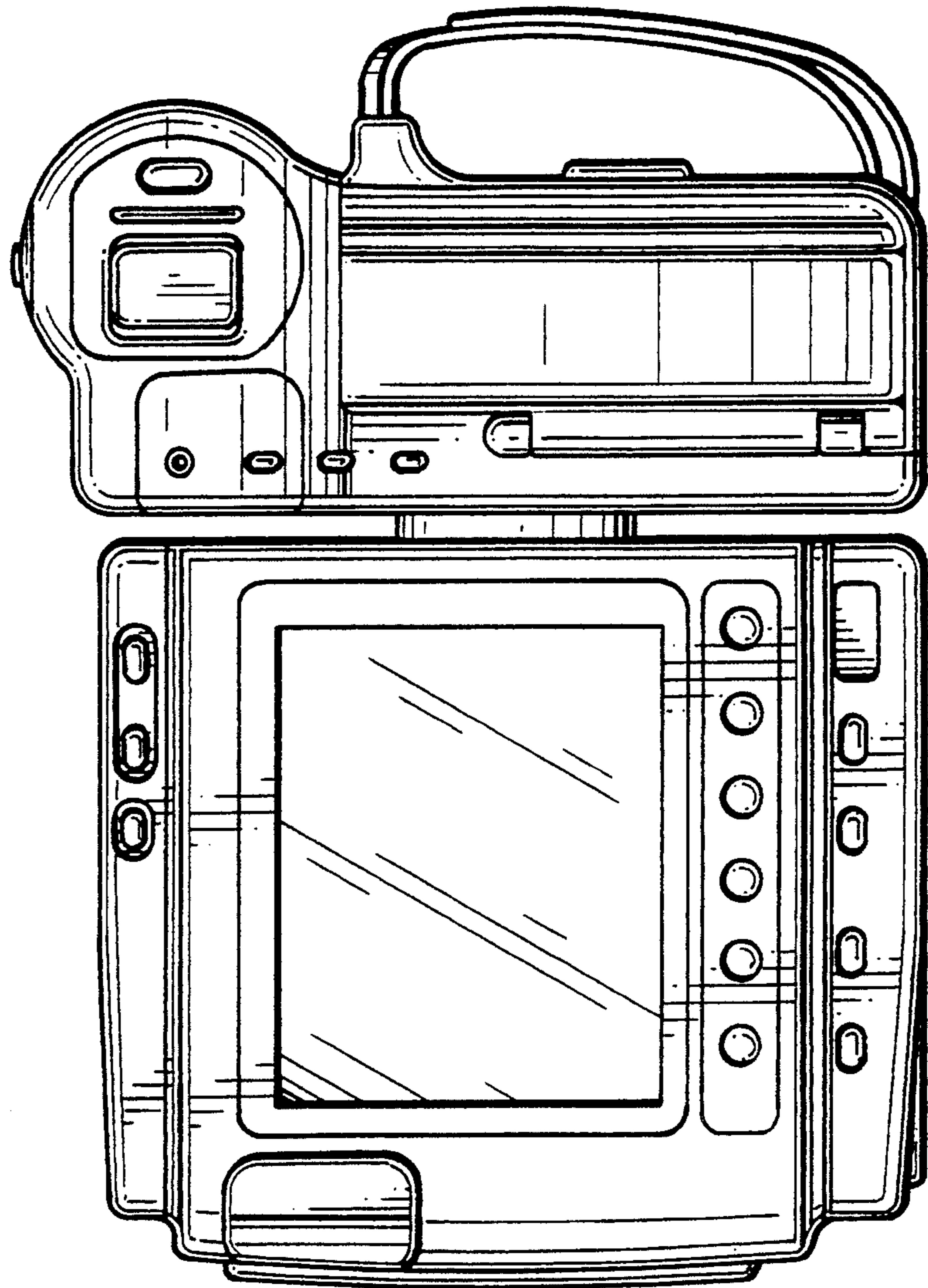
**FIG. 3**



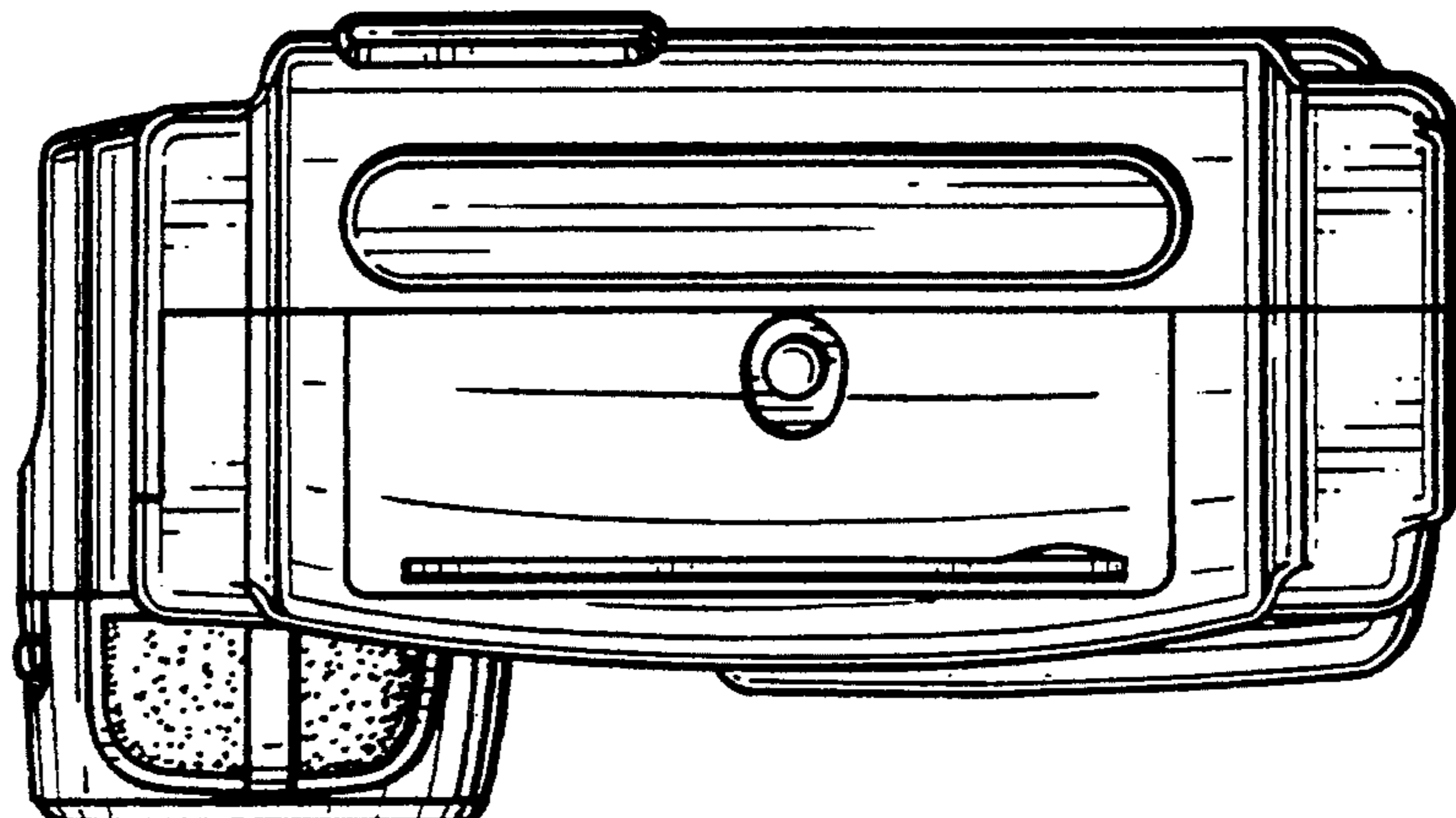
**FIG. 4**

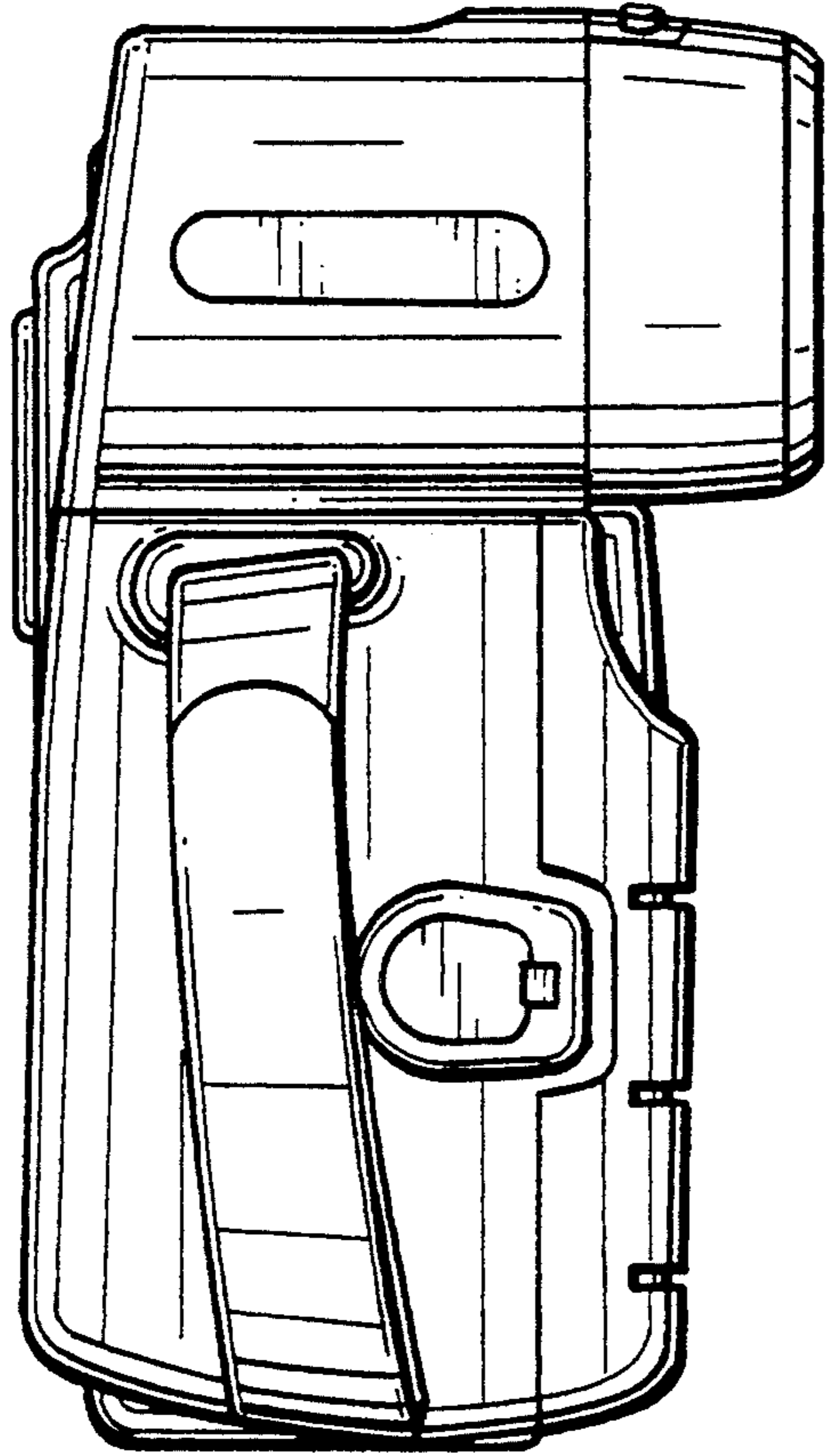


*FIG. 6*



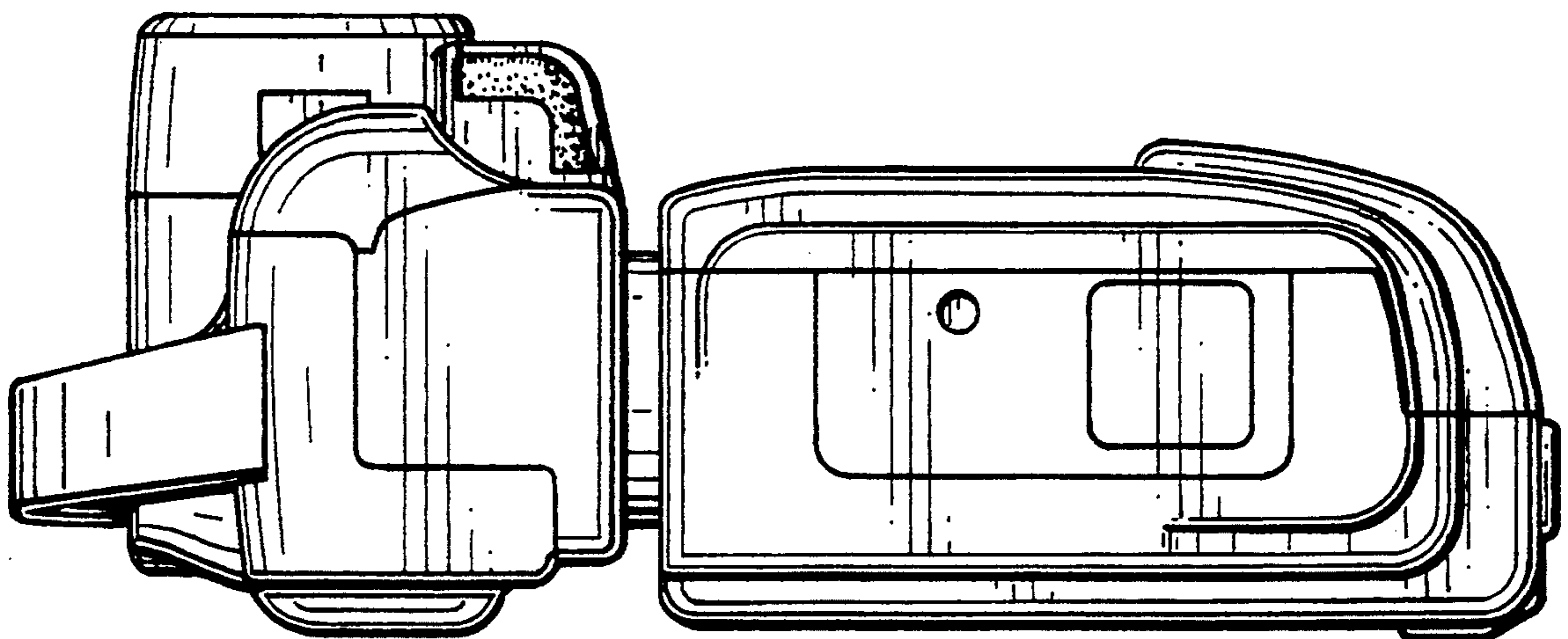
*FIG. 5*





**FIG. 7**

**FIG. 8**



**FIG. 9**

