



US00D352726S

United States Patent [19]
Bollé

[11] **Patent Number: Des. 352,726**
[45] **Date of Patent: ** Nov. 22, 1994**

[54] **GOGGLES**
[75] **Inventor: Maurice Bollé, Oyonnax, France**
[73] **Assignee: Etabissements Bollé Oyonnax, France**
[**] **Term: 14 Years**
[21] **Appl. No.: 4,739**
[22] **Filed: Feb. 11, 1993**
[52] **U.S. Cl. D16/312**
[58] **Field of Search 2/428, 430, 432, 436, 2/439, 440, 6.2; 351/44, 51, 105, 111, 112, 116, 123, 158; 359/480, 482, 630; D16/102, 103, 107, 111, 112, 116, 119, 122, 125, 127; D29/6, 9**

4,353,134 10/1980 Macnabb .
4,425,669 1/1984 Grendol et al. .
4,571,748 2/1986 Carroll et al. .
4,621,378 11/1986 Hatchman .
4,649,577 3/1987 Wiedner 2/436
4,689,837 9/1987 Bollé .
4,707,863 11/1987 McNeal .
4,934,807 6/1990 Bollé .
4,951,322 8/1990 Lin .

FOREIGN PATENT DOCUMENTS

2087403 12/1971 France .

OTHER PUBLICATIONS

Hong Kong Enterprise Jul. 1988 p. 150 #6.

Primary Examiner—B. J. Bullock
Assistant Examiner—R. Barkai
Attorney, Agent, or Firm—Gregg I. Anderson

[56] **References Cited**

U.S. PATENT DOCUMENTS

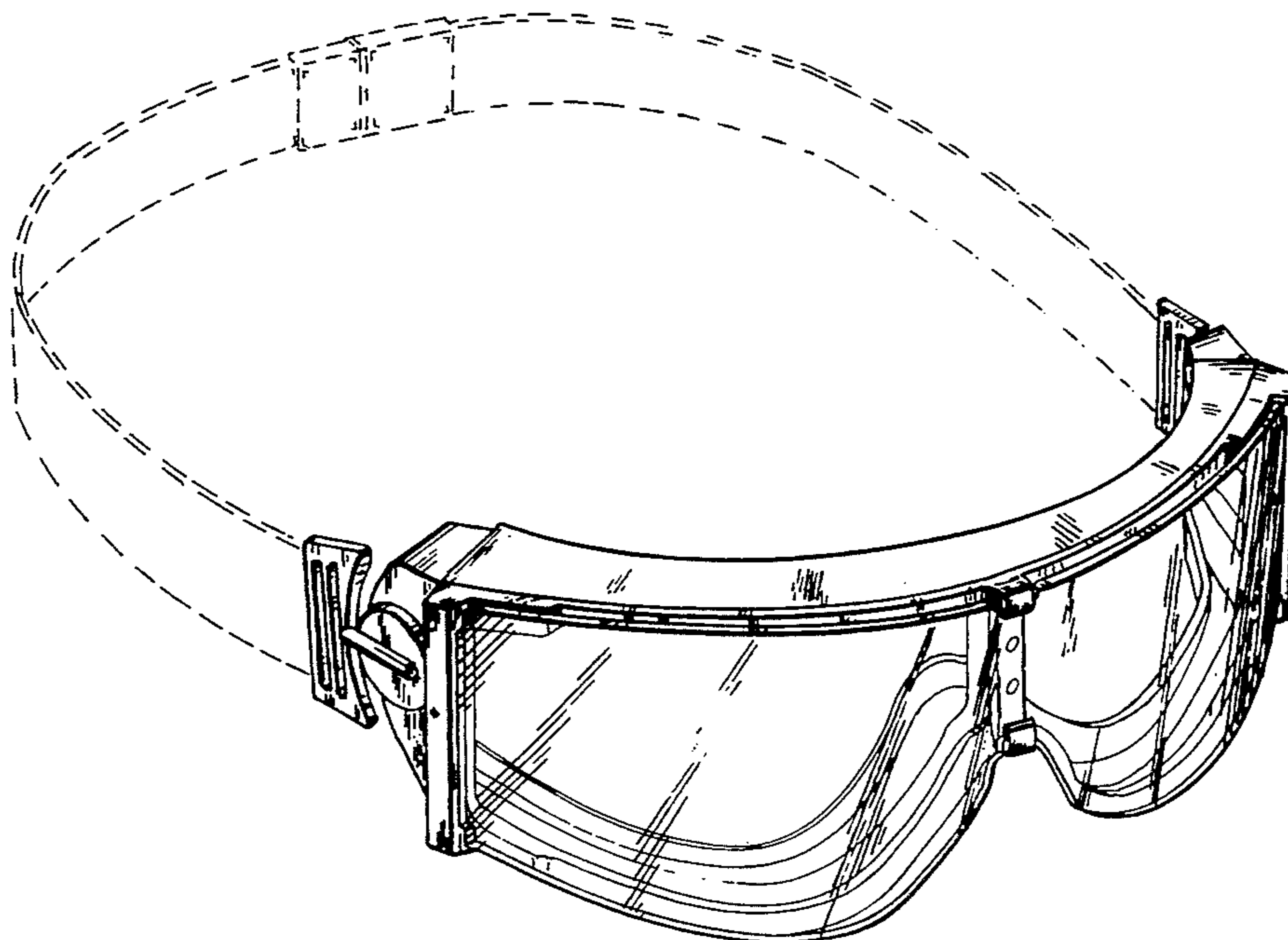
D. 273,819 5/1984 Yehl D16/112
D. 310,839 9/1990 Bollé .
D. 322,082 12/1991 Bollé .
D. 325,266 4/1992 Puilloux D16/107
D. 327,696 7/1992 Bolle D16/102
D. 328,084 7/1992 Salce D16/102
805,401 11/1905 Zarbaugh .
2,126,379 8/1938 Fischer .
2,179,286 11/1939 English .
2,406,608 8/1946 Joyce .
2,406,998 9/1946 DuBois .
2,617,100 11/1952 Moeller .
2,648,843 8/1953 Hirschmann .
2,774,279 12/1956 Olson et al. .
2,936,458 5/1960 Luisada .
3,233,249 2/1966 Baratell et al. .
3,233,250 2/1966 Jonassen .
3,389,406 6/1968 Mitchell .
3,517,393 6/1970 Beauchef .
3,945,044 3/1976 McGee et al. .
4,069,156 1/1978 Watkins, Jr. .

[57] **CLAIM**

The ornamental design for goggles, as shown and described.

DESCRIPTION

FIG. 1 is a perspective view of goggles of the design; FIG. 2 is a top plan view of the design shown in FIG. 1; FIG. 3 is a front elevation view of the design shown in FIG. 1; FIG. 4 is a rear elevation view of the design shown in FIG. 1; FIG. 5 is a bottom plan view of the design shown in FIG. 1; and, FIG. 6 is a side elevation view of the design shown in FIG. 1, the side opposite being a mirror image. The broken line showing of the strap in FIG. 1 is for illustrative purposes only and forms no part of the claimed design.



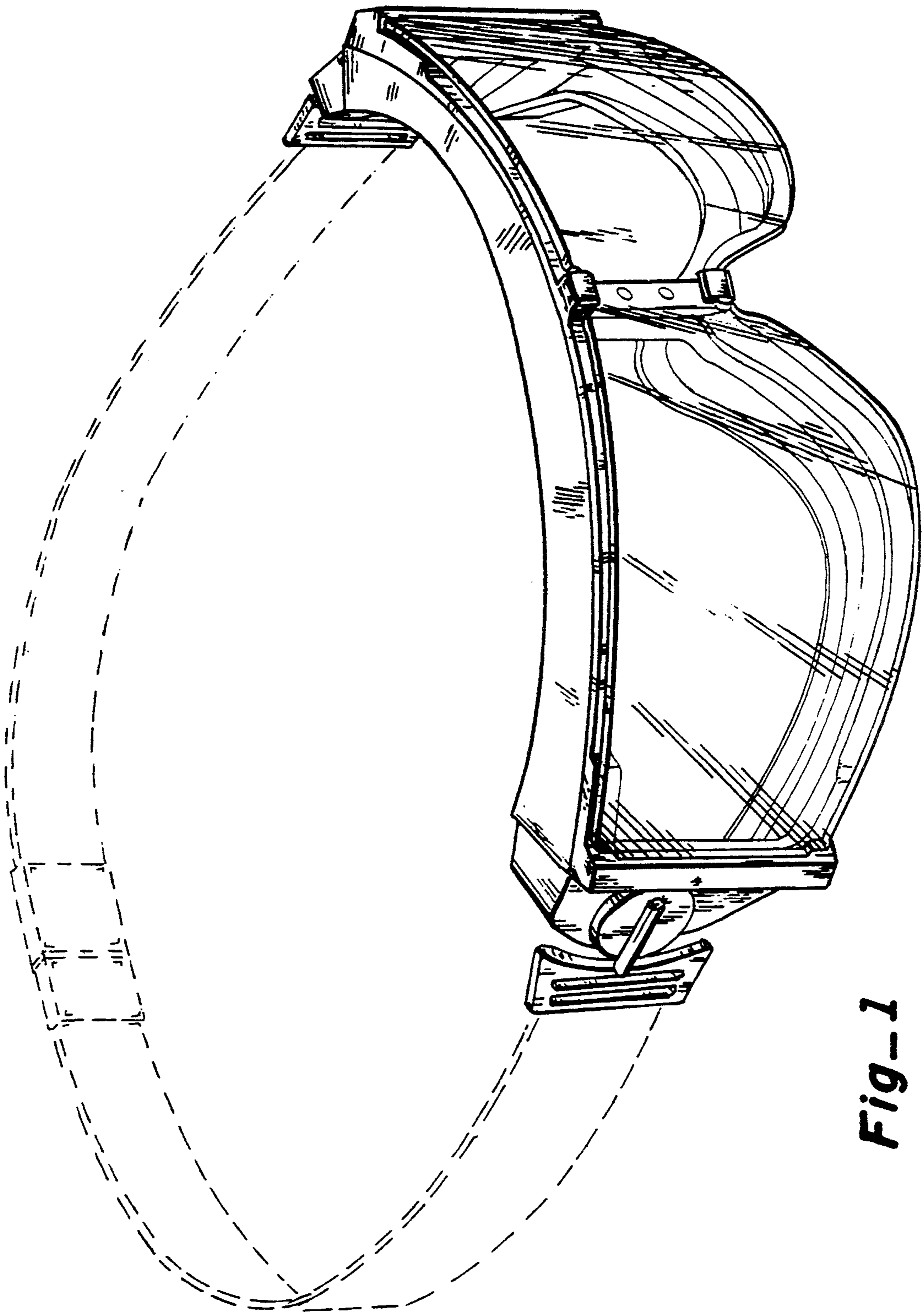


Fig-1

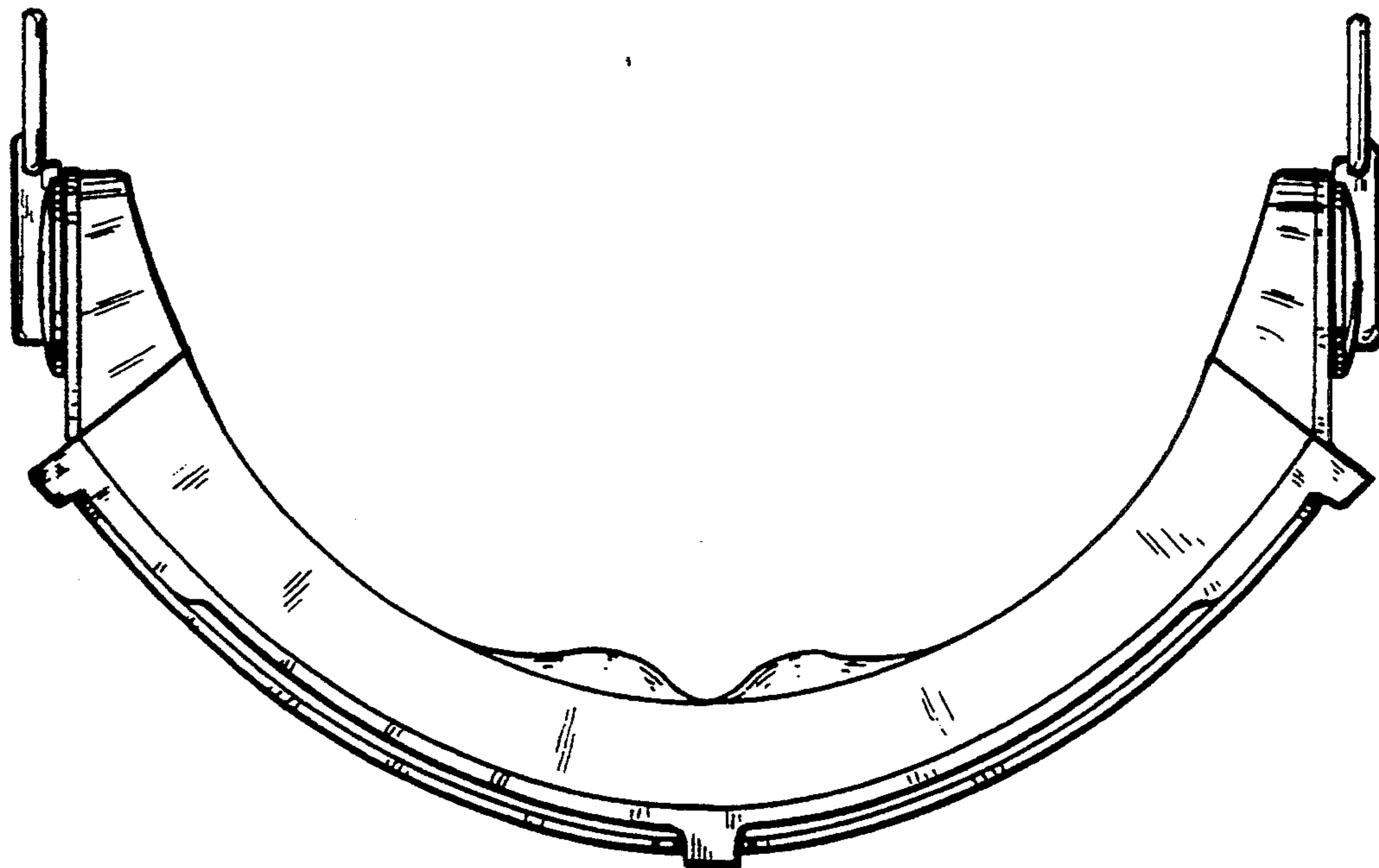


Fig-2

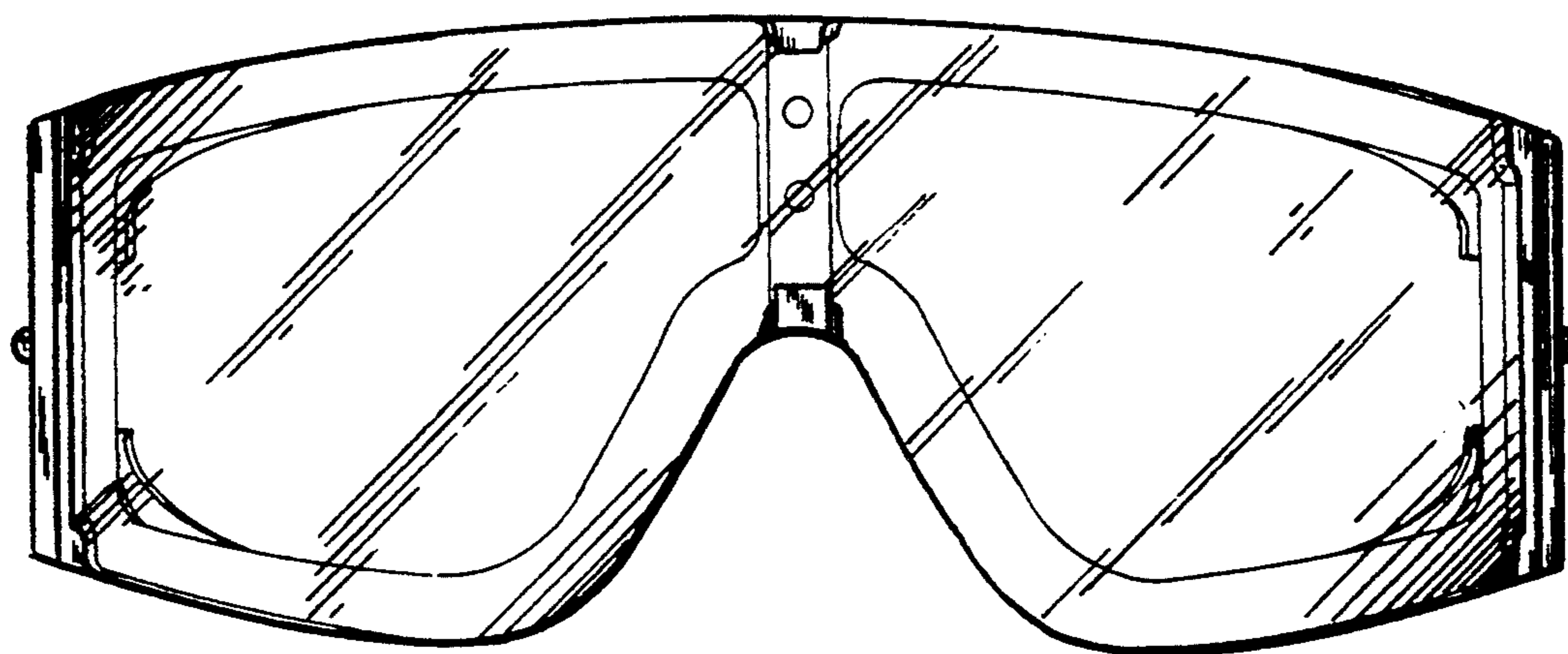
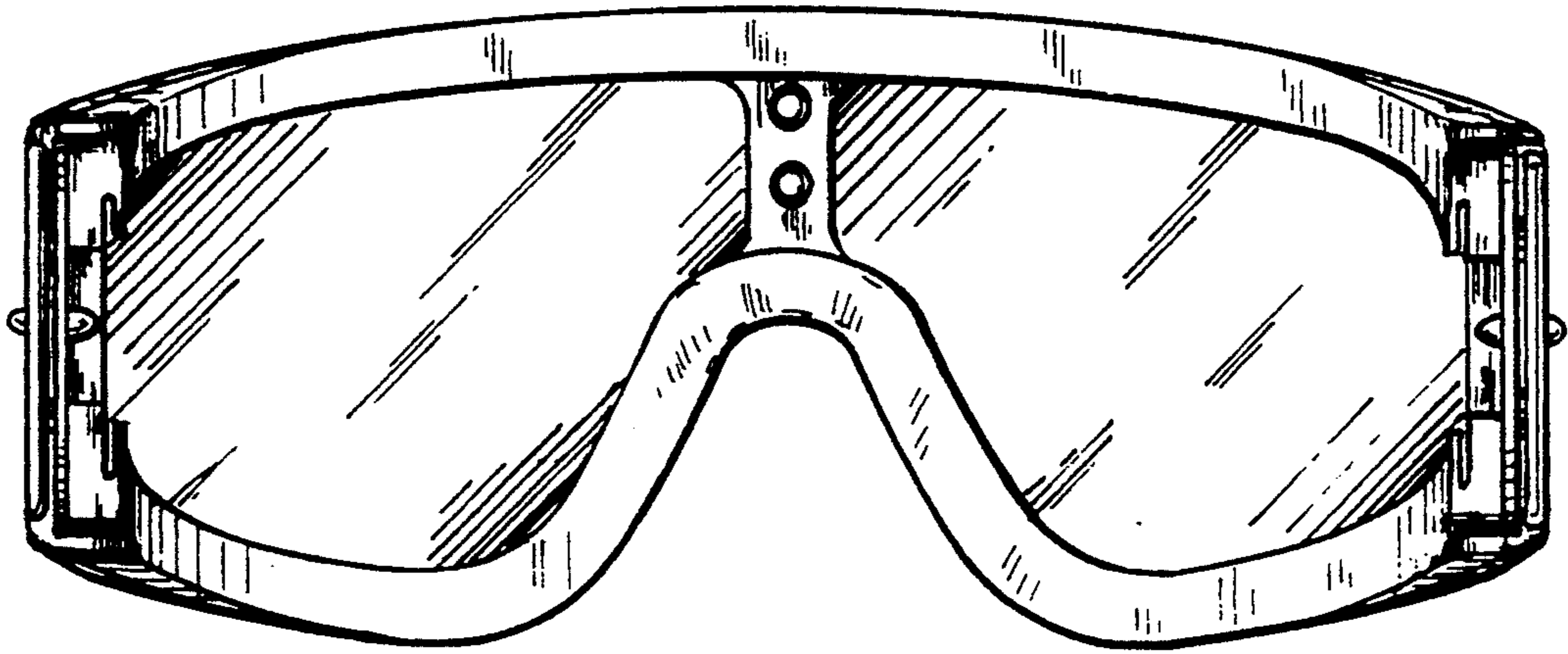
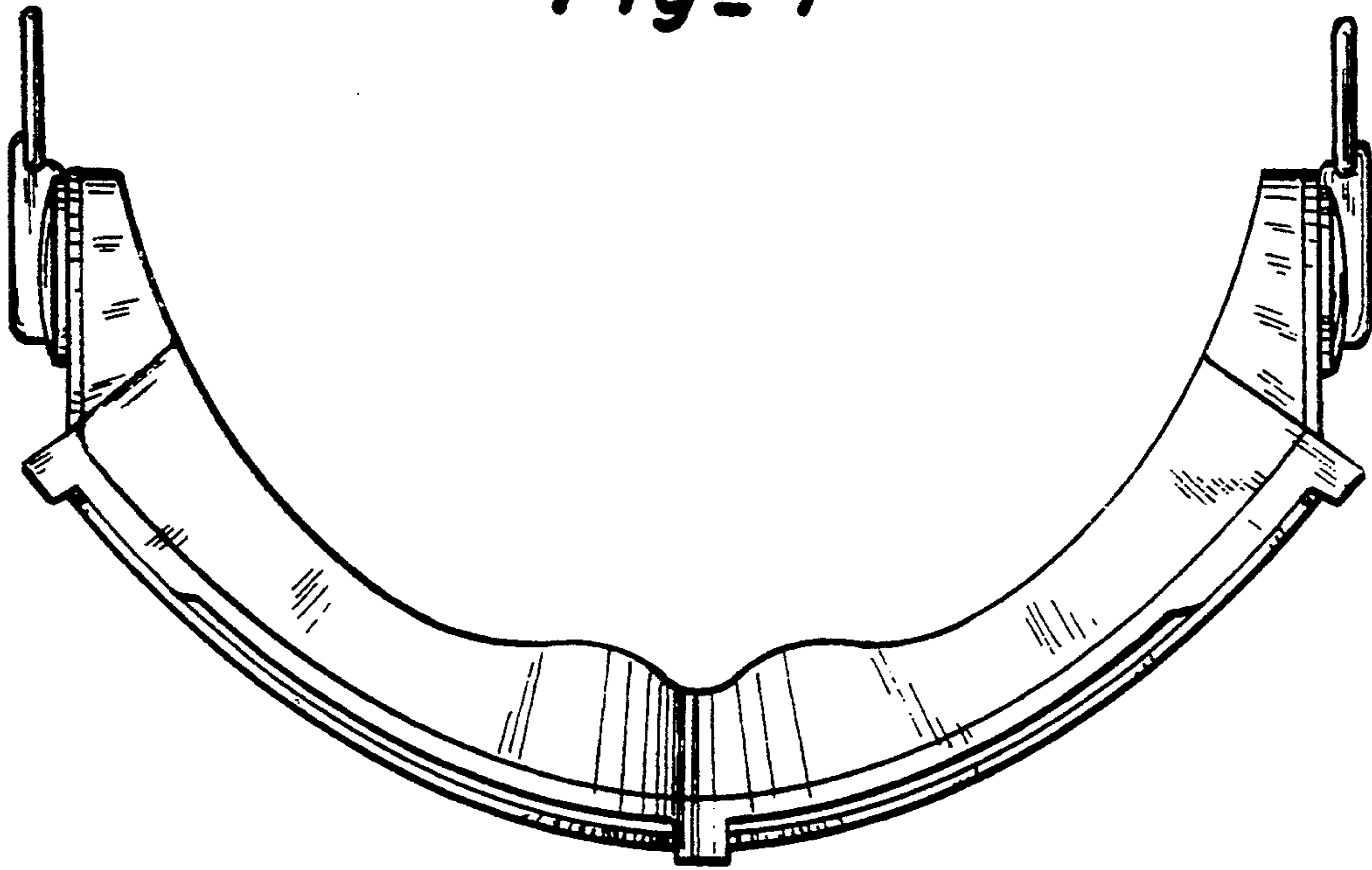


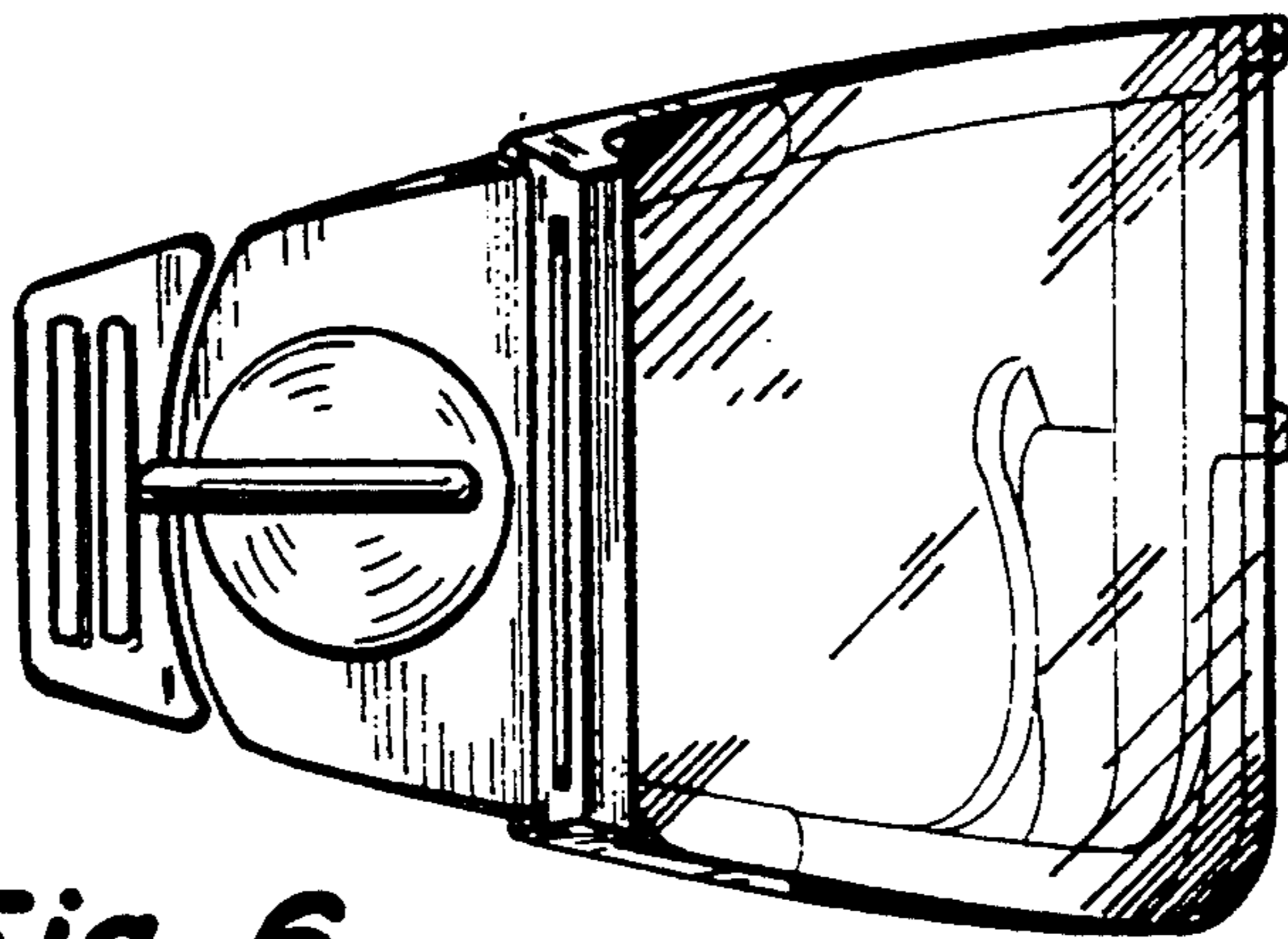
Fig-3



Fig_4



Fig_5



Fig_6