



US00D352724S

United States Patent [19]

[11] Patent Number: **Des. 352,724**

Corrigan et al.

[45] Date of Patent: **** Nov. 22, 1994**

[54] **HIGH SHEAR MIXER**

[56] **References Cited**

[75] Inventors: **John J. Corrigan**, Garden Grove;
Robert M. Culbert, Manhattan
Beach, both of Calif.

U.S. PATENT DOCUMENTS

D. 239,864	5/1976	Szkaradek	D15/123
4,347,004	8/1982	Platts	D15/147 XZ
4,630,932	12/1986	Revelli et al.	366/279
4,828,395	5/1989	Saito et al.	366/279 XZ

[73] Assignee: **Morehouse-Cowles, Inc.**, a CA corp.,
Fullerton, Calif.

Primary Examiner—Alan P. Douglas
Assistant Examiner—Antoine D. Davis
Attorney, Agent, or Firm—Stetina Brunda & Buyan

[**] Term: **14 Years**

[57] **CLAIM**

[21] Appl. No.: **11,522**

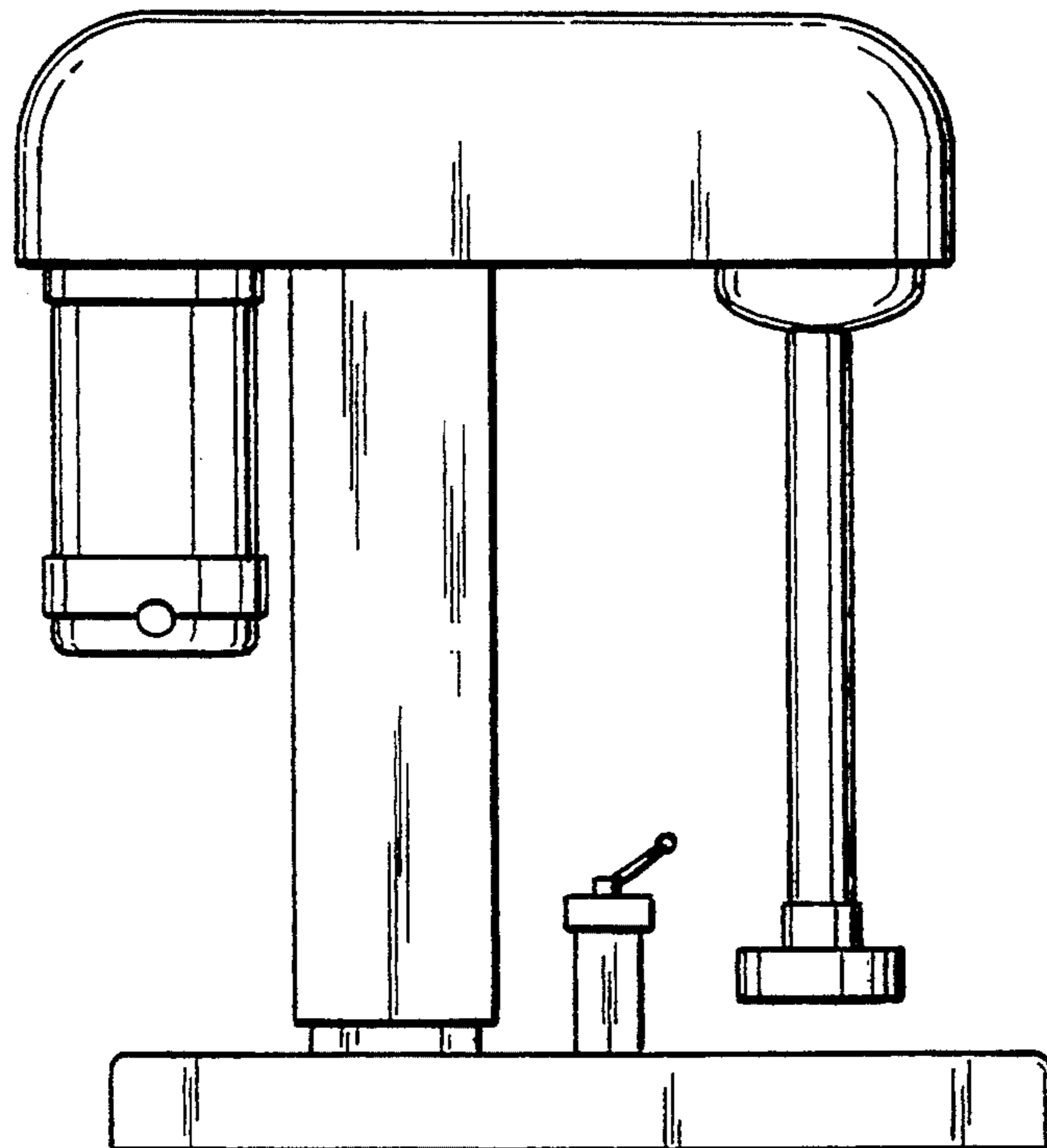
The ornamental design for a high shear mixer, as shown and described.

[22] Filed: **Aug. 5, 1993**

DESCRIPTION

[52] U.S. Cl. **D15/147; D15/123**
[58] Field of Search **D7/376, 377, 378;**
241/46.08, 46.11, 101.8, 170, 171, 189.2, 190;
366/132, 134, 137, 159, 177, 189; 422/111, 133;
D15/123, 147; D24/220

FIG. 1 is a right side view of the high shear mixer of the present invention showing our new design;
FIG. 2 is a front elevational view thereof;
FIG. 3 is a top plan view thereof;
FIG. 4 is a left side elevational view thereof; and,
FIG. 5 is a rear elevational view thereof.



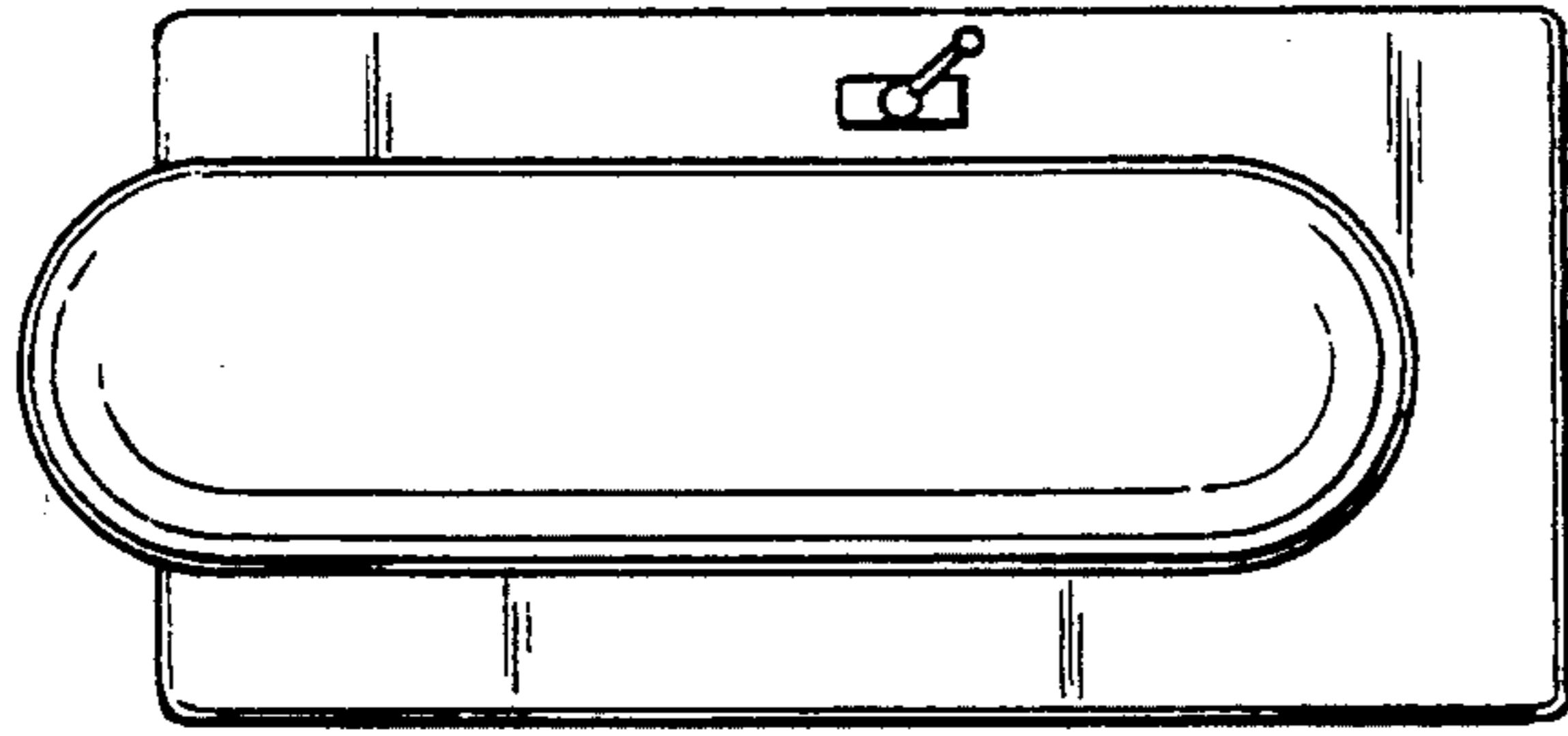


Fig. 3

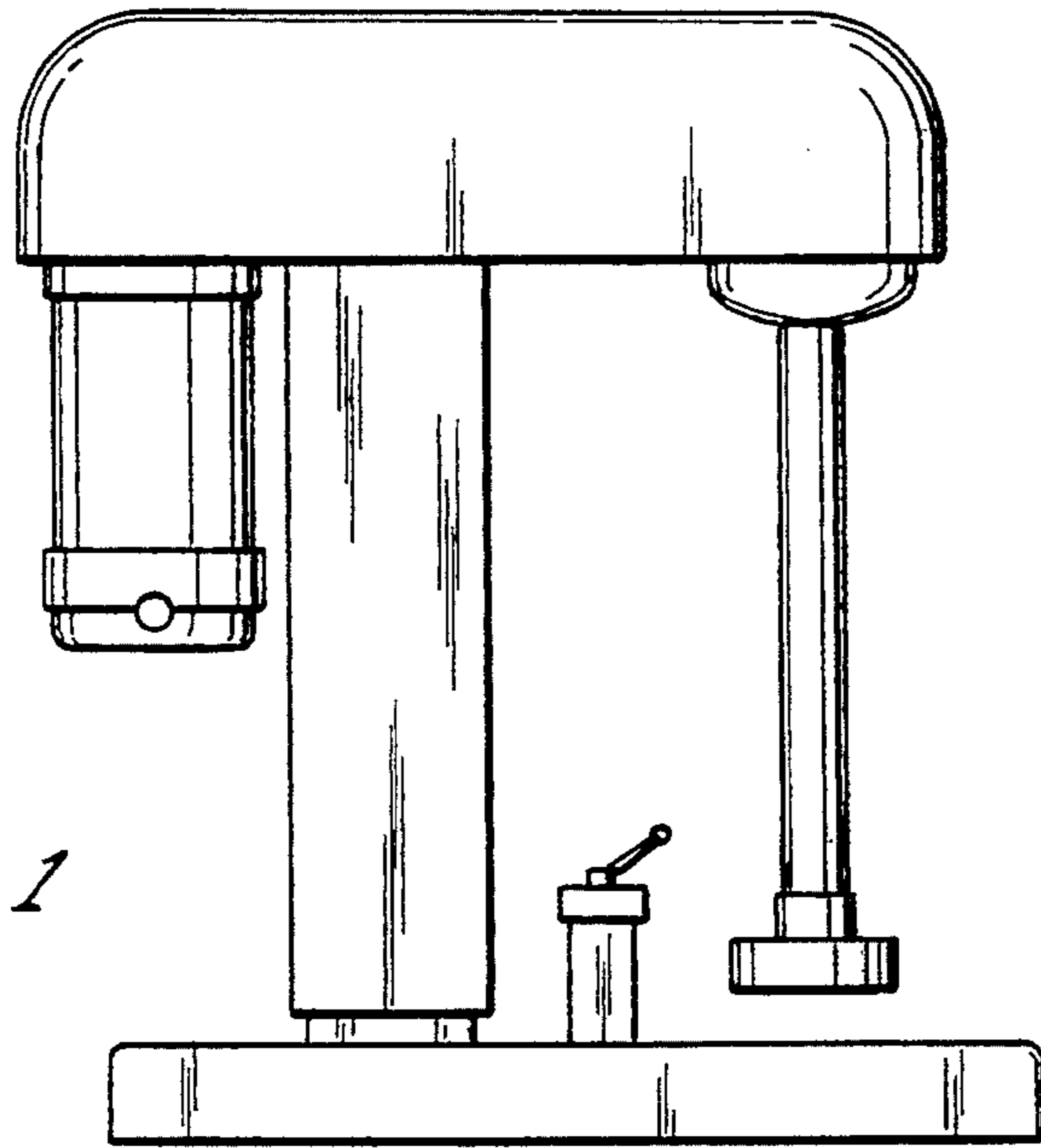


Fig. 1

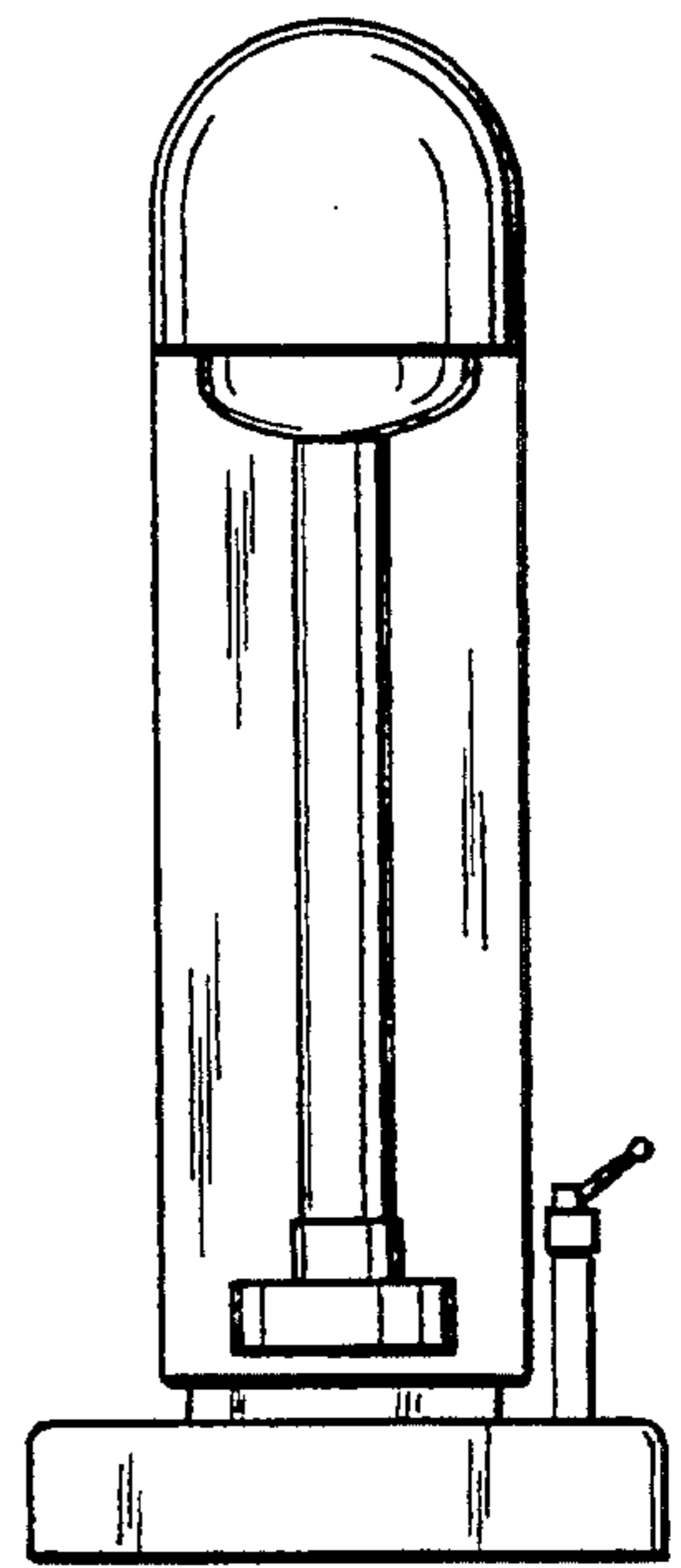


Fig. 2

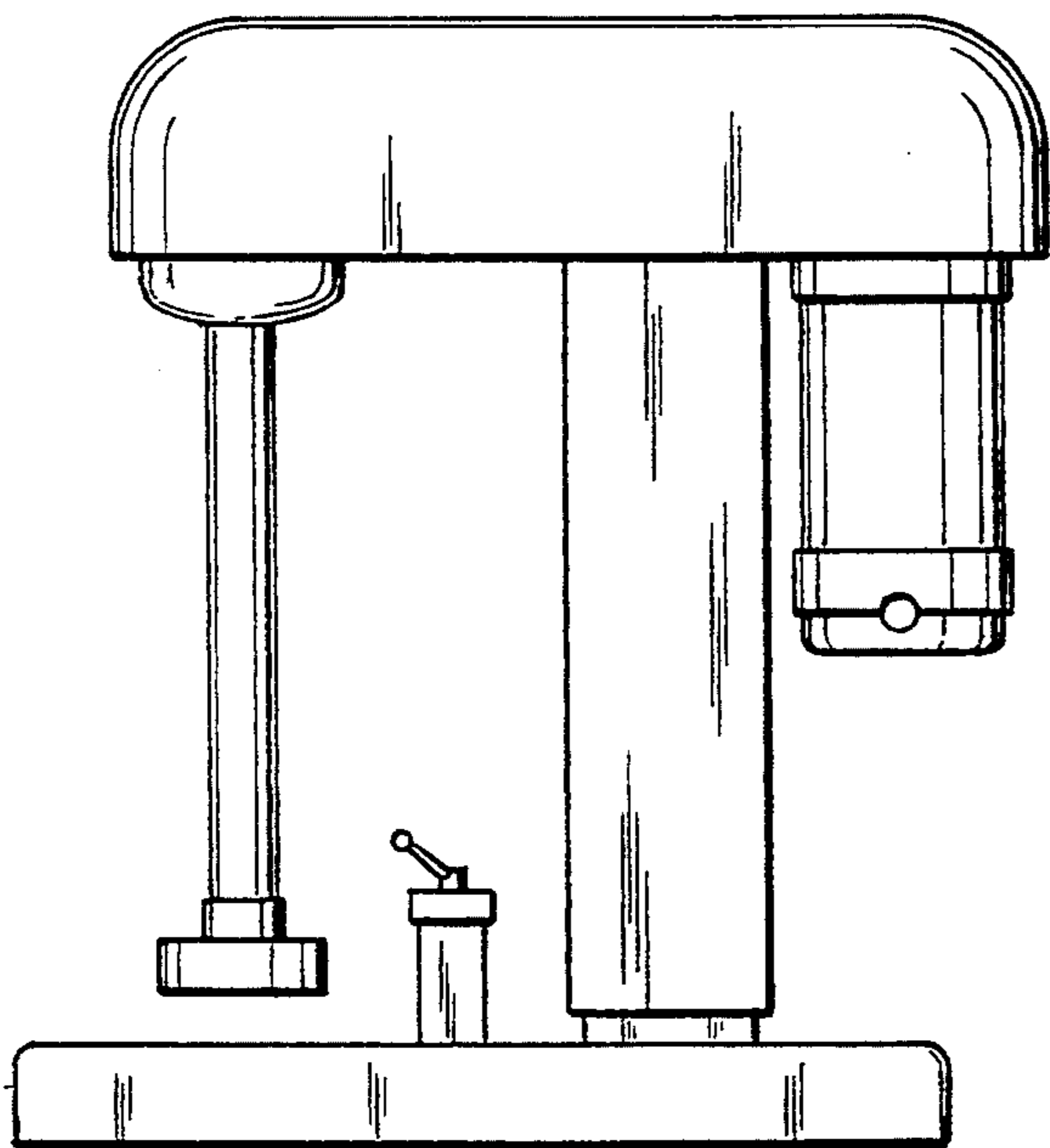


Fig. 4

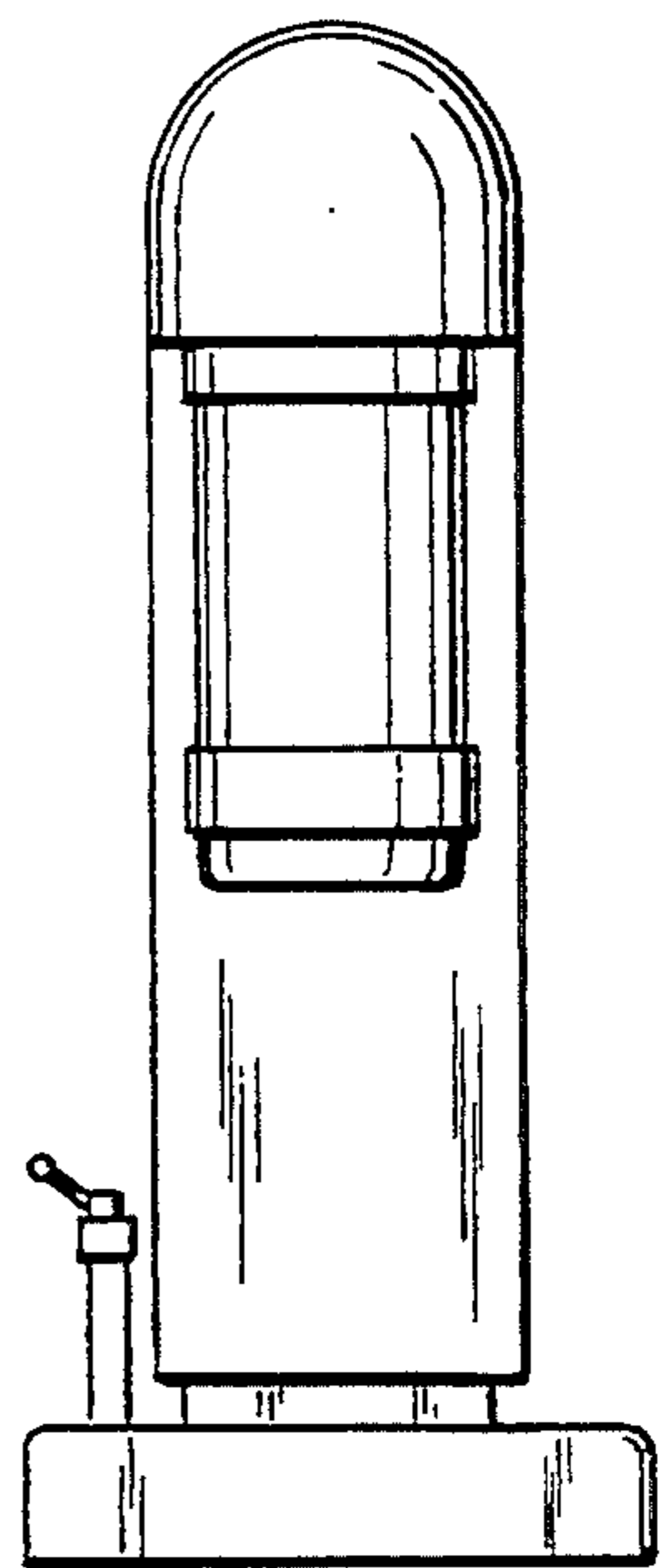


Fig. 5