



US00D352723S

United States Patent [19]

DeBraul et al.

[11] Patent Number: Des. 352,723

[45] Date of Patent: ** Nov. 22, 1994

[54] VEHICLE FRONT

[75] Inventors: **Stanley J. DeBraul**, West Bend, Wis.; **Daniel R. Nickles**, Hewitt; **William E. Crookes**, Waldwick, both of N.J.; **Alberto J. Mantilla**, Brooklyn; **Tor G. Bonnier**, New York, both of N.Y.; **David R. Holm**, Oconomowoc, Wis.

[73] Assignee: **Deere & Company**, Moline, Ill.

[**] Term: **14 Years**

[21] Appl. No.: **2,316**

[22] Filed: **Nov. 16, 1992**

[52] U.S. Cl. **D15/31; D15/17; D12/163**

[58] Field of Search 56/13.4, 16.7, 202, 56/320.1, 320.2; 180/89.1, 89.12, 900; D15/10, 15-17, 22-26, 31; D12/163-166

[56] References Cited

U.S. PATENT DOCUMENTS

D. 184,159	12/1958	Whiting et al.	D15/31
D. 227,094	6/1973	Skyer et al.	D15/31
D. 246,370	11/1977	Lorenz	D15/31
D. 270,351	8/1983	Montgomery et al.	D15/31
D. 279,569	7/1985	Miggels et al.	D15/31
D. 296,557	7/1988	Williams	D15/31
D. 311,008	10/1990	Durfee et al.	D15/15
D. 311,543	10/1990	Hardzinski et al.	D15/17
D. 339,357	9/1993	Teal et al.	D15/17
D. 340,728	10/1993	Martenas et al.	D15/31
D. 341,365	11/1993	Little et al.	D15/31

OTHER PUBLICATIONS

Washington Post Sears insert, Craftsman II Garden Tractor.
 Steiner Turf Equipment Inc., Steiner Specs, 4 pages, unknown publication date, U.S.A.
 Jacobsen Textron, Jacobsen 610, 810 and Utility Trucks, 4 pages, unknown publication date, U.S.A.
 Cushman, Cushman Super Runabout, 2 pages, unknown publication date, U.S.A.
 Jacobsen Textron, Jacobsen, 2015/2315 Utility Trucks, 5 pages, unknown publication date, U.S.A.
 Smithco, Smithco, 1 page, unknown publication date, U.S.A.
 Kawasaki, Mule 500, 4 pages, unknown publication date, U.S.A.
 Kawasaki, Mule 2010/1000, 5 pages, unknown publication date, U.S.A.
 Columbia, Columbia Utility Vehicle, 1 page unknown publication date, U.S.A.
 Shuttlecraft, Shuttlecraft, 1 page, unknown publication date, U.S.A.

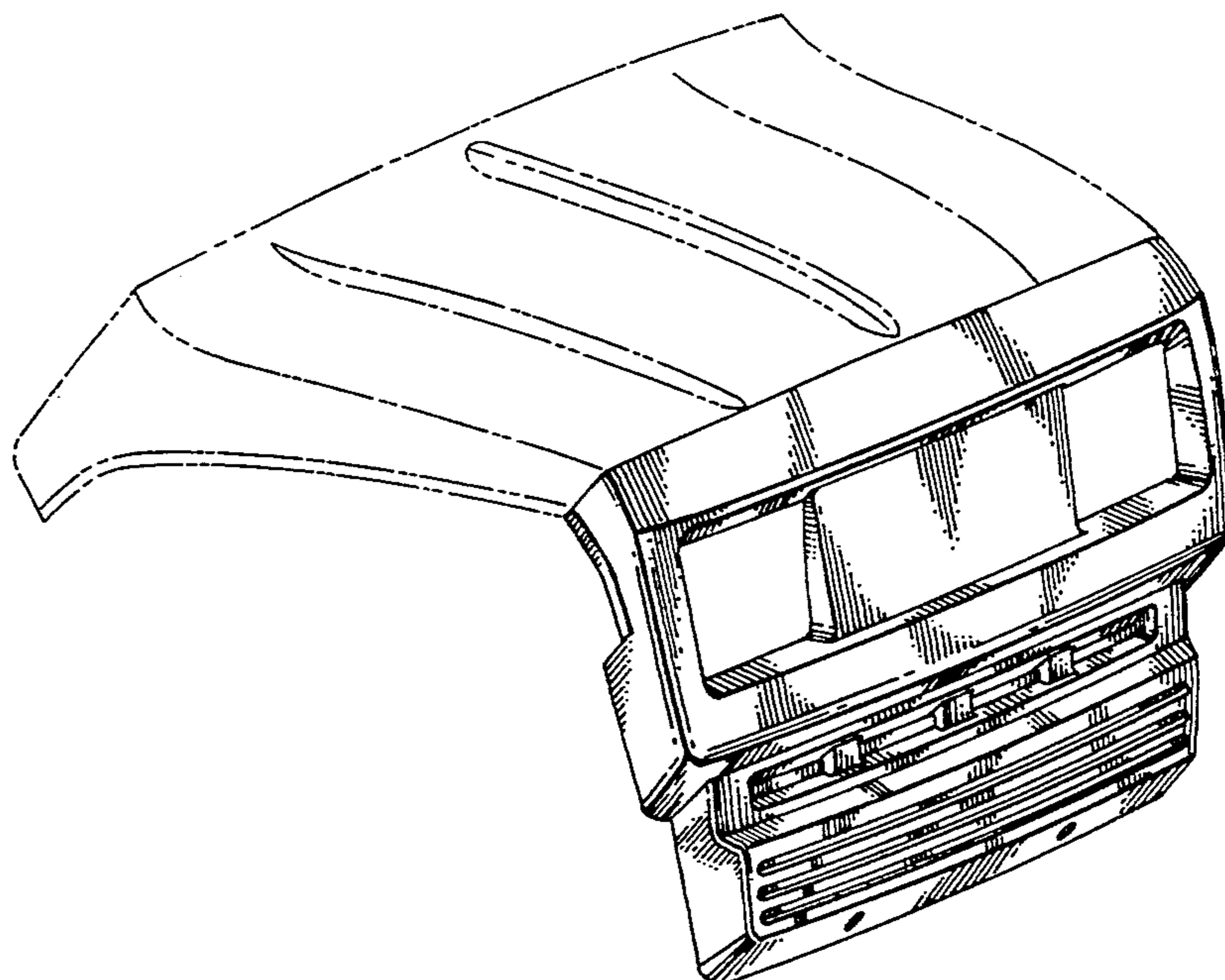
Primary Examiner—Bernard Ansher
Assistant Examiner—Sandra Morris

[57] CLAIM

The ornamental design for a vehicle front, as shown and described.

DESCRIPTION

FIG. 1 is a left front perspective view of a vehicle front, showing our new design;
 FIG. 2 is a front elevational view thereof;
 FIG. 3 is a top plan view thereof;
 FIG. 4 is a left side elevational view thereof; and,
 FIG. 5 is a right side elevational view thereof.
 The broken line showing of the hood is for illustrative purposes only, and forms no part of the claimed design.



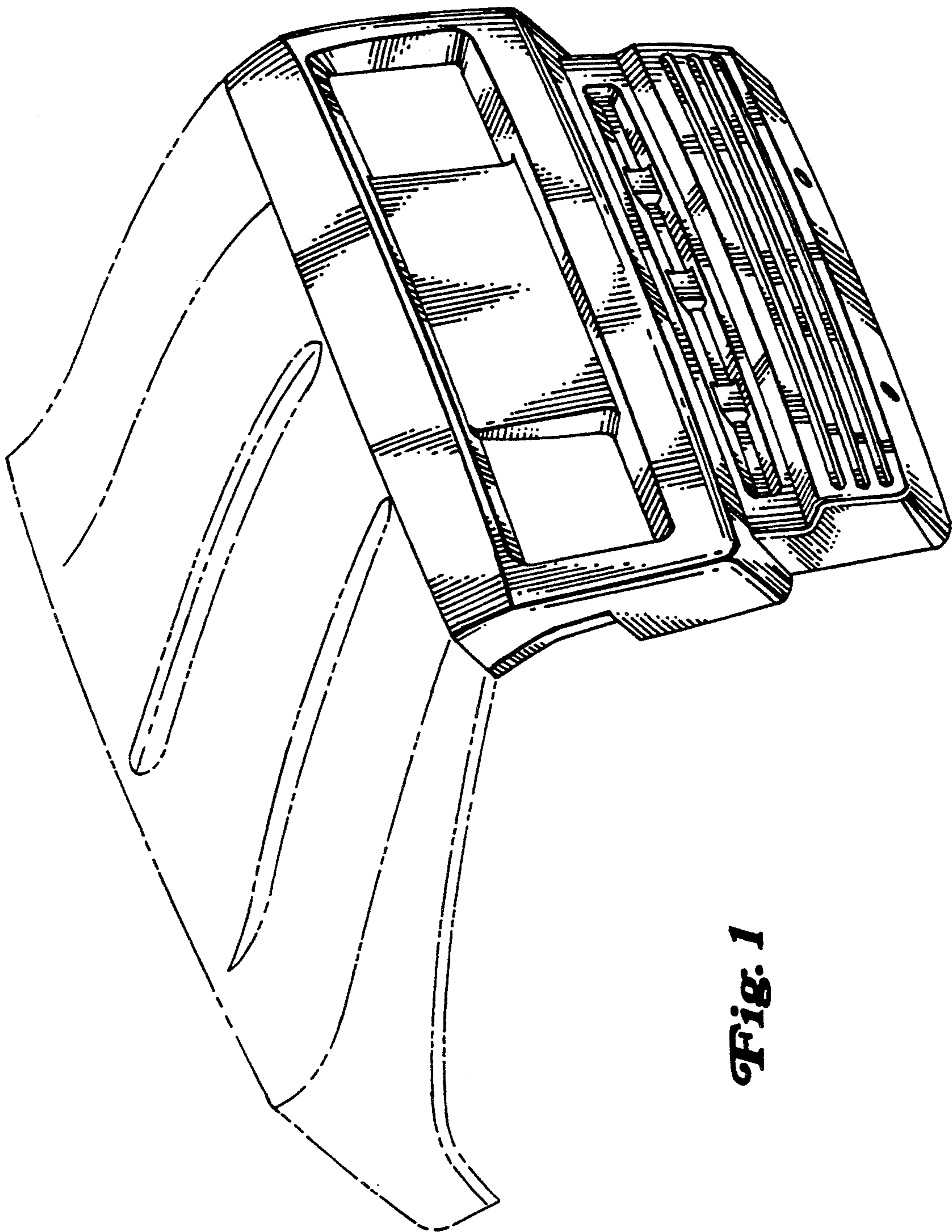


Fig. 1

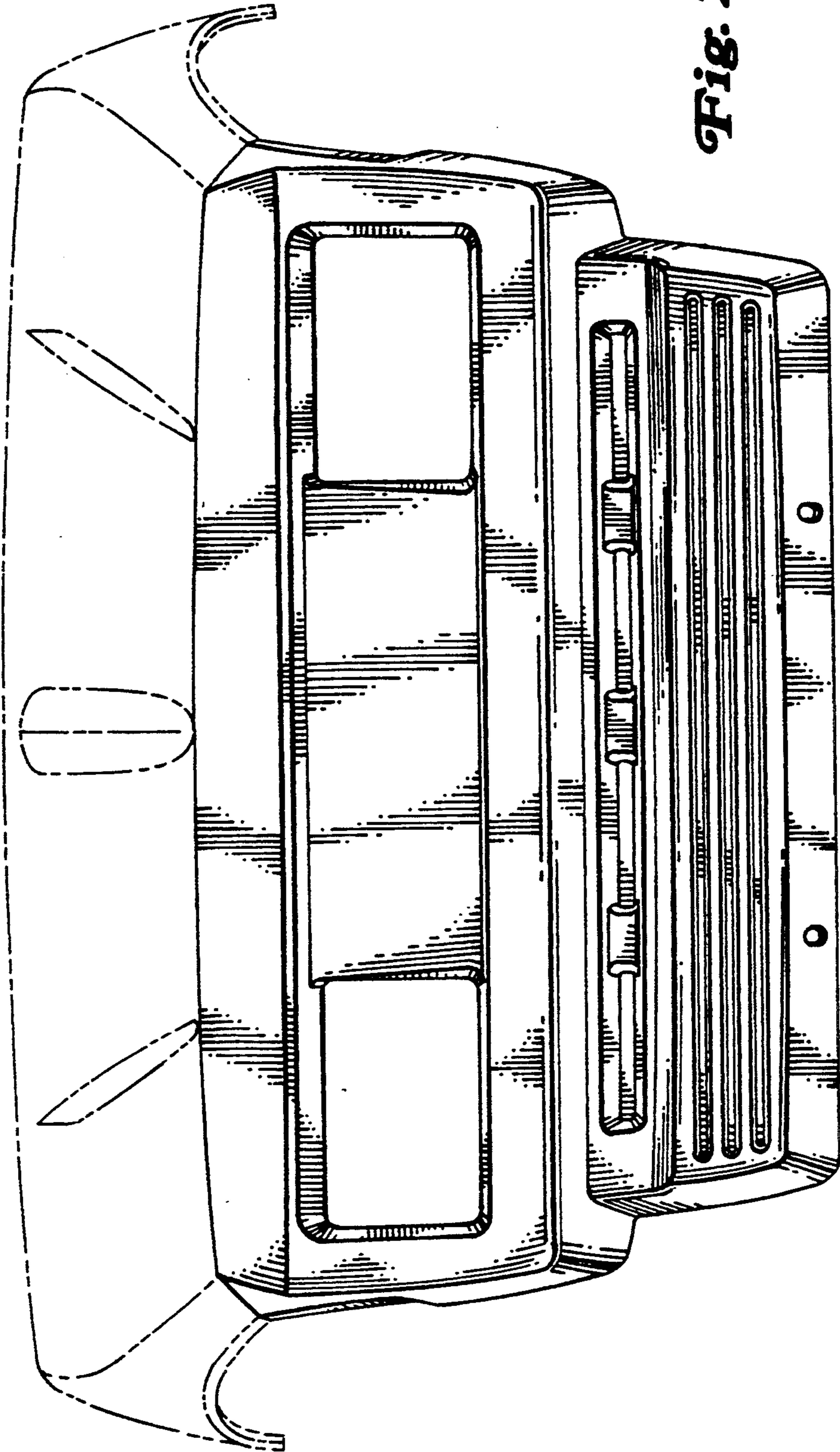


Fig. 2

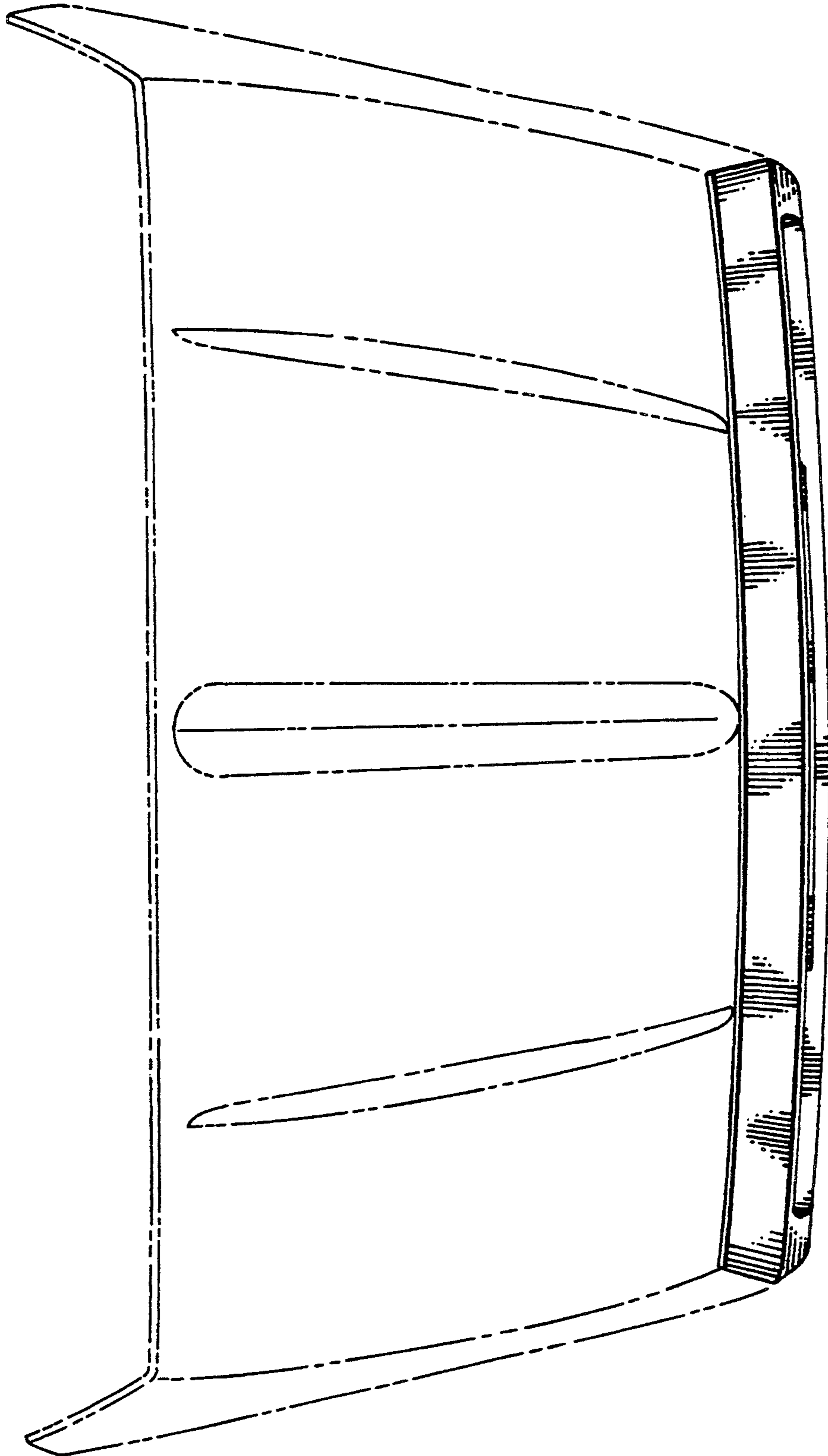


Fig. 3

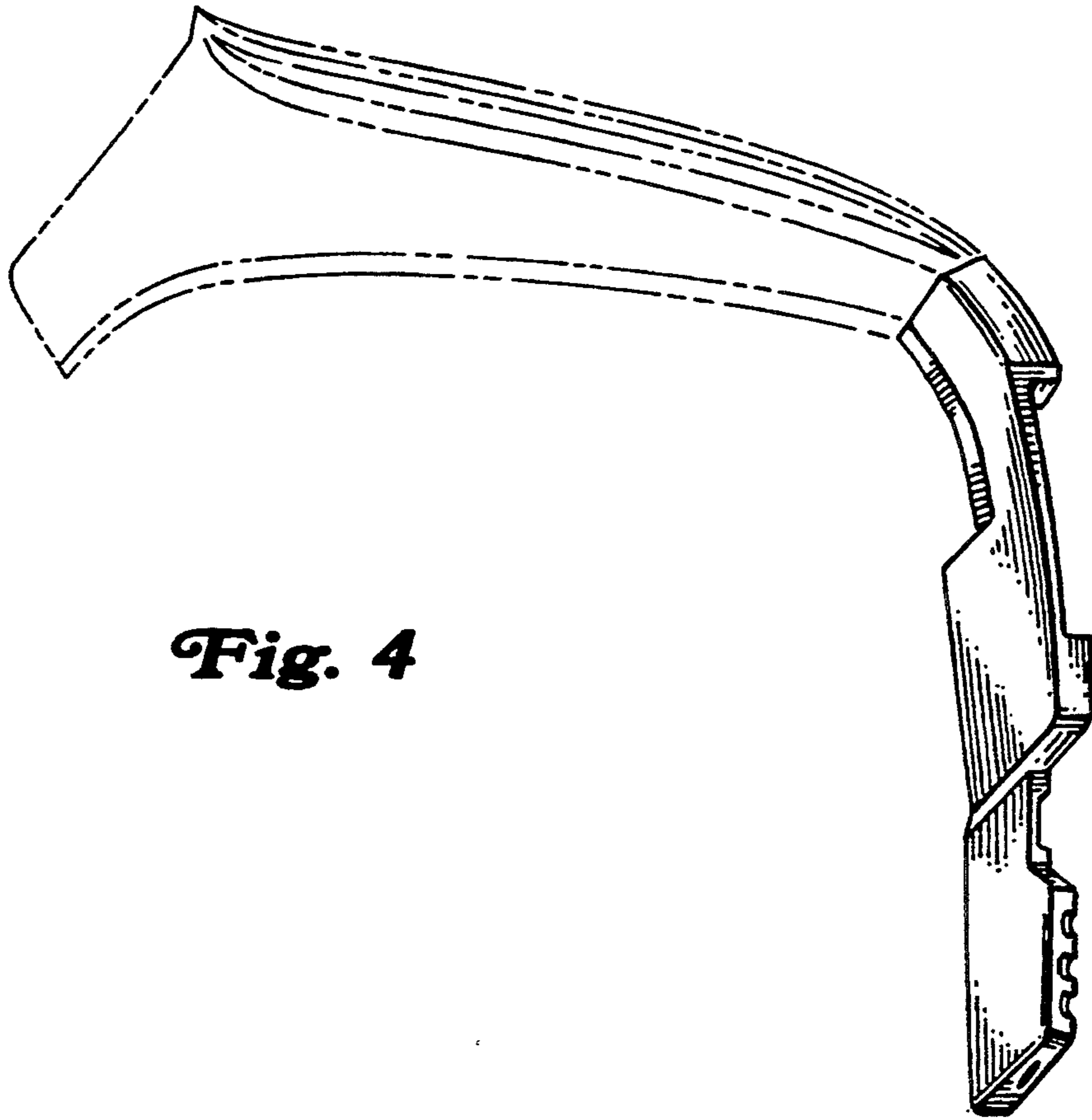


Fig. 4

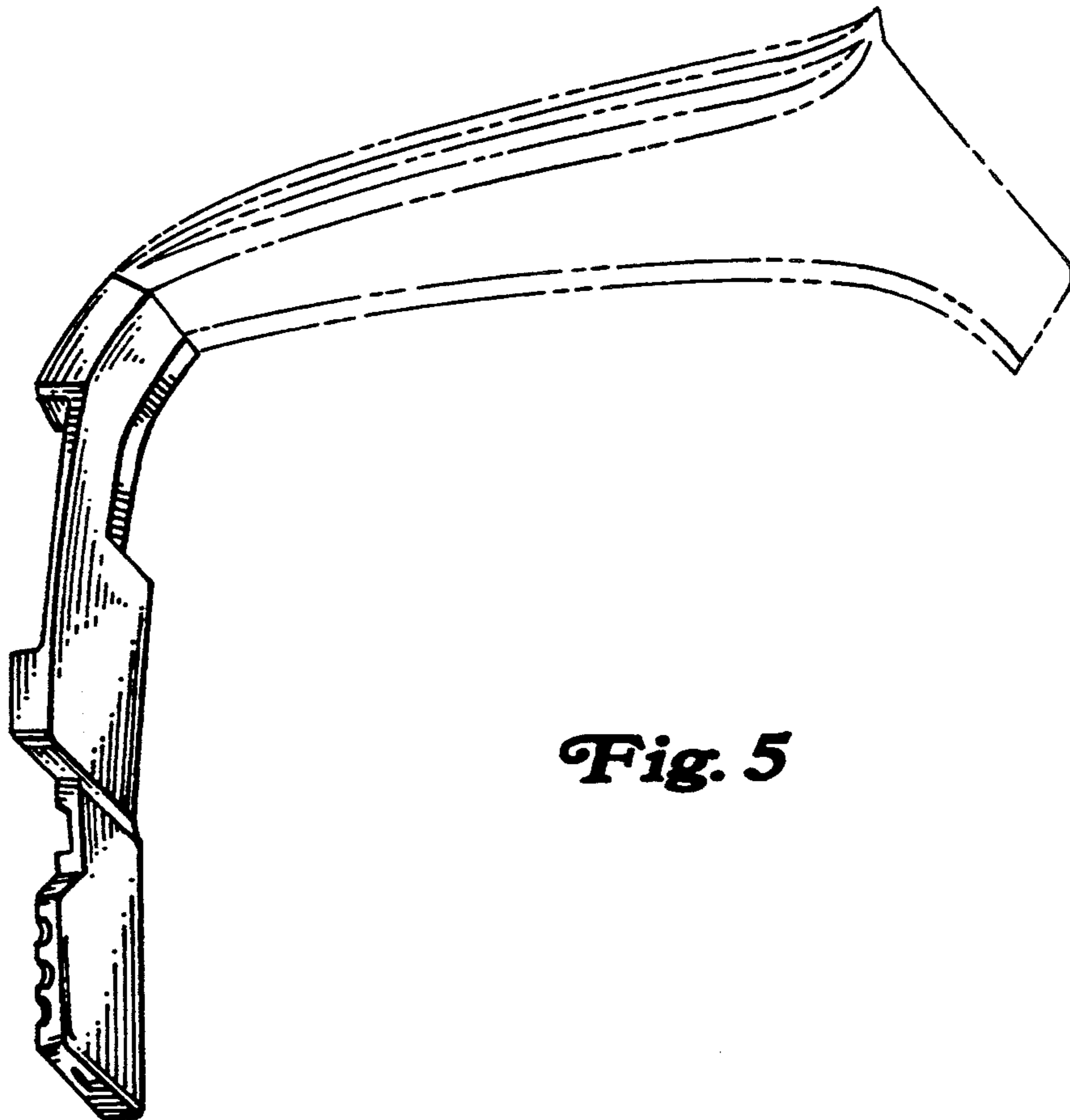


Fig. 5