



US00D352721S

United States Patent [19]

[11] Patent Number: **Des. 352,721**

Cook et al.

[45] Date of Patent: **** Nov. 22, 1994**

[54] **PUMP FOR LIQUIDS**

4,198,373 4/1980 Kropp et al. 417/360

[76] Inventors: **James E. Cook**, 418 Rice St., Anoka, Minn. 55303; **O. Harold S. Eriksen**, 6219 Zealand Ave. North, Brooklyn Park, Minn. 55428

Primary Examiner—Ralf T. Seifert
Attorney, Agent, or Firm—Roger W. Jensen

[**] Term: **14 Years**

[57] **CLAIM**

[21] Appl. No.: **10,737**

The ornamental design for a pump for liquids, as shown and described.

[22] Filed: **Jul. 16, 1993**

DESCRIPTION

[52] U.S. Cl. **D15/7**

FIG. 1 is a top perspective view of a pump for liquids showing our new design;

[58] Field of Search 417/360, 362; D15/7-9.2

FIG. 2 is a top plan view;

FIG. 3 is an elevational view of both left and right sides;

FIG. 4 is an elevational view of both left and right ends;

FIG. 5 is bottom perspective view; and,

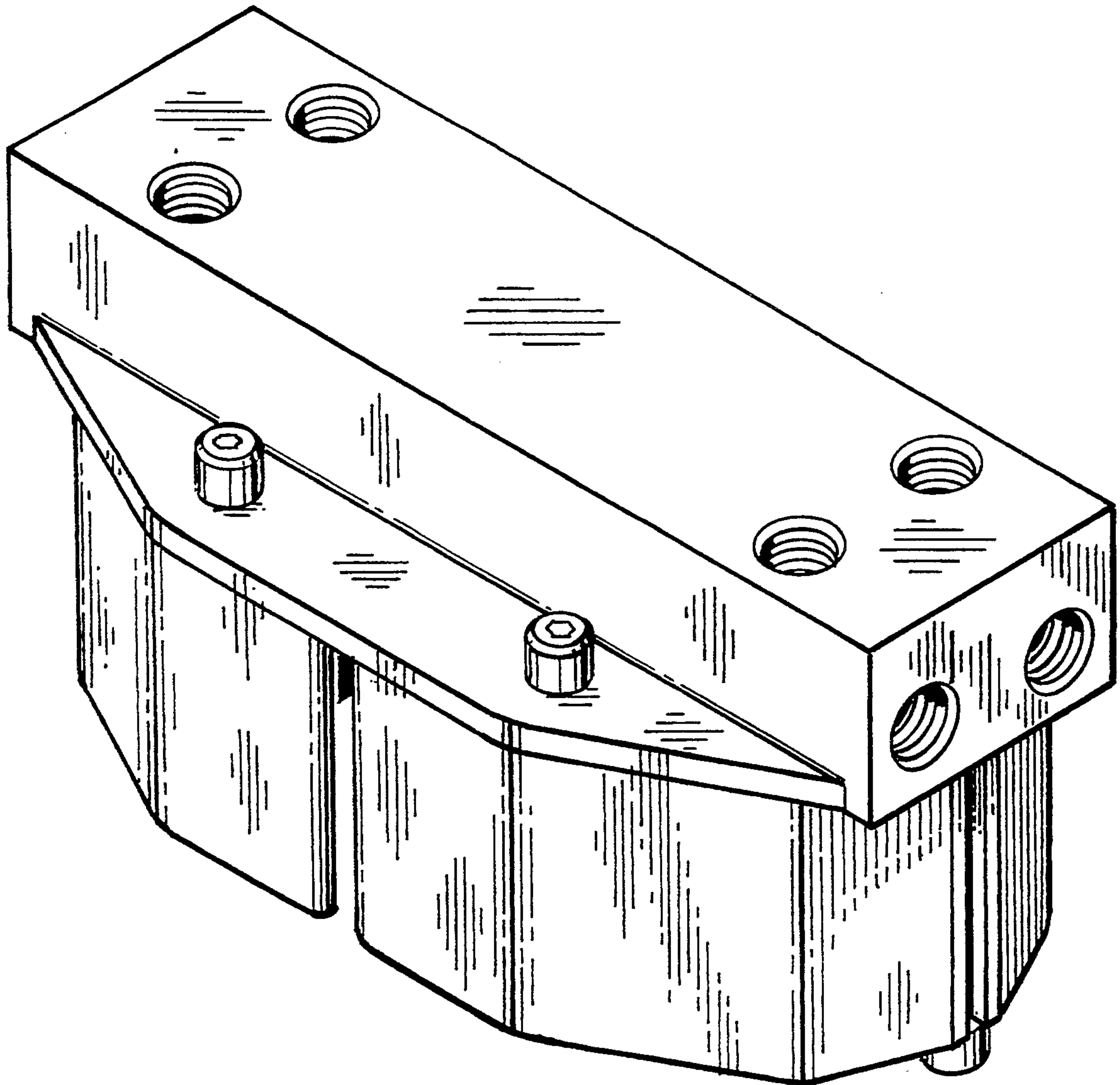
FIG. 6 is a bottom plan view.

The broken line showing of a drive mechanism in FIG. 4 is for illustrative purposes only and forms no parts of the claimed design.

[56] **References Cited**

U.S. PATENT DOCUMENTS

D. 327,273 6/1992 Cadotte et al. D15/7
3,545,897 12/1970 Russell 417/360



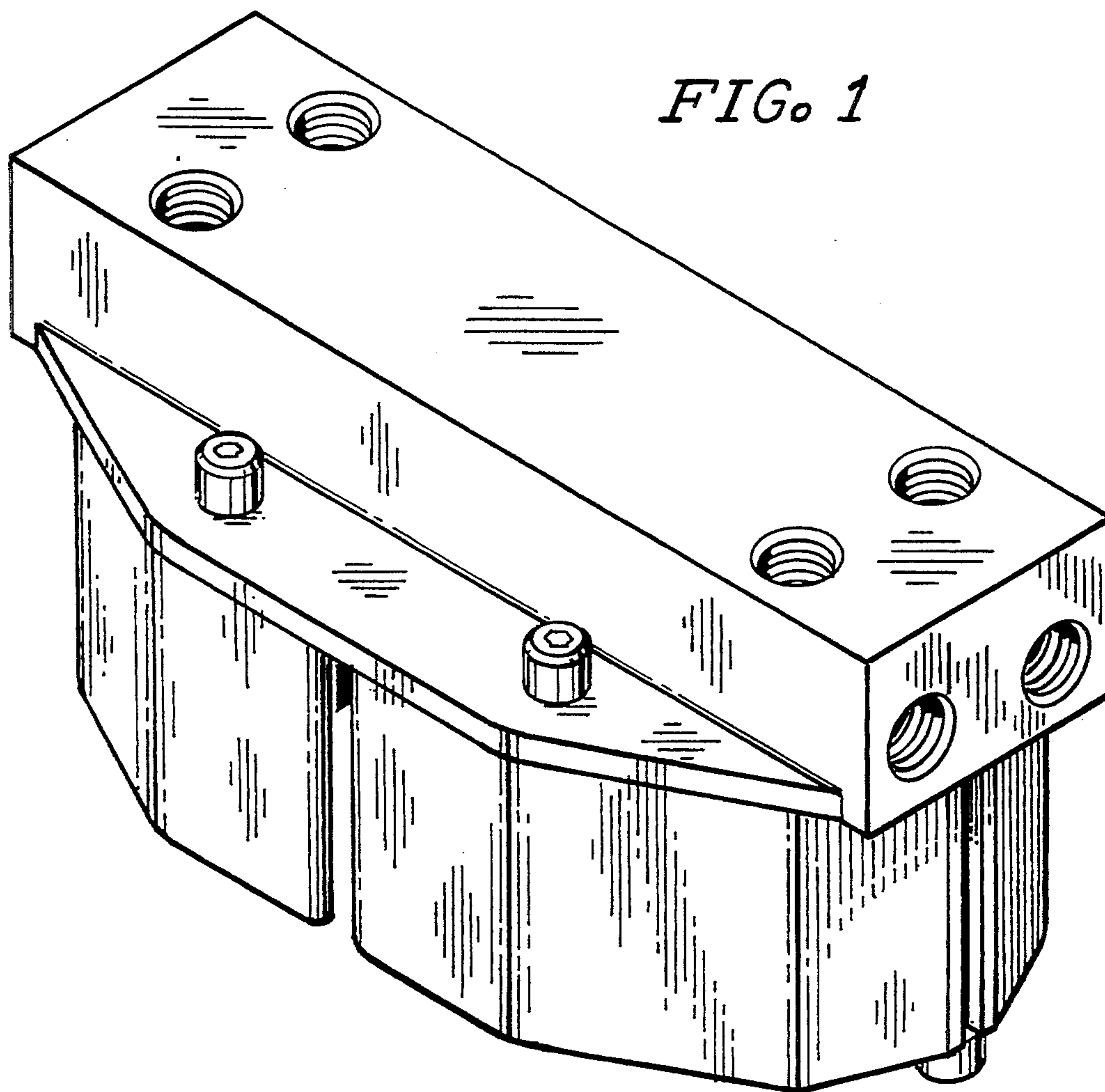


FIG. 2

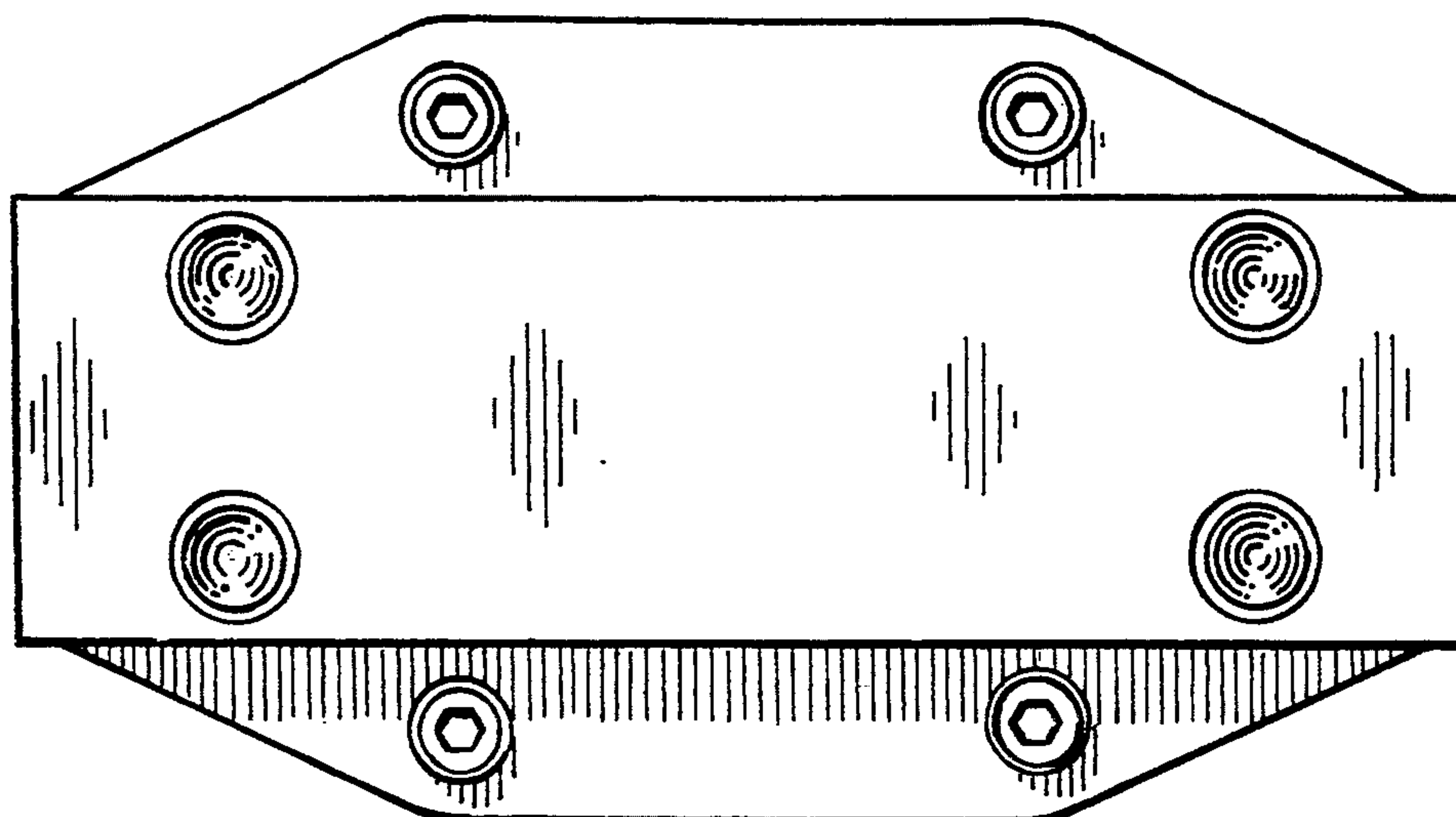


FIG. 3

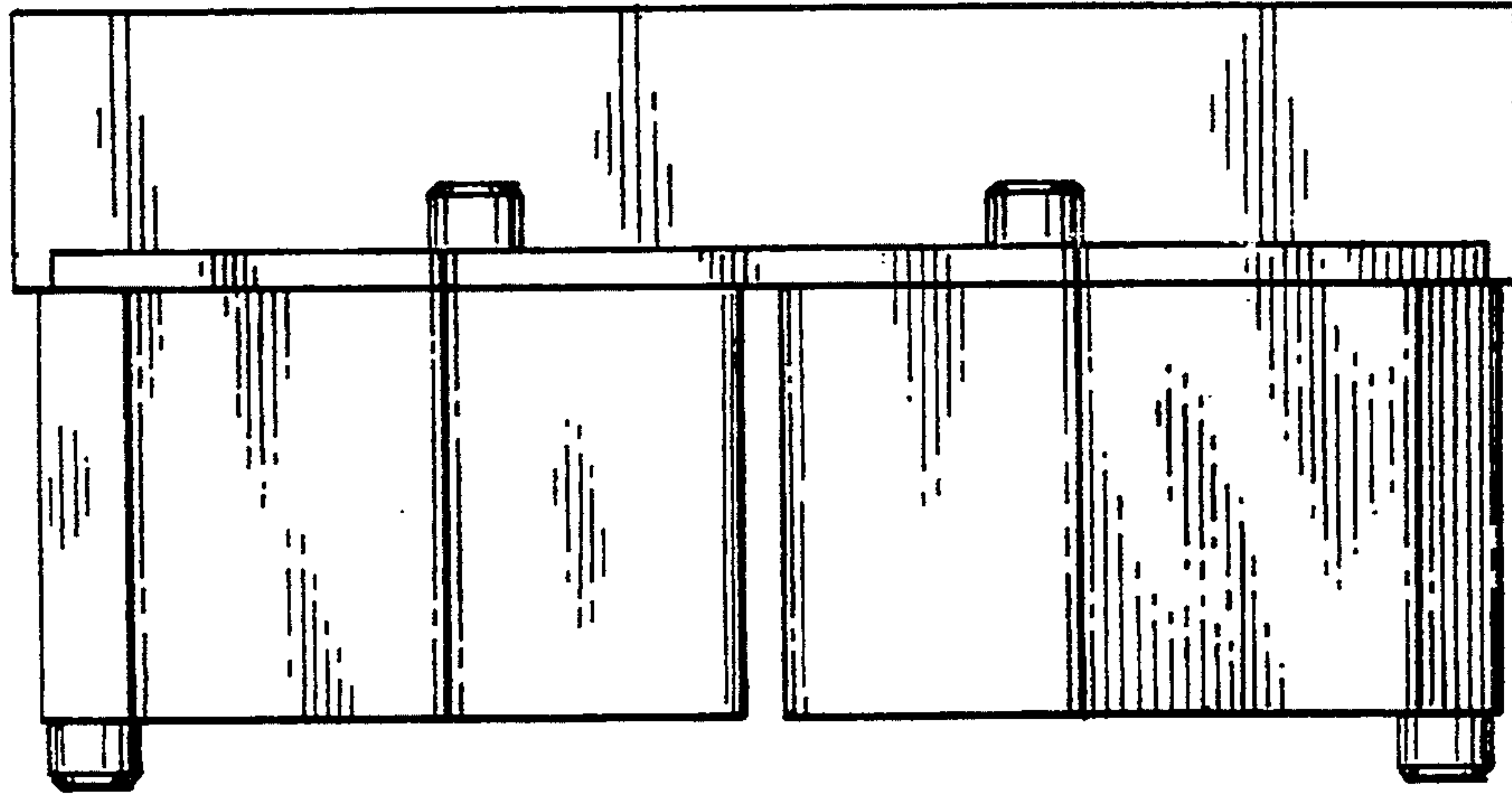


FIG. 4

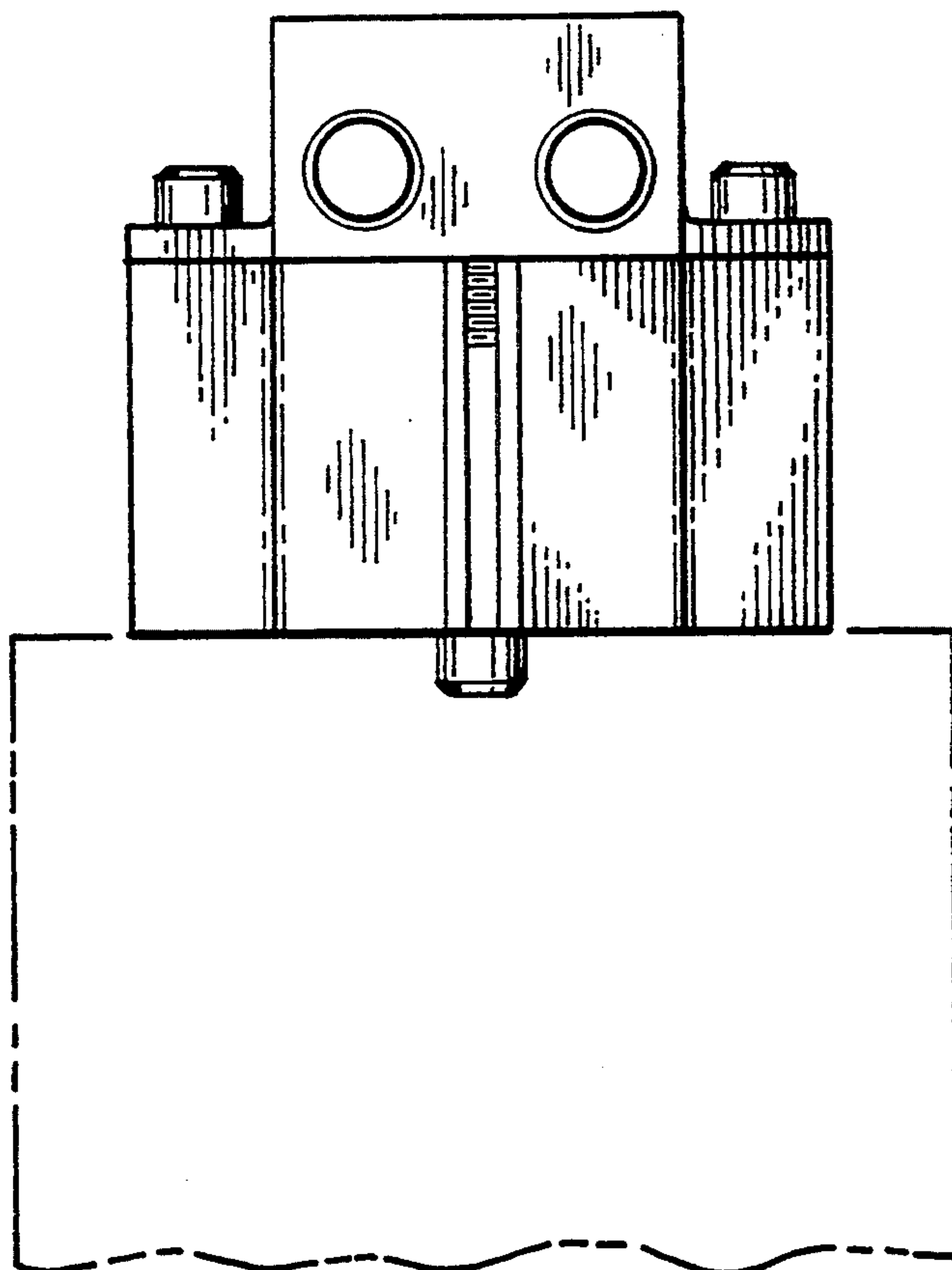


FIG. 5

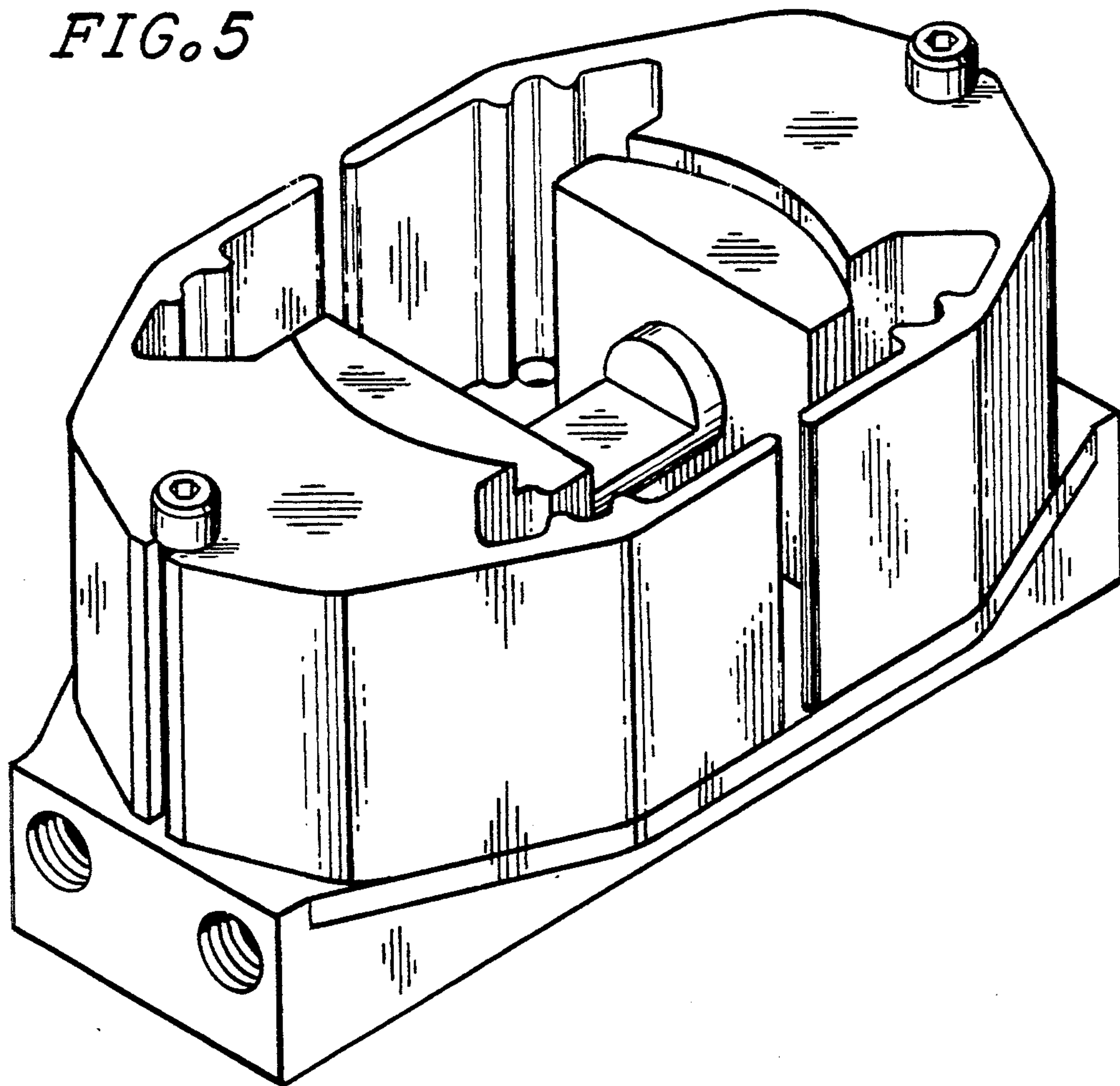


FIG. 6

