



US00D352720S

United States Patent [19]

[11] Patent Number: **Des. 352,720**

Gildersleeve et al.

[45] Date of Patent: **** Nov. 22, 1994**

[54] **COMPRESSOR SHROUD**

D. 268,585	4/1983	Drakulic	D15/5
D. 315,911	4/1991	Campbell	D15/7
D. 322,790	12/1991	Bekcius	D15/1

[75] Inventors: **Mark D. Gildersleeve**, Charlotte;
Russell D. Richardson, Mooresville,
both of N.C.

Primary Examiner—Ralf T. Seifert
Attorney, Agent, or Firm—Victor M. Genco, Jr.

[73] Assignee: **Ingersoll-Rand Company**, Woodcliff
Lake, N.J.

[57] **CLAIM**

[**] Term: **14 Years**

The ornamental design for a compressor shroud, as shown and described.

[21] Appl. No.: **12,158**

DESCRIPTION

[22] Filed: **Aug. 25, 1993**

FIG. 1 is a front elevational view of a compressor shroud showing the new design; FIG. 2 is a top view thereof; FIG. 3 is a bottom view thereof; FIG. 4 is a rear view thereof; and, FIG. 5 is a left side view thereof, which is a mirror image of the opposite right side not shown. The broken line showing of a mounting tab in FIGS. 2 and 3 is for illustrative purposes only and forms no part of the claimed design.

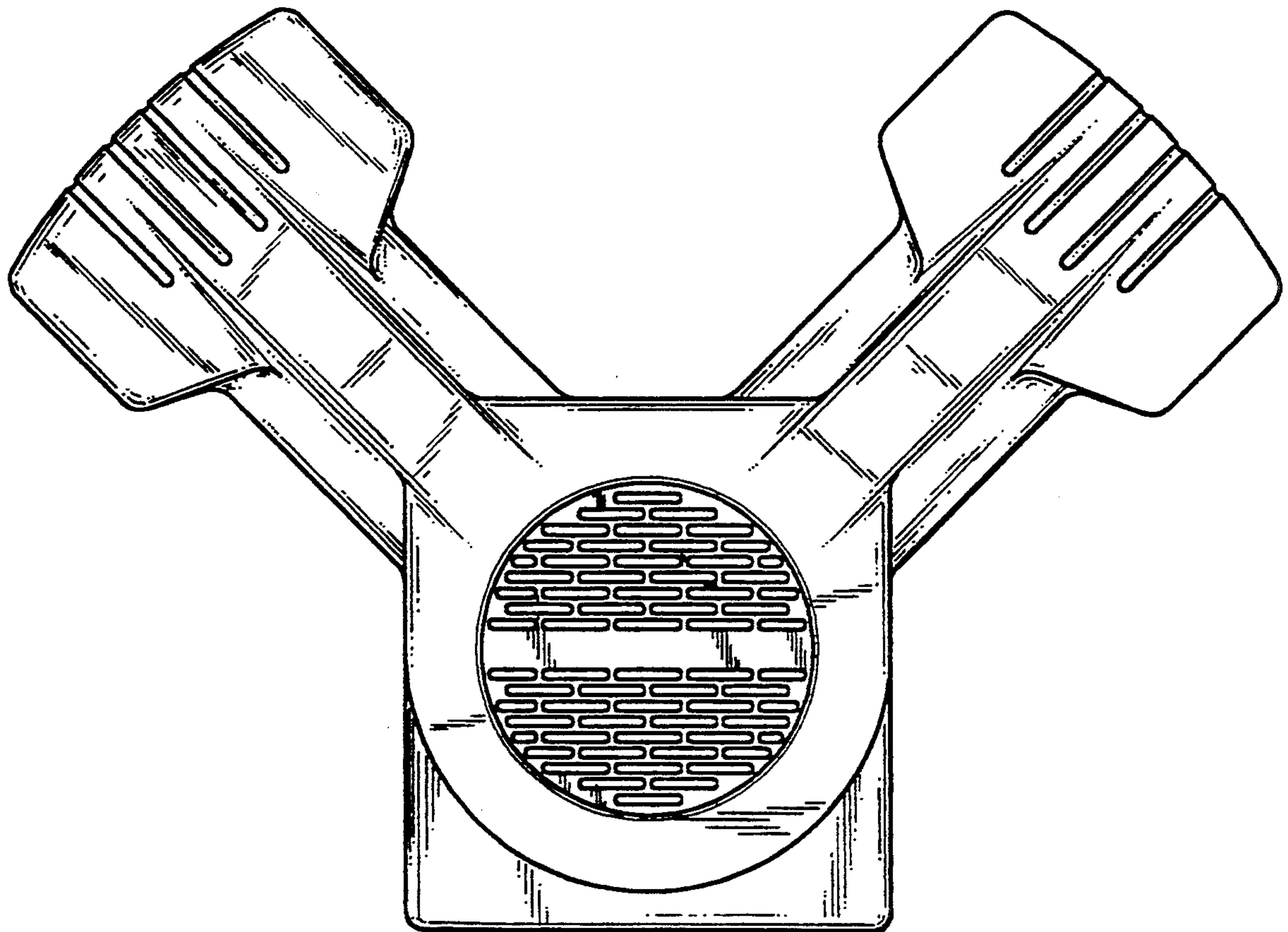
[52] U.S. Cl. **D15/7**

[58] Field of Search 415/200, 201, 213.1;
D15/7-9.1

[56] **References Cited**

U.S. PATENT DOCUMENTS

D. 249,264	9/1978	Bingler	D15/7
D. 259,490	6/1981	Feuling	D15/5



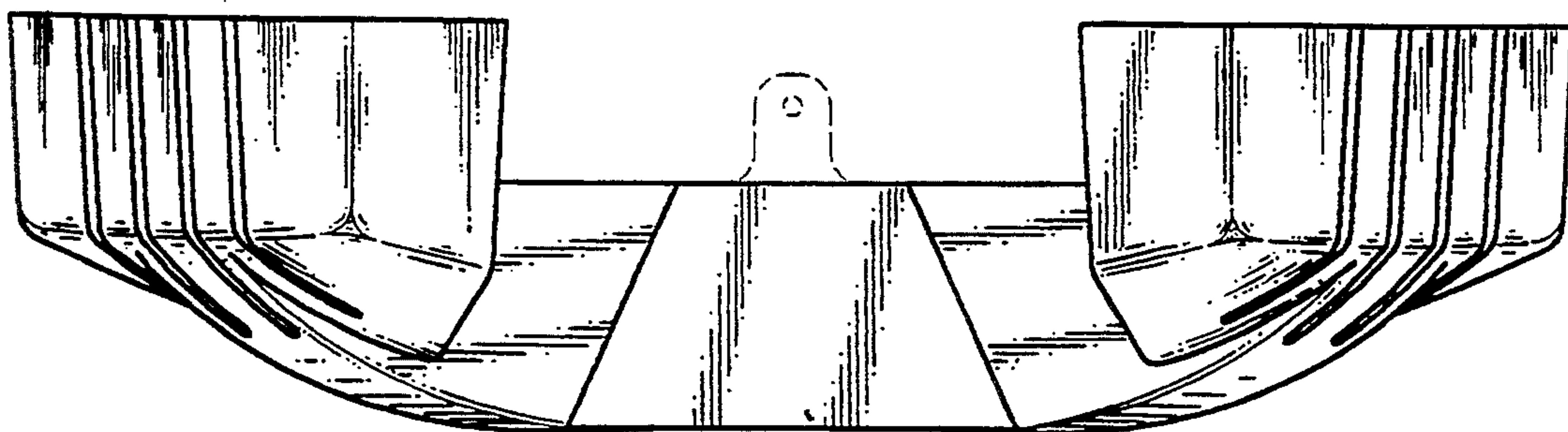


FIG. 2

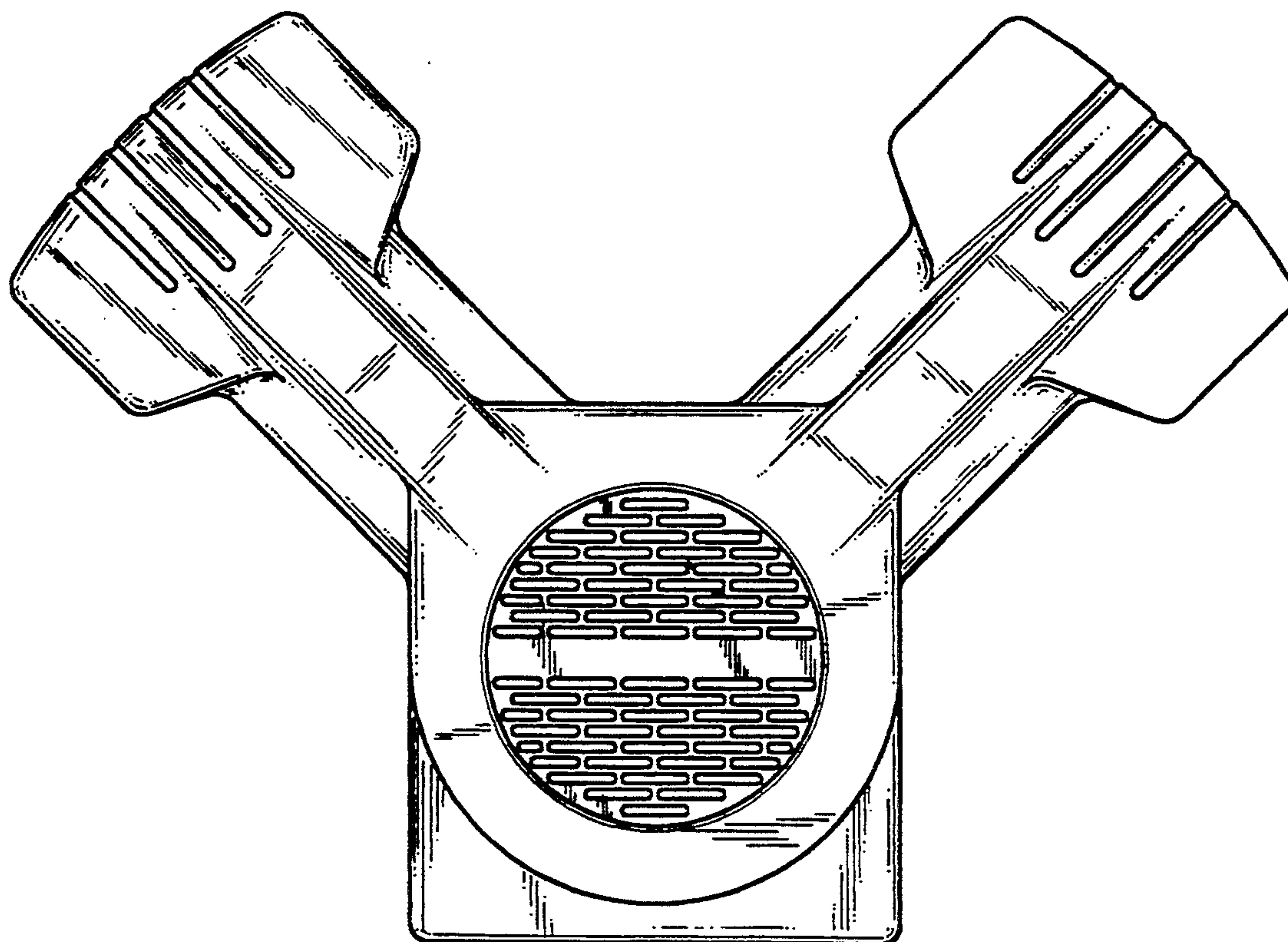


FIG. 1

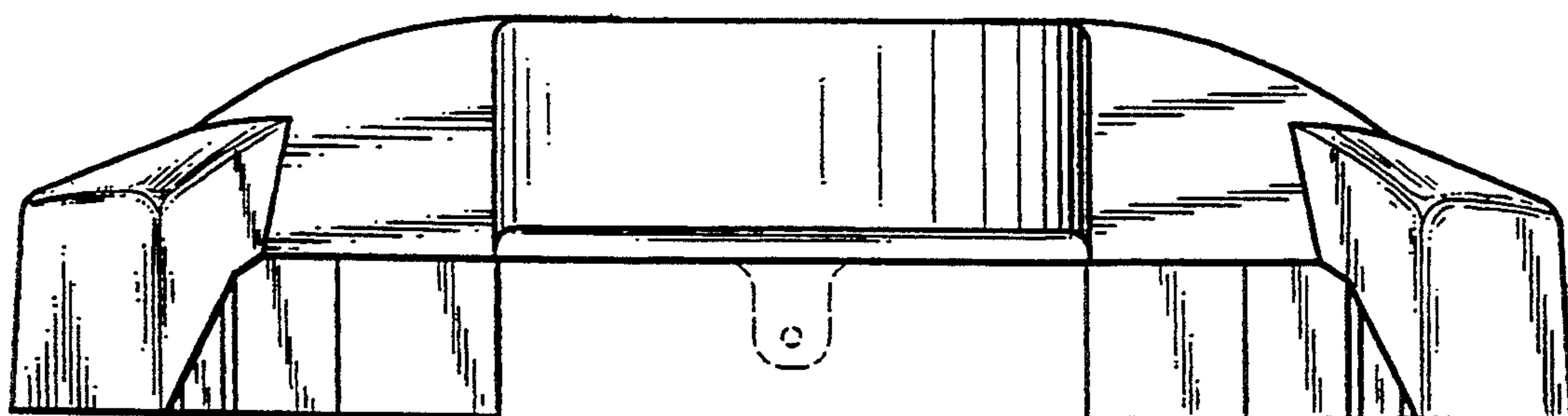


FIG. 3

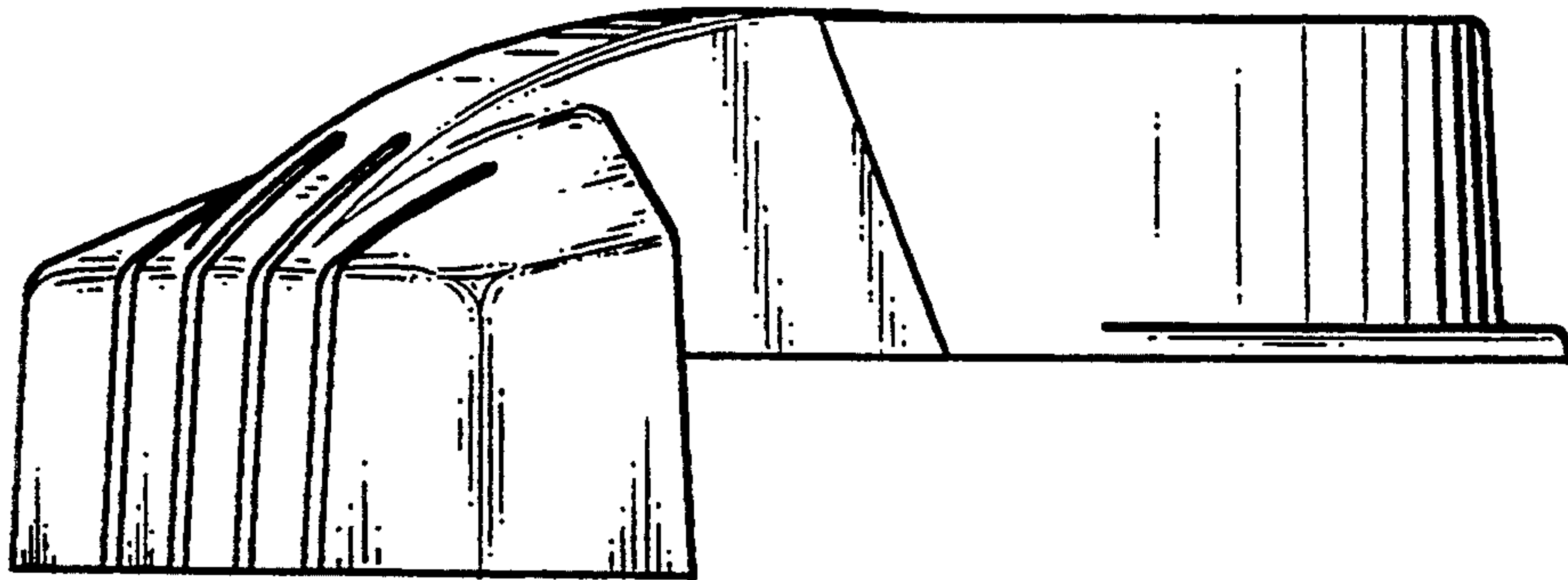


FIG. 5

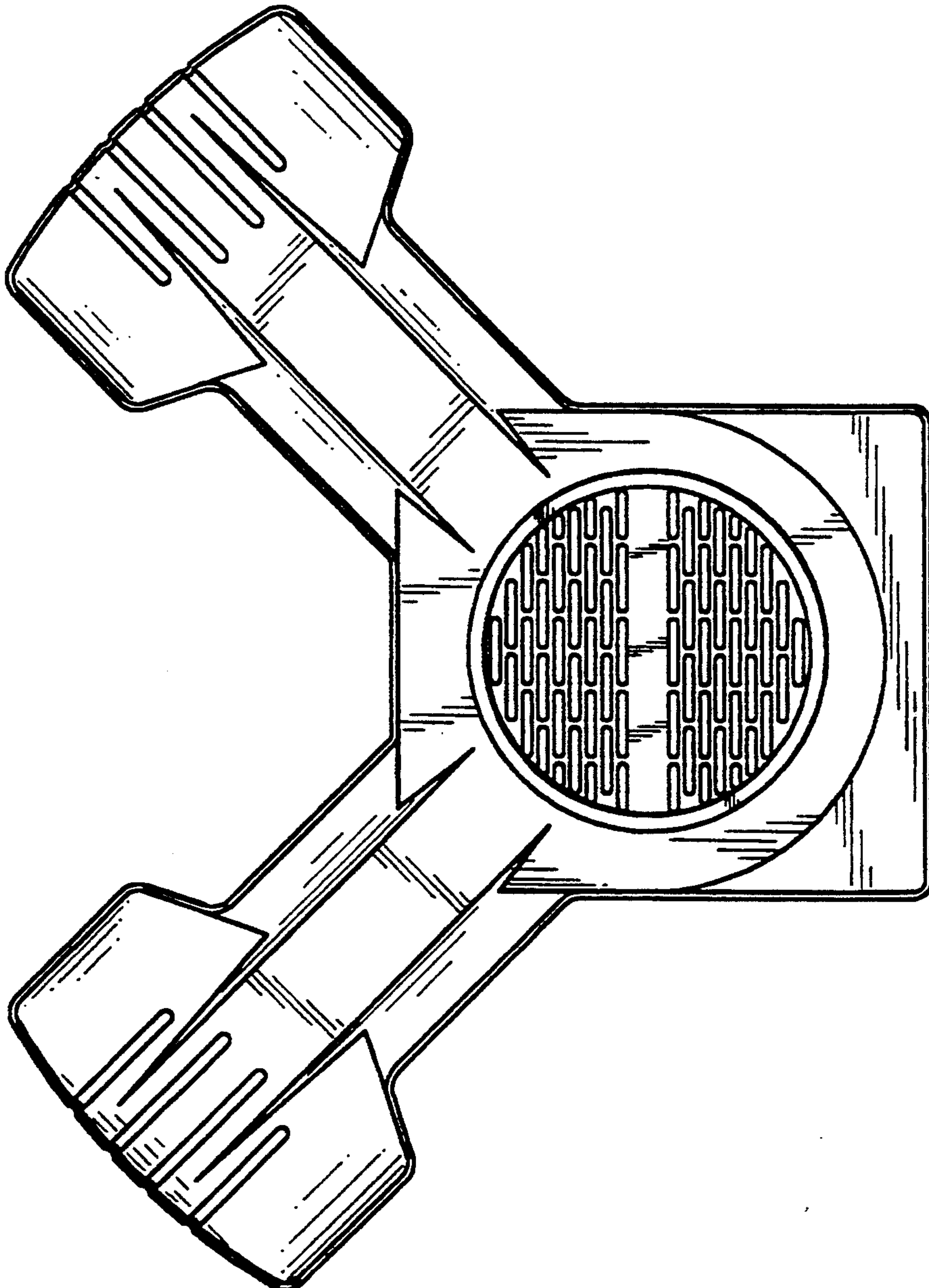


FIG. 4