



US00D352706S

# United States Patent [19] Hong

[11] Patent Number: Des. 352,706

[45] Date of Patent: \*\* Nov. 22, 1994

- [54] HELMET MOUNTED TRANSCEIVER
- [75] Inventor: Scott S. Hong, Cerritos, Calif.
- [73] Assignee: Hong Jin Crown America, Inc., Santa Fe Springs, Calif.
- [\*\*] Term: 14 Years
- [21] Appl. No.: 2,876
- [22] Filed: Dec. 22, 1992
- [52] U.S. Cl. .... D14/137; D14/192
- [58] Field of Search ..... 455/73, 89, 90, 350; D14/124, 137, 138, 155, 159, 299, 192

[56] **References Cited**

**U.S. PATENT DOCUMENTS**

D. 306,725	3/1990	Tanaka	.....	D14/137
D. 310,523	9/1990	Hino et al.	.....	D14/137
D. 341,137	11/1993	Hattori	.....	D14/137
3,249,873	5/1966	Whittemore, Jr. et al.	....	455/350 X
4,833,726	5/1989	Shinoda et al.	.....	455/89
5,142,700	8/1992	Reed	.....	455/90 X
5,251,326	10/1993	Silverman	.....	455/90 X

*Primary Examiner*—Theodore M. Shooman  
*Attorney, Agent, or Firm*—Poms, Smith, Lande & Rose

[57] **CLAIM**

The ornamental design for a helmet mounted transceiver, as shown and described.

**DESCRIPTION**

FIG. 1 is a top, front and right side perspective view of a helmet mounted transceiver showing my new design; FIG. 2 is a top, front and right side perspective view thereof;

FIG. 3 is a right side elevational view thereof;

FIG. 4 is a front elevational view thereof;

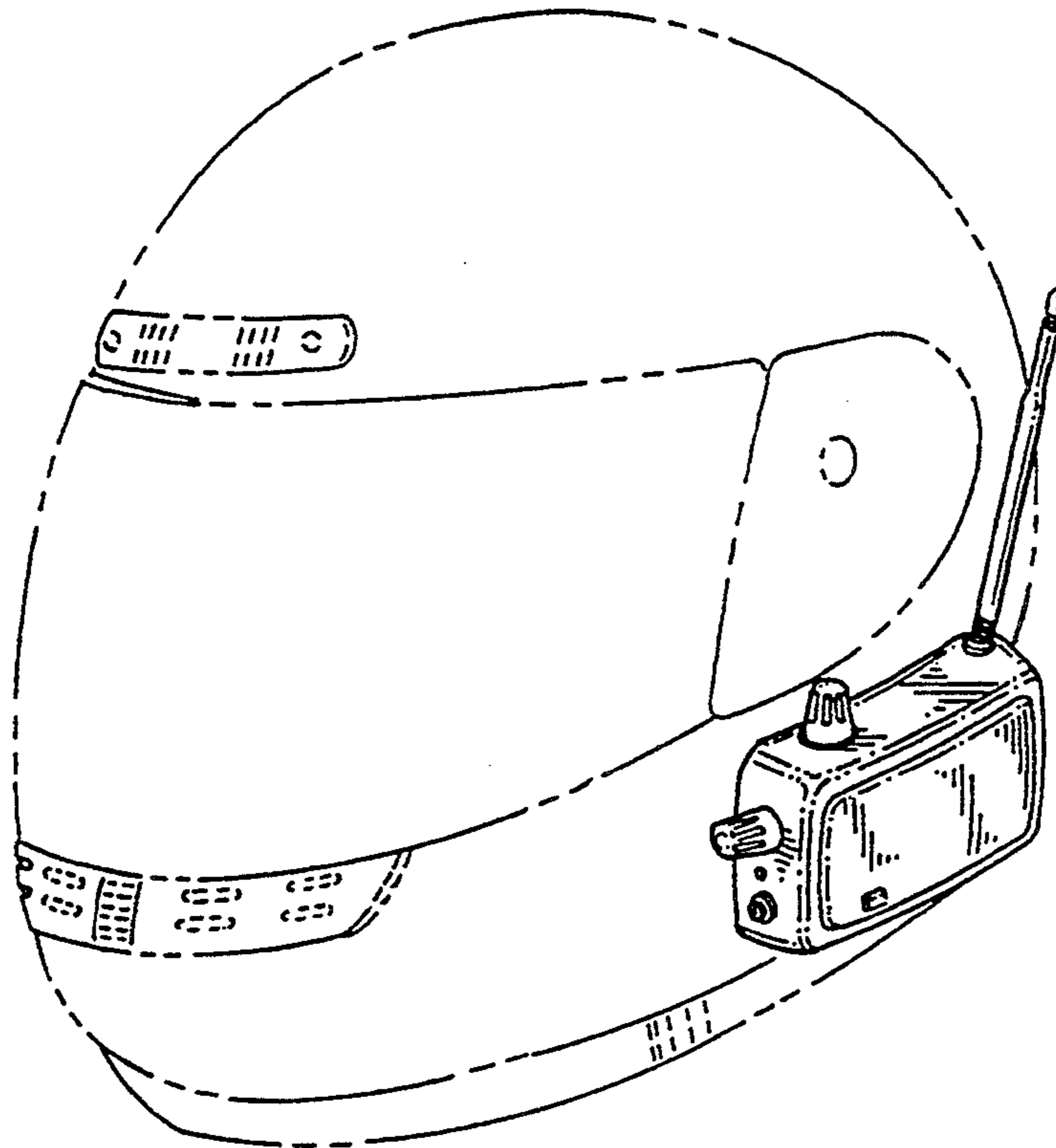
FIG. 5 is a rear elevational view thereof;

FIG. 6 is a left side elevational view thereof;

FIG. 7 is a top plan view thereof; and,

FIG. 8 is a bottom plan view thereof.

The broken line showings of the motorcycle helmet in FIG. 1 and the power cord in FIG. 2 are for illustrative purposes only and form no part of the claimed design. The antenna is broken away in FIGS. 4 and 5 for ease of illustration.



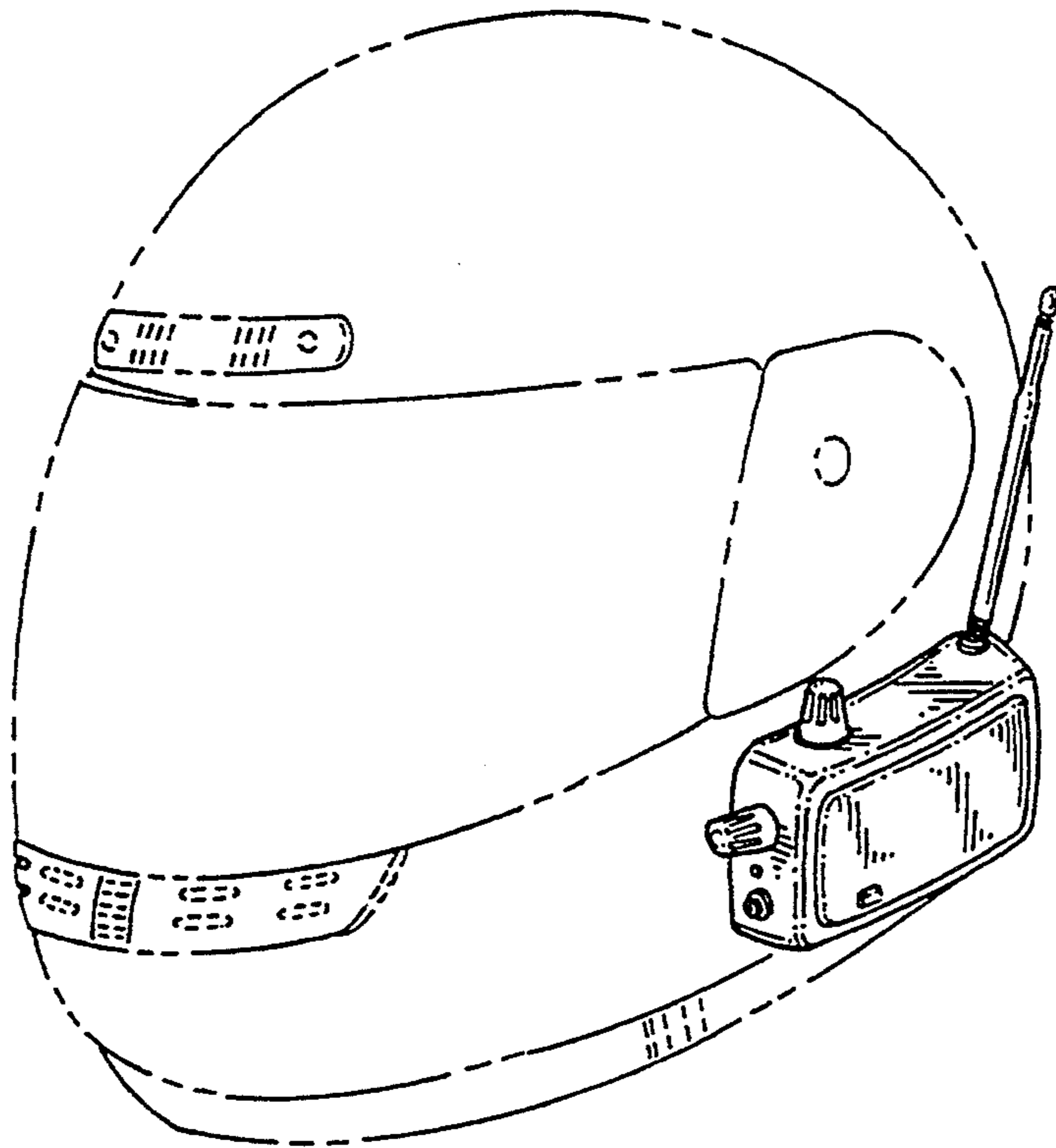


FIG. 1

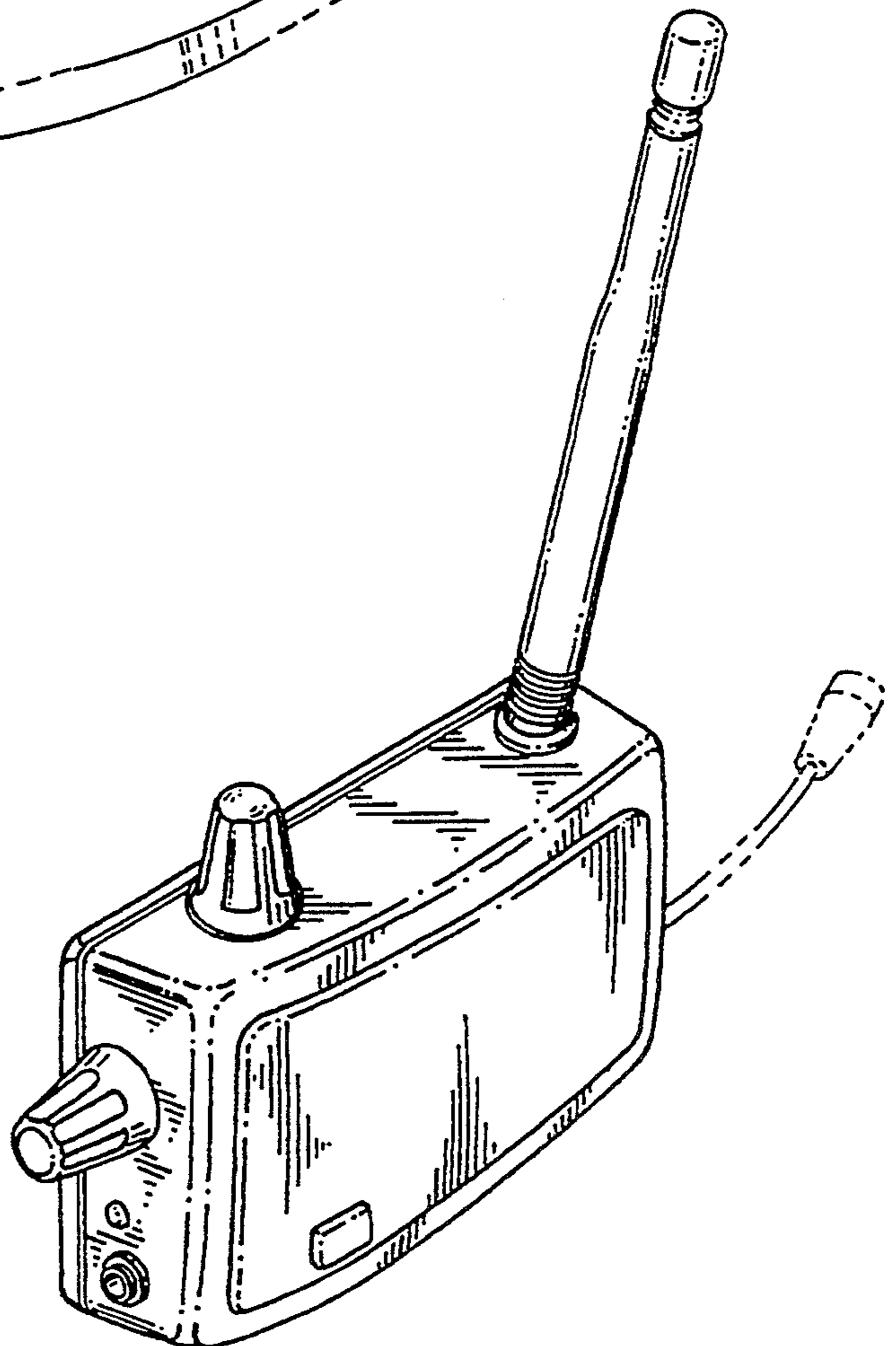


FIG. 2

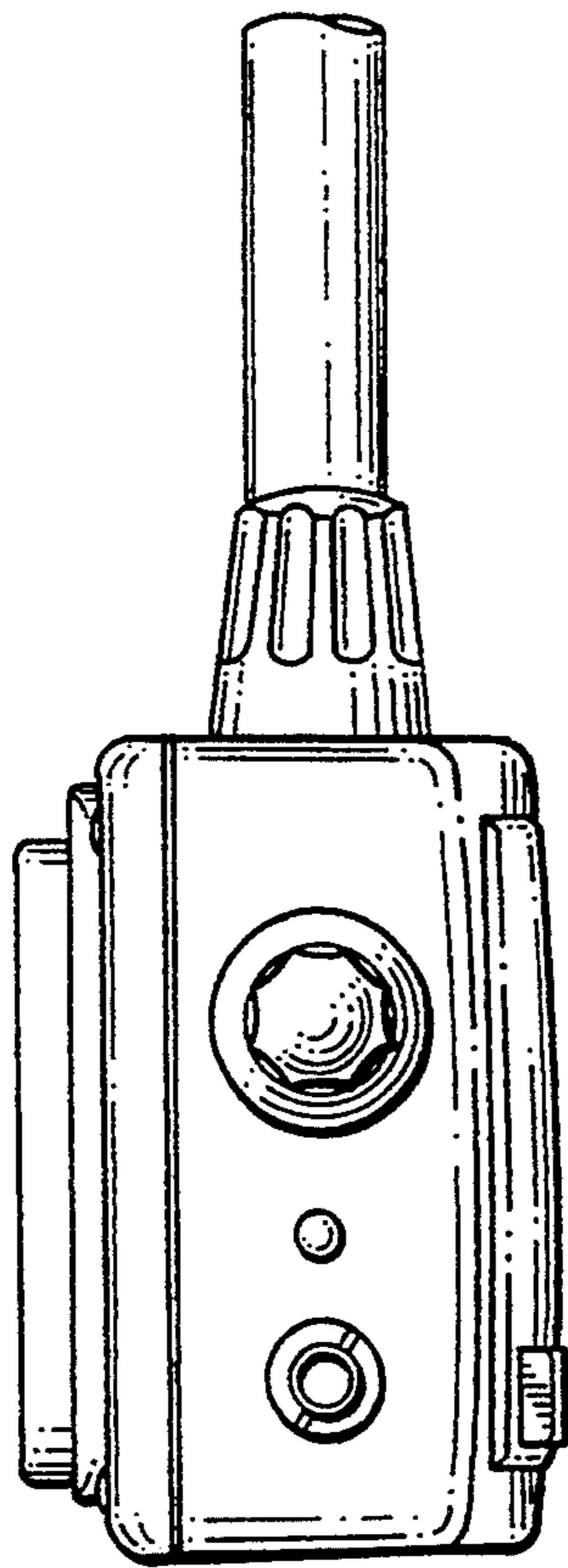


FIG. 4

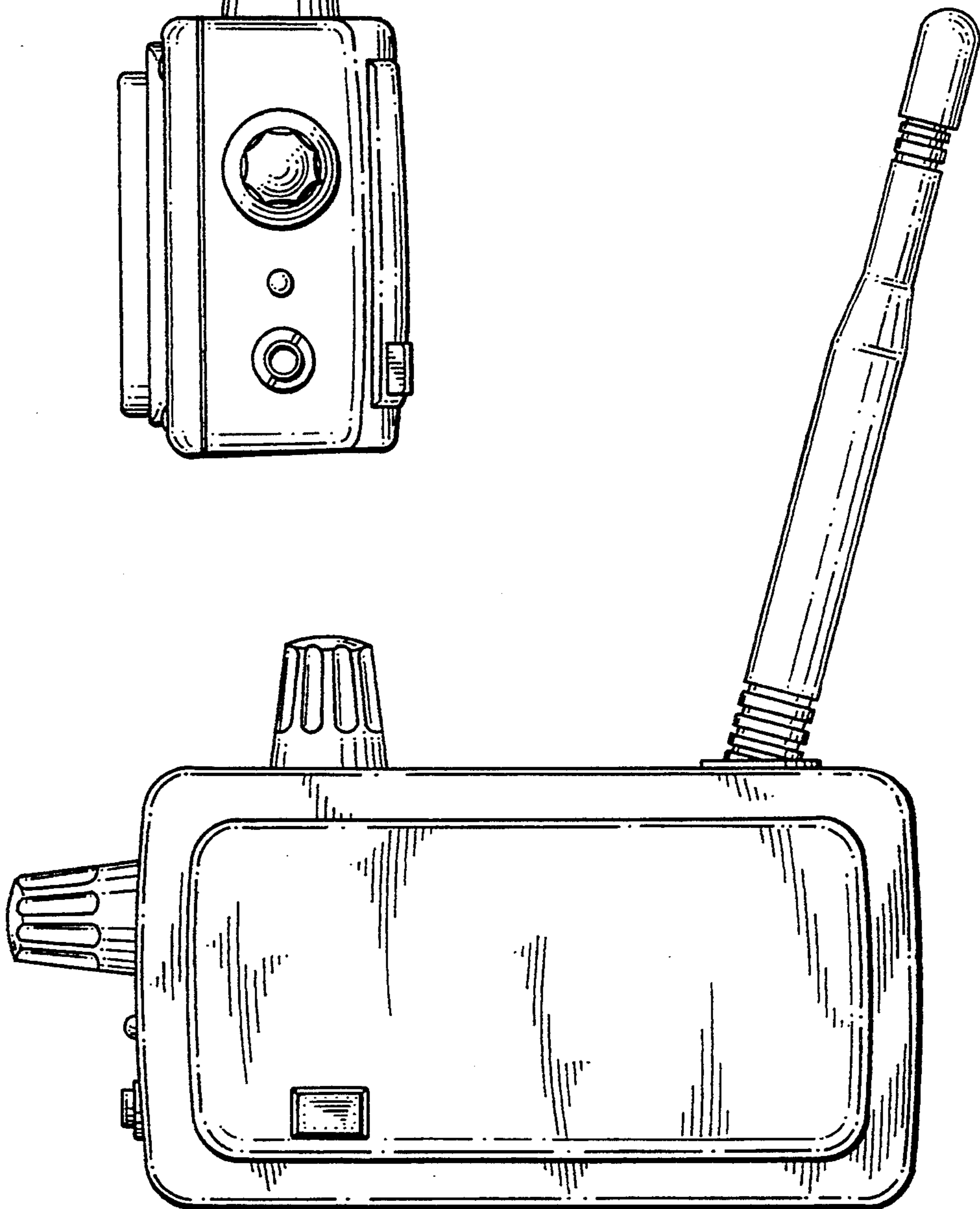


FIG. 3

FIG. 5

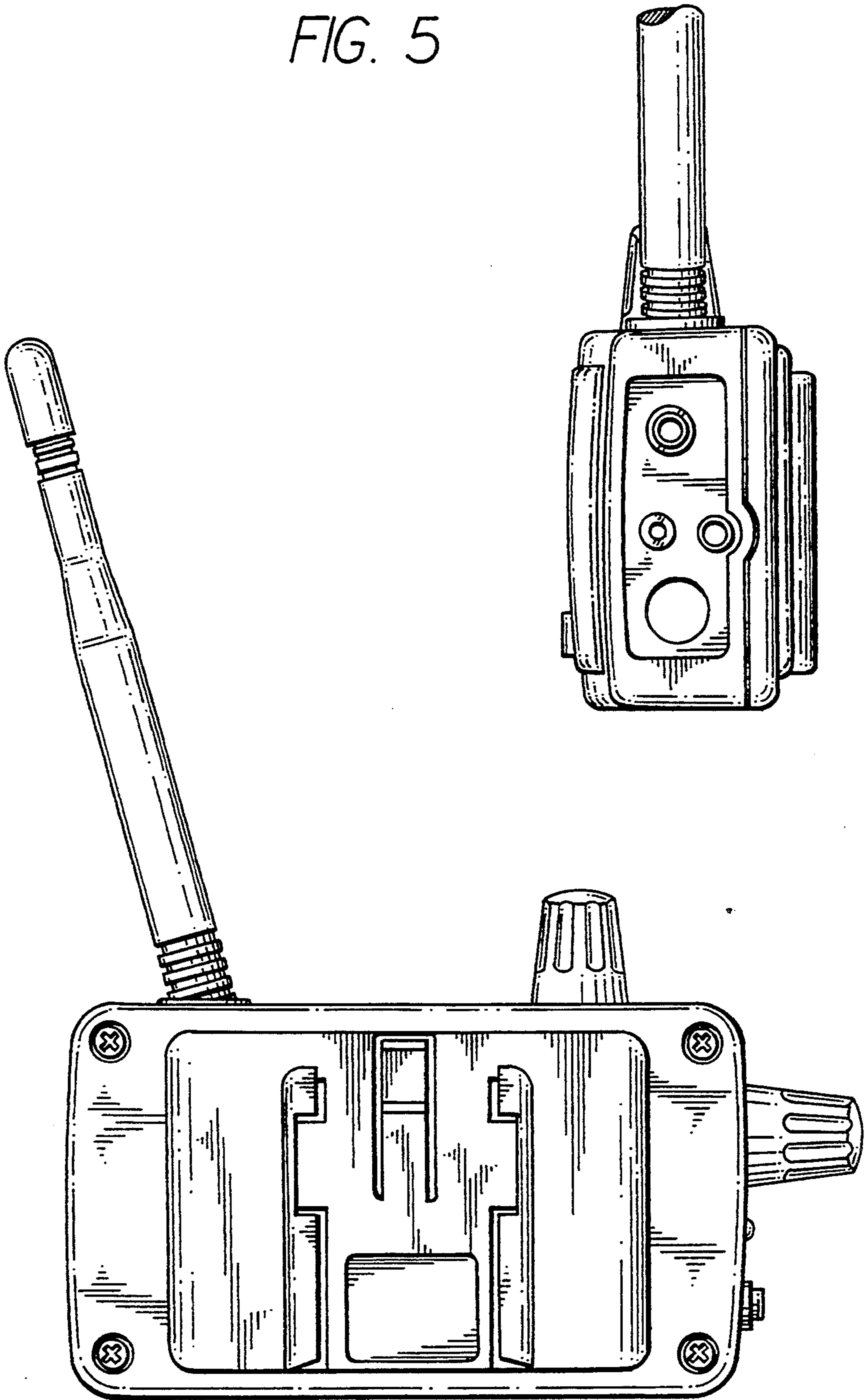


FIG. 6

FIG. 7

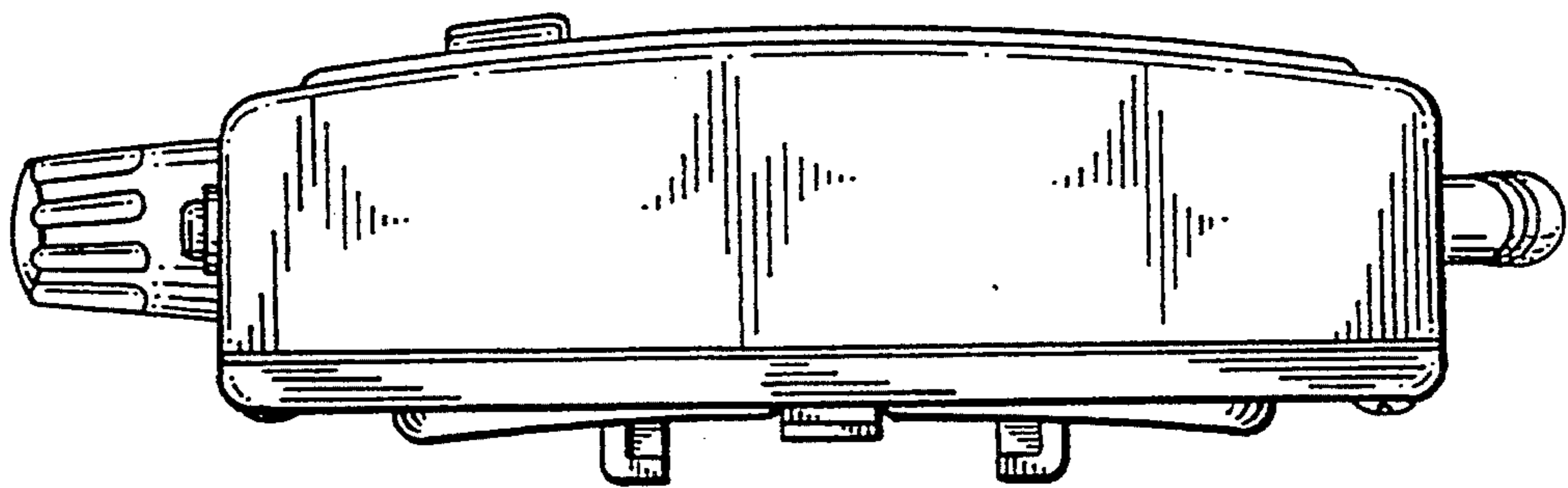
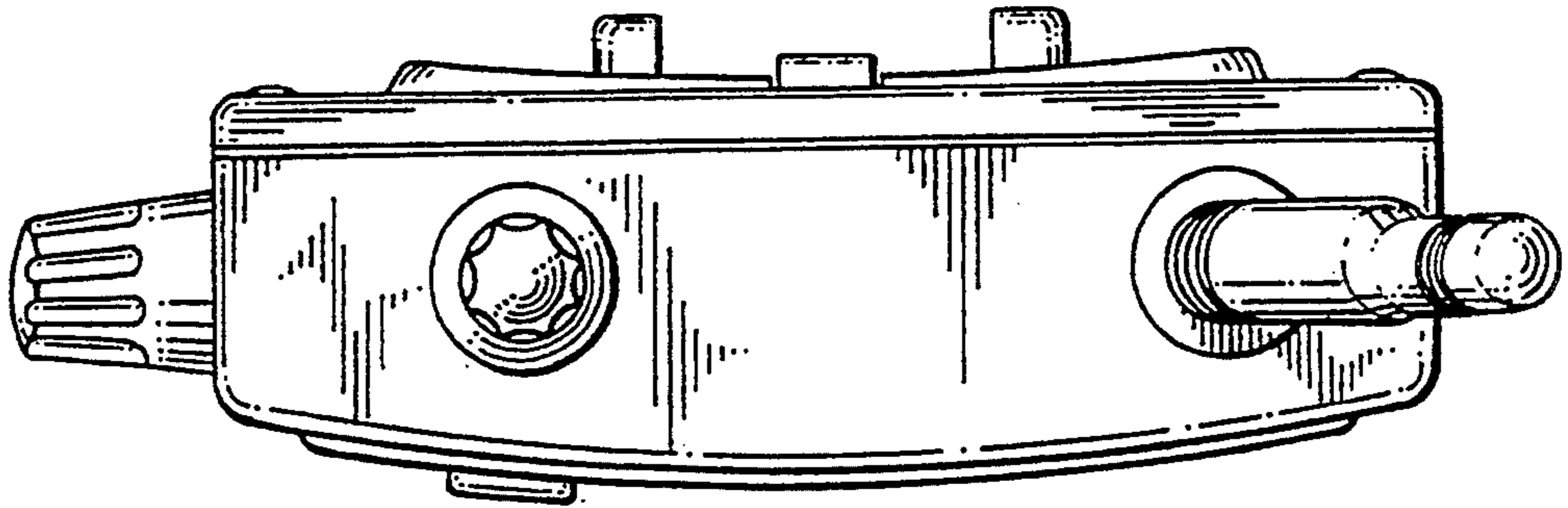


FIG. 8