



US00D352698S

# United States Patent [19] Okumura

[11] Patent Number: **Des. 352,698**

[45] Date of Patent: **\*\* Nov. 22, 1994**

[54] **DESIGN FOR BATTERY PACK**

[75] Inventor: **Michio Okumura, Anjo, Japan**

[73] Assignee: **Makita Corporation, Anjo, Japan**

[\*] Notice: The portion of the term of this patent subsequent to Nov. 28, 2003 has been disclaimed.

[\*\*] Term: **14 Years**

[21] Appl. No.: **13,643**

[22] Filed: **Sep. 29, 1993**

[30] **Foreign Application Priority Data**

Apr. 12, 1993 [JP] Japan ..... 5-10781

[52] U.S. Cl. .... **D13/103**

[58] Field of Search ..... 429/7, 96, 97, 99, 100, 429/123, 163; 320/2; D13/103

[56] **References Cited**

**U.S. PATENT DOCUMENTS**

- D. 304,822 11/1989 Fushiya et al. .... D13/103
- D. 306,573 3/1990 Schultz ..... D13/103
- D. 306,574 3/1990 Schultz ..... D13/103

- D. 313,391 1/1991 Pudwill ..... D13/103
- D. 334,012 3/1993 Chen ..... D13/103
- D. 342,479 12/1993 Kimata ..... D13/103
- 5,213,913 5/1993 Anthony, III et al. .... 429/123 X

**OTHER PUBLICATIONS**

Makita Catalog, Dec. 1992, Japan, pp. 1, 2 & 4.

*Primary Examiner*—Wallace R. Burke

*Assistant Examiner*—Joel Sincavage

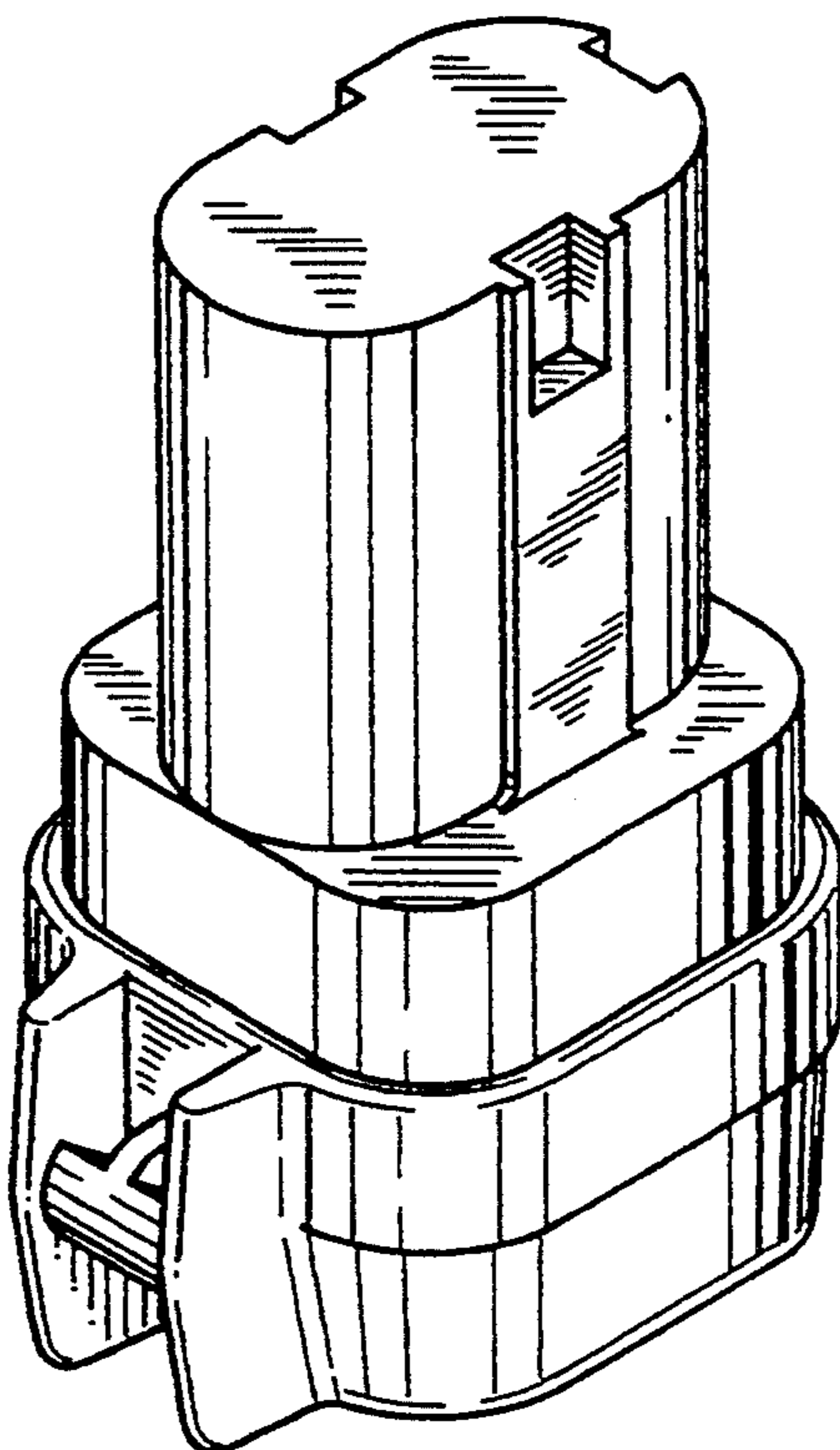
*Attorney, Agent, or Firm*—Dennison, Meserole, Pollack & Scheiner

[57] **CLAIM**

The ornamental design for a battery pack, as shown and described.

**DESCRIPTION**

FIG. 1 is a perspective view of a battery pack showing my new design;  
 FIG. 2 is a front elevational view thereof;  
 FIG. 3 is a rear elevational view thereof;  
 FIG. 4 is a left side elevational view thereof;  
 FIG. 5 is a right side elevational view thereof;  
 FIG. 6 is a top plan view thereof; and,  
 FIG. 7 is a bottom plan view thereof.



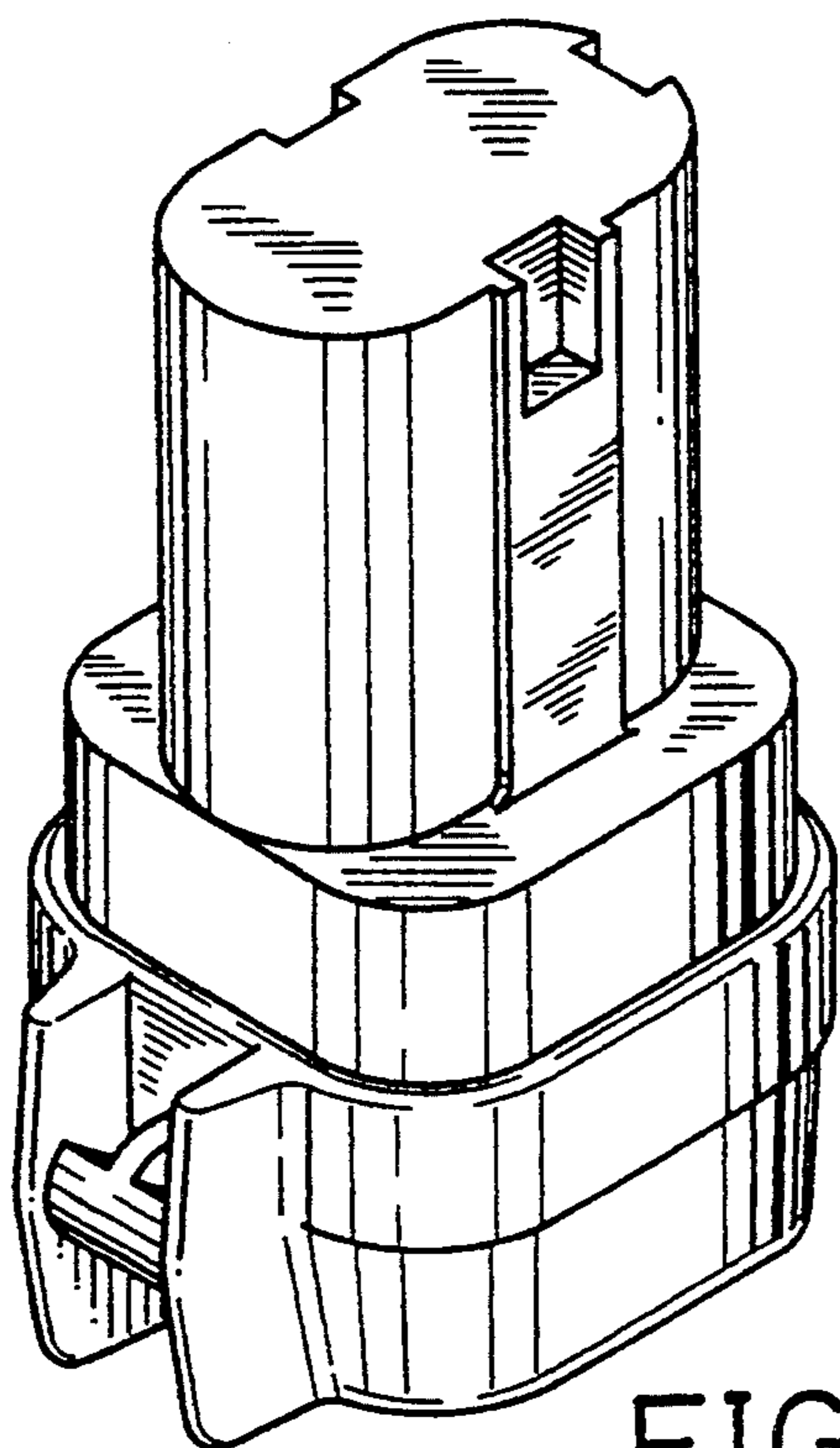


FIG. 1

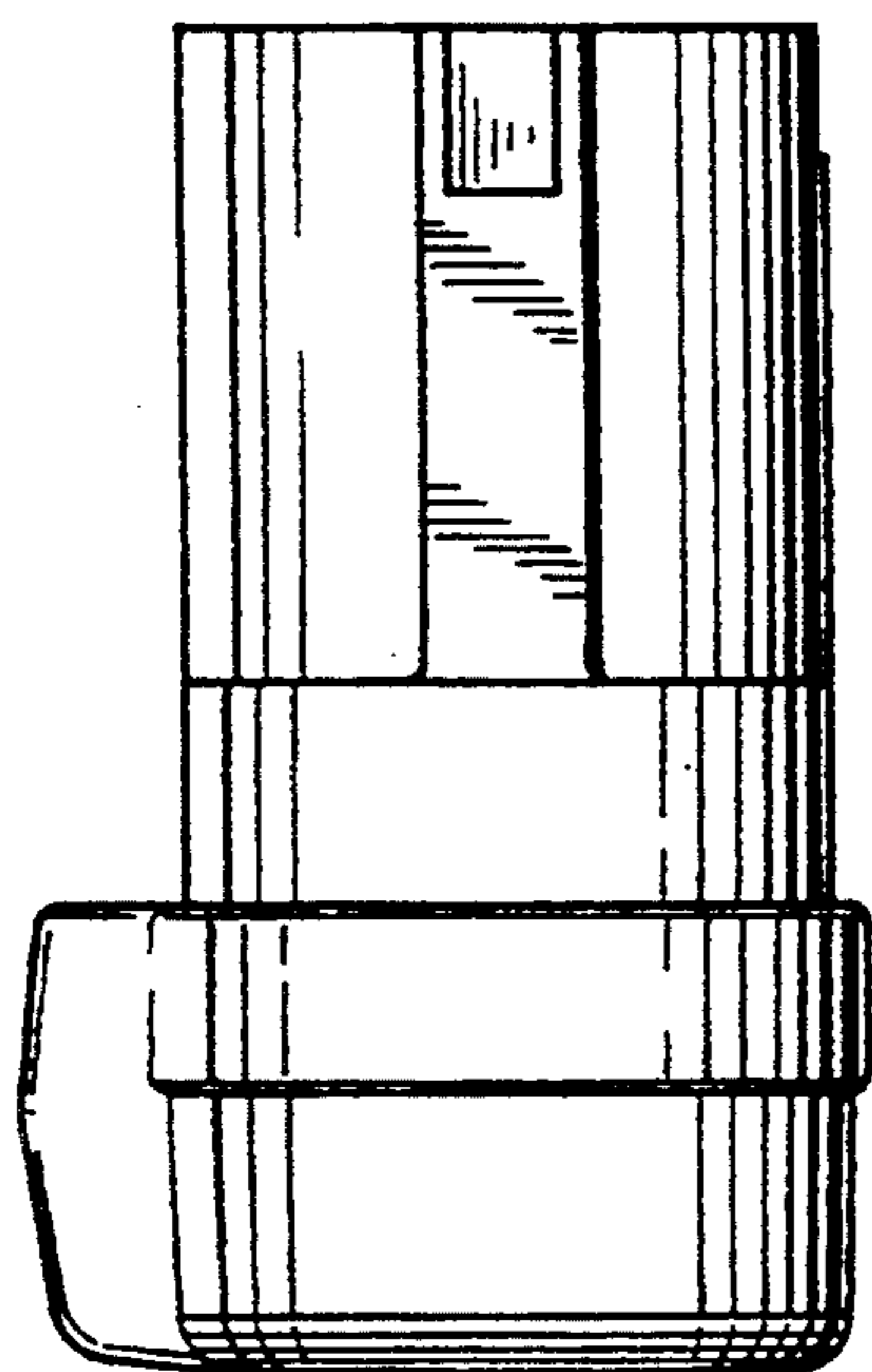


FIG. 2

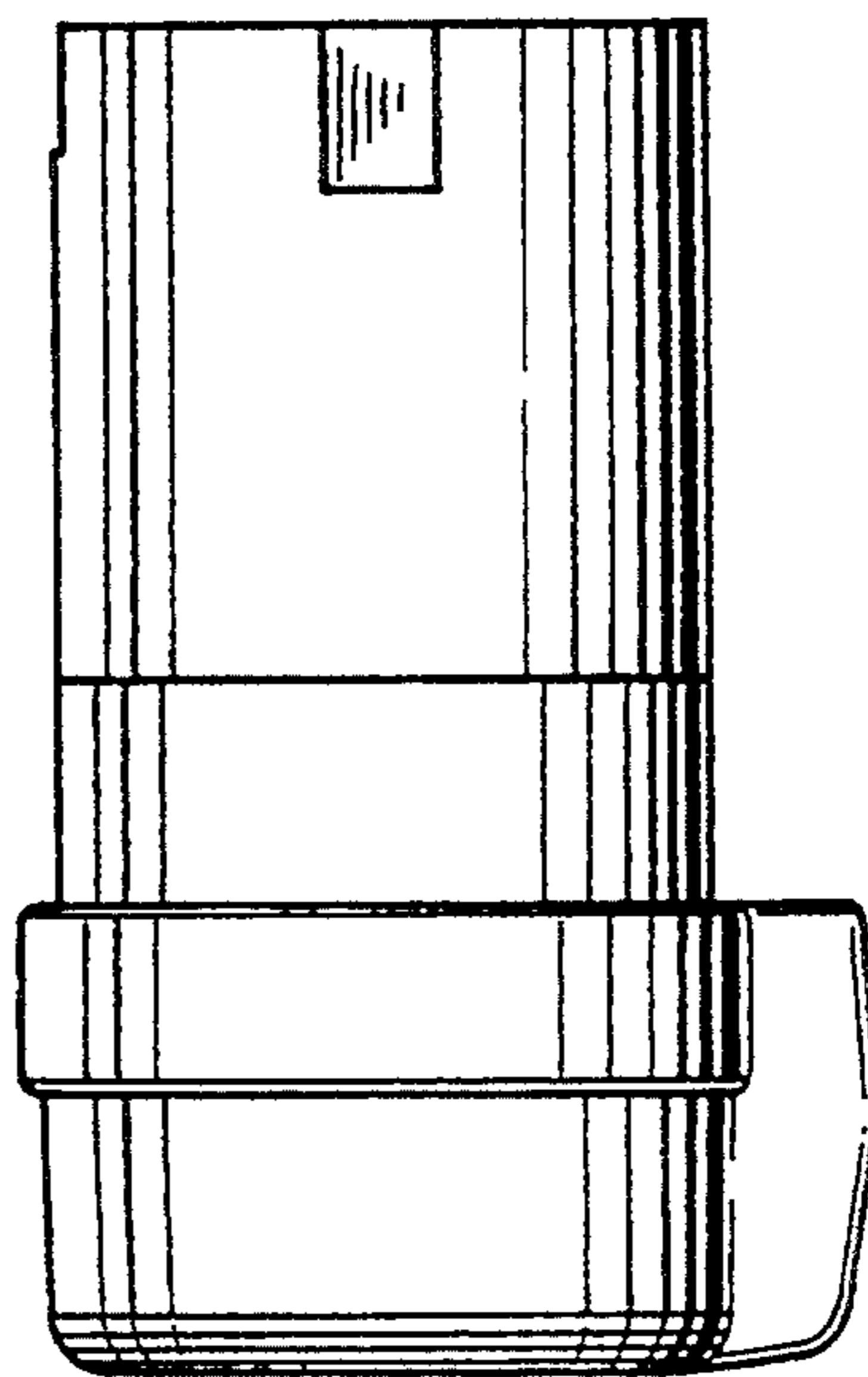


FIG. 3

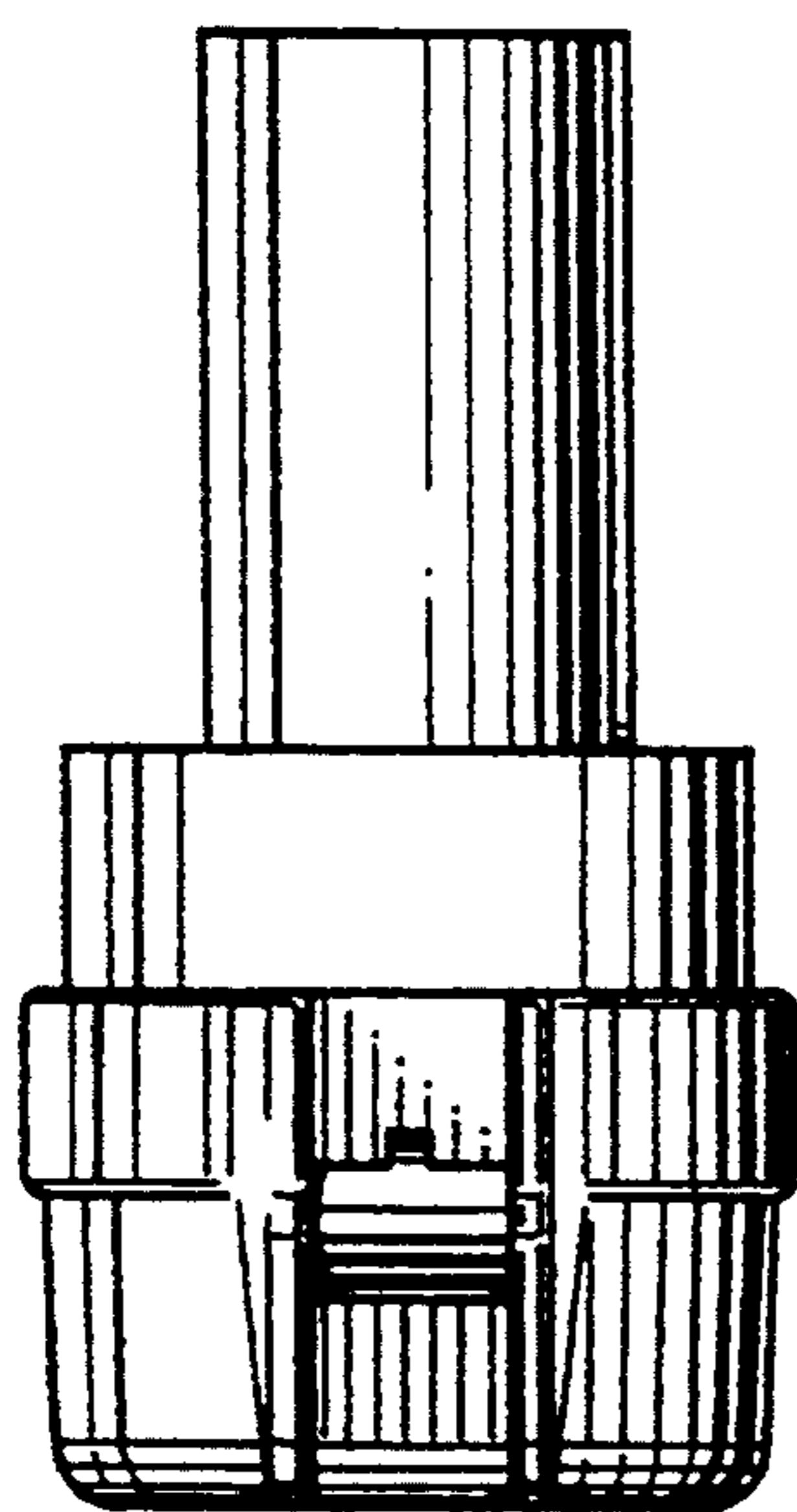


FIG. 4

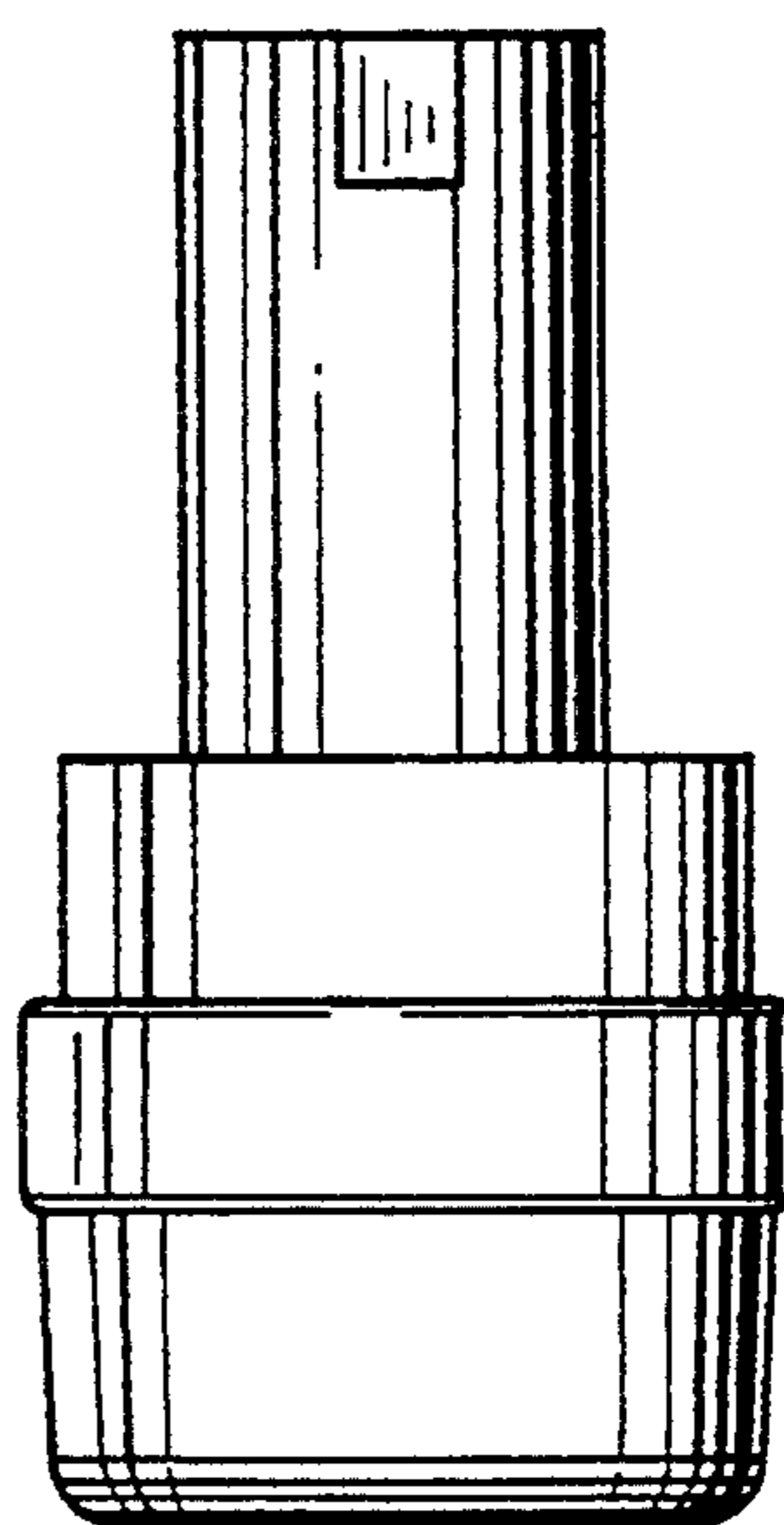


FIG. 5

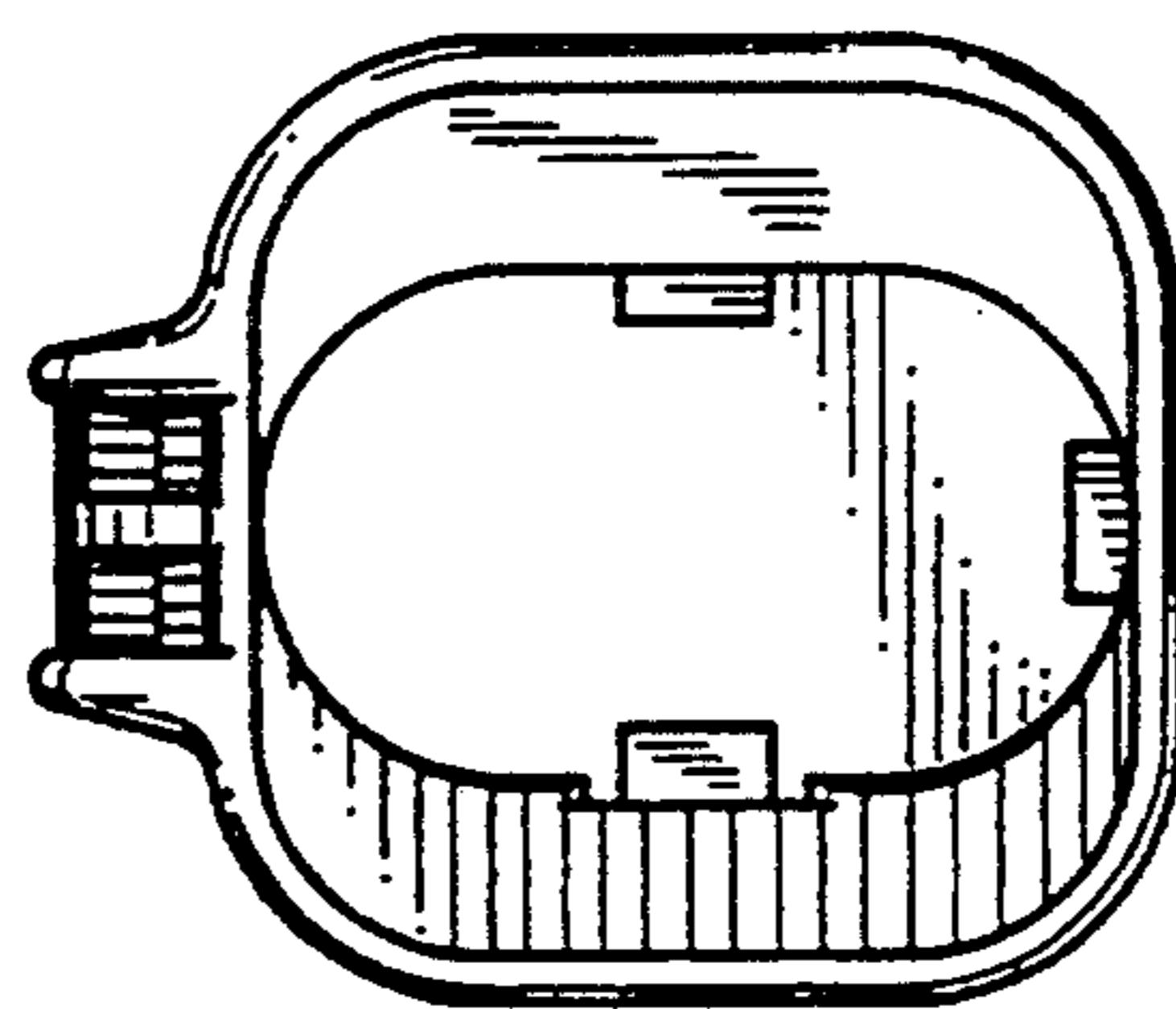


FIG. 6

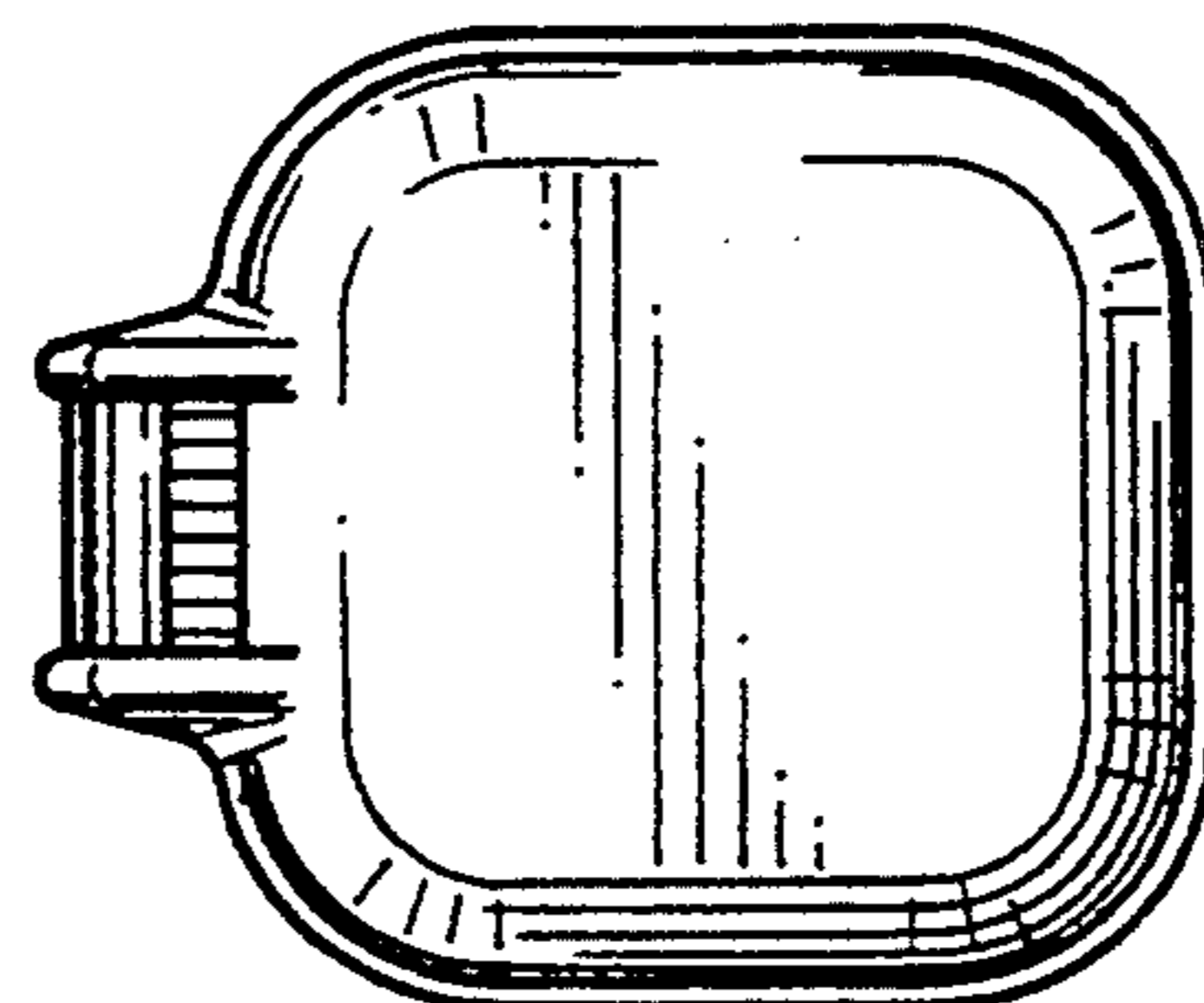


FIG. 7