



US00D352697S

**United States Patent** [19]  
**Johnson**

[11] **Patent Number: Des. 352,697**

[45] **Date of Patent: \*\* Nov. 22, 1994**

[54] **UTILITY BODY INSERT**

**DESCRIPTION**

[76] **Inventor:** Lynn M. Johnson, 2921 Schabacker #4, Menomonie, Wis.  
[\*\*] **Term:** 14 Years  
[21] **Appl. No.:** 6,202  
[22] **Filed:** Mar. 18, 1993  
[52] **U.S. Cl.** ..... D12/406  
[58] **Field of Search** ..... 296/24.1, 37.1, 37.6; 224/273, 42.42; D12/157, 98

FIG. 1 is a perspective view of utility body insert showing my new design;  
FIG. 2 is a right side view thereof;  
FIG. 3 is a back end view thereof;  
FIG. 4 is a left side view thereof;  
FIG. 5 is a top view thereof;  
FIG. 6 is a bottom view thereof;  
FIG. 7 is a front end view thereof;  
FIG. 8 is a perspective view of a utility body insert showing an alternative embodiment of my new design;  
FIG. 9 is a right side view thereof;  
FIG. 10 is a back end view thereof;  
FIG. 11 is a left side view thereof;  
FIG. 12 is a top view thereof;  
FIG. 13 is a front end view thereof;  
FIG. 14 is a perspective view of a utility body insert showing another alternative embodiment of my new design;  
FIG. 15 is a back end view thereof;  
FIG. 16 is a top view thereof;  
FIG. 17 is a front end view thereof; and,  
FIG. 18 is a bottom view thereof.

[56] **References Cited**

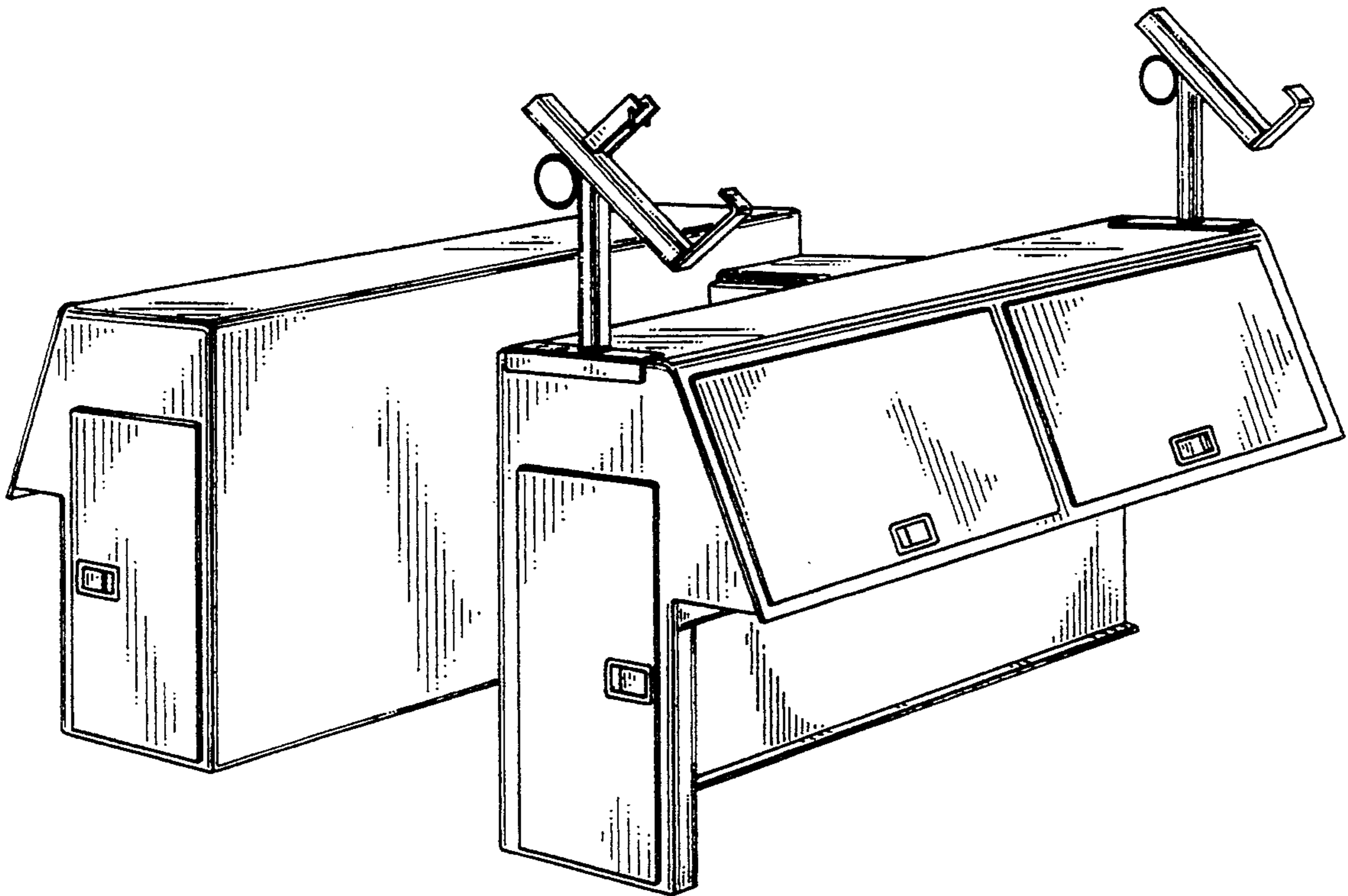
**U.S. PATENT DOCUMENTS**

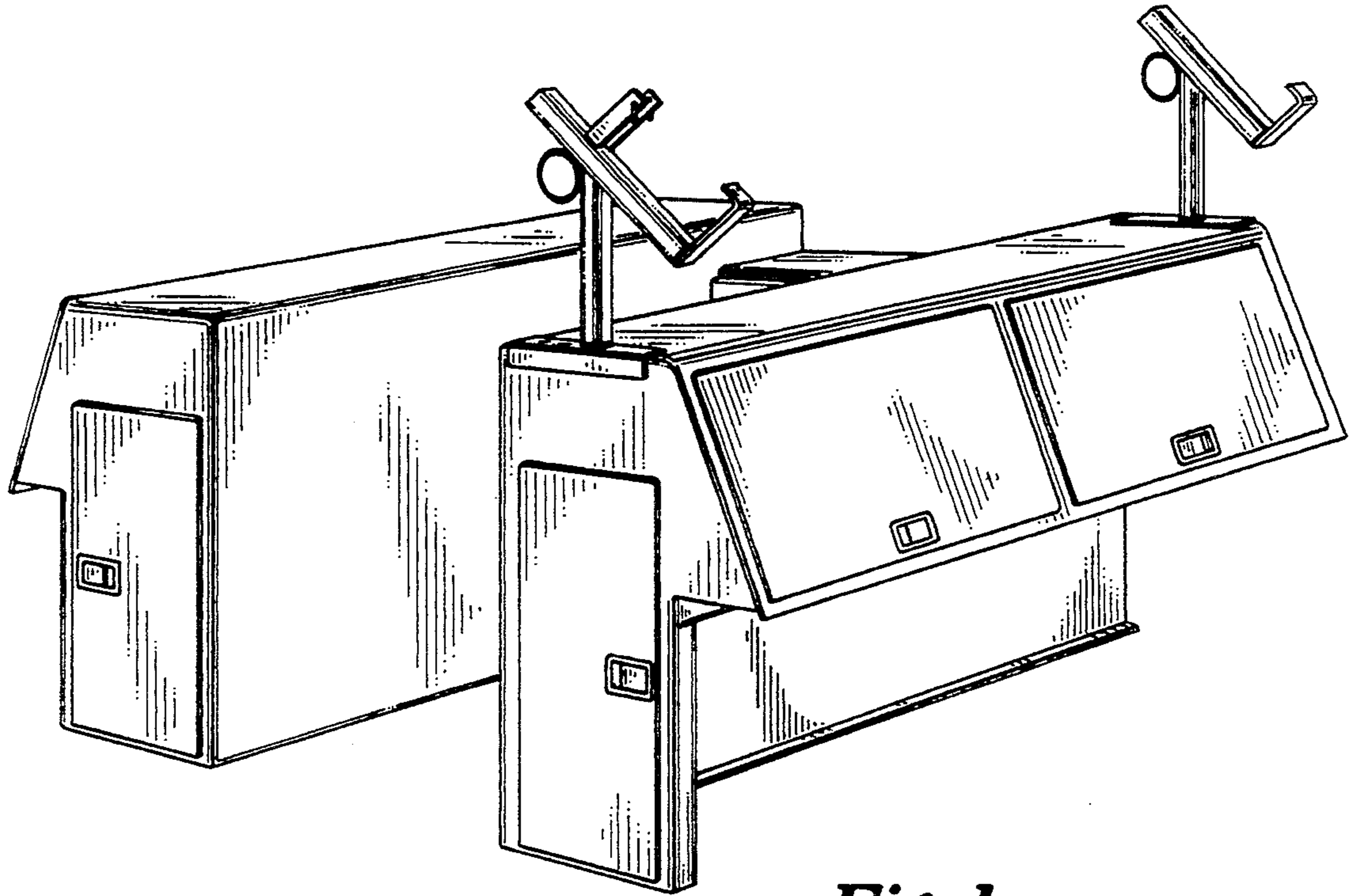
2,978,153 4/1961 Brindle ..... 296/24.1  
3,068,038 12/1962 Douglas, Jr. .... 296/24.1  
4,789,195 12/1988 Fletcher ..... 296/37.1

*Primary Examiner*—James M. Gandy  
*Attorney, Agent, or Firm*—Joel Skinner

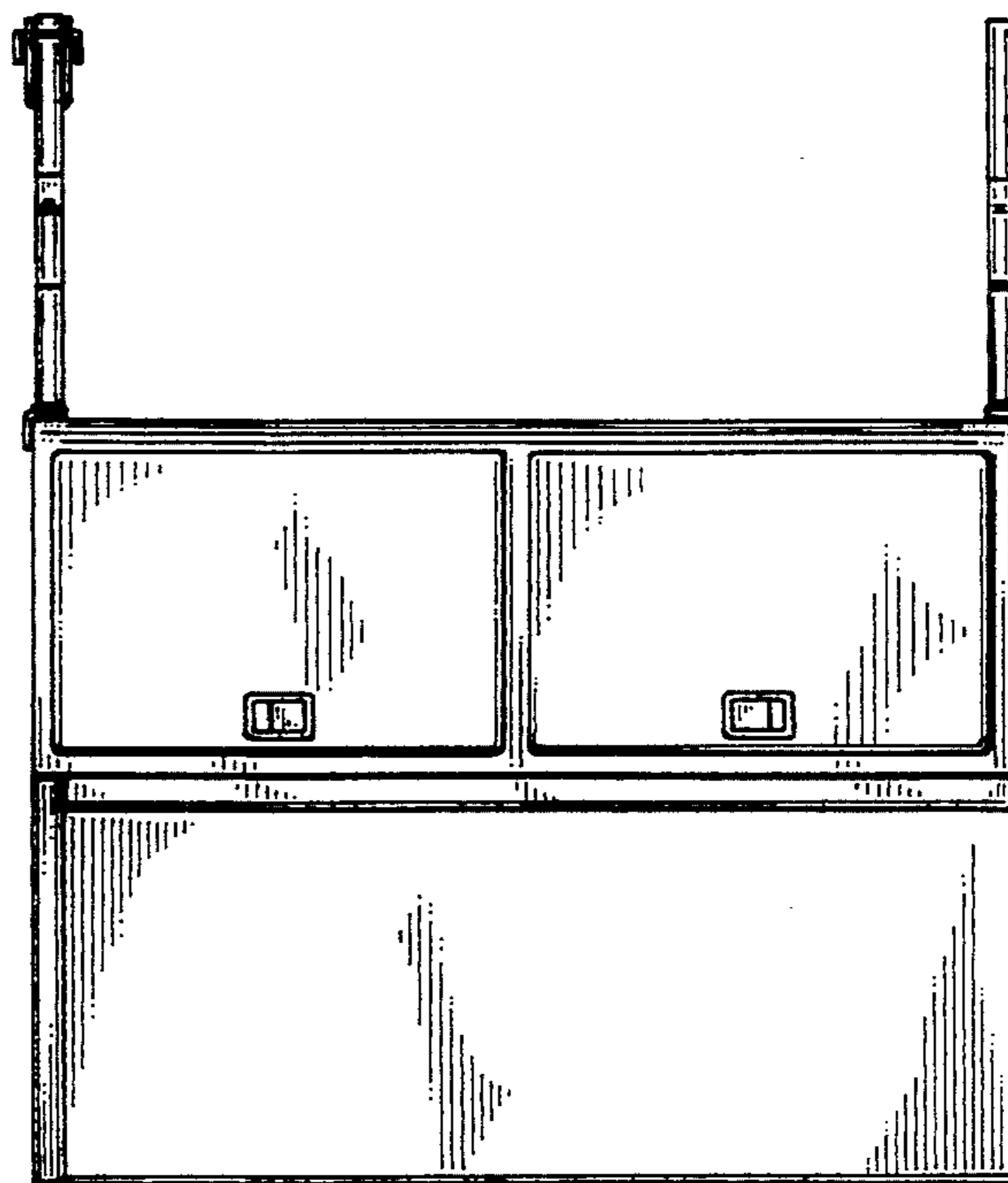
[57] **CLAIM**

The ornamental design for a utility body insert, as shown and described.

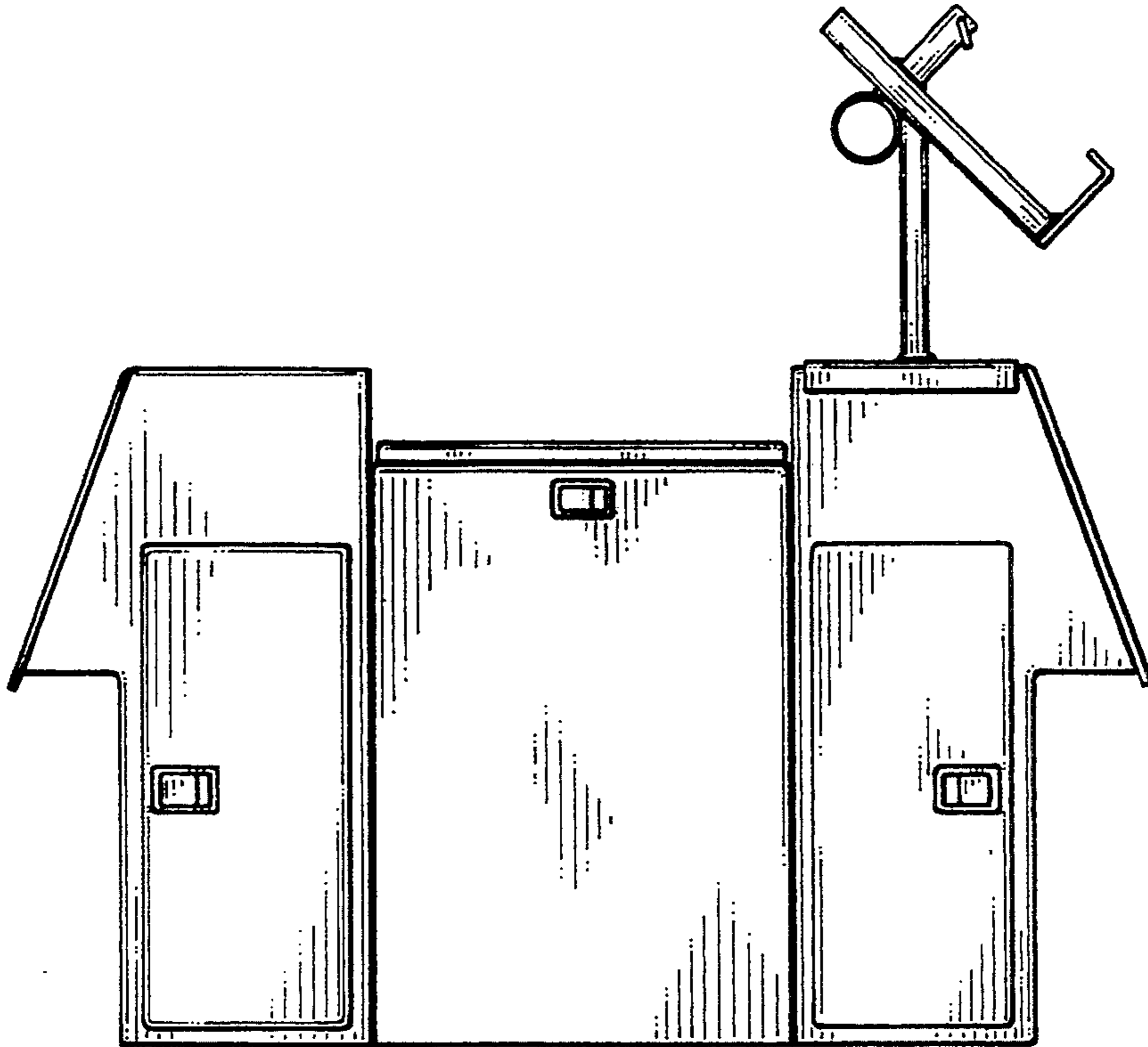




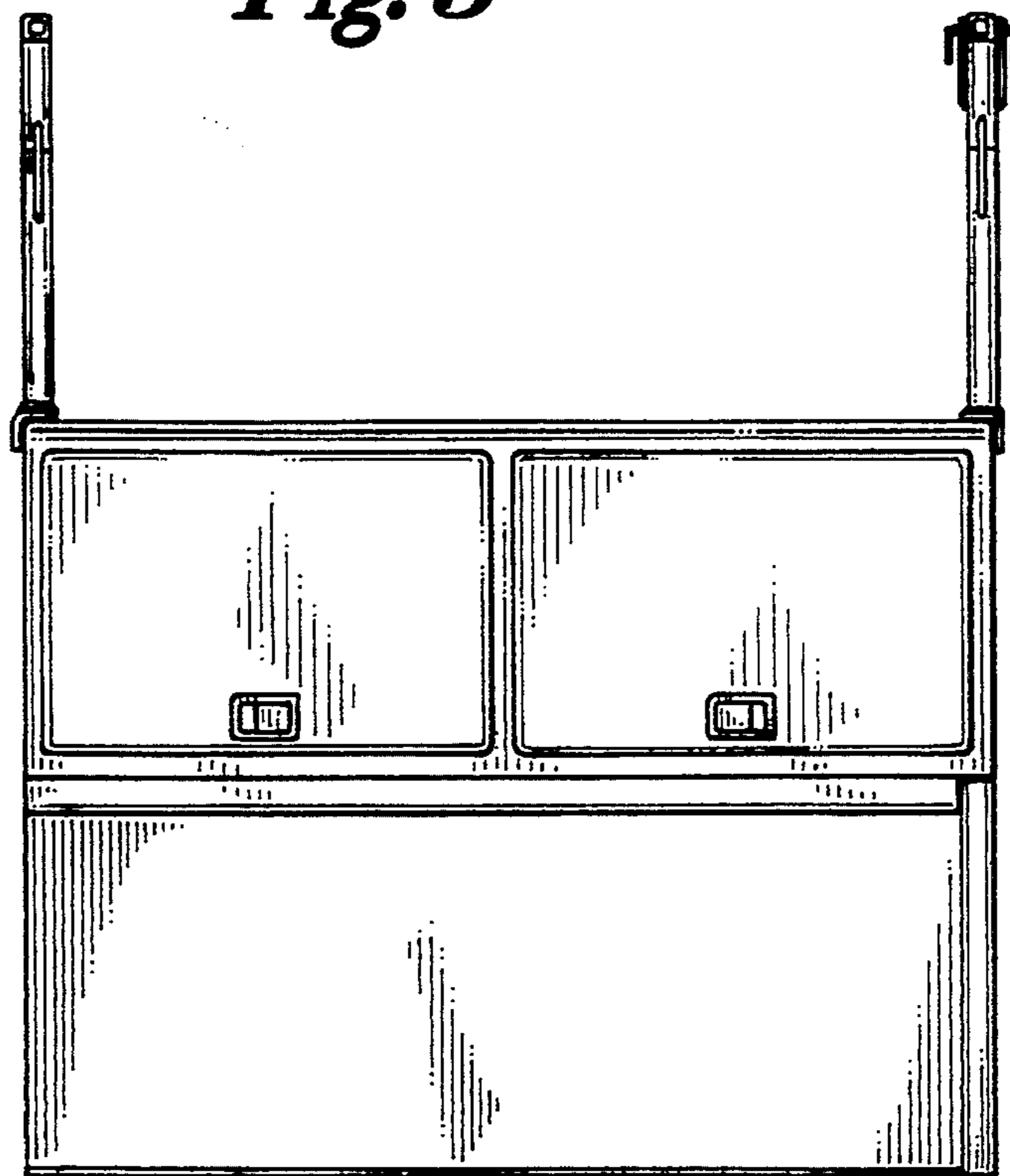
*Fig. 1*



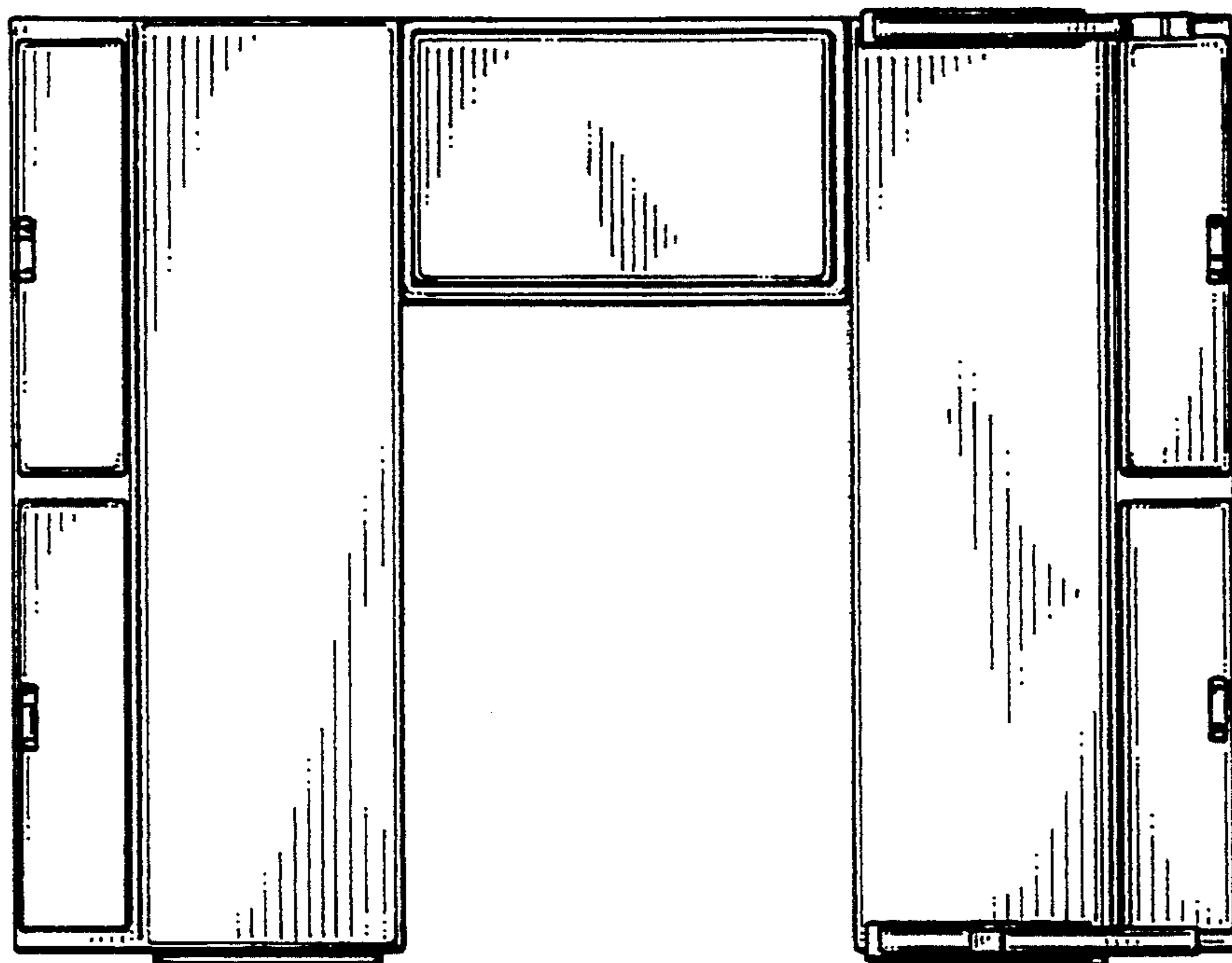
*Fig. 2*



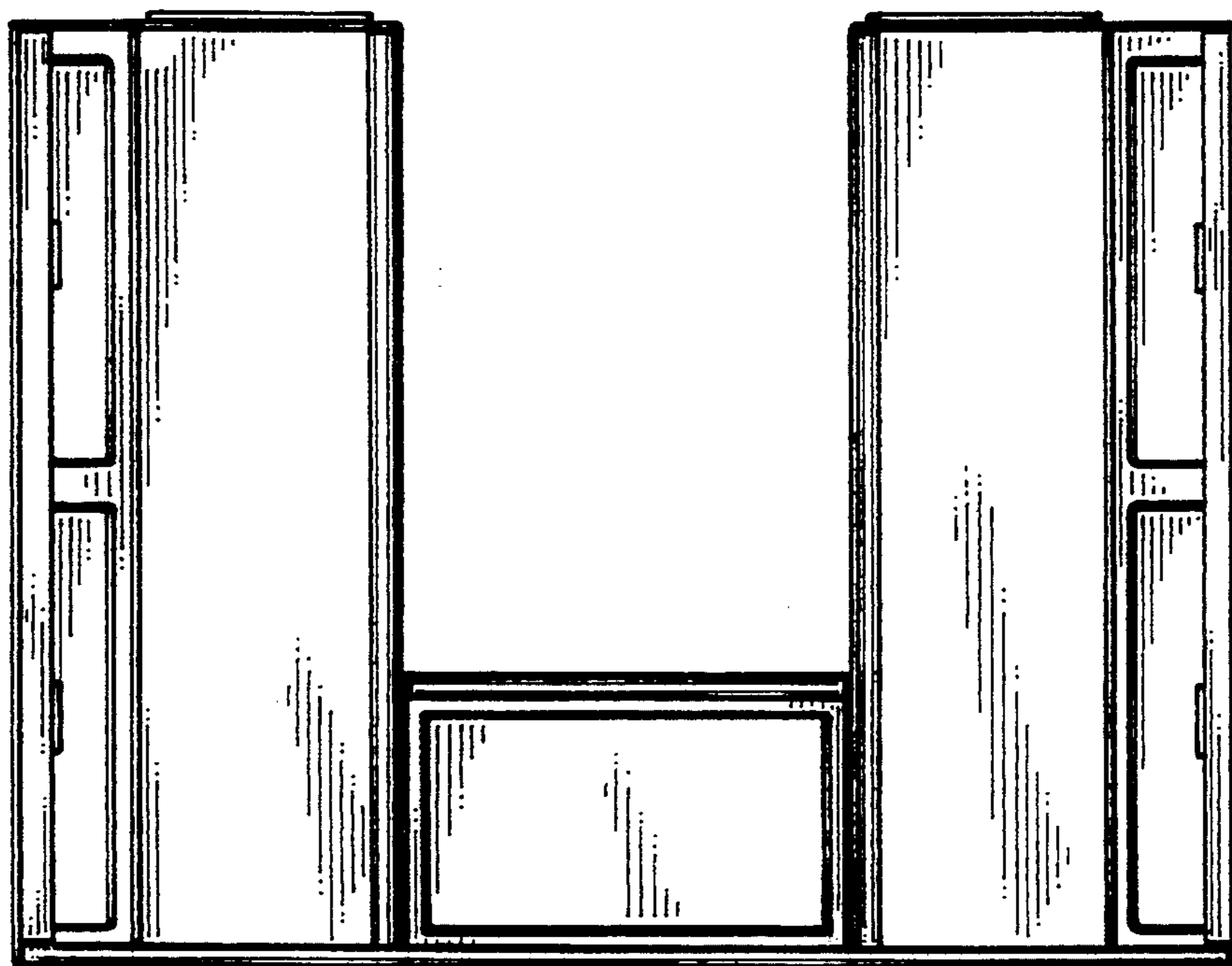
*Fig. 3*



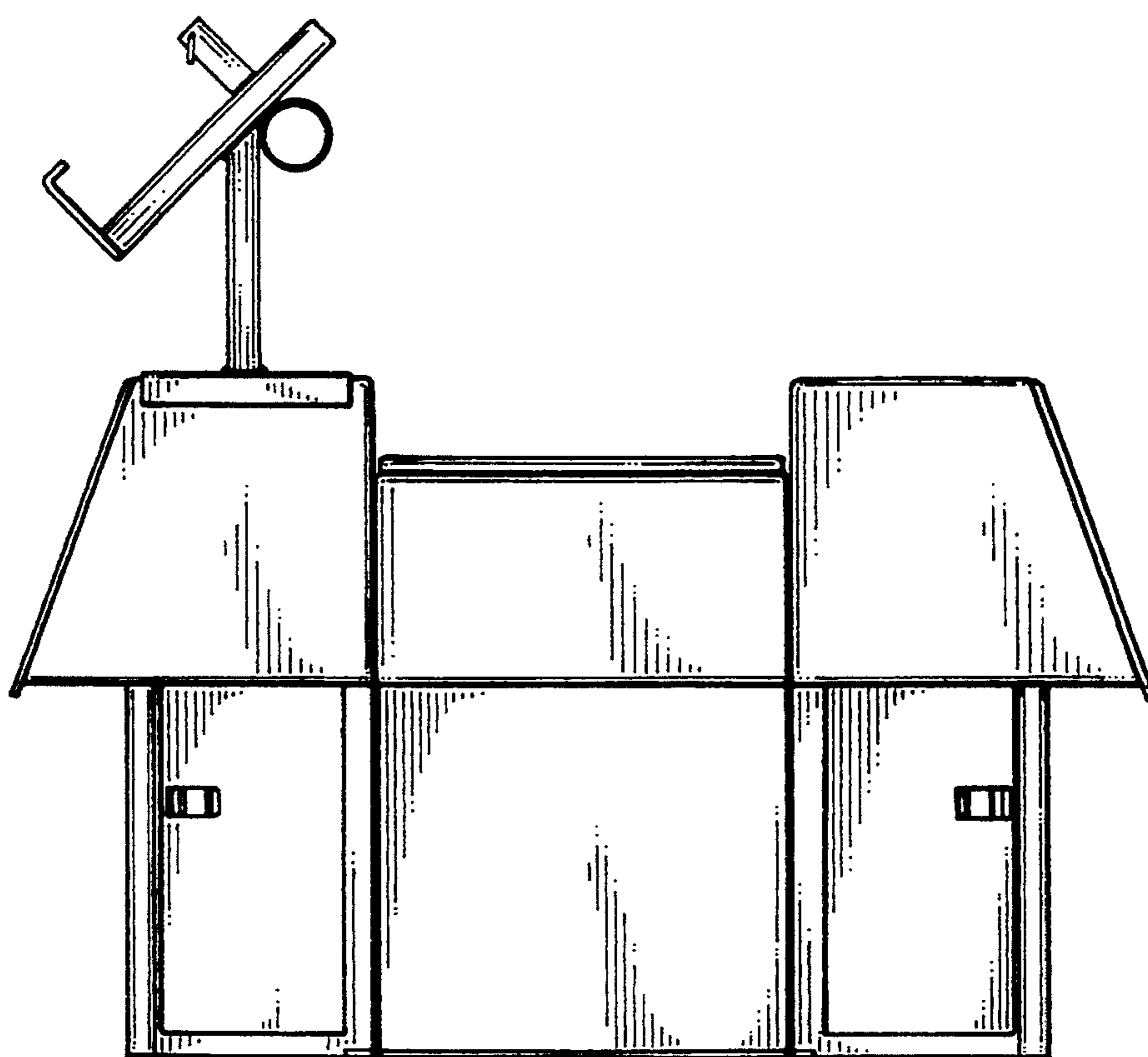
*Fig. 4*



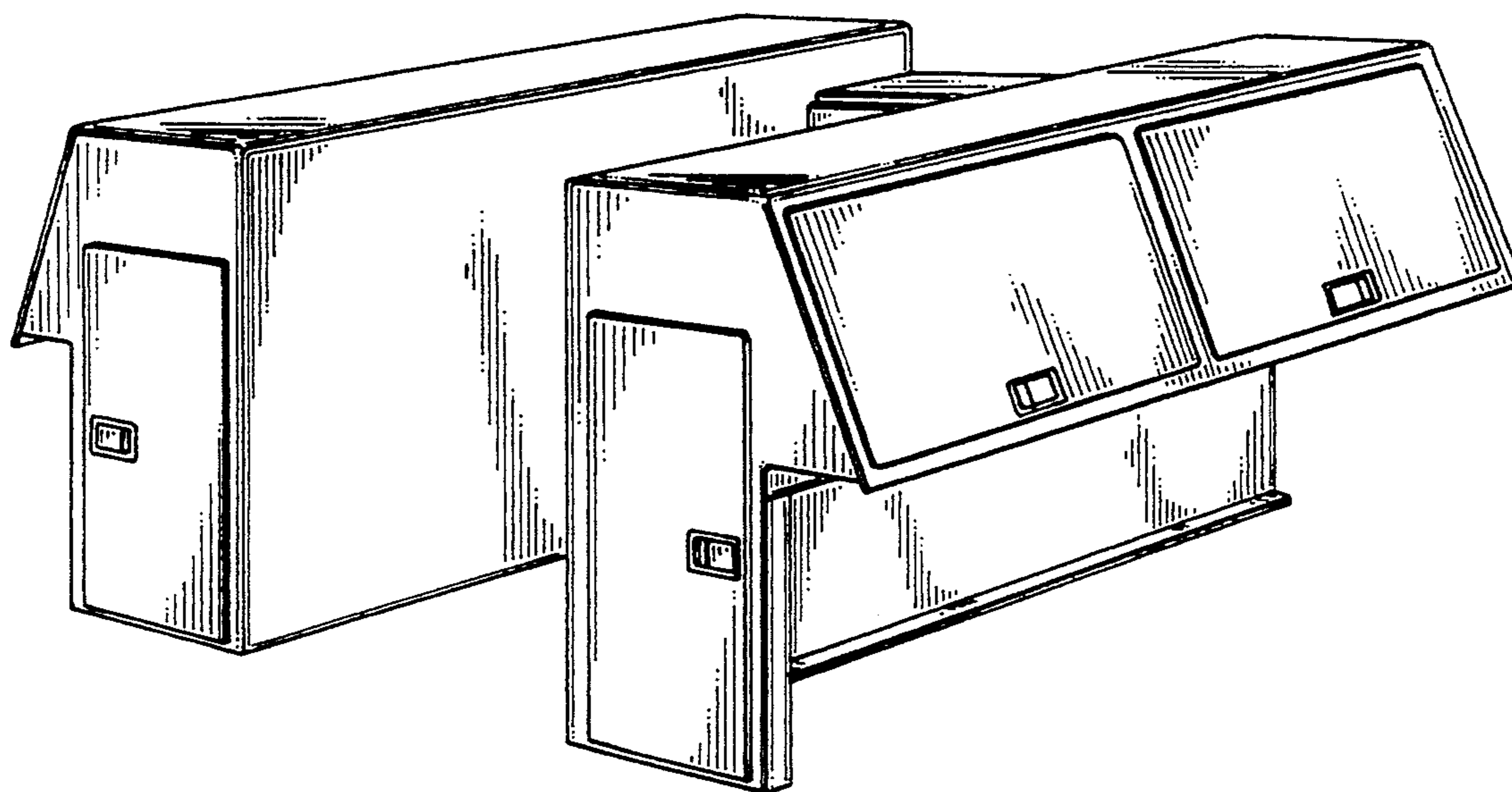
*Fig. 5*



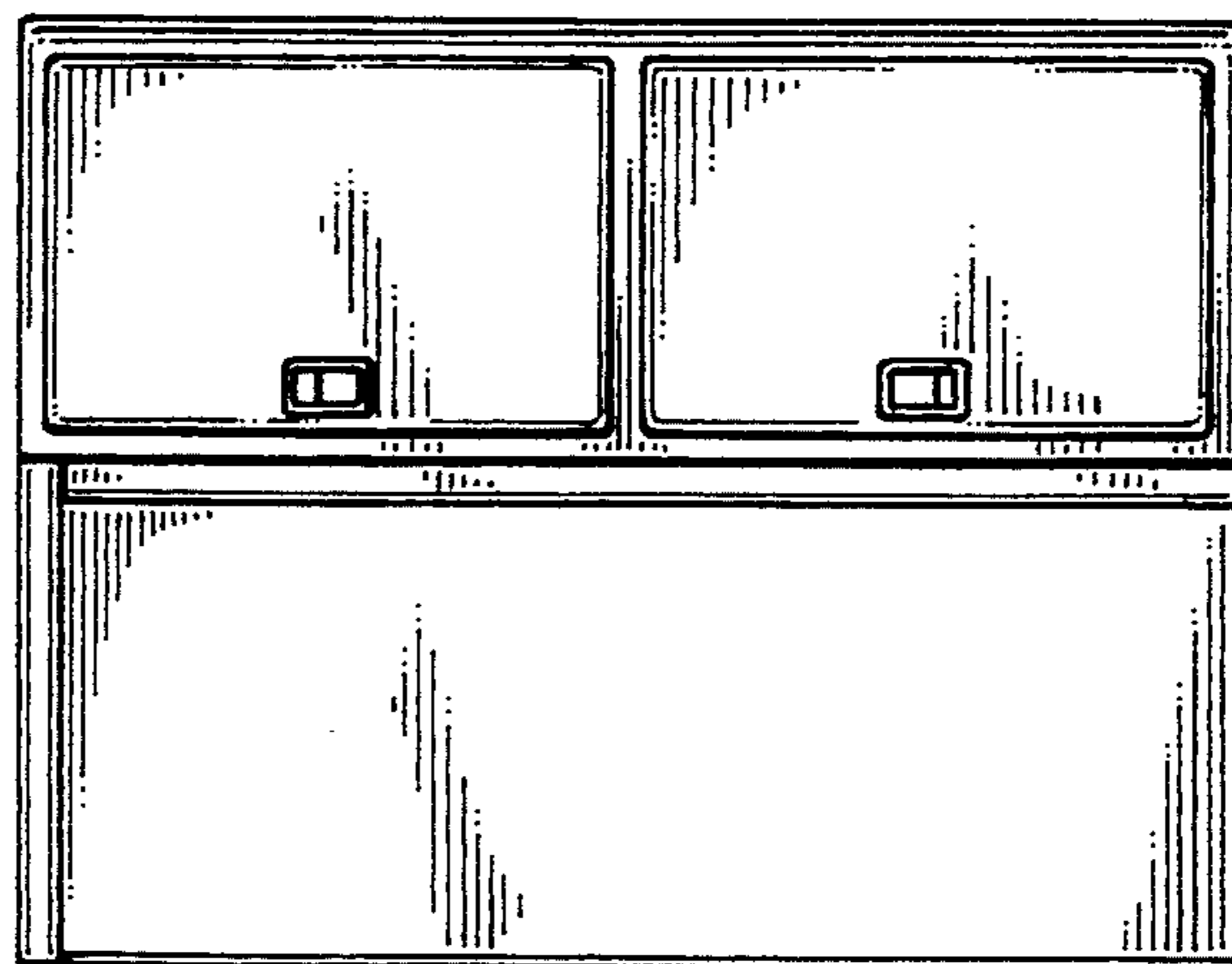
*Fig. 6*



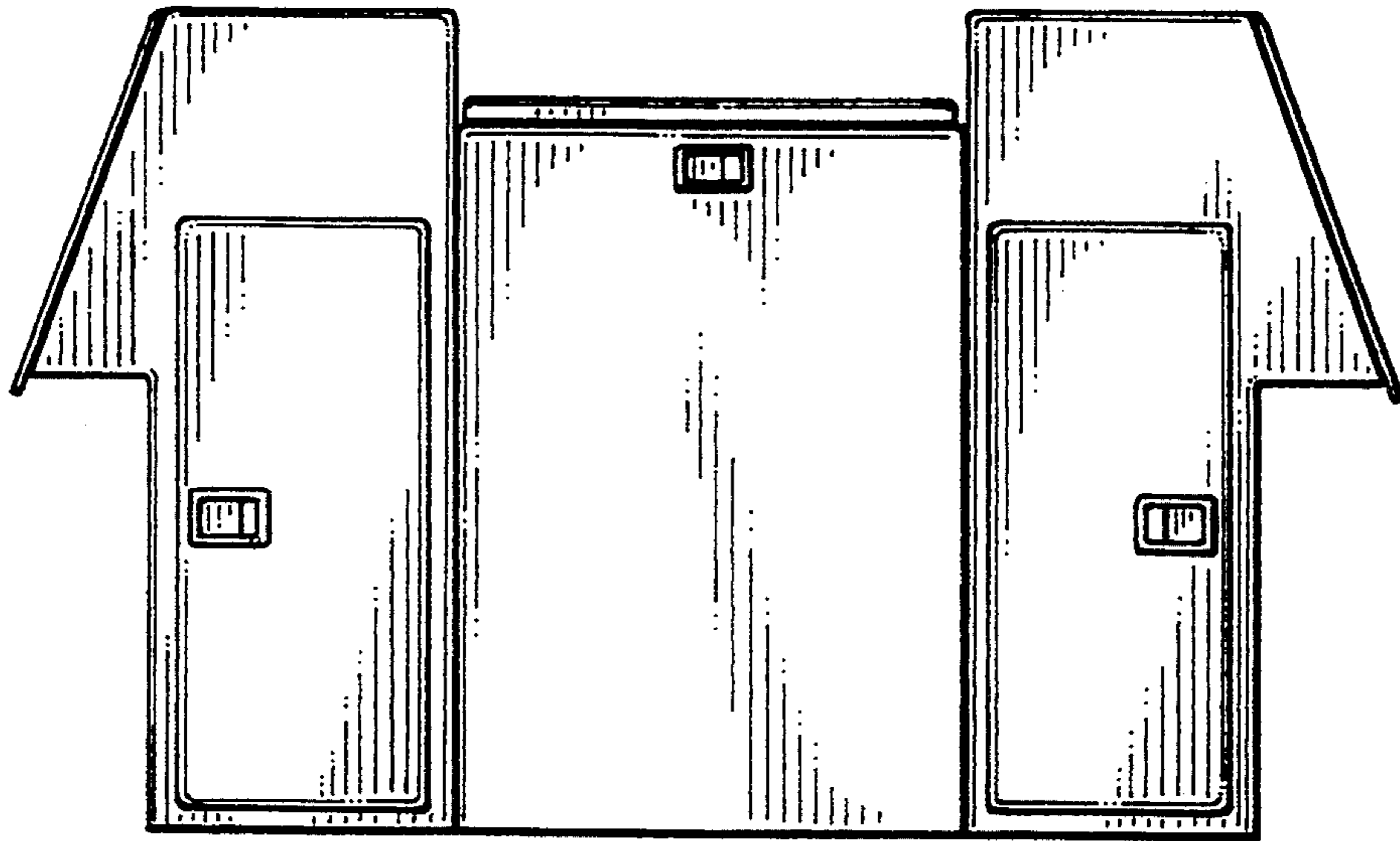
*Fig. 7*



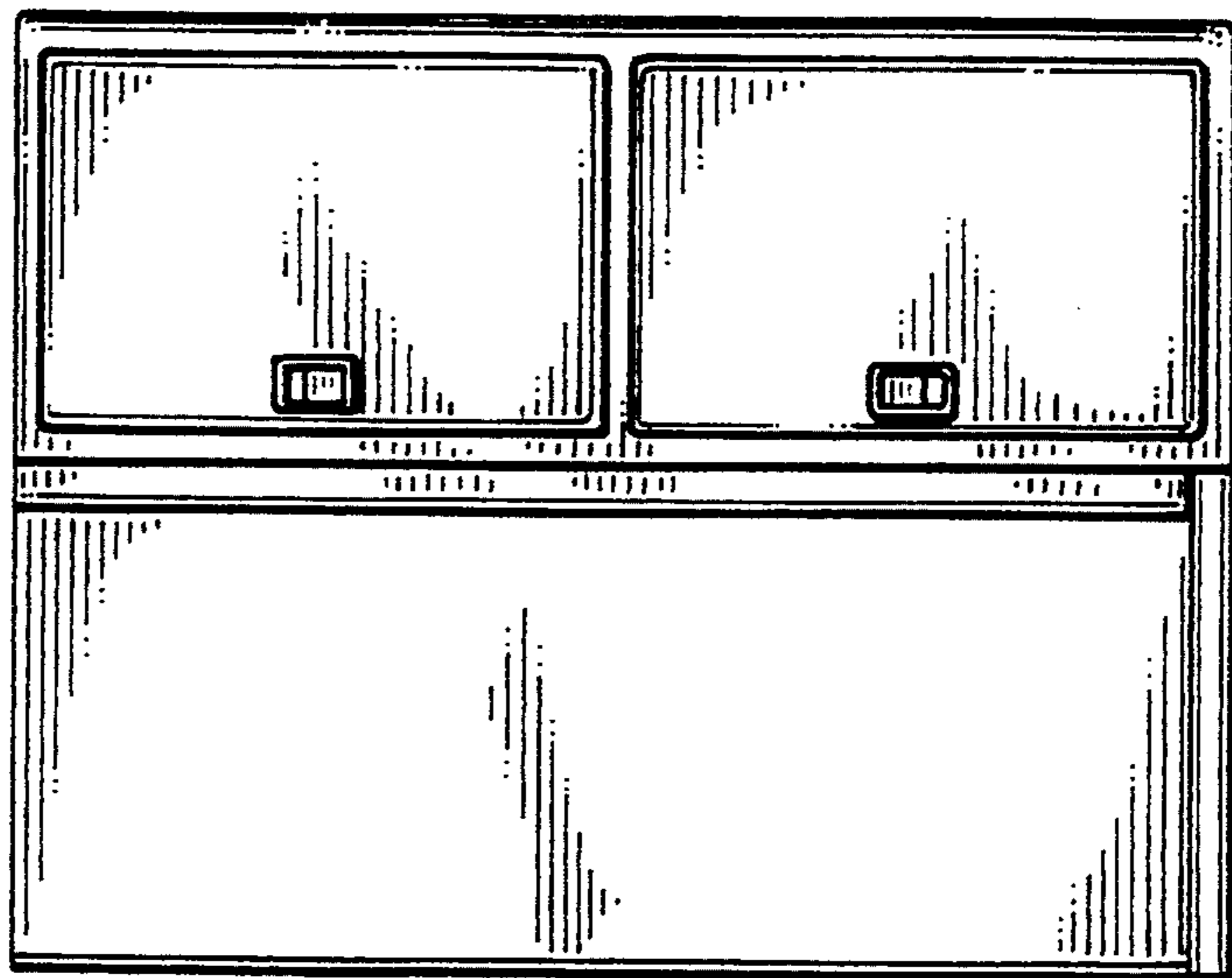
*Fig. 8*



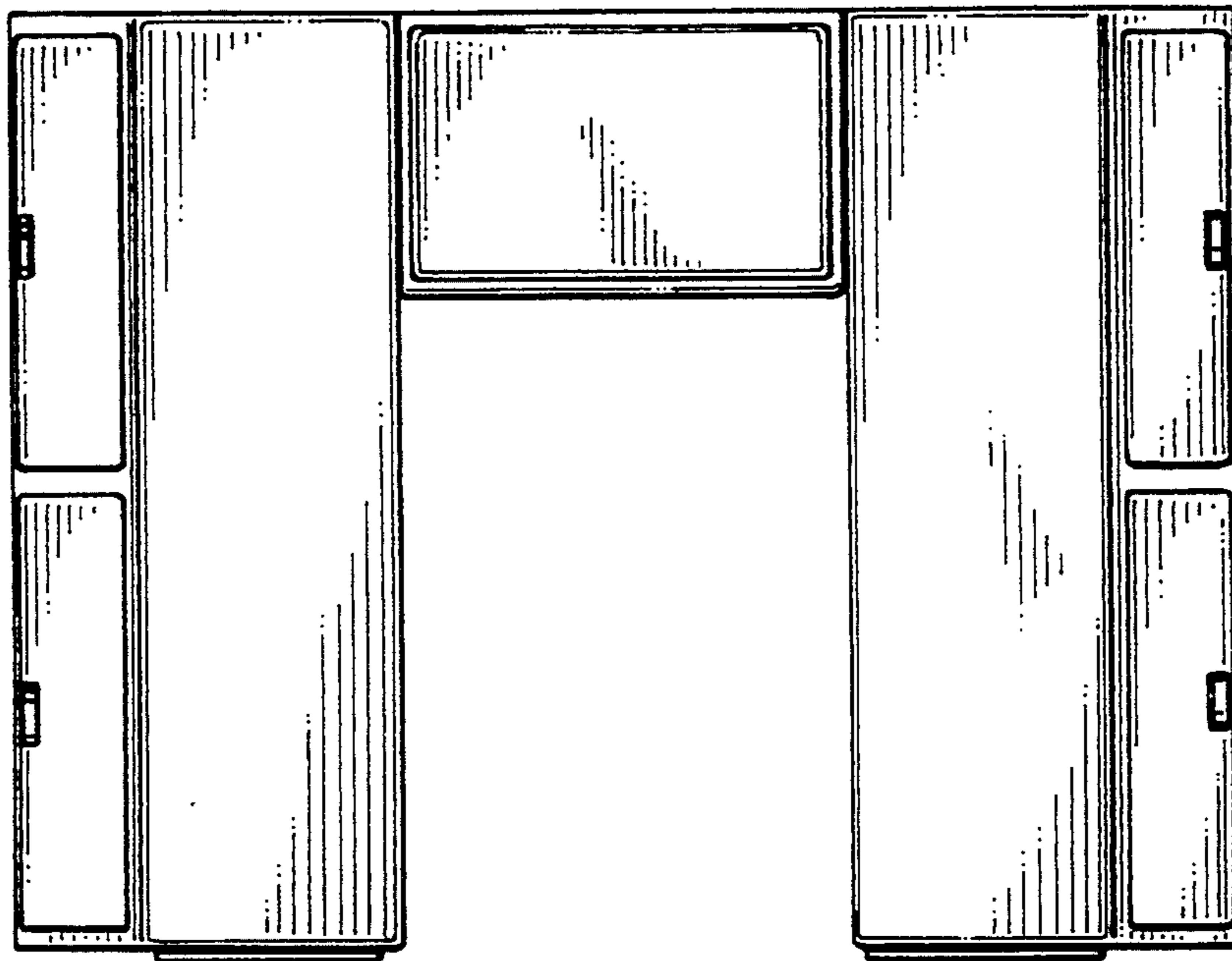
*Fig. 9*



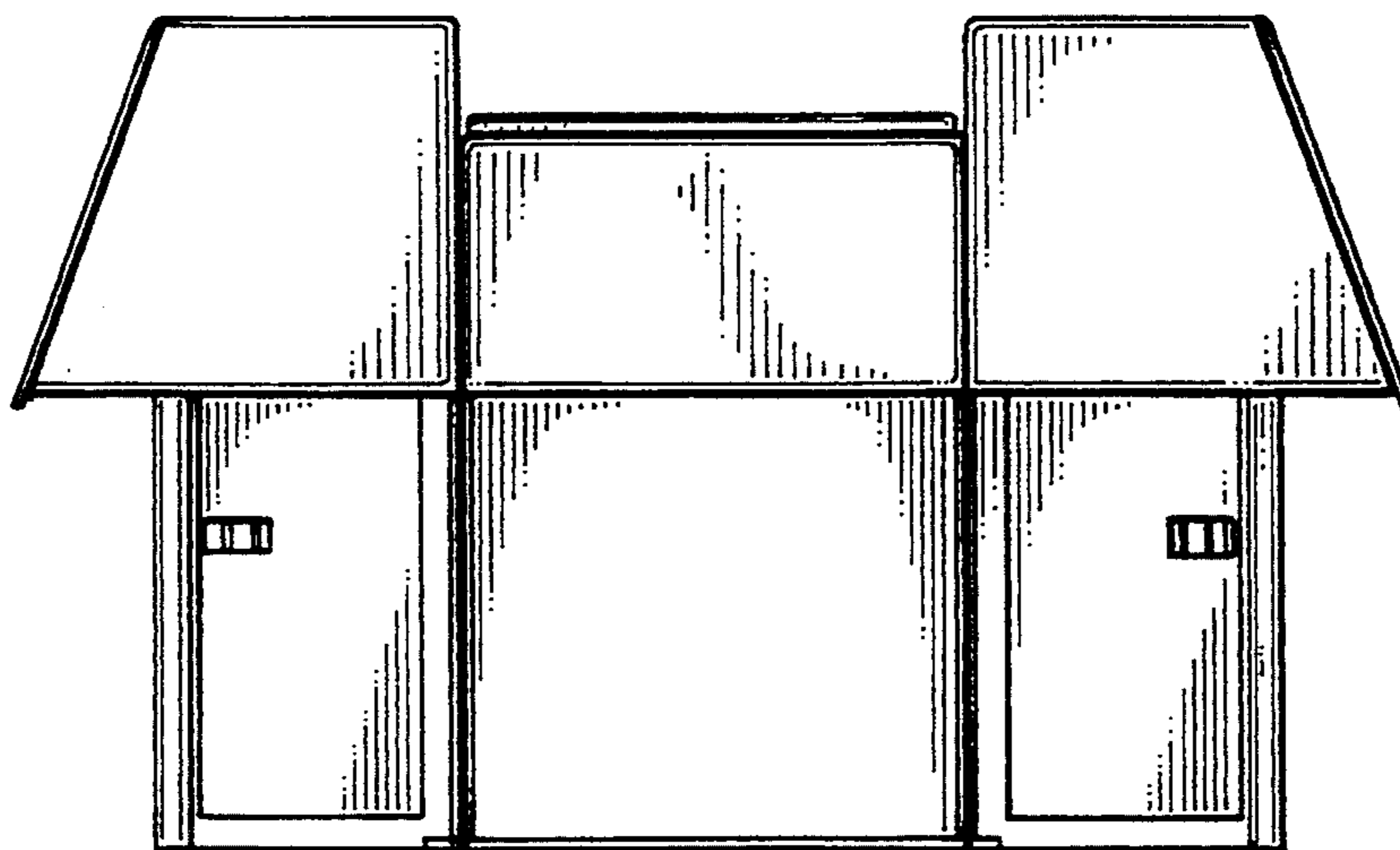
*Fig. 10*



*Fig. 11*

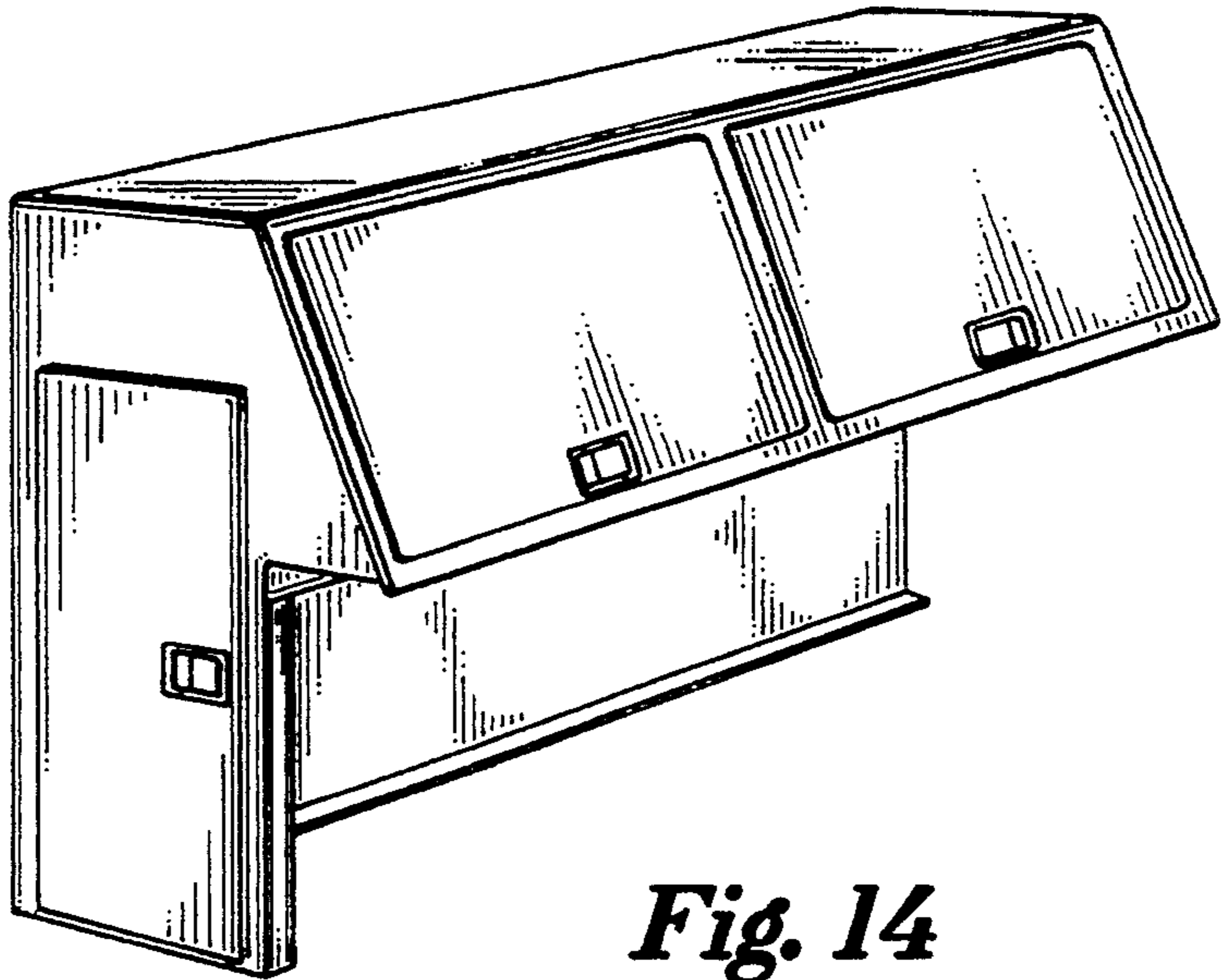


*Fig. 12*

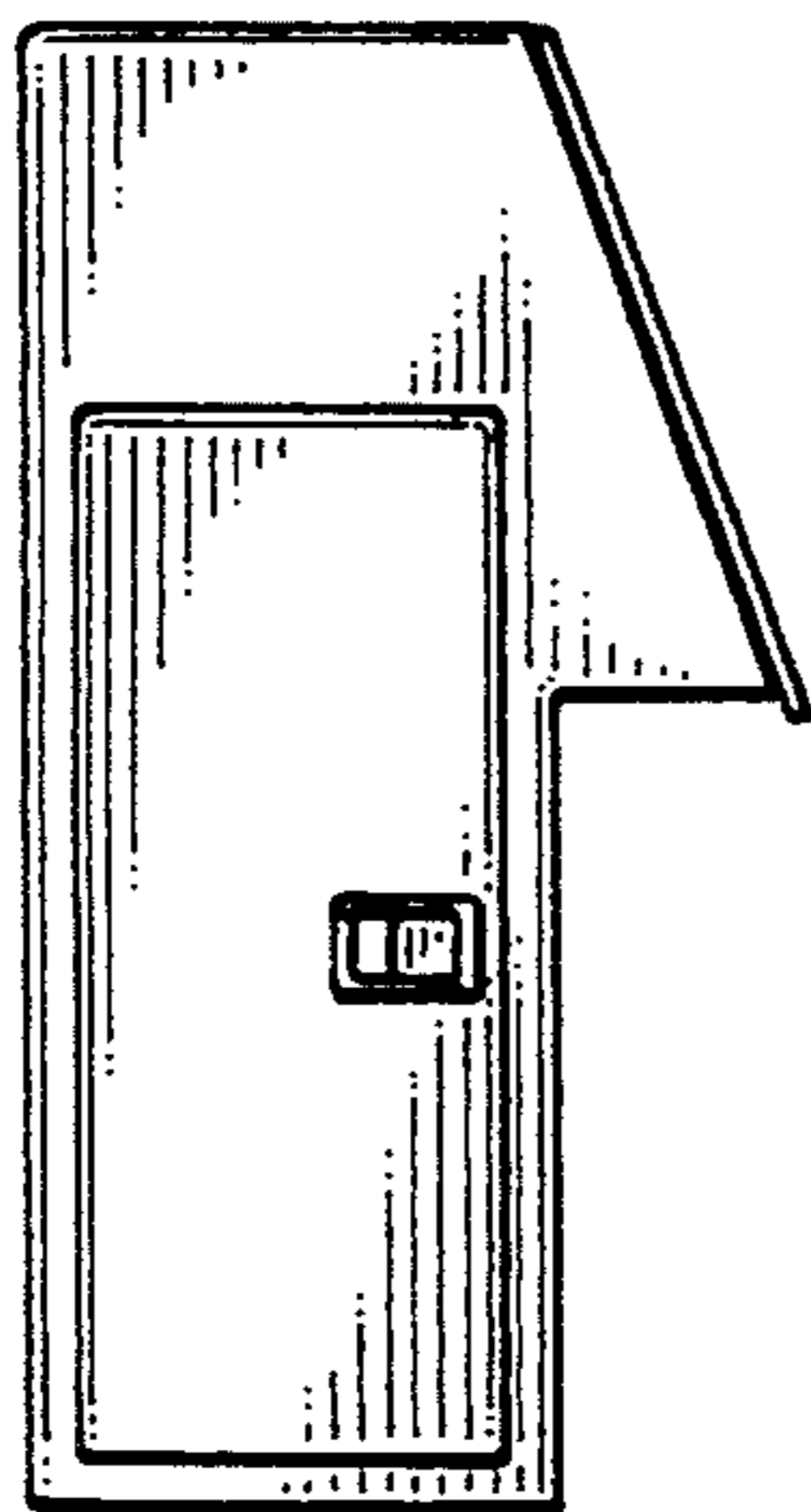


*Fig. 13*

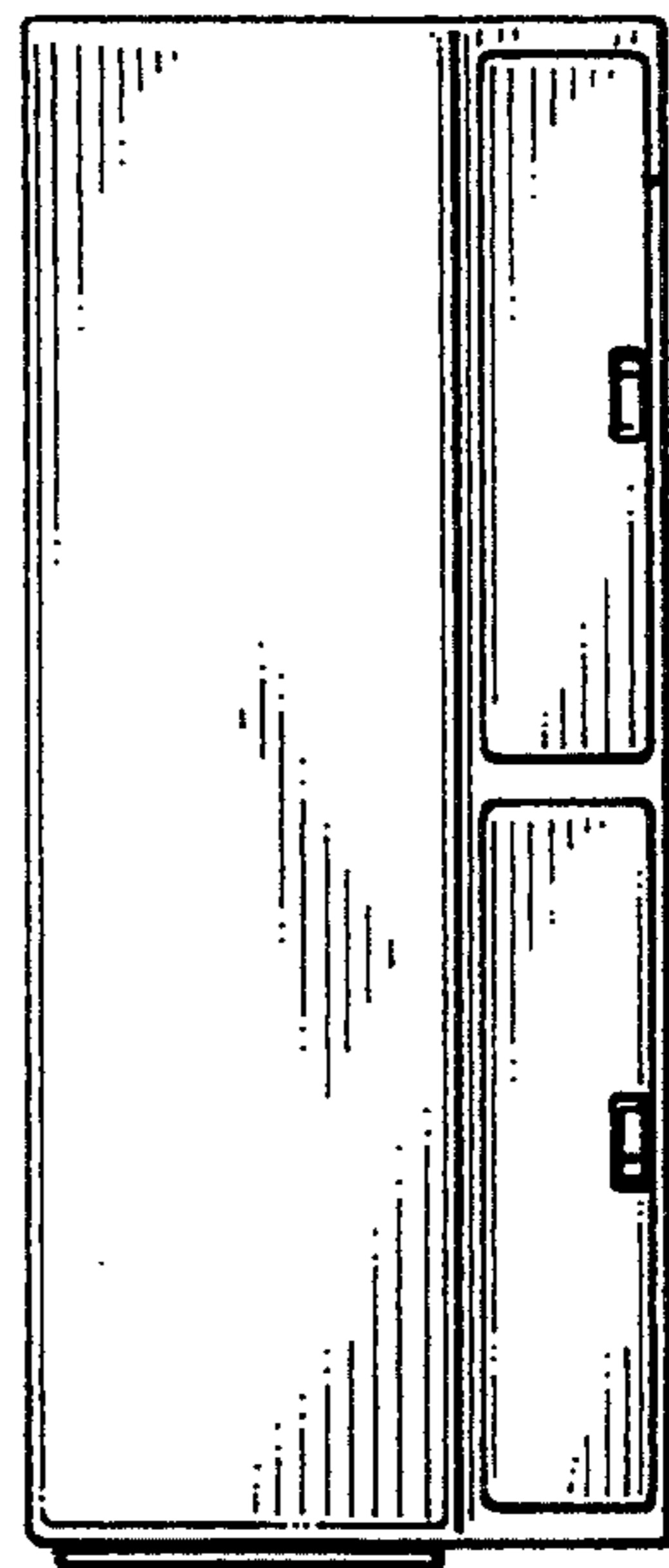




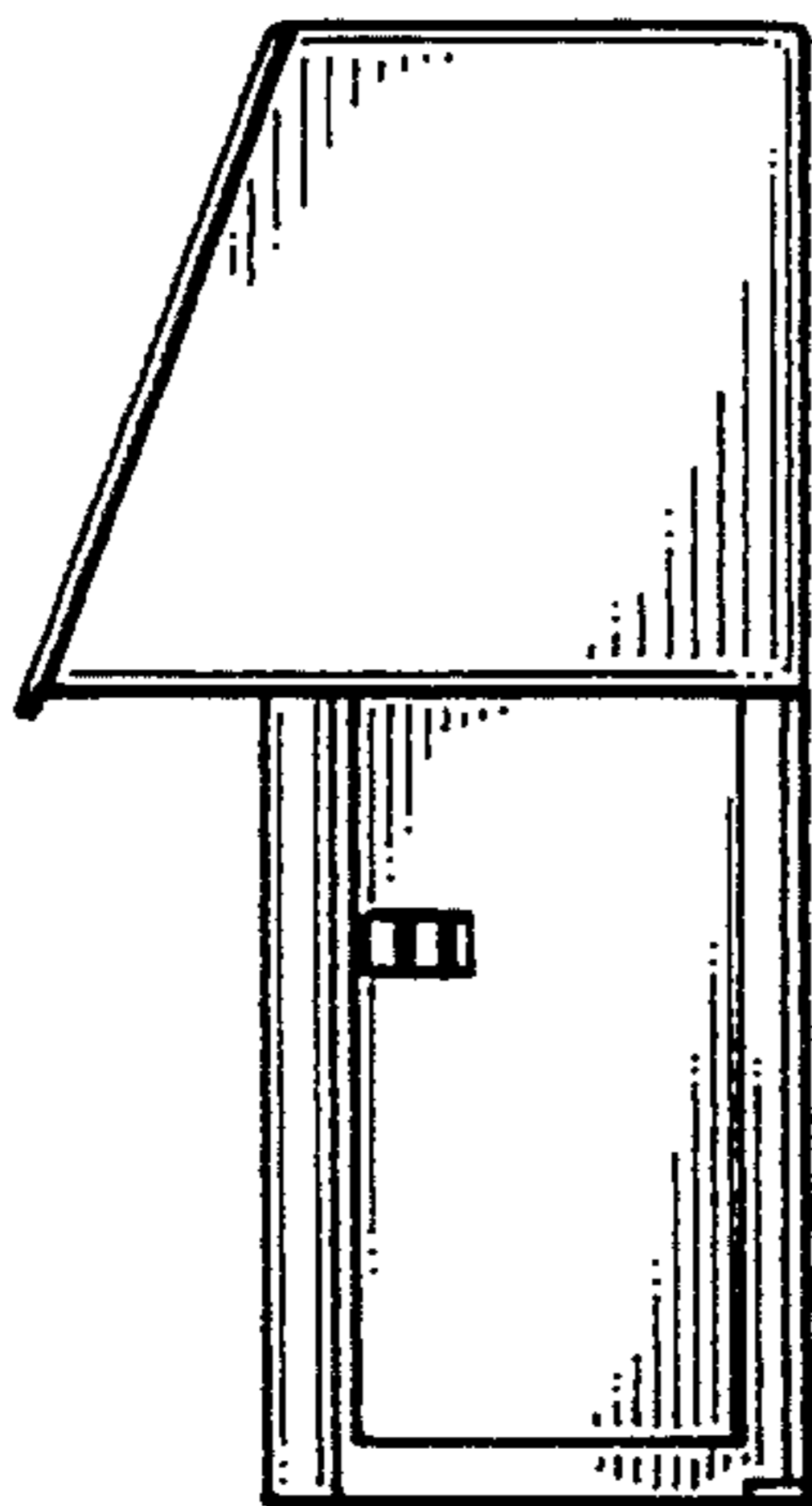
*Fig. 14*



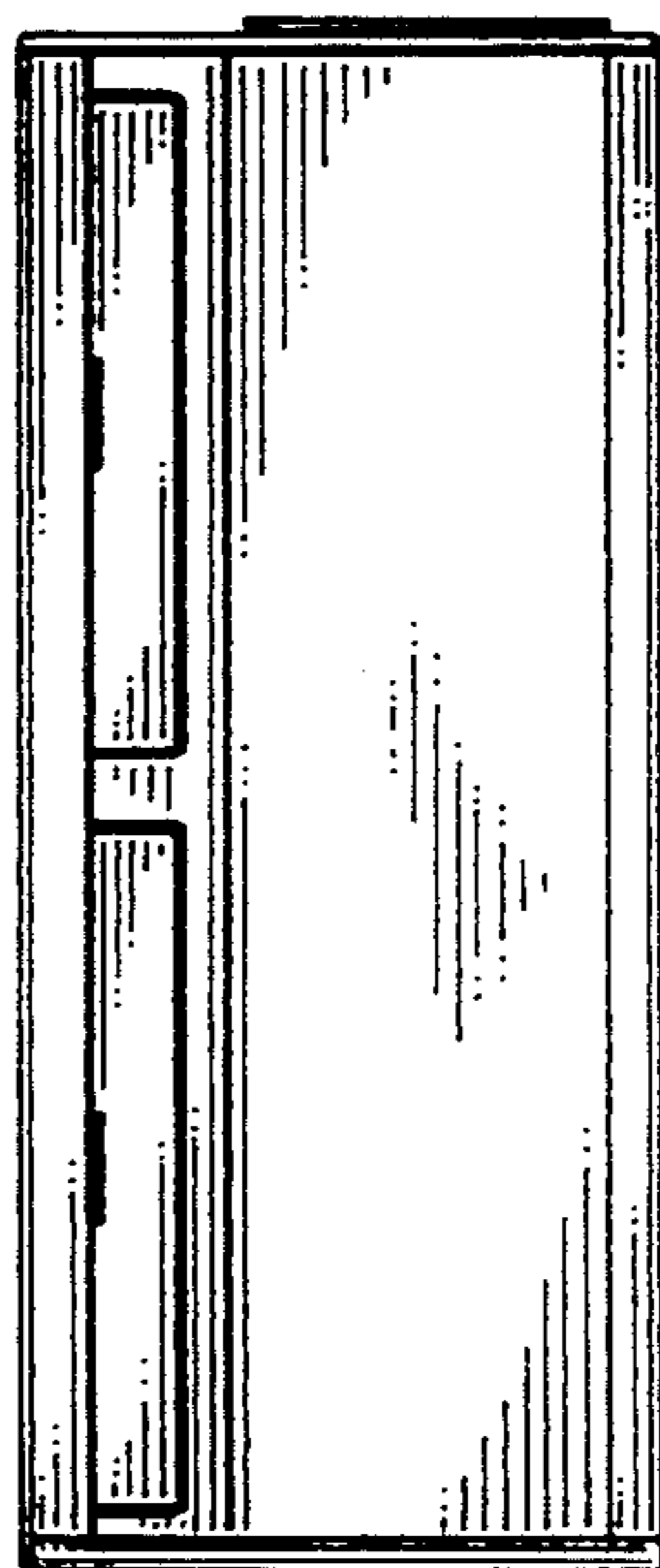
*Fig. 15*



*Fig. 16*



*Fig. 17*



*Fig. 18*