



US00D352690S

# United States Patent [19]

[11] Patent Number: Des. 352,690

Schorr

[45] Date of Patent: \*\* Nov. 22, 1994

## [54] TENT FOR PICK-UP TRUCK

[75] Inventor: Ronald A. Schorr, Scottsdale, Ariz.

[73] Assignee: Dan B. Poole, Phoenix, Ariz.

[\*\*] Term: 14 Years

[21] Appl. No.: 13,185

[22] Filed: Sep. 20, 1993

[52] U.S. Cl. .... D12/403

[58] Field of Search ..... 296/164, 159; 135/88; D12/156; D21/253

## [56] References Cited

### U.S. PATENT DOCUMENTS

D. 291,074	7/1987	Ravana .....	D12/156
D. 318,446	7/1991	Magyar et al. ....	D12/156
D. 337,979	8/1993	Napieraj .....	D12/156
D. 340,689	10/1993	Wolcott et al. ....	D12/156

Primary Examiner—James M. Gandy

Attorney, Agent, or Firm—Don J. Flickinger; Robert A. Parsons; Jordan M. Meschkow

## [57] CLAIM

The ornamental design for a tent for pick-up truck, as shown and described.

## DESCRIPTION

FIG. 1 is a perspective view of a tent for a pick-up truck showing my new design therefor;

FIG. 2 is a front elevational view;  
 FIG. 3 is a top plan view;  
 FIG. 4 is a rear elevational view;  
 FIG. 5 is right side elevational view;  
 FIG. 6 is a left side elevational view;  
 FIG. 7 is a bottom plan view;  
 FIG. 8 is a perspective view of a tent for a pick-up truck showing my alternate design thereof;  
 FIG. 9 is a front elevational view;  
 FIG. 10 is a top plan view;  
 FIG. 11 is a rear elevational view;  
 FIG. 12 is a right side elevational view, the left side being a mirror image thereof;  
 FIG. 13 is a bottom plan view;  
 FIG. 14 is a perspective view of a tent for a pick up truck showing my other alternate design therefor;  
 FIG. 15 is a front elevational view;  
 FIG. 16 is a top plan view;  
 FIG. 17 is a rear elevational view;  
 FIG. 18 is a right side elevational view;  
 FIG. 19 is a left side elevational view; and,  
 FIG. 20 is a bottom plan view.

A portion of the disclosure of this patent document contains material to which a claim for copyright is made. The copyright owner has no objection to the facsimile reproduction by anyone of the patent document or the patent disclosure, as it appears in the Patent and Trademark Office patent file or records, but reserves all other copyright rights whatsoever.

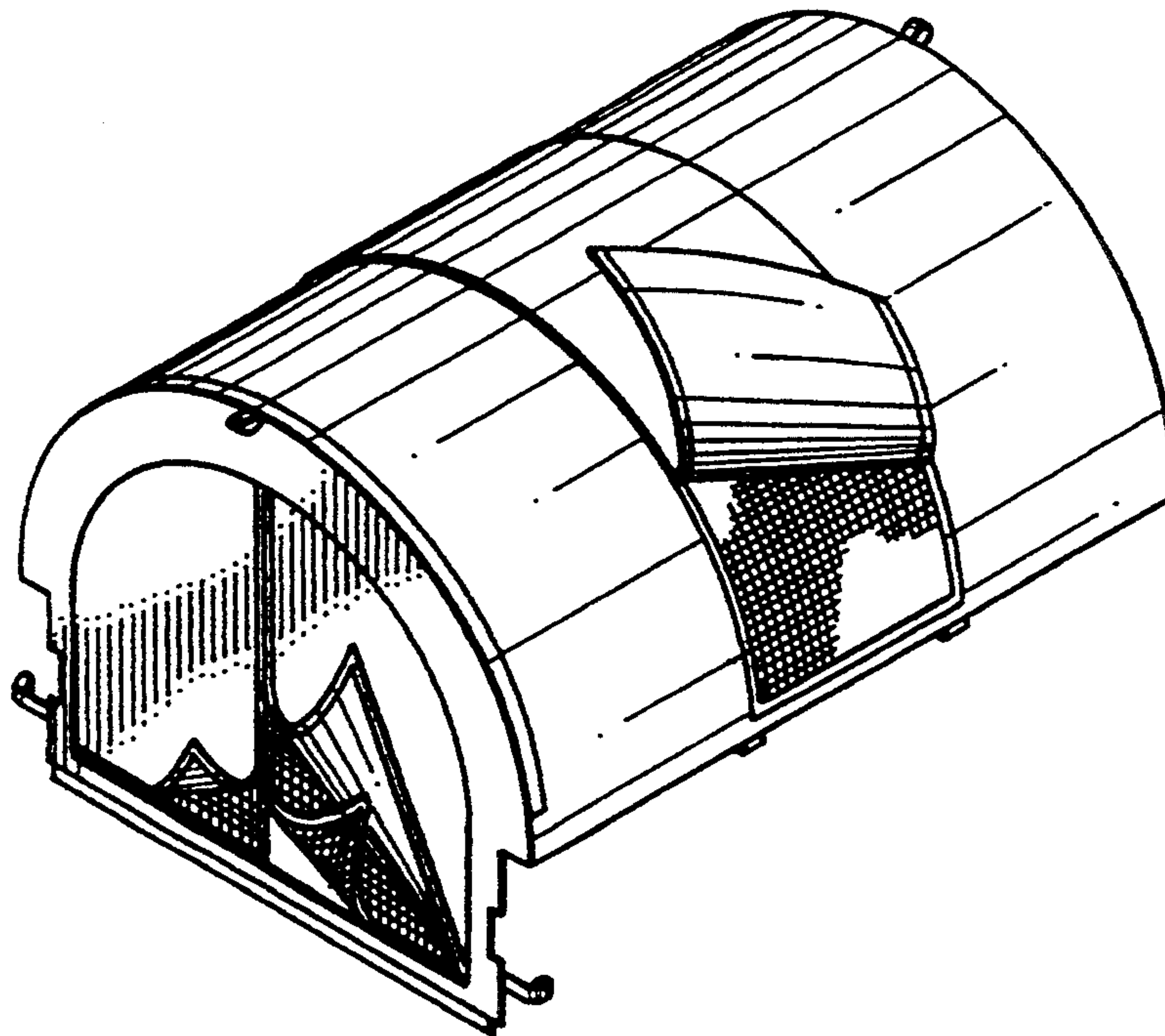


FIG. 1

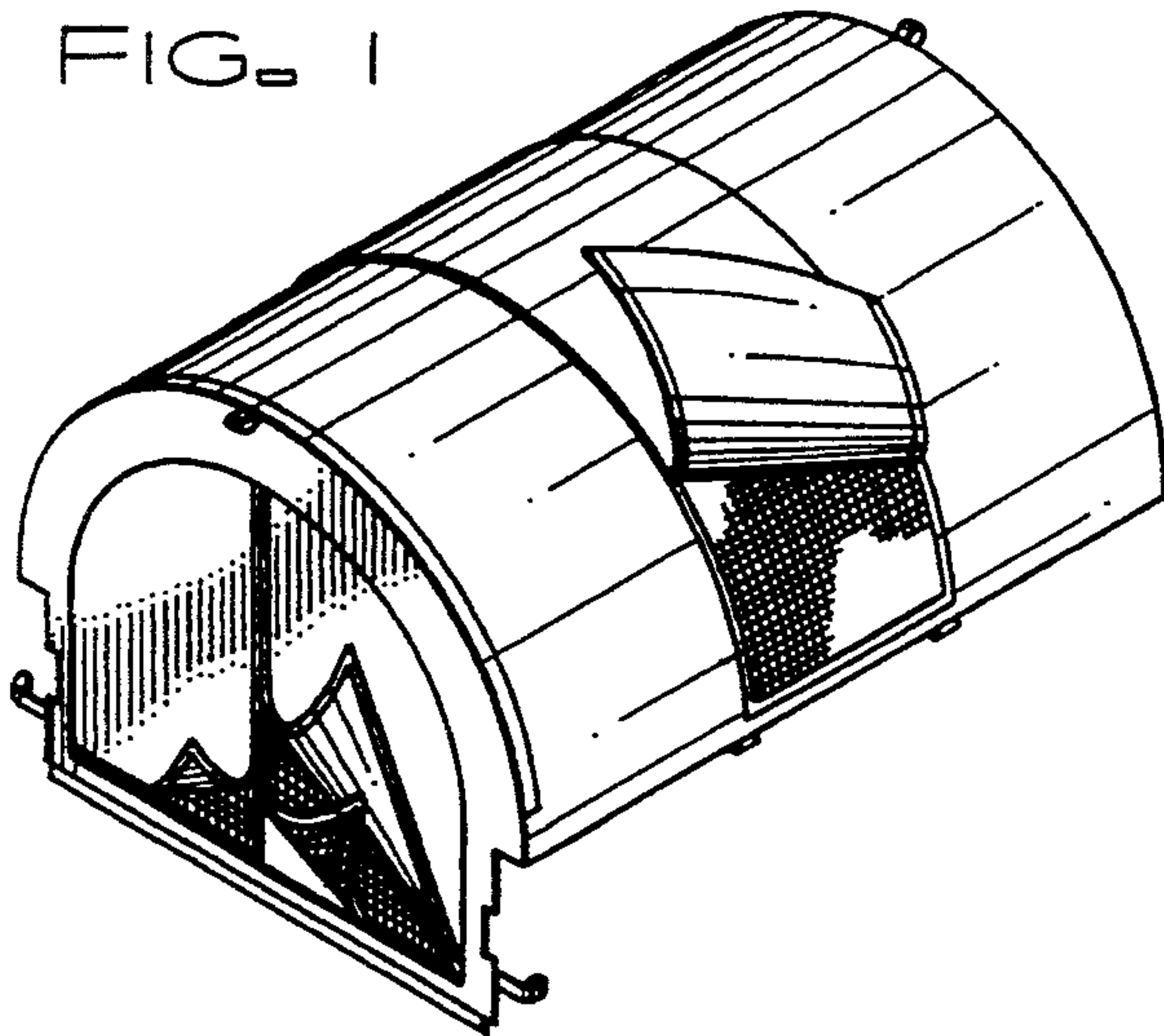


FIG. 2

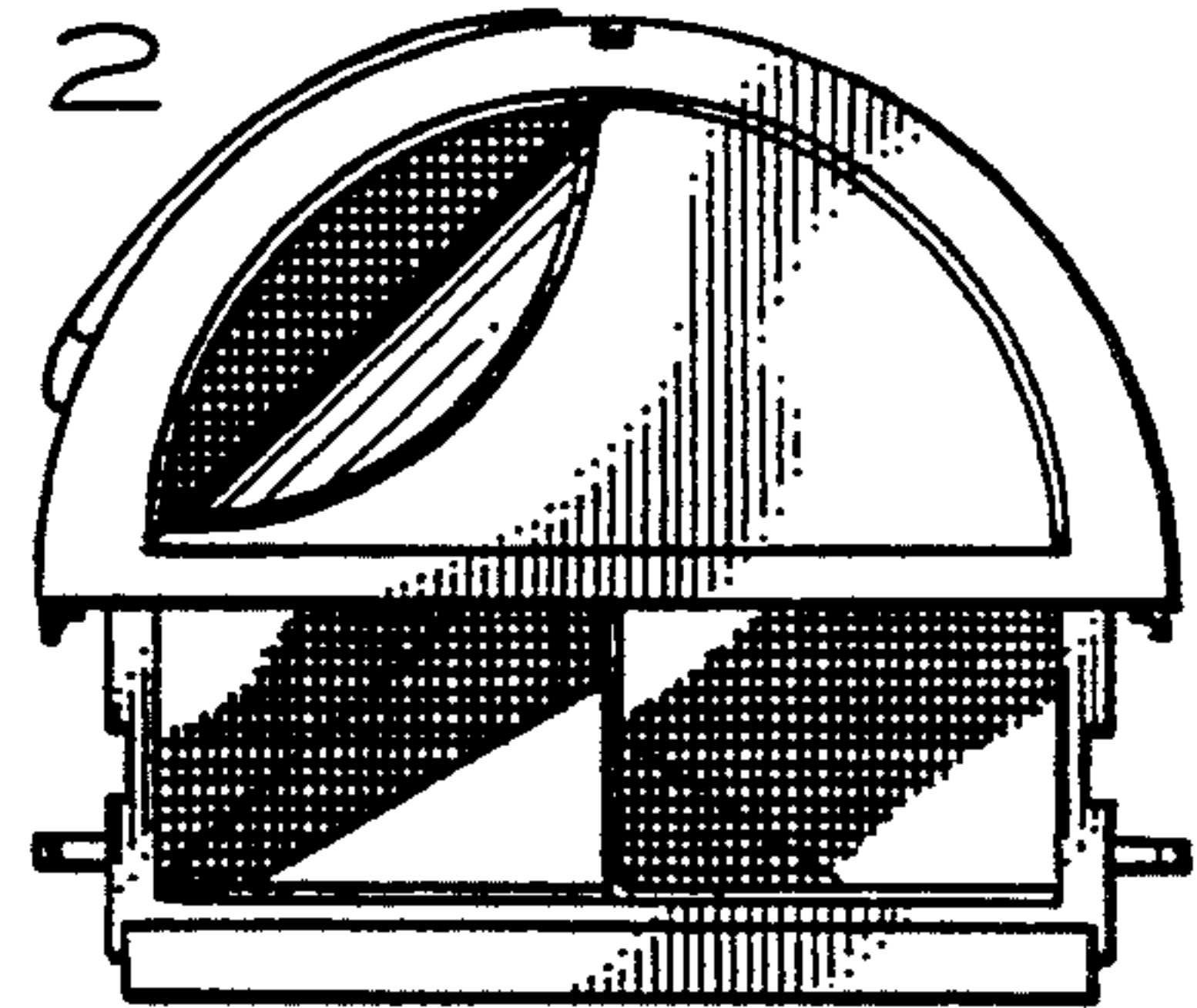


FIG. 3

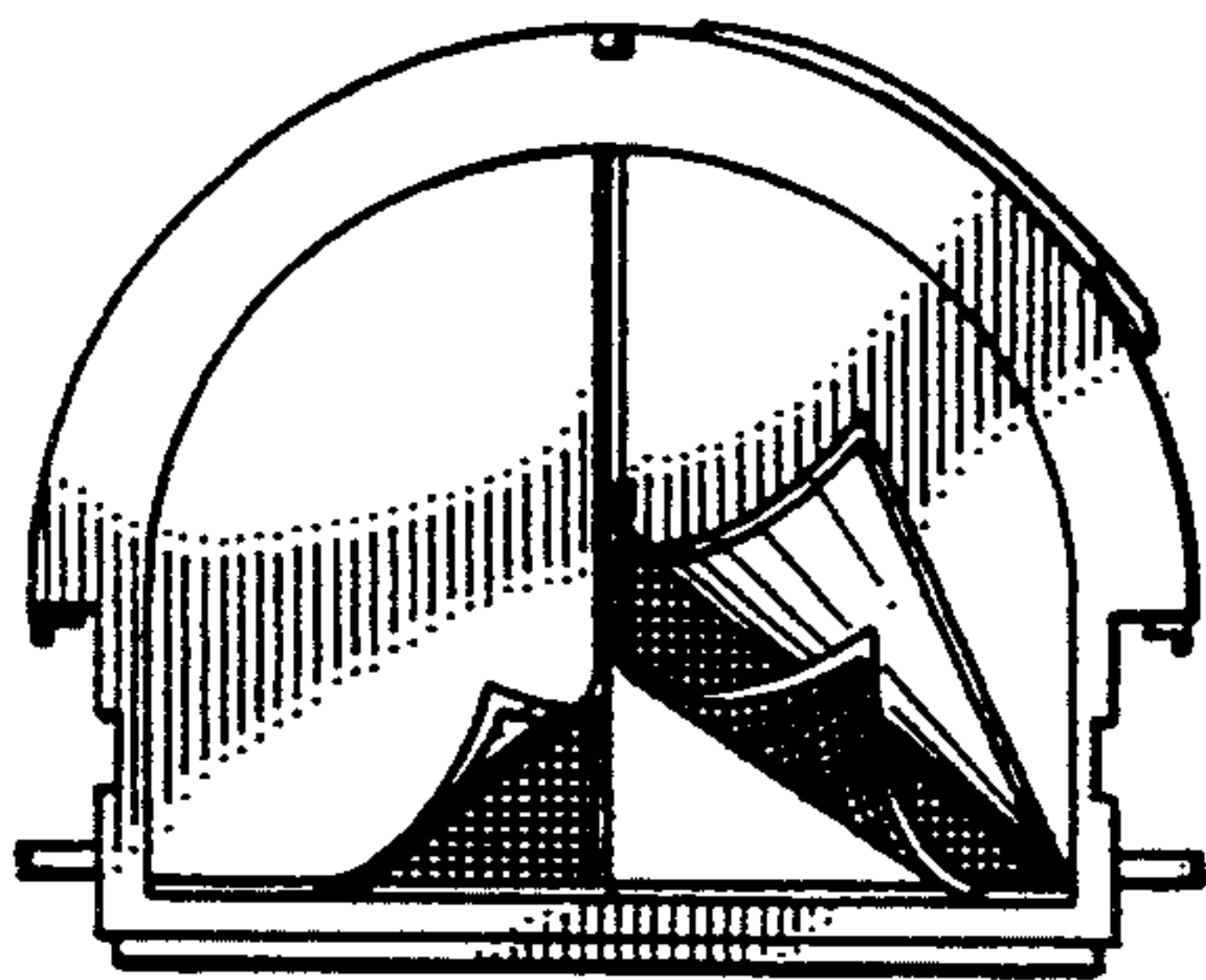
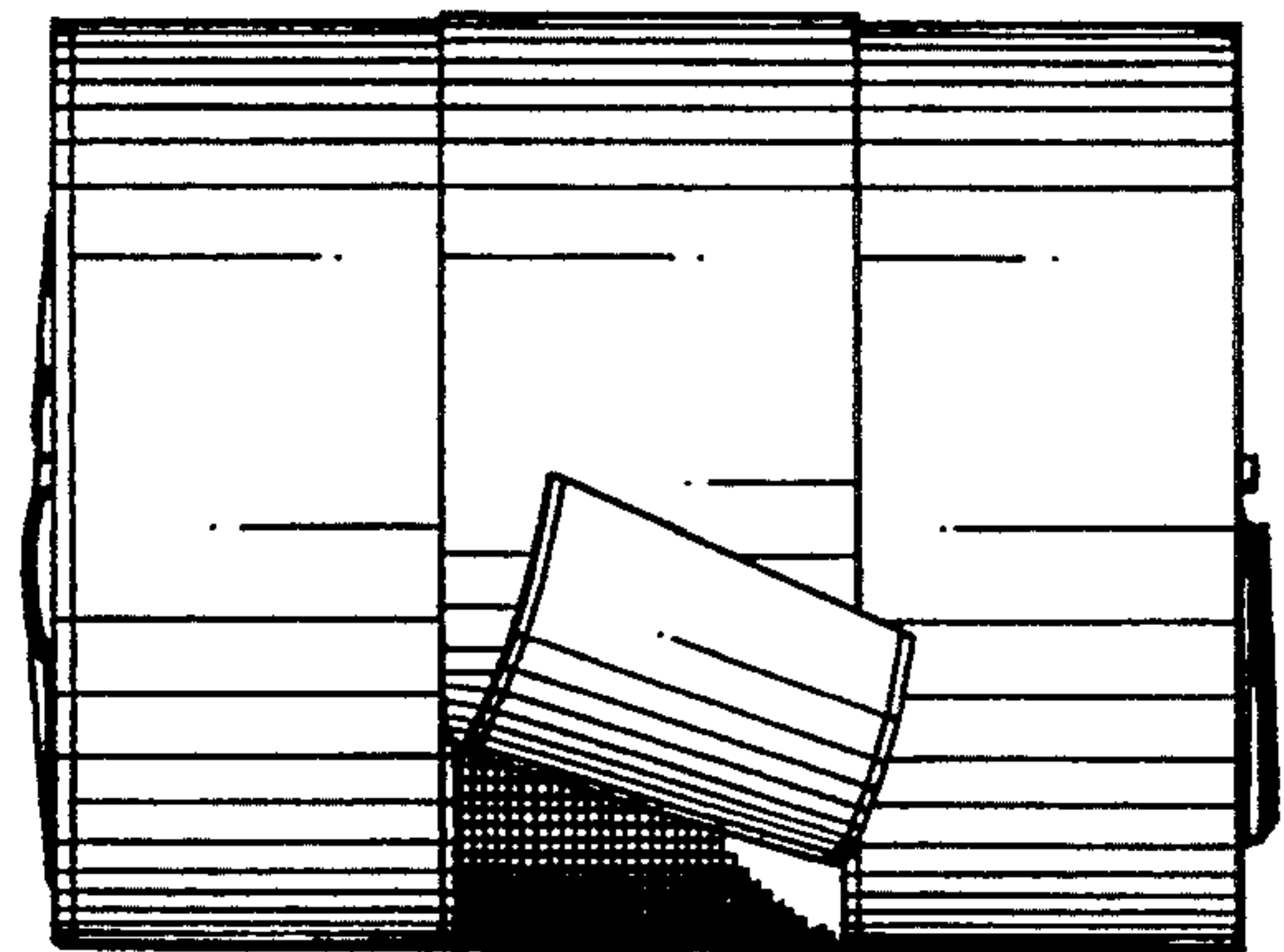


FIG. 4

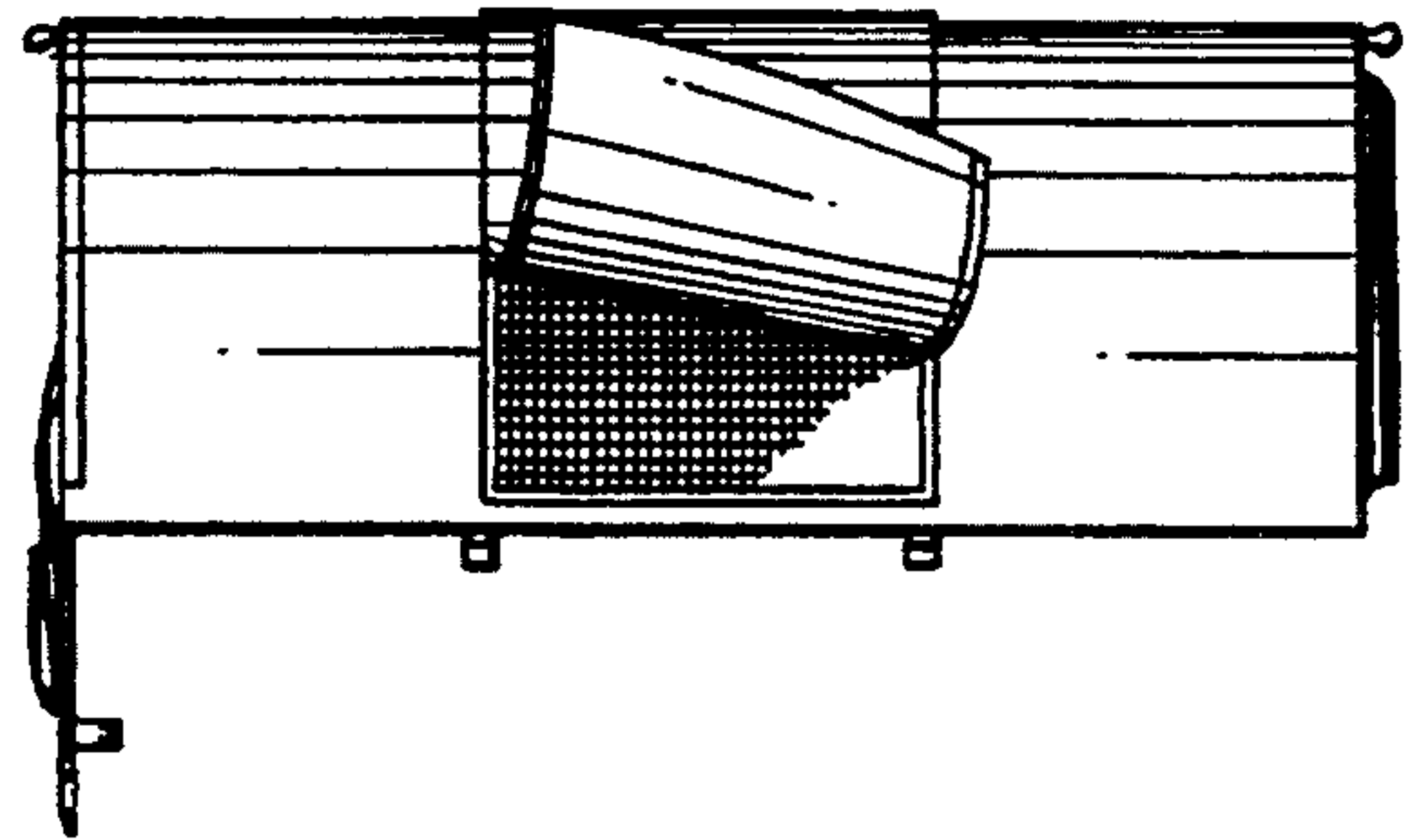


FIG. 5

FIG. 7

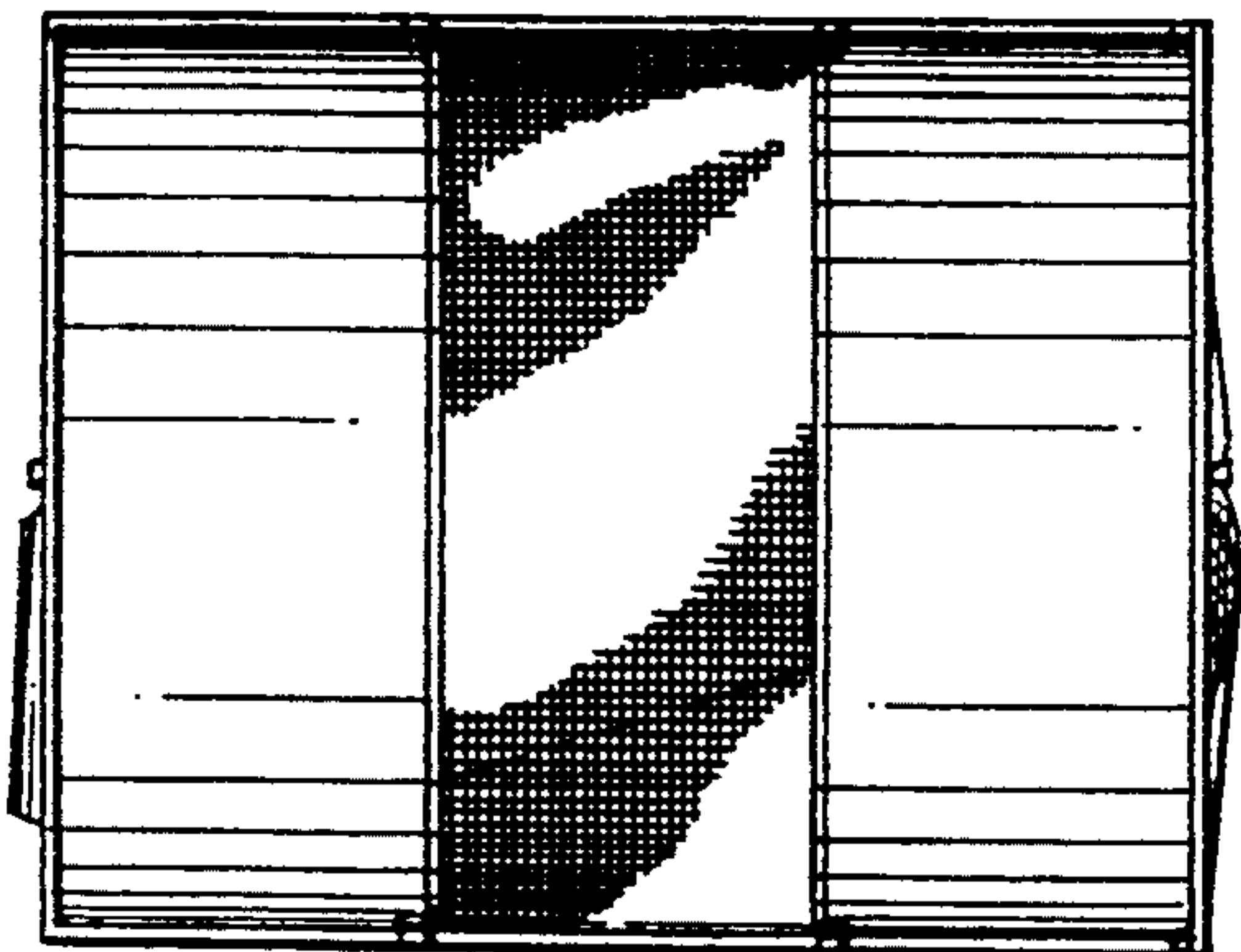
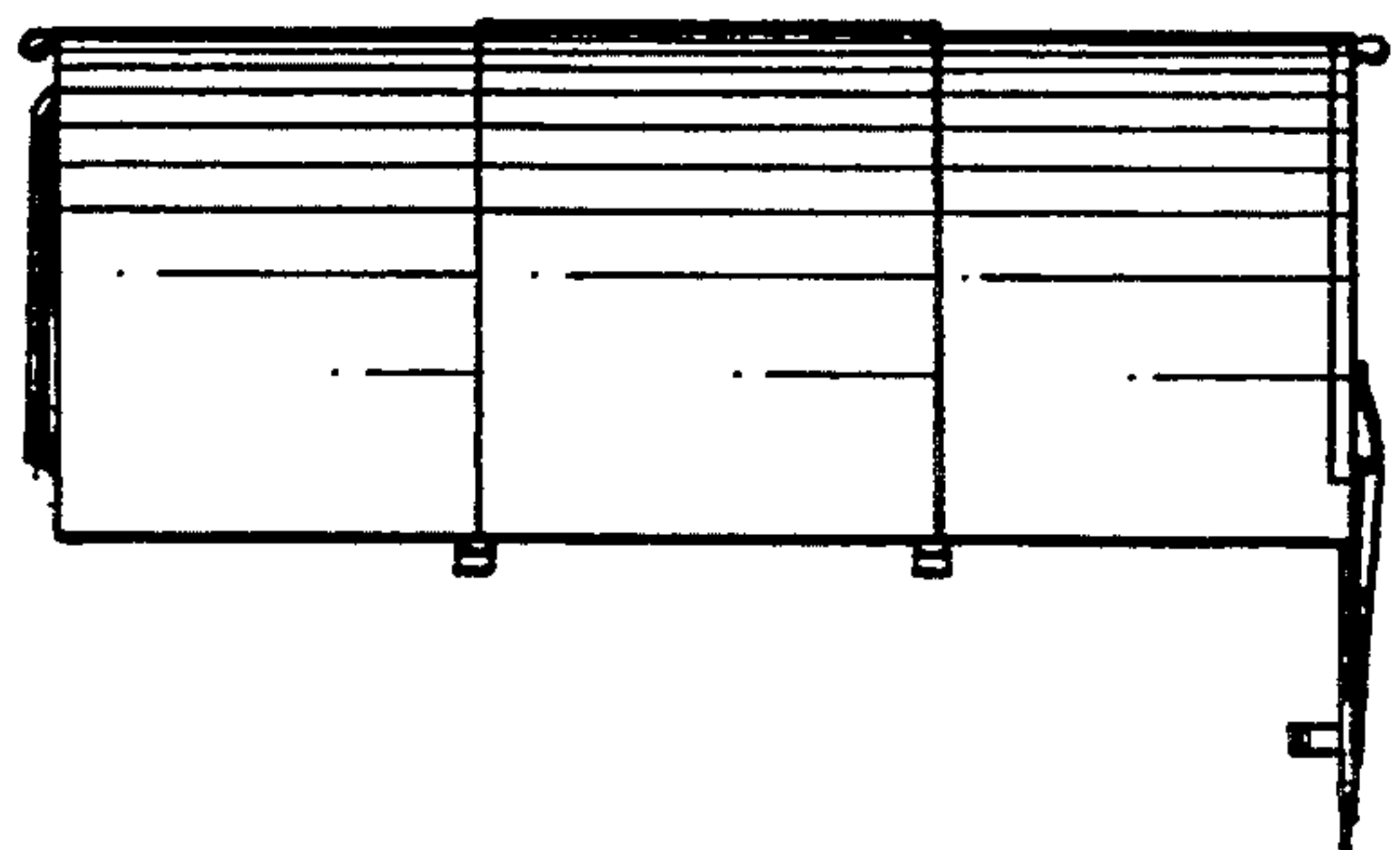


FIG. 6





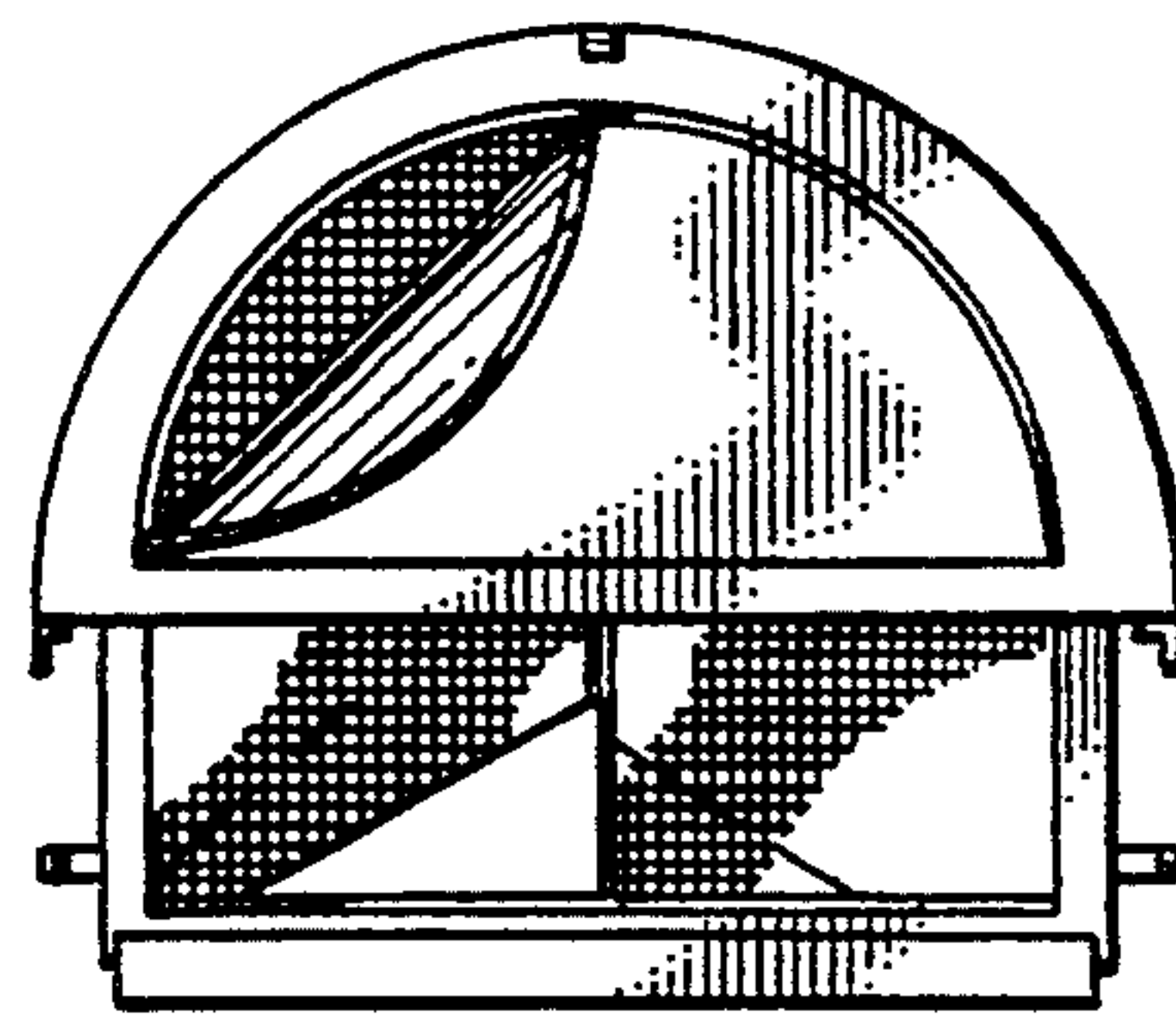
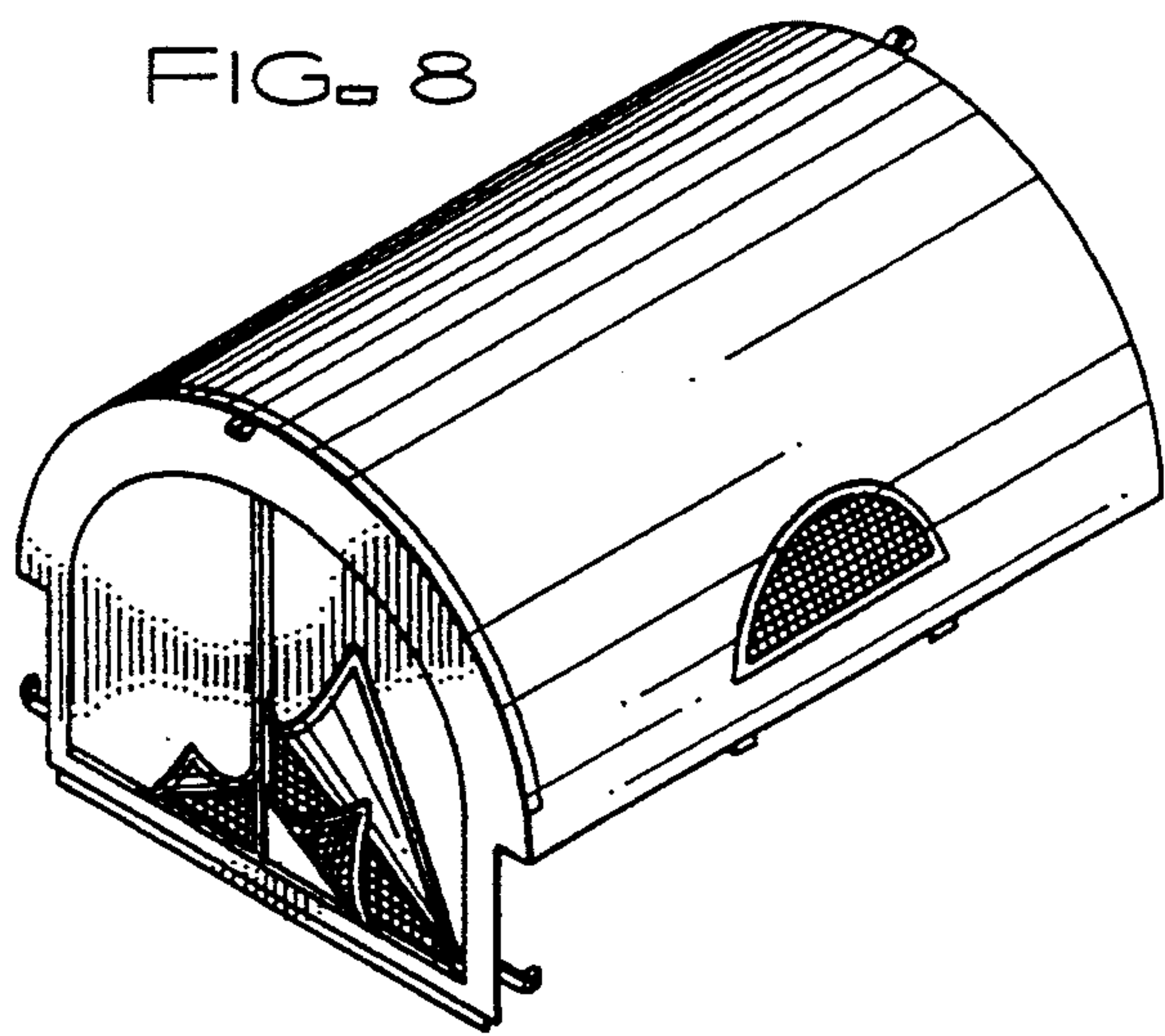


FIG. 9

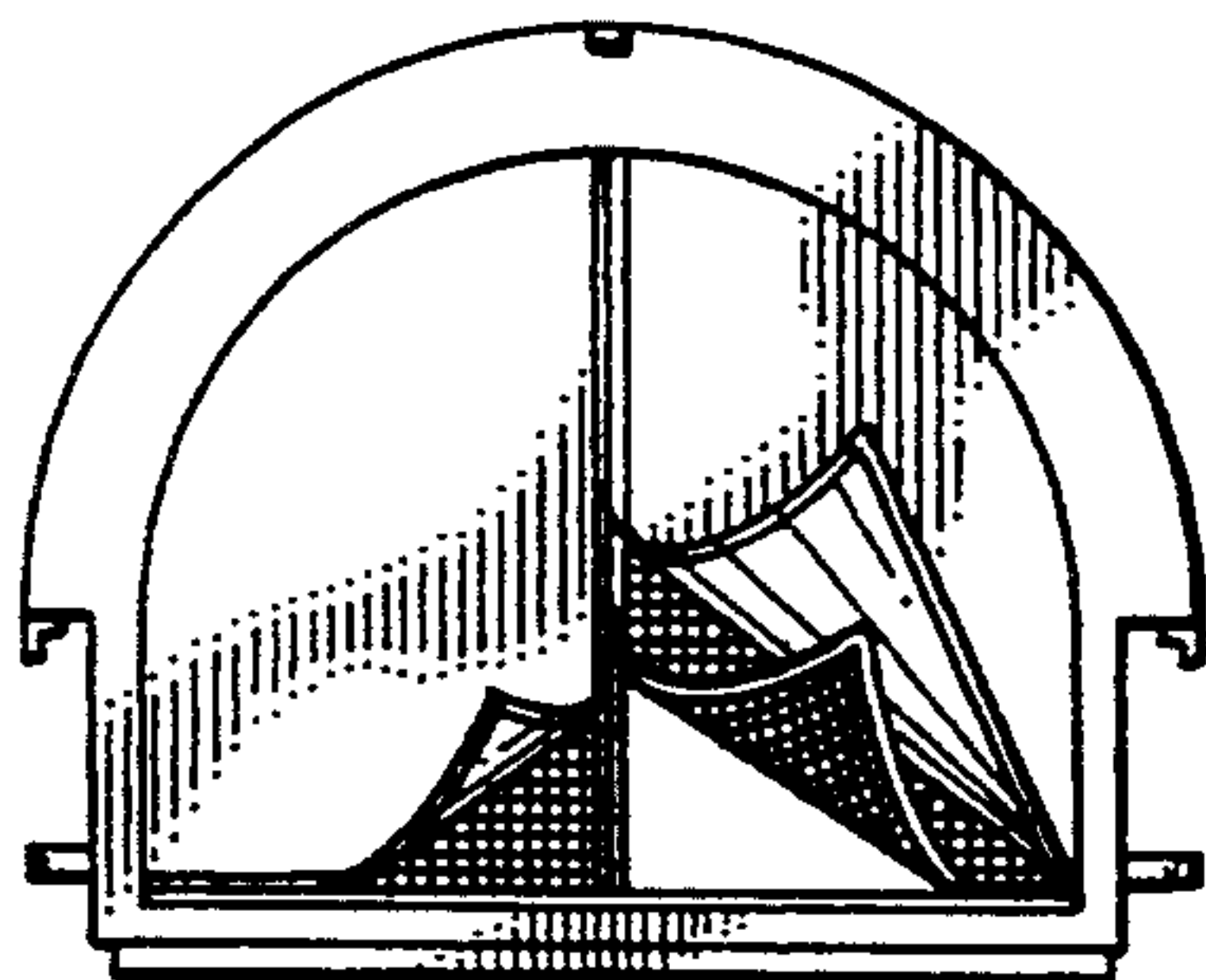


FIG. 10

FIG. 11

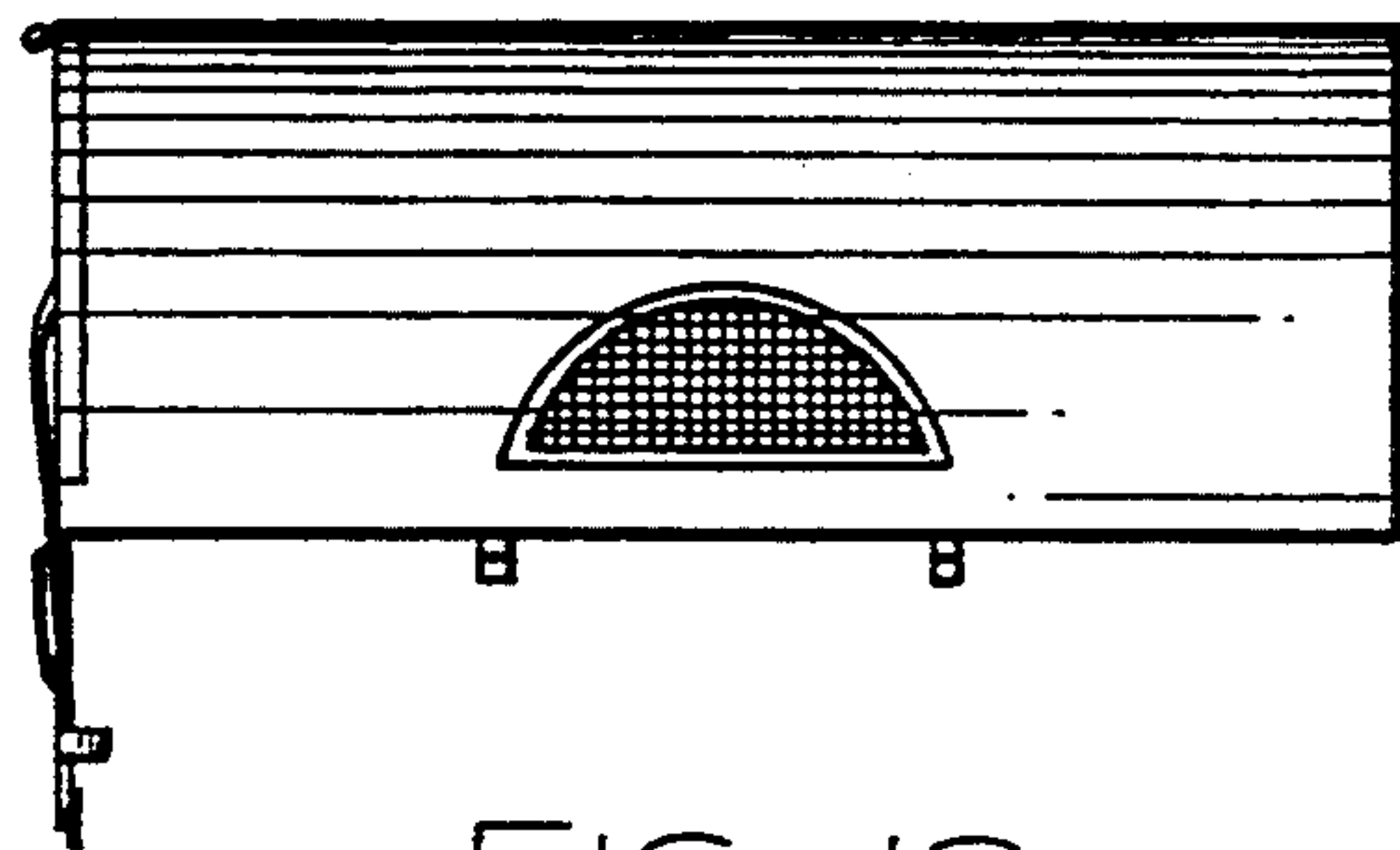
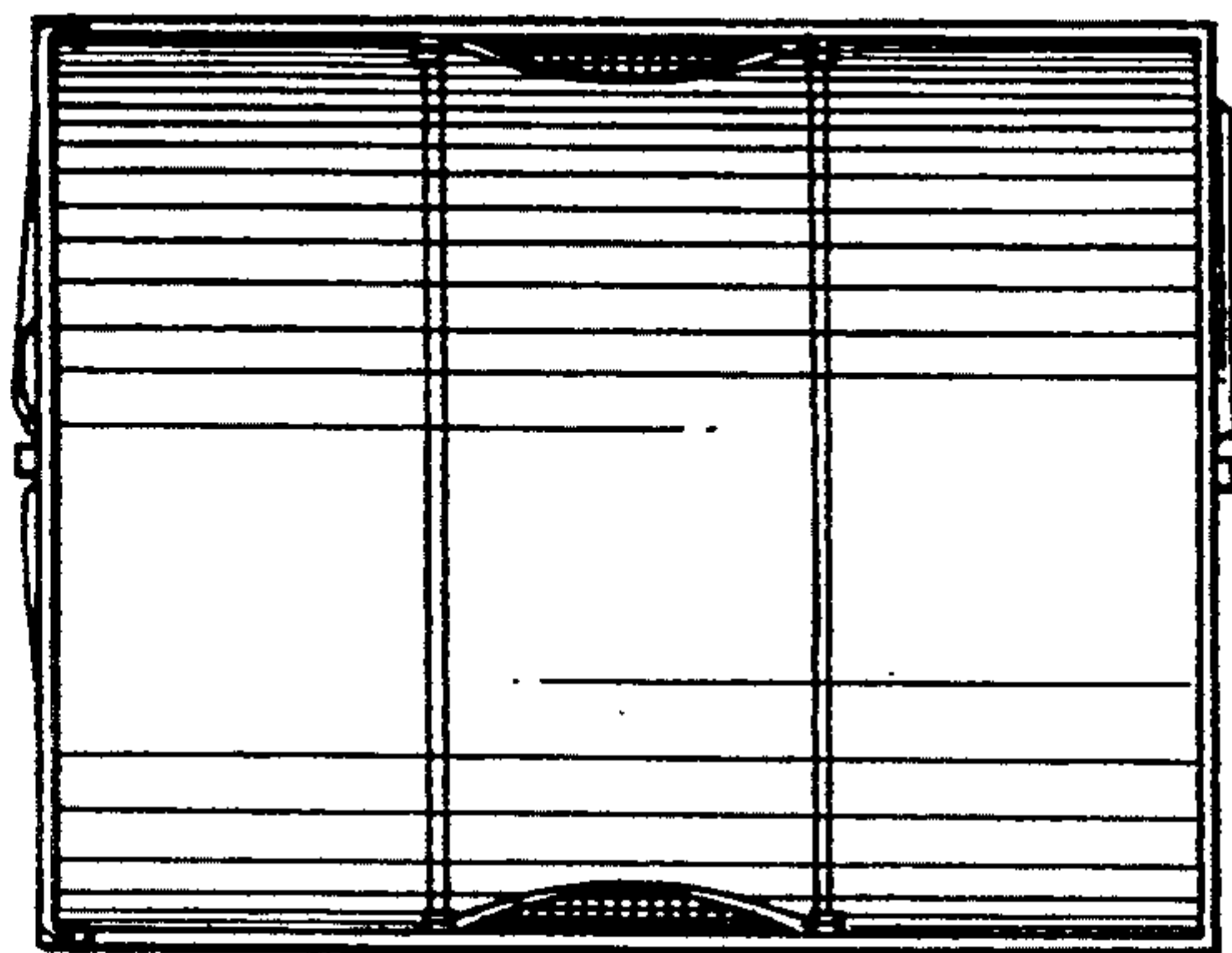
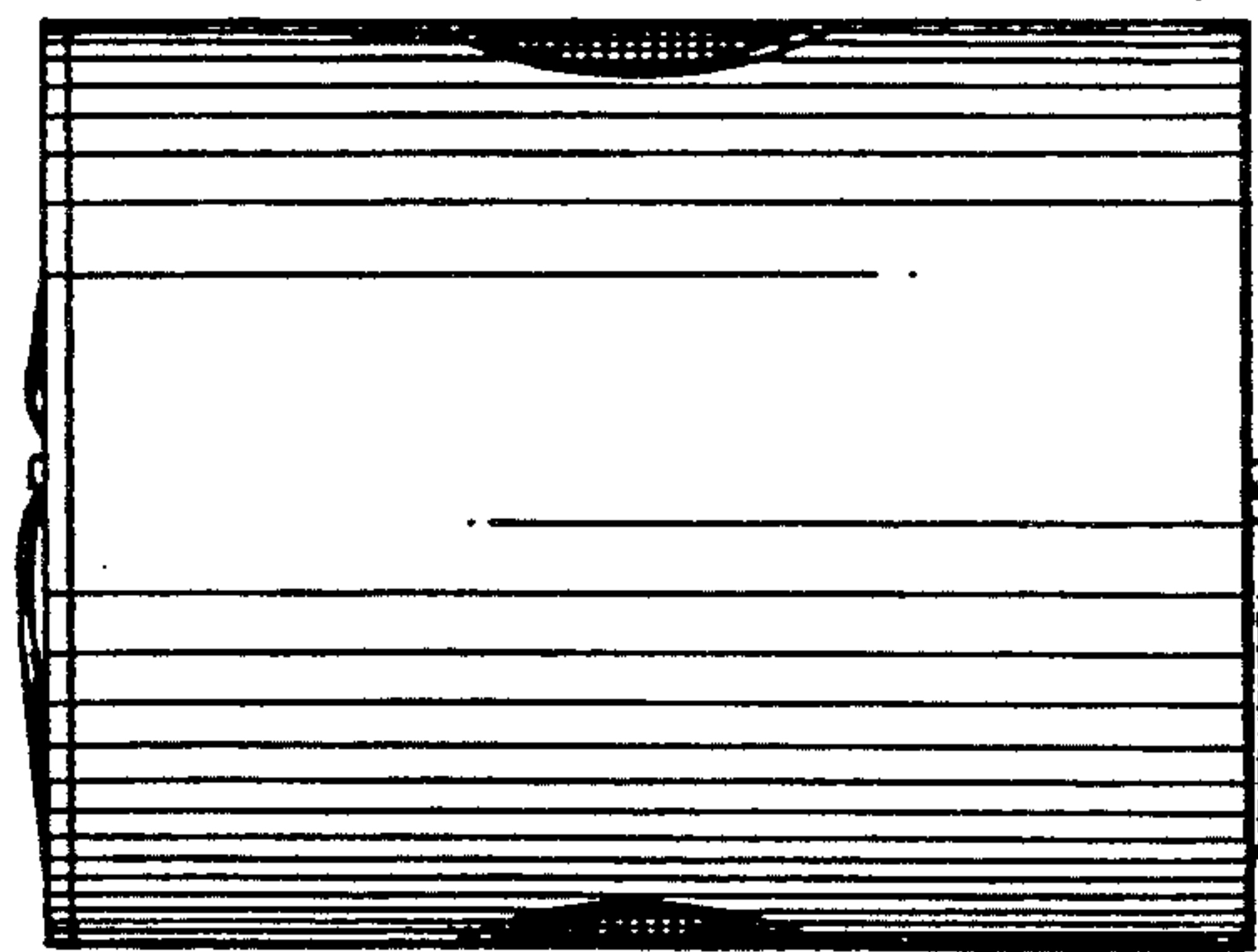


FIG. 13

FIG. 12

FIG. 14

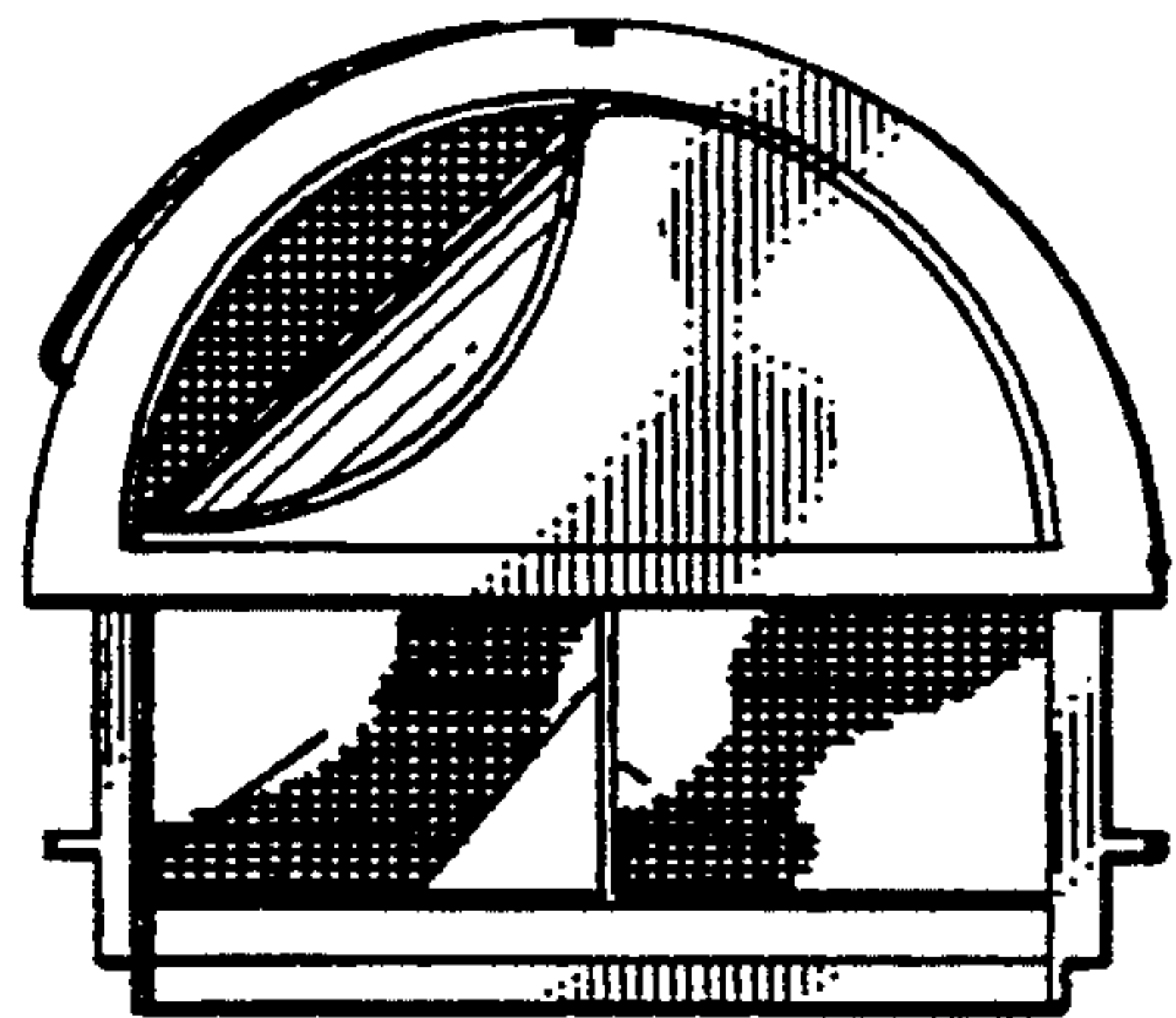
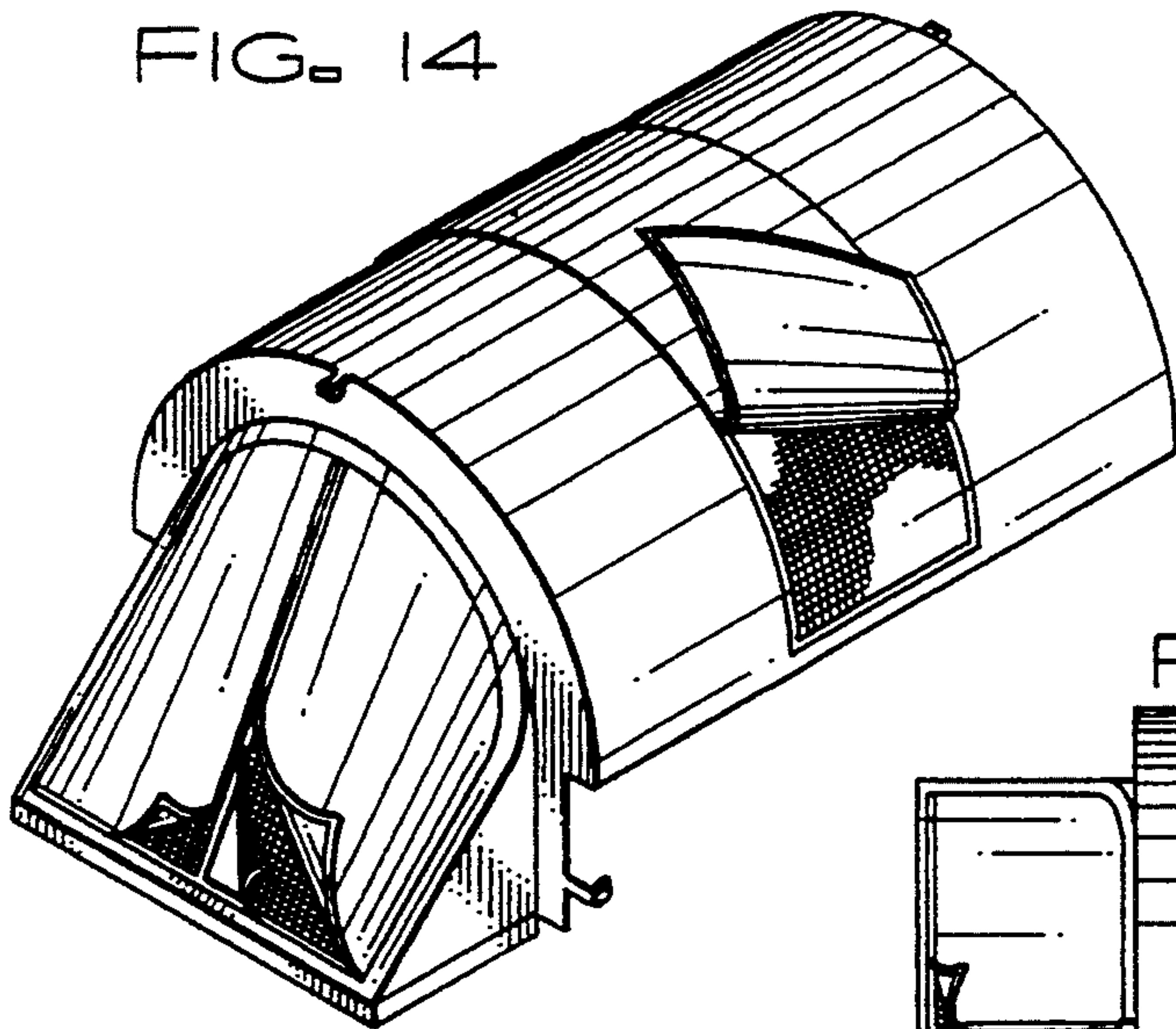


FIG. 15

FIG. 16

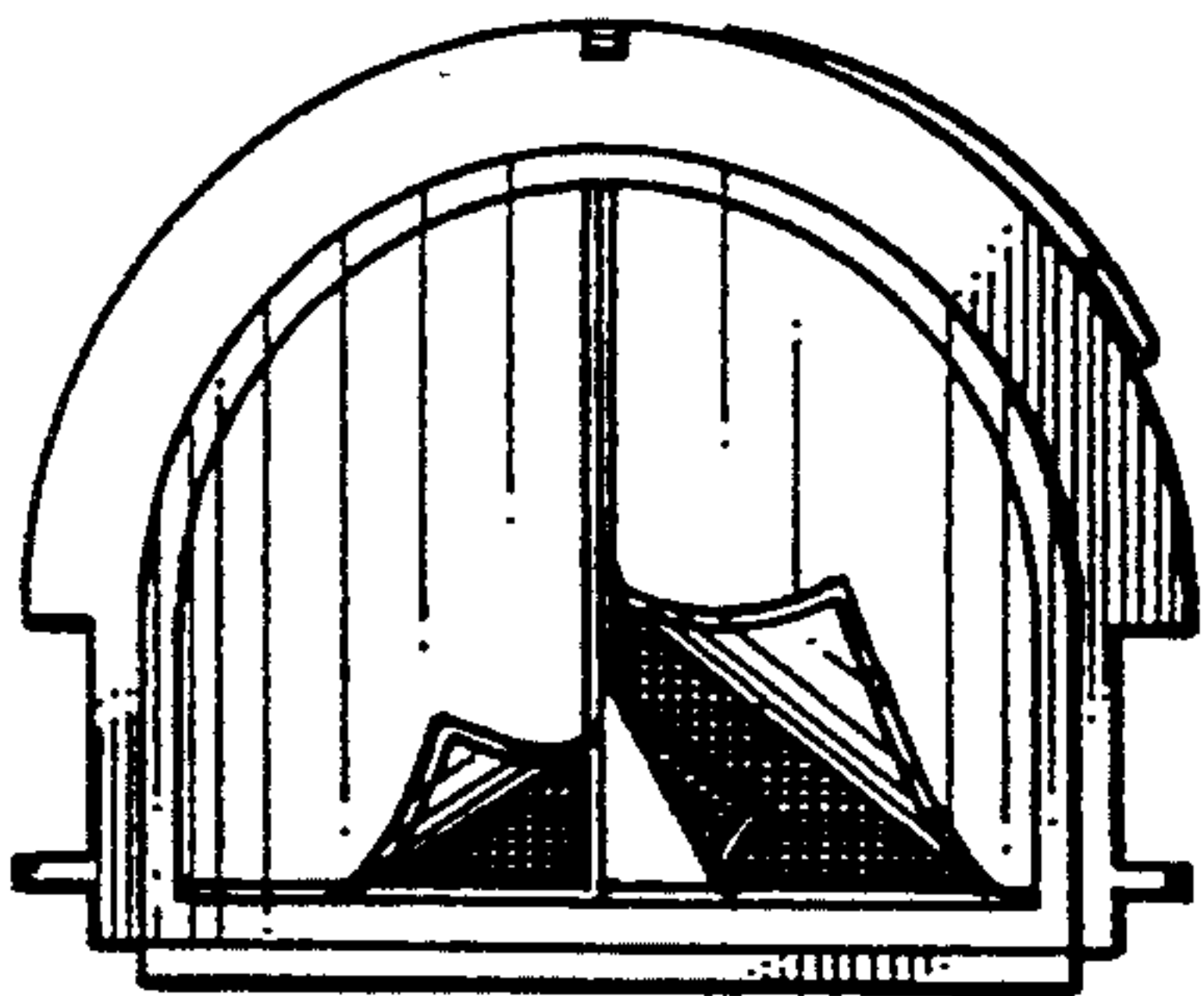
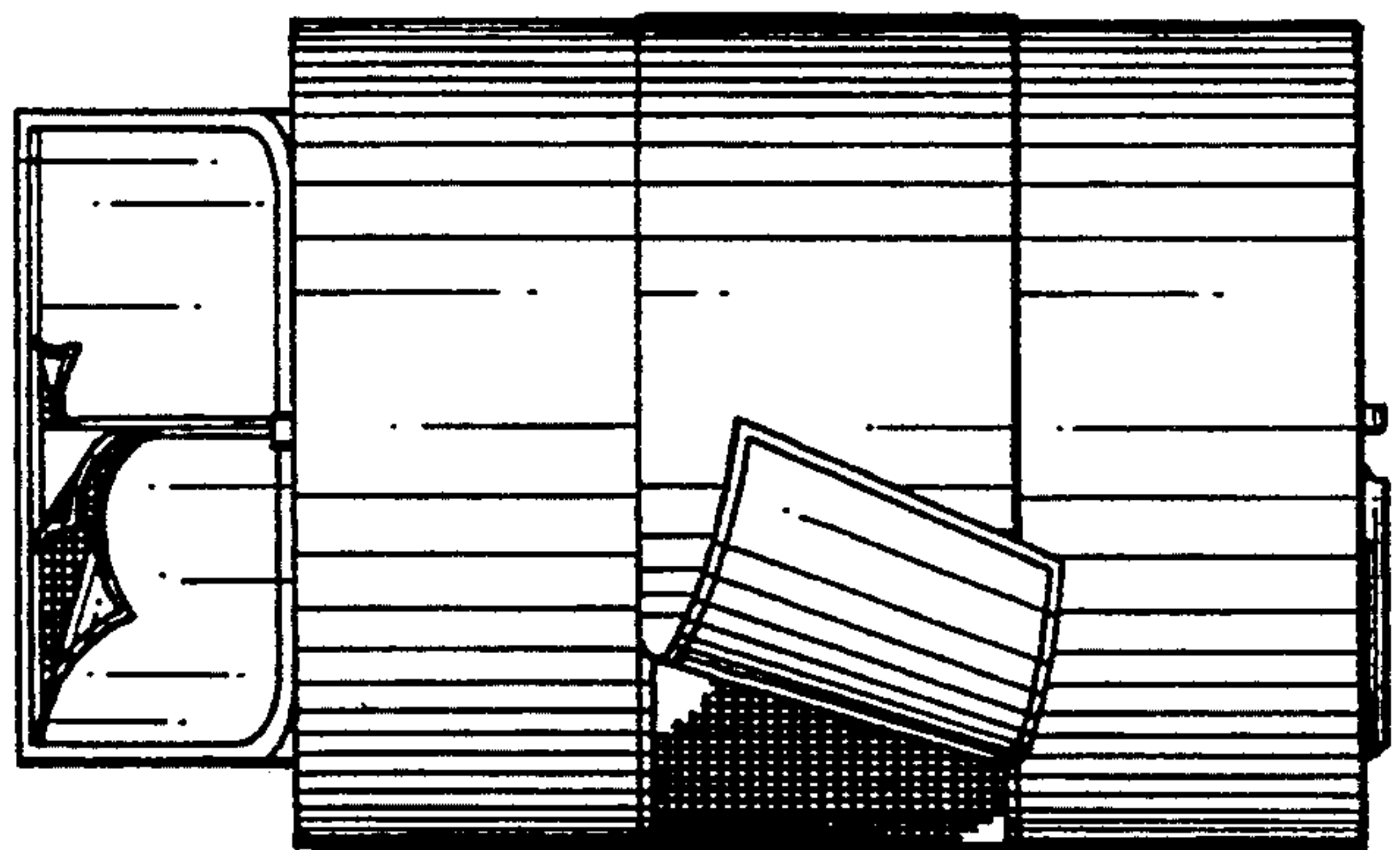


FIG. 17

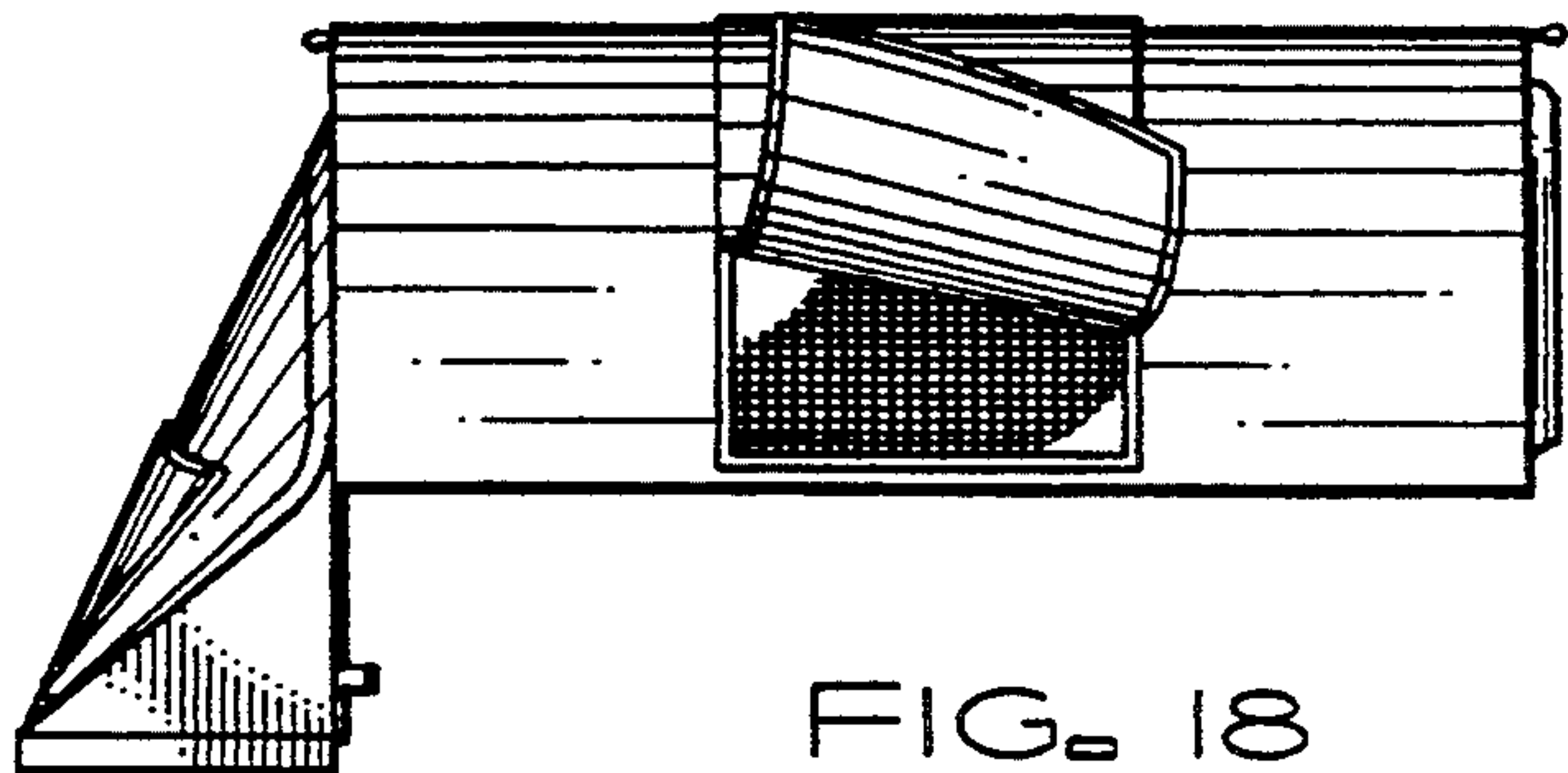


FIG. 18

FIG. 19

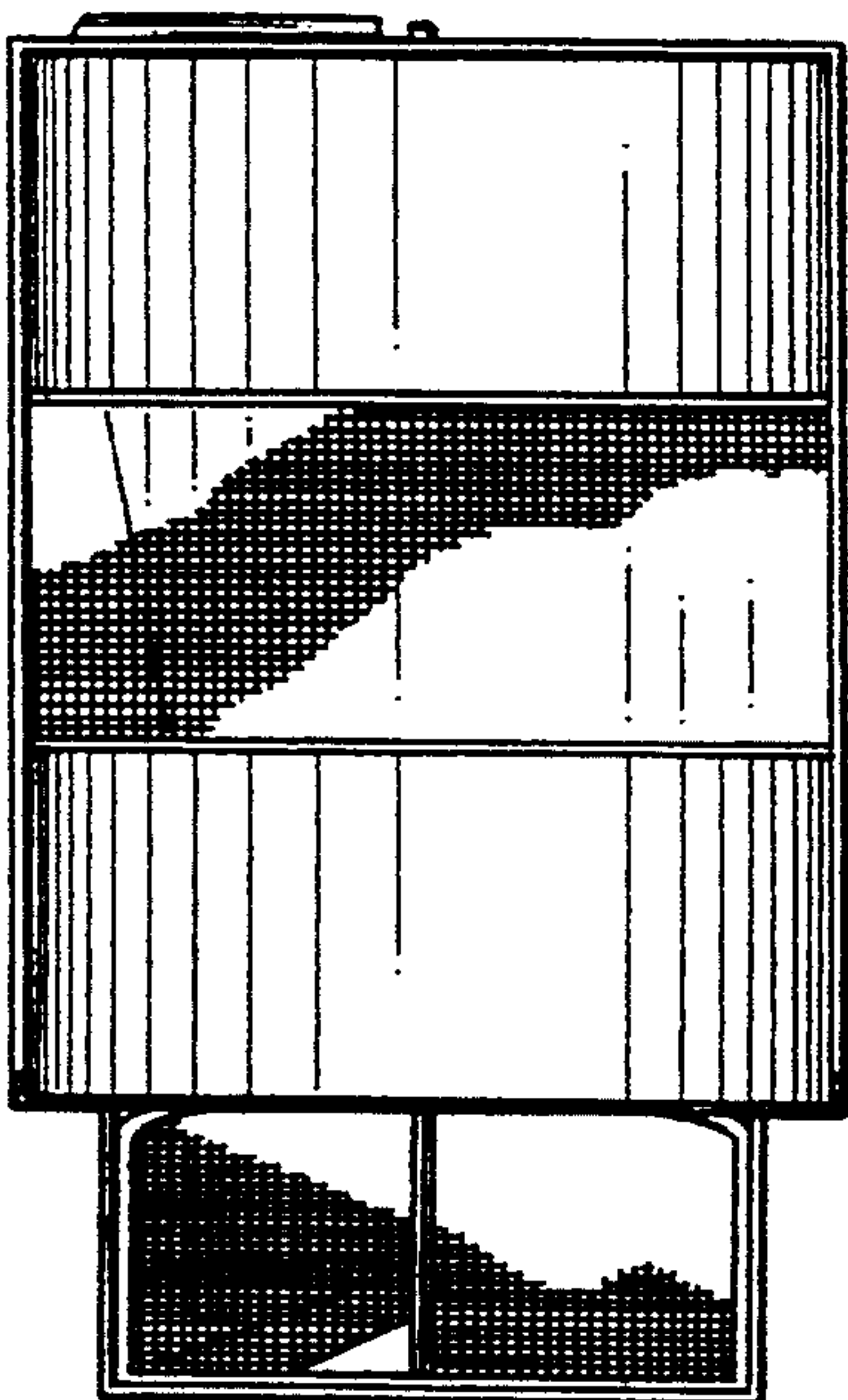
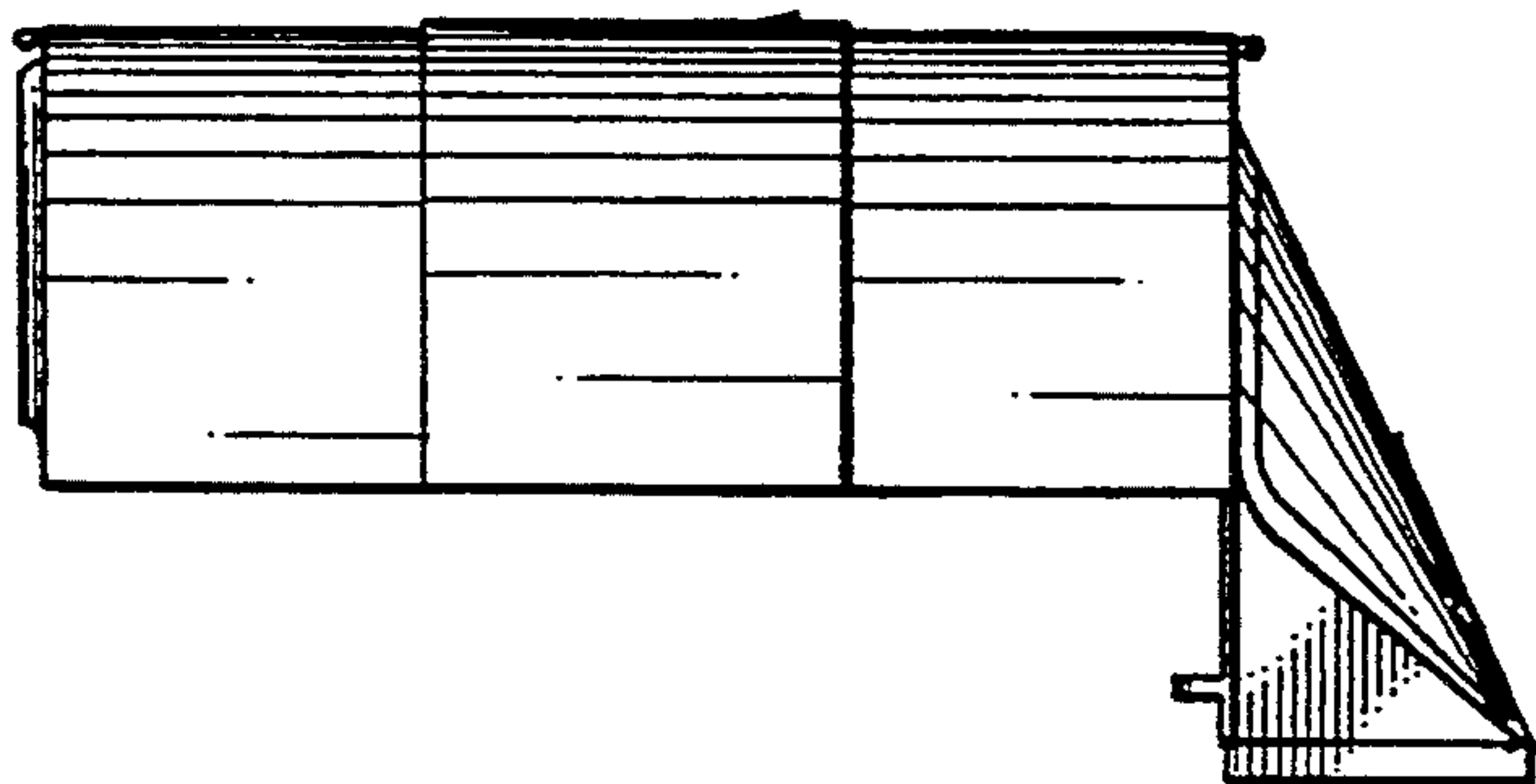


FIG. 20

UNITED STATES PATENT AND TRADEMARK OFFICE  
**CERTIFICATE OF CORRECTION**

PATENT NO. : Des. 352,690  
DATED : 22 November 1994  
INVENTOR(S) : Ronald A. Schorr

It is certified that error appears in the above-identified patent and that said Letters Patent is hereby corrected as shown below: **On title page,**

In FIG. 8, after "my alternate design", delete "thereof" and insert --therefor--.

Signed and Sealed this  
Thirty-first Day of January, 1995

Attest:



BRUCE LEHMAN

Attesting Officer

Commissioner of Patents and Trademarks