



US00D352687S

United States Patent [19]

[11] Patent Number: **Des. 352,687**

Markling

[45] Date of Patent: **** Nov. 22, 1994**

- [54] **BLOW MOLDED WHEEL**
- [75] Inventor: **Tracy Markling, Delavan, Wis.**
- [73] Assignee: **Poly-Flex, Inc., Walworth, Wis.**
- [**] Term: **14 Years**
- [21] Appl. No.: **12,057**
- [22] Filed: **Aug. 23, 1993**

Primary Examiner—James M. Gandy
Attorney, Agent, or Firm—Douglas L. Tschida

[57] CLAIM

The ornamental design for a blow molded wheel as shown and described.

DESCRIPTION

FIG. 1 shows an isometric view of my new design for a blow molded wheel;
 FIG. 2 shows a front elevation view thereof, the rear elevation view of which is a mirror image;
 FIG. 3 shows a cross section view taken along section lines 3—3 of FIG. 2;
 FIG. 4 shows a right side elevation view thereof, the left side, top and bottom views of which are substantially identical; and,
 FIG. 5 shows a front elevation view of a second embodiment of my new design, the rear elevation view of which is a mirror image and the side elevation and top and bottom plan views of which are substantially identical to FIG. 4.

It being understood that the only differences reside in the diameter of the hub opening and the omission of the integral axle retainer recessed within the hub opening shown in FIGS. 2 and 3.

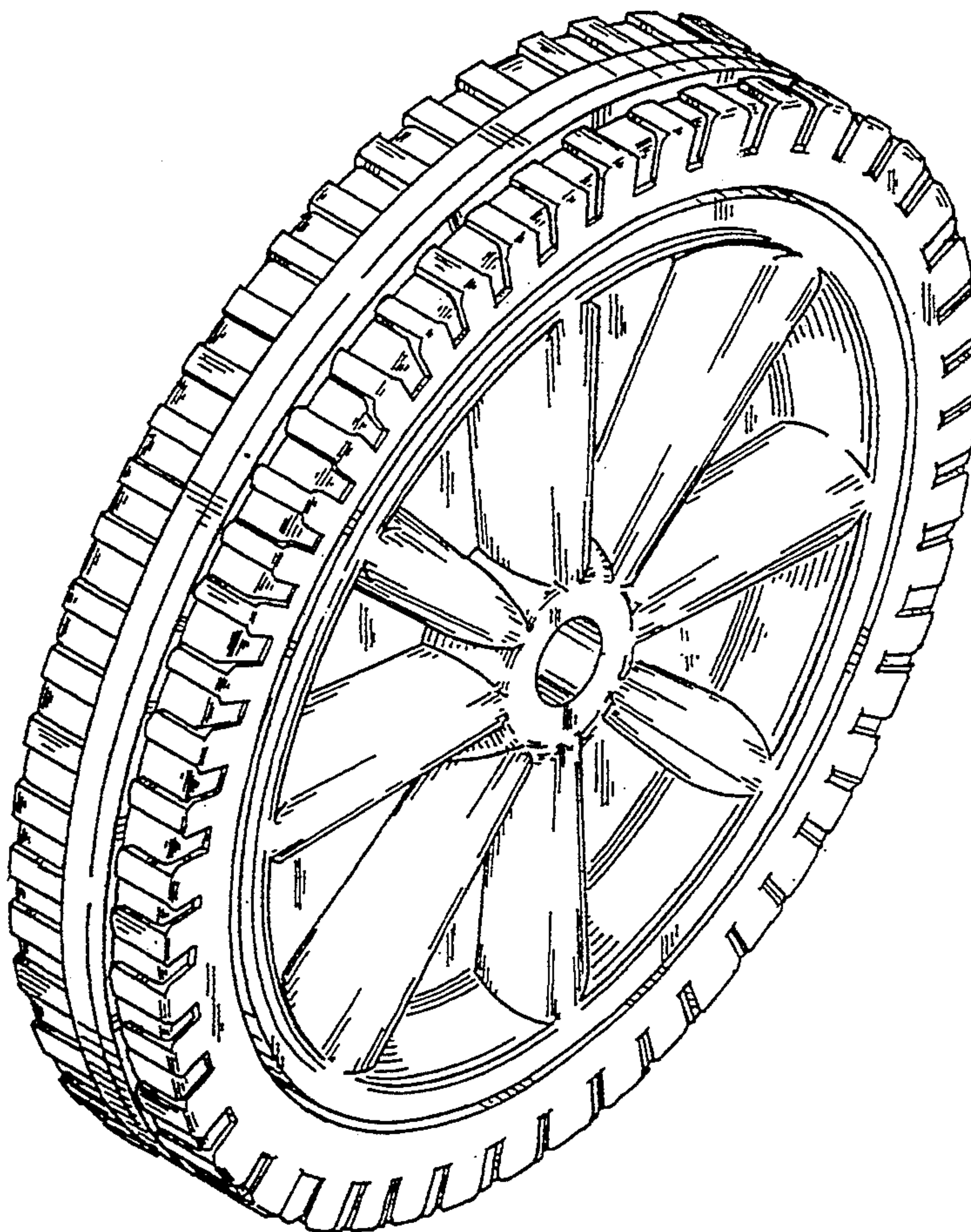
Related U.S. Application Data

- [63] Continuation-in-part of Ser. No. 80,366, Jun. 21, 1993.
- [52] U.S. Cl. **D12/204**
- [58] Field of Search 301/63.1, 64.1, 64.7;
152/323; D12/135, 204

References Cited

U.S. PATENT DOCUMENTS

D. 249,678	9/1978	Rotheiser	D12/204
D. 327,048	6/1992	Markling	D12/204
D. 328,053	7/1992	Markling	D12/204
1,491,559	4/1924	Slick	301/64.1
3,470,933	10/1969	Molnar	301/63.1
3,604,756	9/1971	Gruber	301/63.1



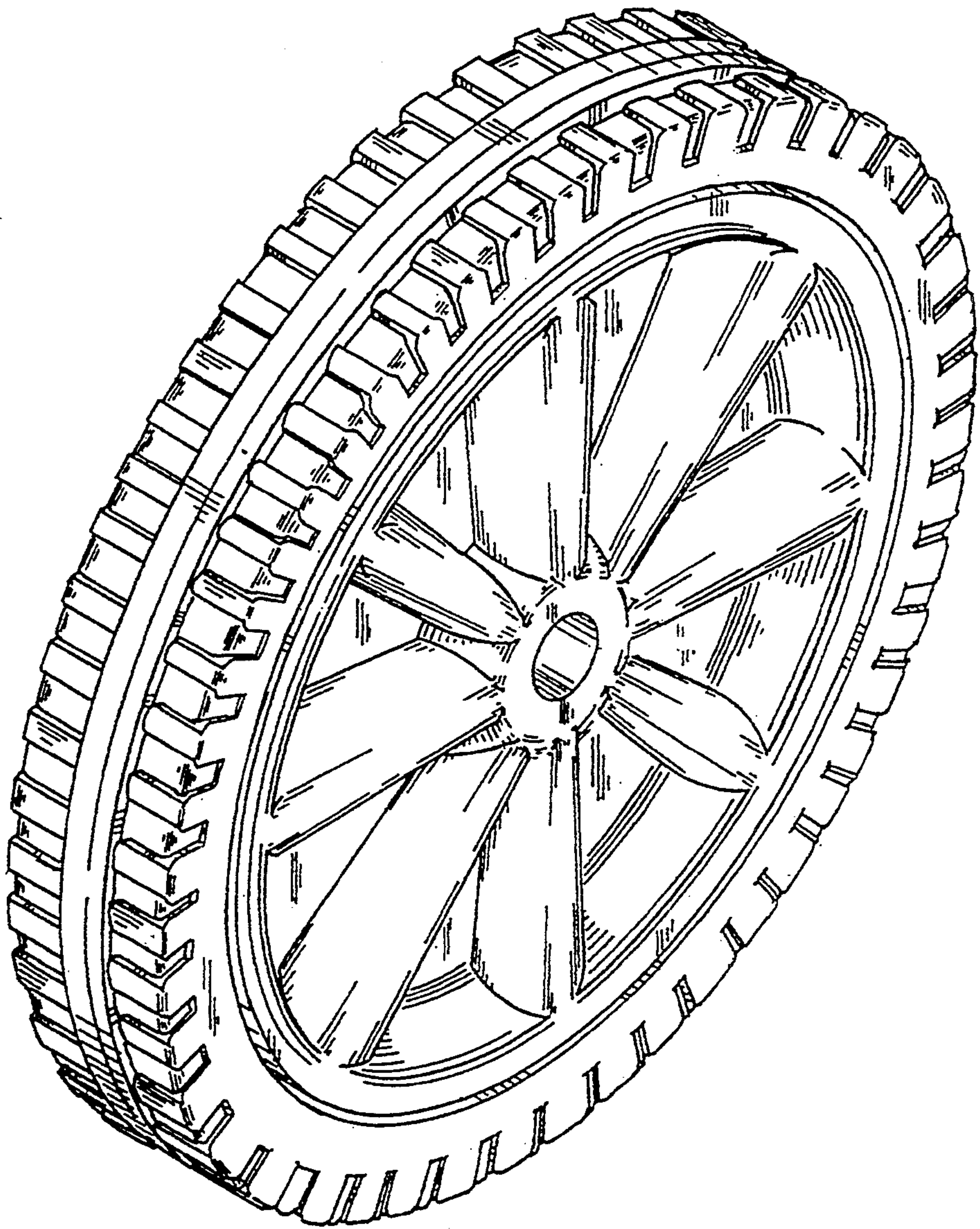


FIG. 1

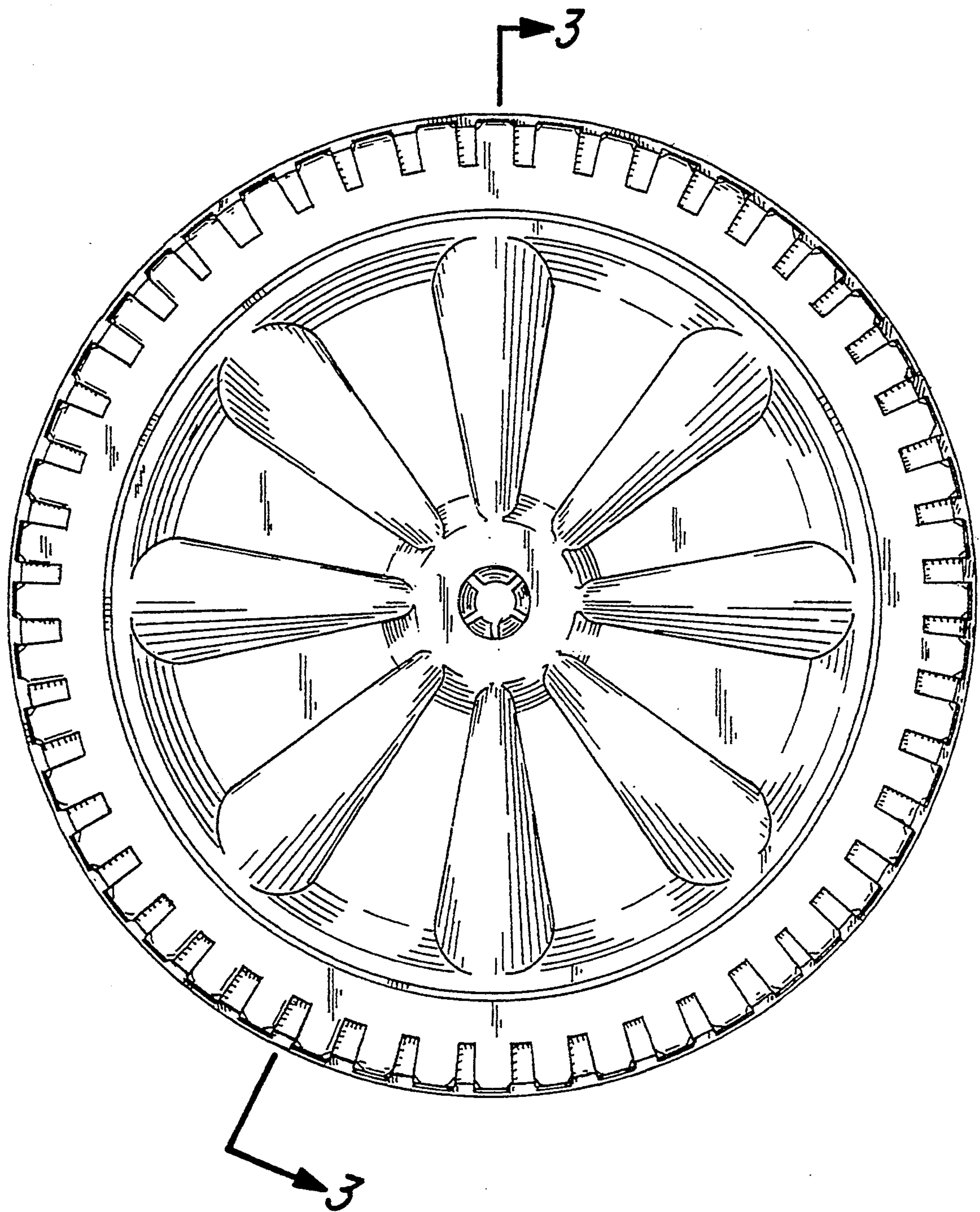


FIG. 2

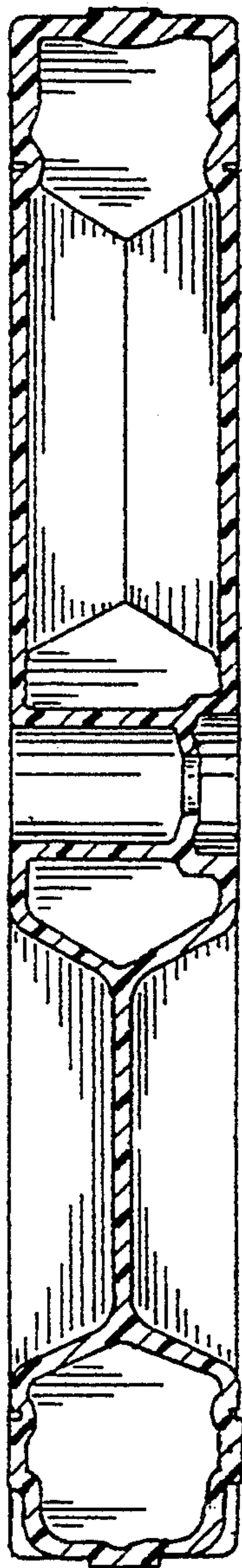


FIG. 3

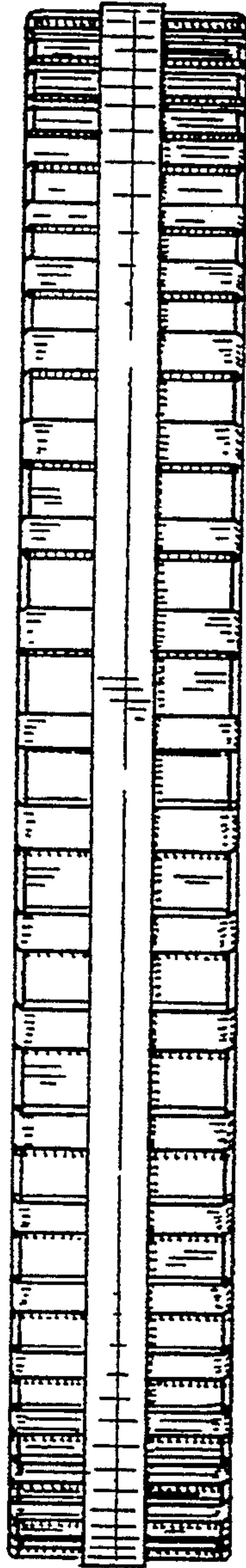


FIG. 4

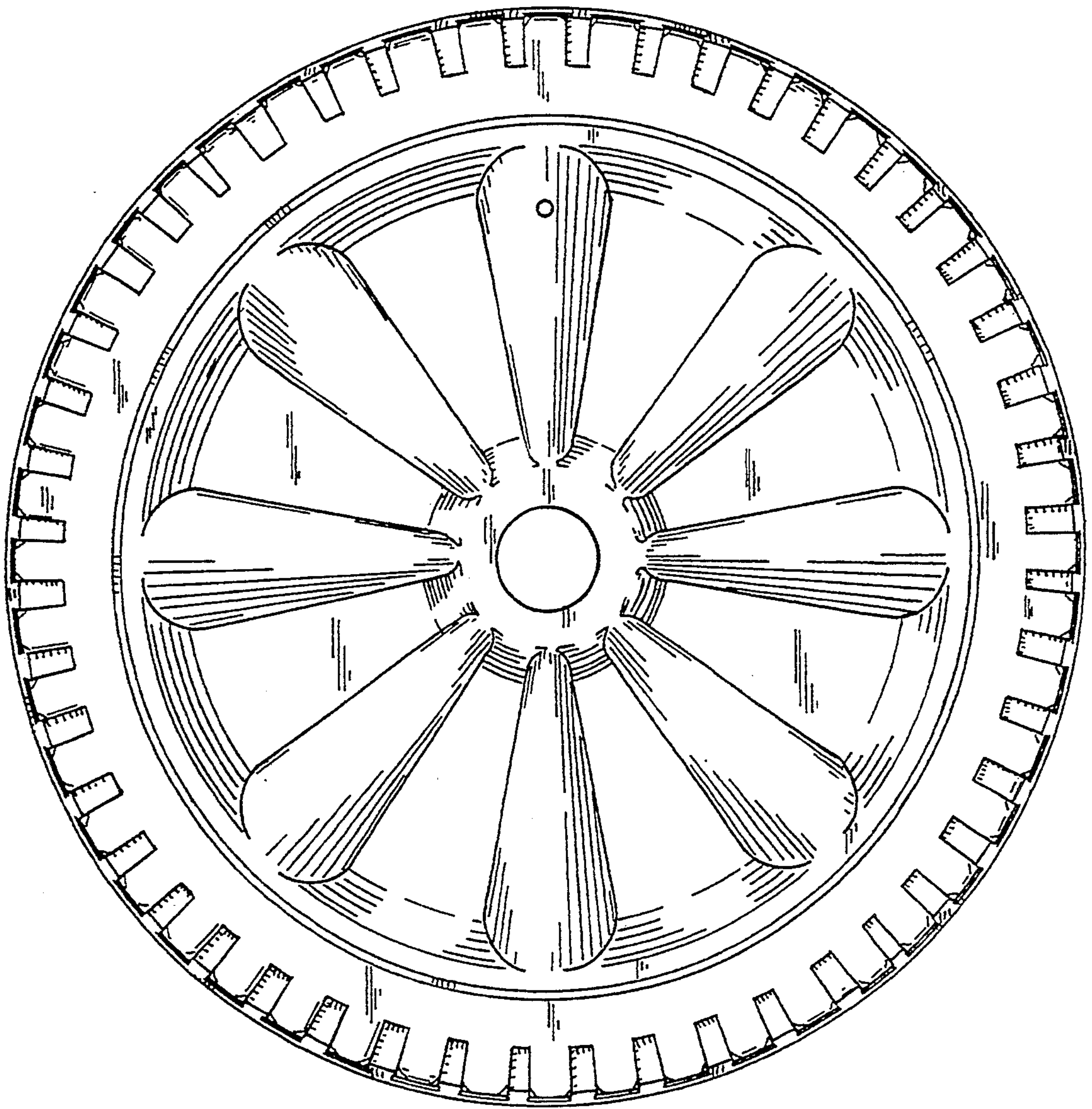


FIG. 5