



US00D352684S

# United States Patent [19]

[11] Patent Number: **Des. 352,684**

Smith et al.

[45] Date of Patent: **\*\* Nov. 22, 1994**

[54] **PATIENT ELEVATING WHEEL CHAIR**

5,060,960 10/1991 Brascumb .  
5,179,745 1/1993 Hebert et al. .... 5/620

[76] Inventors: **Harry W. Smith; E. Thelma Smith,**  
both of R.D. 4 Box 111, Johnstown,  
Pa. 15905

*Primary Examiner—Kay H. Chin*  
*Attorney, Agent, or Firm—Terry M. Gernstein*

[\*\*] Term: **14 Years**

[57] **CLAIM**

[21] Appl. No.: **7,540**

The ornamental design for a patient elevating wheel chair, as shown and described.

[22] Filed: **Apr. 26, 1993**

[52] U.S. Cl. .... **D12/131; D12/128**

[58] Field of Search ..... 280/250.1, 648, 650;  
297/DIG. 4; 5/620; D12/128, 131, 132

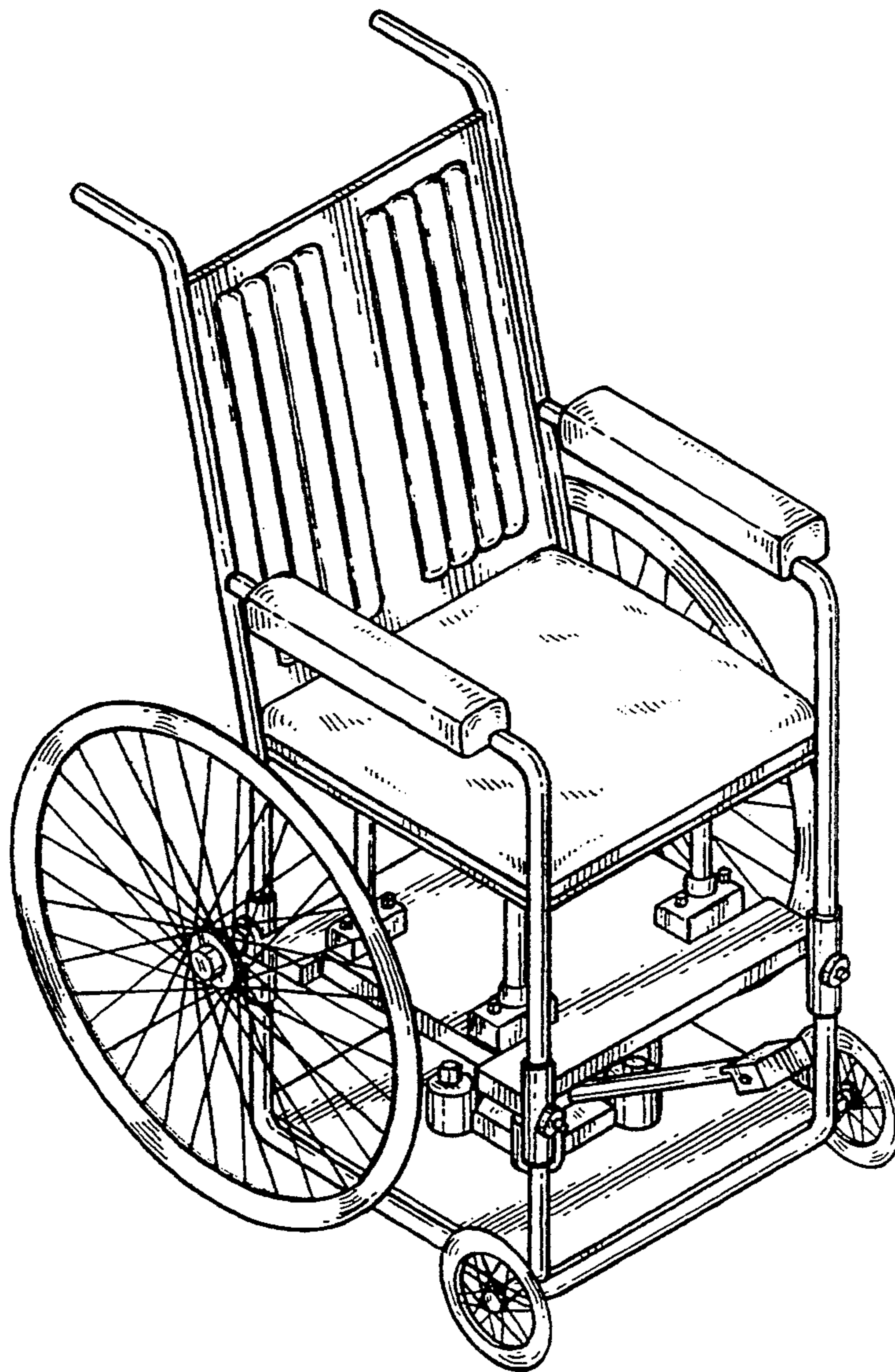
**DESCRIPTION**

[56] **References Cited**

**U.S. PATENT DOCUMENTS**

4,934,723 6/1990 Dysarz ..... 280/650  
4,993,736 2/1991 Garman .  
5,020,817 6/1991 Leib .

FIG. 1 is a front, top and side perspective view of the patient elevating wheel chair showing our new design; FIG. 2 is a front elevational view thereof; FIG. 3 is a rear elevational view thereof; FIG. 4 is a right side elevational view thereof; FIG. 5 is a left side elevational view thereof; FIG. 6 is a top plan view thereof; and, FIG. 7 is a bottom plan view thereof.



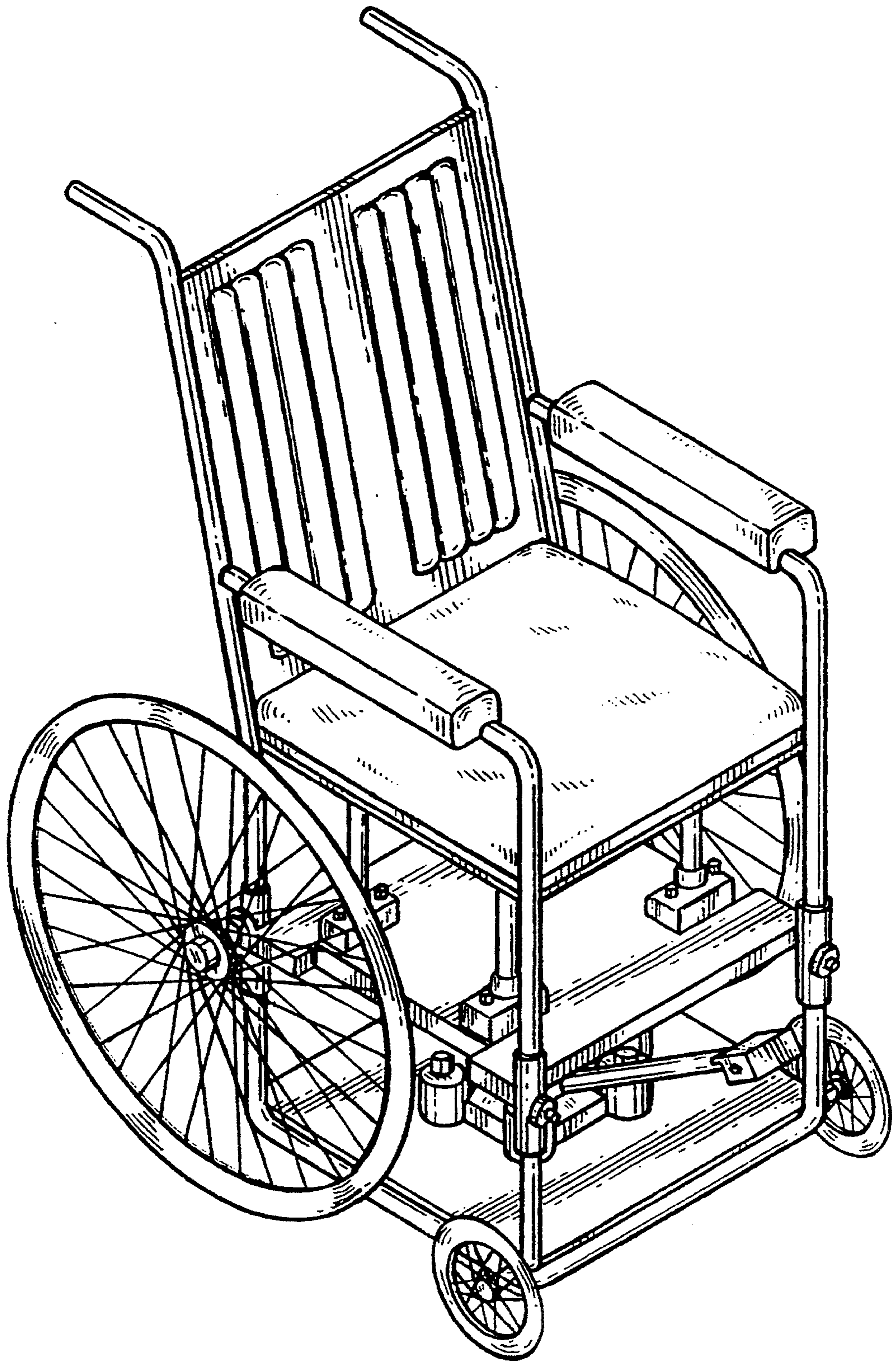


FIG. 1

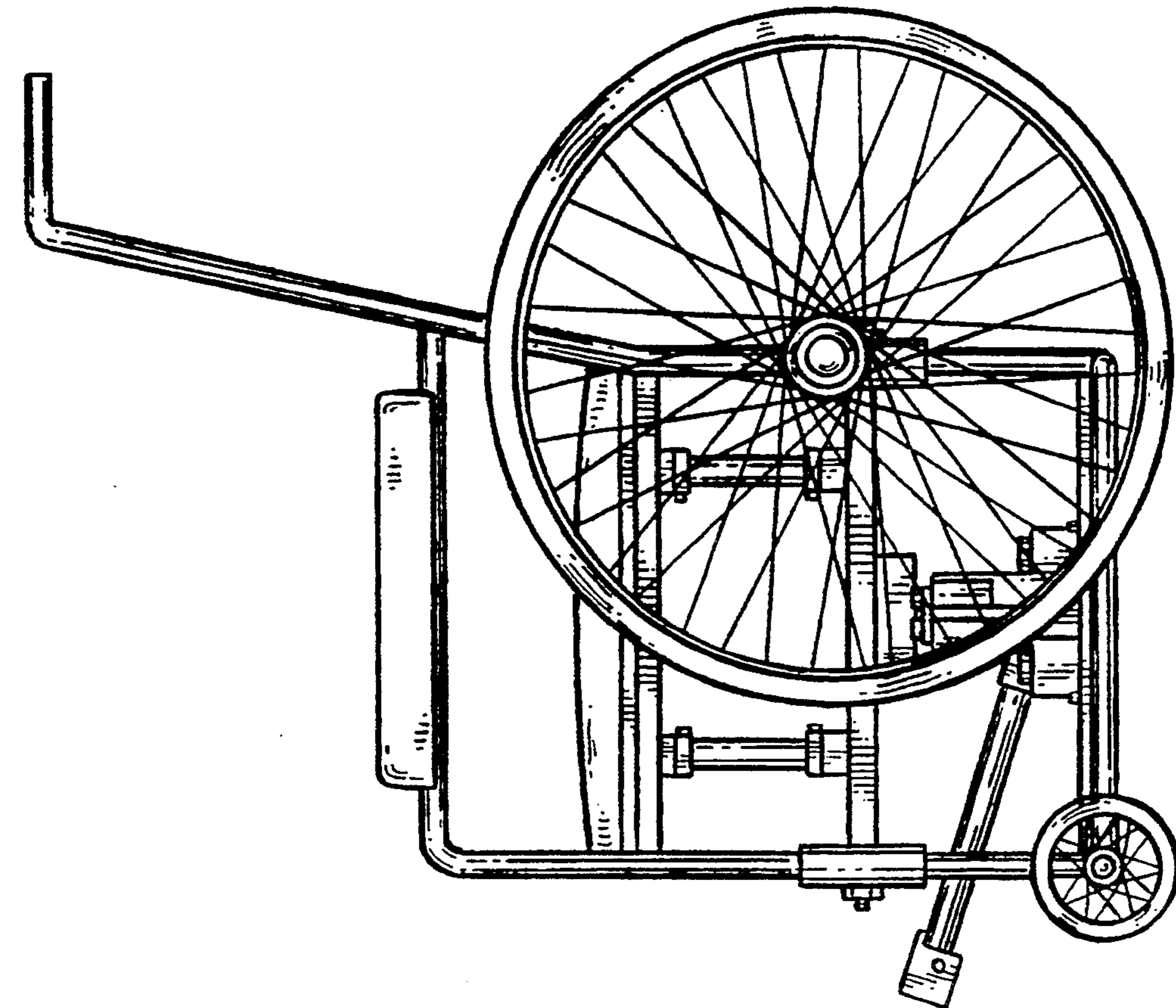


FIG. 4

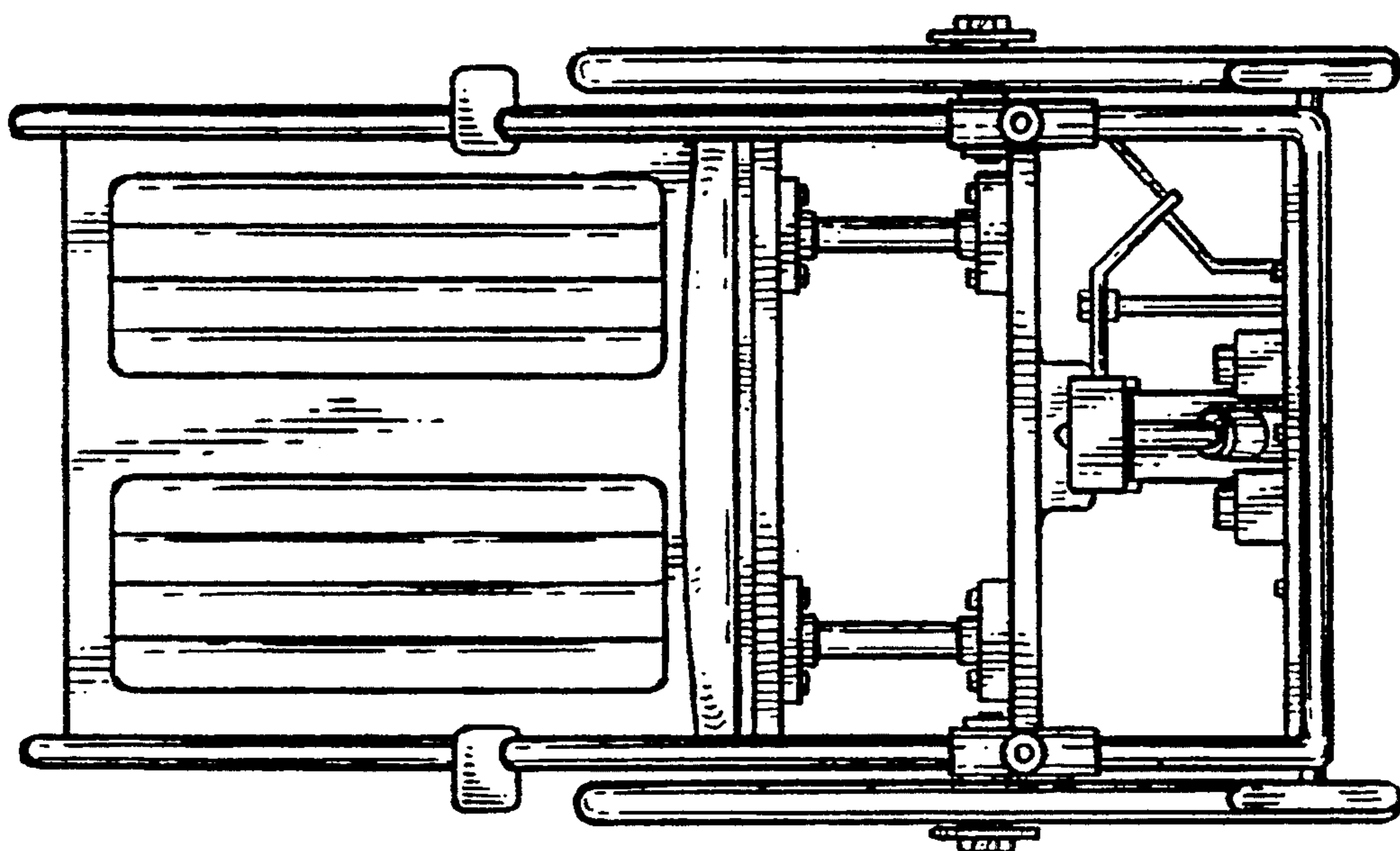


FIG. 2

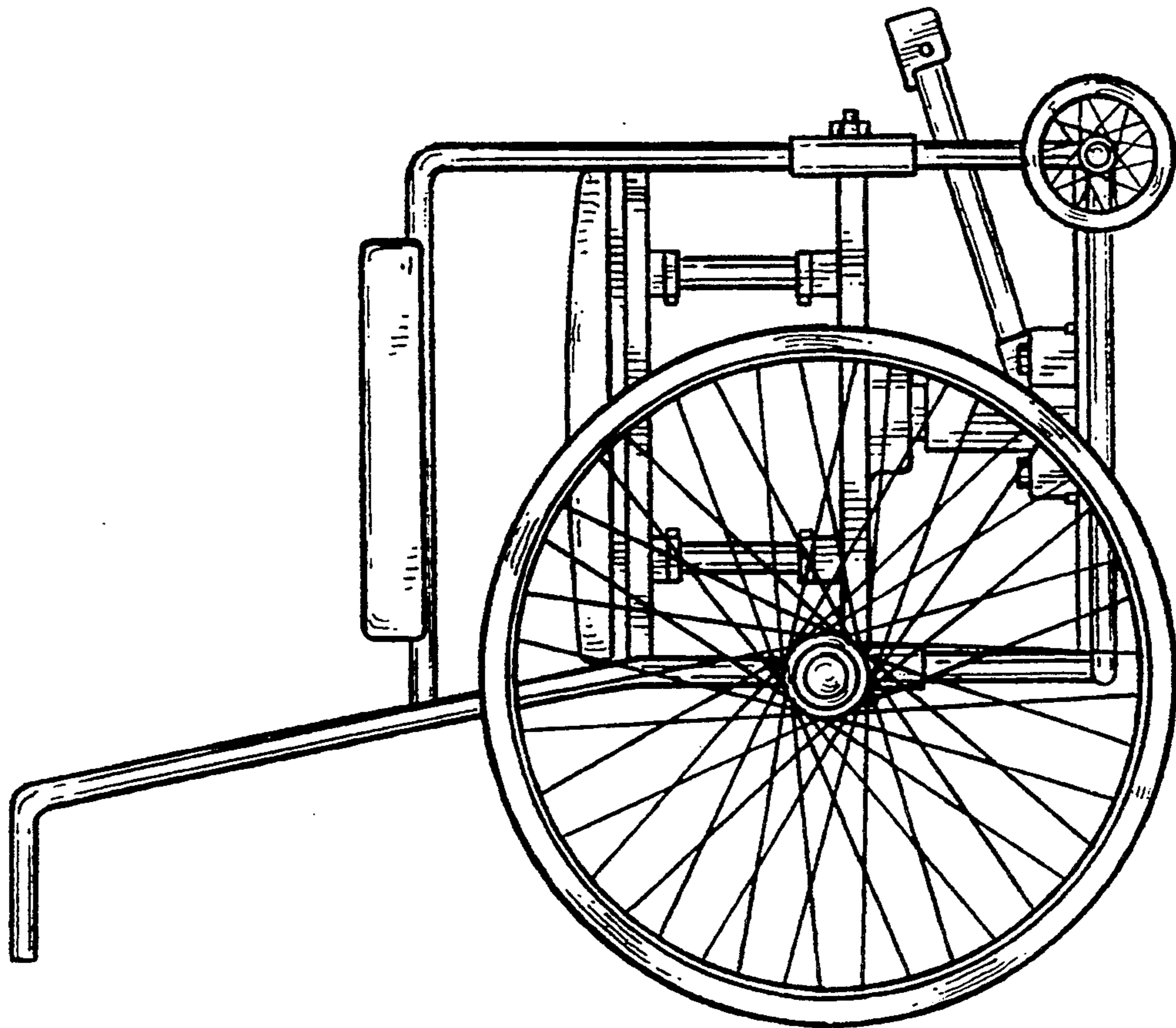


FIG. 5

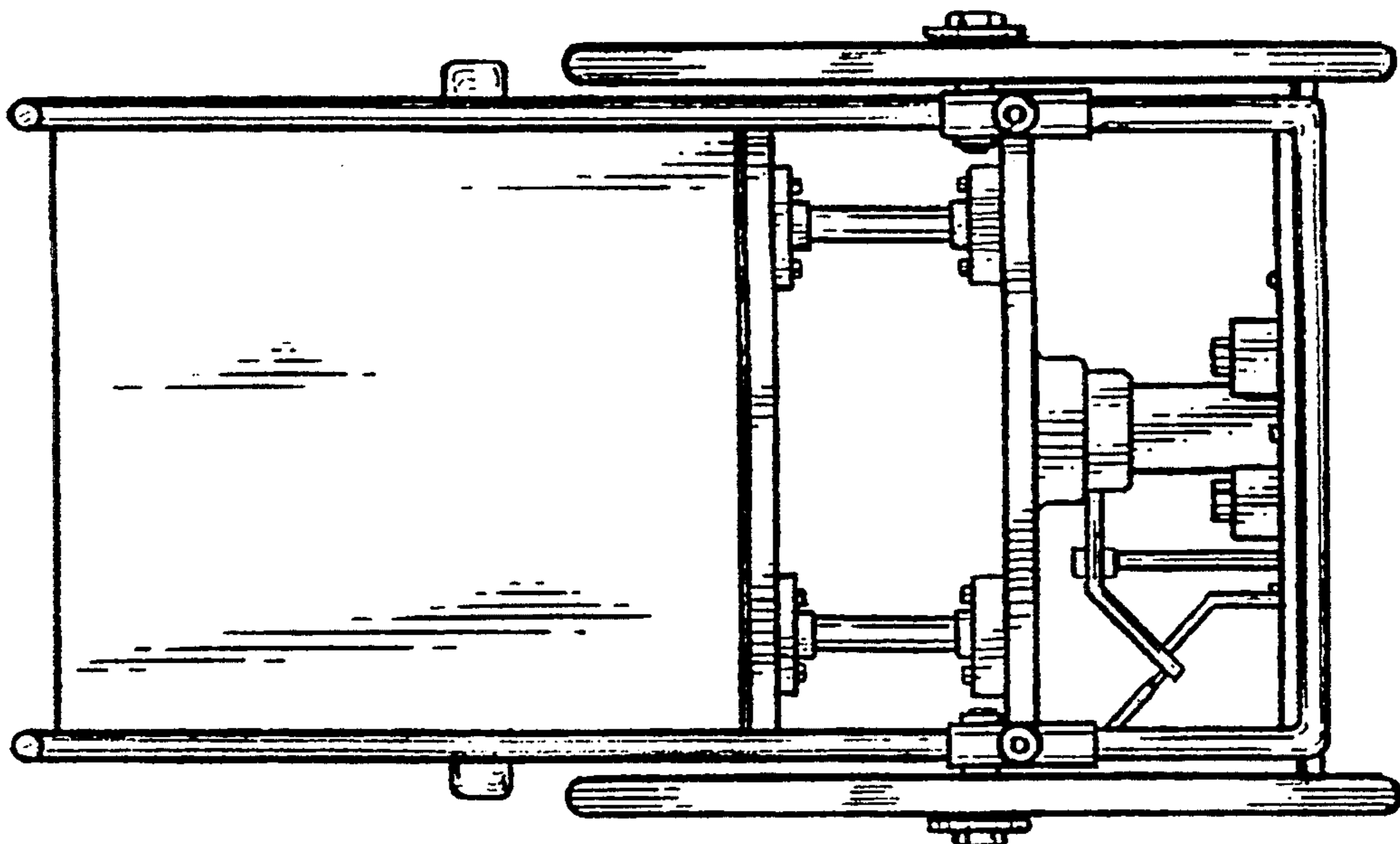


FIG. 3

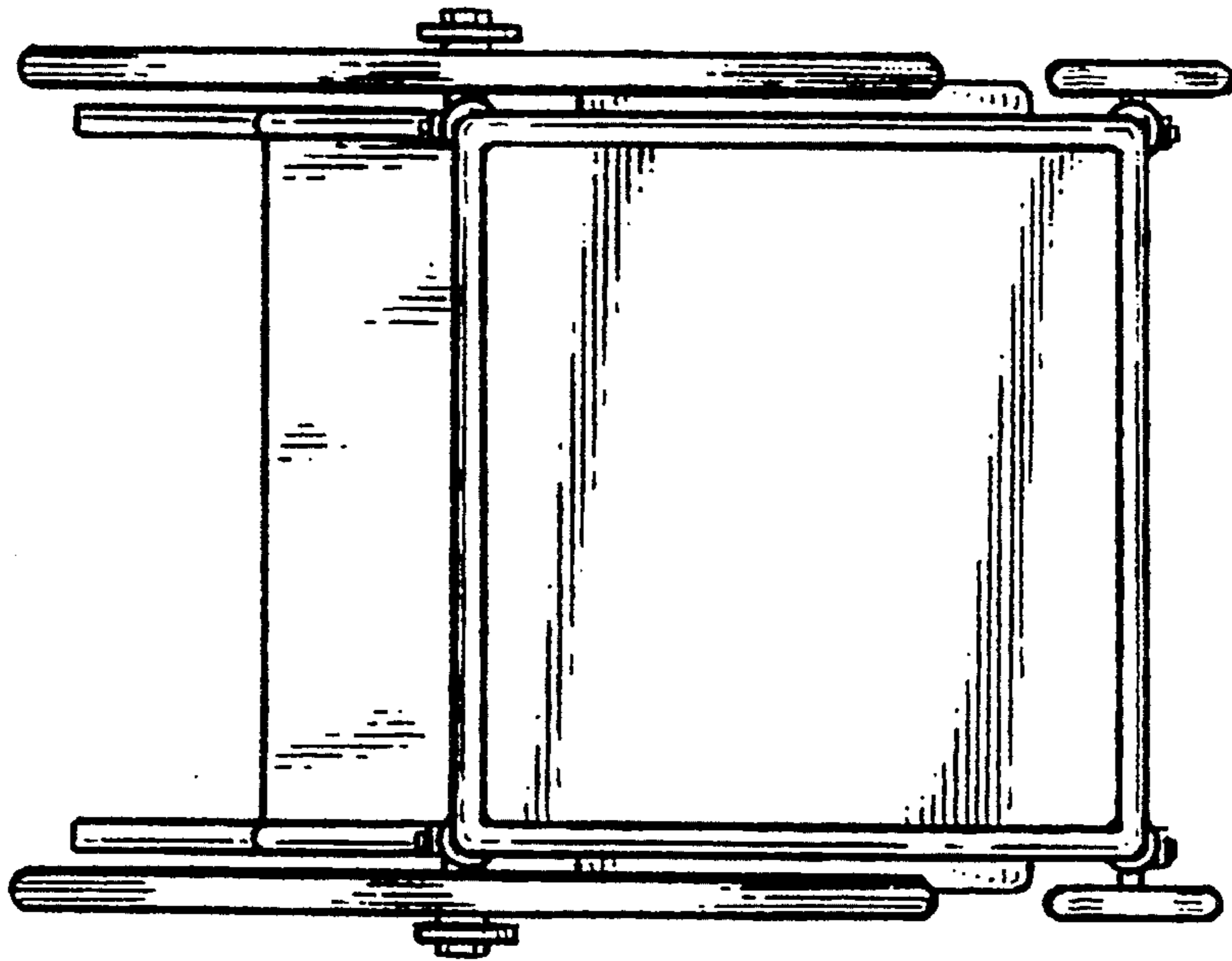


FIG. 7

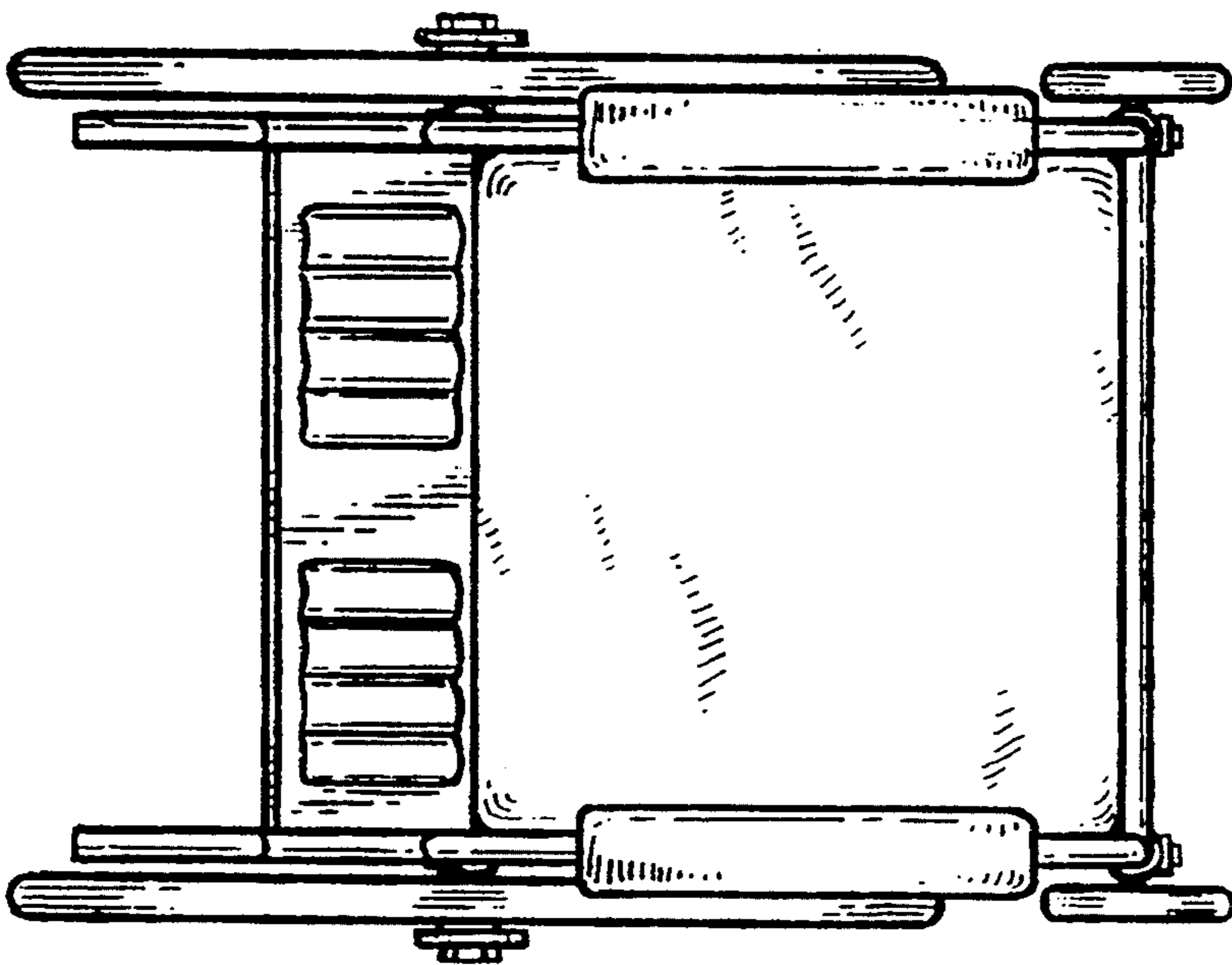


FIG. 6