



US00D352682S

# United States Patent [19]

[11] Patent Number: **Des. 352,682**

**Gerring**

[45] Date of Patent: **\*\* Nov. 22, 1994**

[54] **EXTERIOR SHELL FOR A RECREATIONAL VEHICLE FOLD OUT EXTENSION**

3,511,529 5/1970 Cutsinger ..... 52/69  
4,912,892 4/1990 Jurgensen ..... 52/71

[75] Inventor: **Harold E. Gerring, Bristol, Ind.**

*Primary Examiner*—Wallace R. Burke  
*Assistant Examiner*—M. Brown  
*Attorney, Agent, or Firm*—Barnes & Thornburg

[73] Assignee: **Amerigo, Inc., Bristol, Ind.**

[\*\*] Term: **14 Years**

[57] **CLAIM**

[21] Appl. No.: **15,835**

The ornamental design for a exterior shell for a recreational vehicle fold out extension, as shown and described.

[22] Filed: **Nov. 30, 1993**

**Related U.S. Application Data**

**DESCRIPTION**

[62] Division of Des. Ser. No. 701, Oct. 21, 1992.

FIG. 1 is a side view of an exterior shell for recreational vehicle fold out extension showing my new design;

[52] U.S. Cl. .... **D12/106**

FIG. 2 is a rear view thereof;

[58] Field of Search ..... 52/69, 70, 71; D12/106

FIG. 3 is a side view thereof shown in an extended position;

[56] **References Cited**

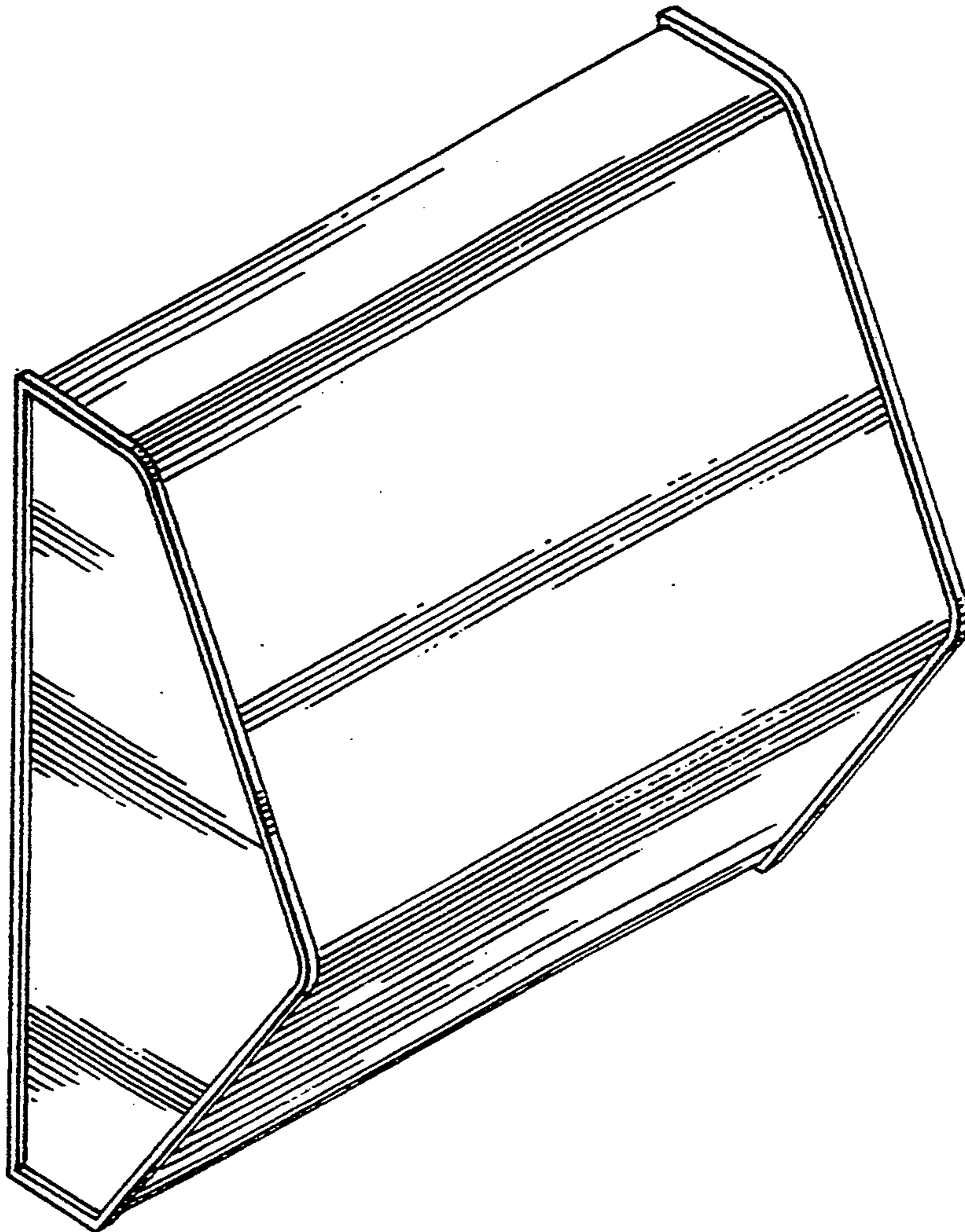
FIG. 4 is a side view thereof shown in an extended position;

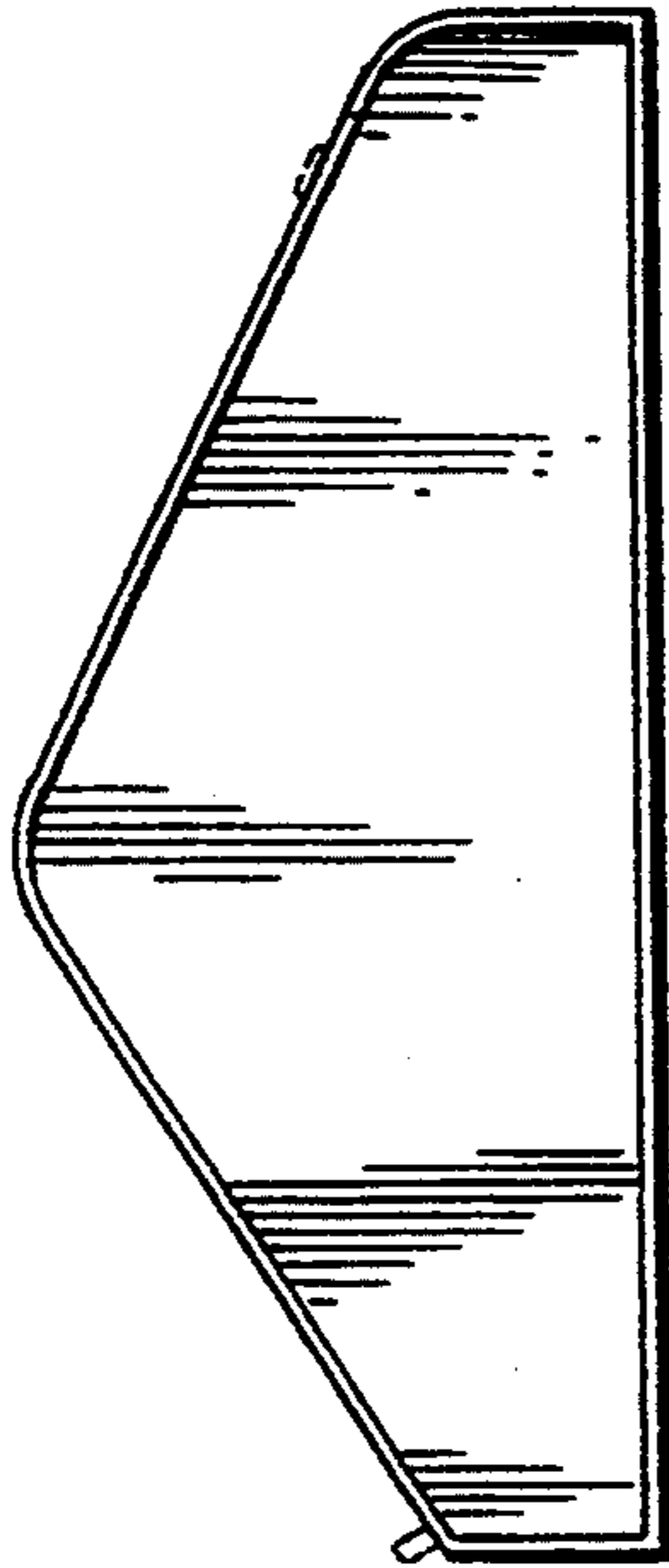
**U.S. PATENT DOCUMENTS**

1,630,553 5/1927 Watson ..... 52/69  
2,323,106 6/1958 Kern ..... 52/69  
3,360,891 1/1968 Gardner ..... 52/70

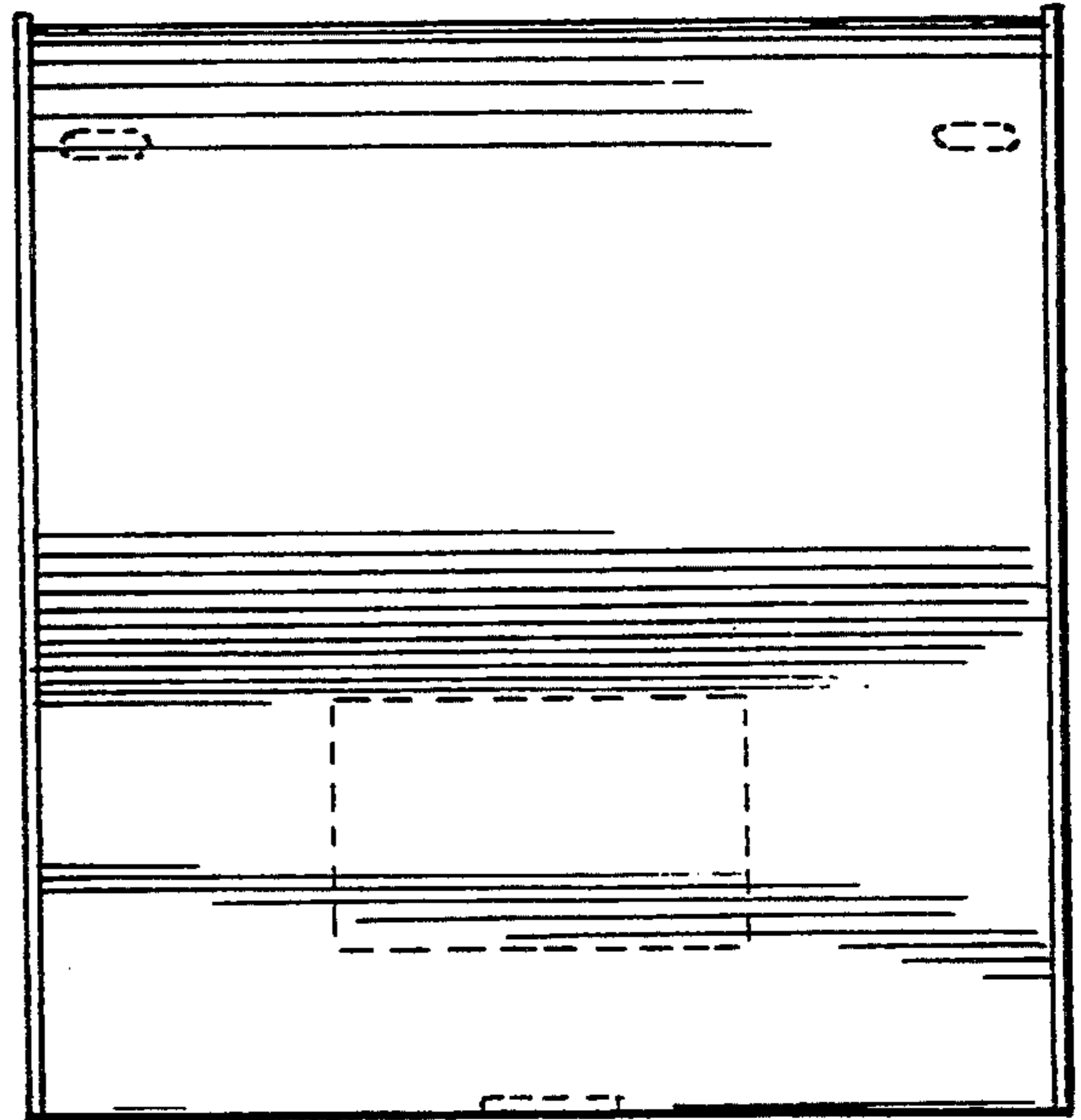
FIG. 5 is a side view thereof, shown in a folded position on a camper; and,

FIG. 6 is an enlarged perspective view thereof.

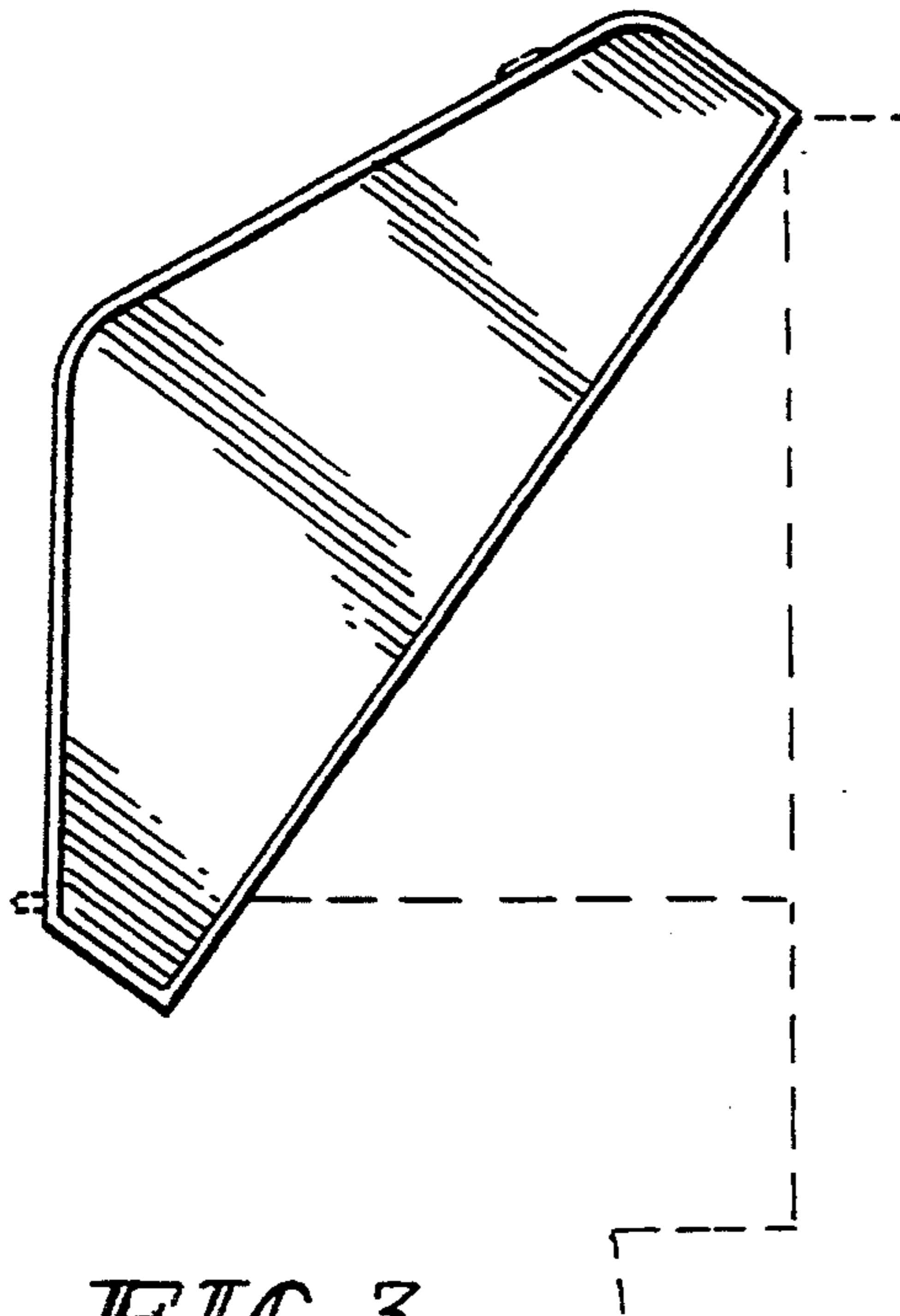




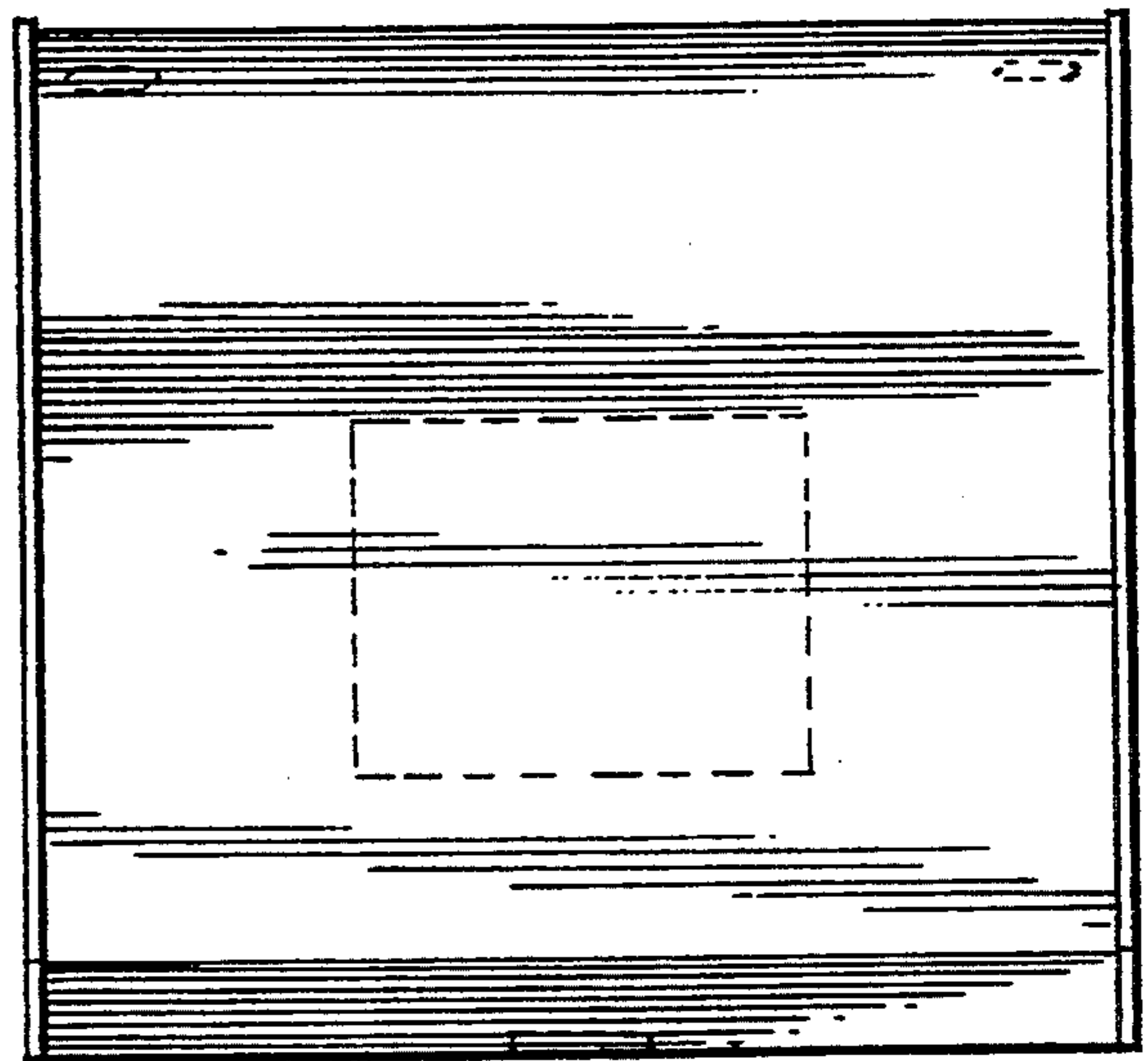
*FIG. 1*



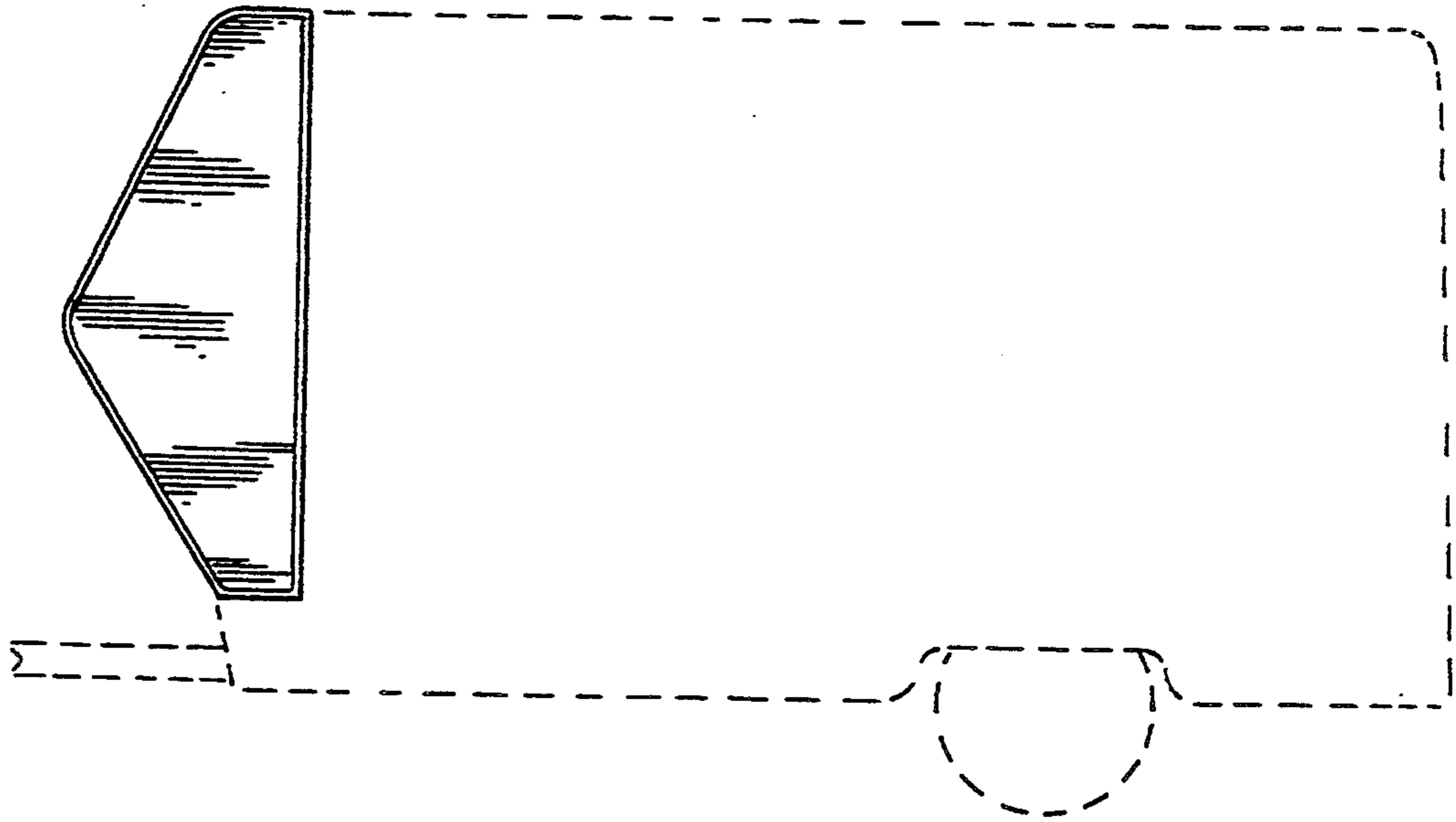
*FIG. 2*



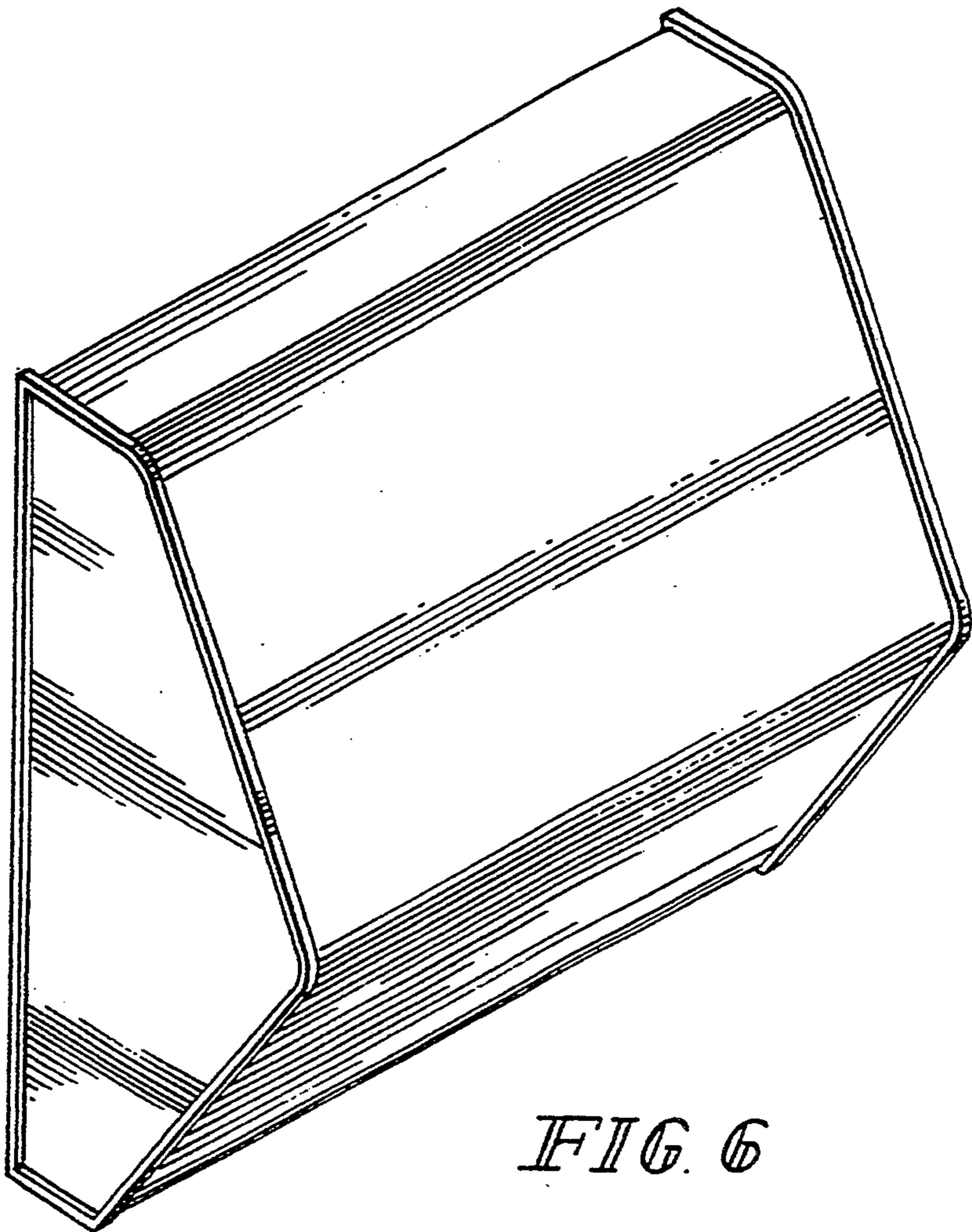
*FIG. 3*



*FIG. 4*



*FIG. 5*



*FIG. 6*