



US00D352680S

United States Patent [19]

[11] Patent Number: Des. 352,680

Matoba

[45] Date of Patent: ** Nov. 22, 1994

[54] BUCKLE

[75] Inventor: Hiroshi Matoba, Toyama, Japan

[73] Assignee: Yoshida Kogyo K.K., Tokyo, Japan

[**] Term: 14 Years

[21] Appl. No.: 14,343

[22] Filed: Oct. 19, 1993

[30] Foreign Application Priority Data

Apr. 19, 1993 [JP] Japan 5-11448

[52] U.S. Cl. D11/216; D11/200

[58] Field of Search 24/633, 631, 641, 616, 24/170, 305, 69 CT, 69 R, 60 ST, 69 SB, 200; D11/200, 201, 208, 215-218, 231-232, 241; D20/27

[56] References Cited

U.S. PATENT DOCUMENTS

D. 289,622	5/1987	Crowle et al.	D11/216
D. 296,310	6/1988	Crowle et al.	D11/216
D. 303,233	9/1989	Jang	D11/216
D. 312,430	11/1990	Crowle	D11/216
D. 312,986	12/1990	Bianchi	D11/216
D. 329,210	9/1992	Cullmann	D11/216
D. 341,105	11/1993	Lovato	D11/216
4,800,629	1/1989	Ikeda	24/170
4,802,262	2/1989	Kasai	24/633
4,866,819	9/1989	Kasai	24/633

Primary Examiner—Ralf T. Seifert
Attorney, Agent, or Firm—Hill, Steadman & Simpson

[57] CLAIM

The ornamental design for a buckle, as shown and described.

DESCRIPTION

FIG. 1 is a front view of a buckle;

FIG. 2 is a rear view of the buckle of FIG. 1;
 FIG. 3 is a plan view of the buckle of FIG. 1;
 FIG. 4 is a base view of the buckle of FIG. 1;
 FIG. 5 is a side view of the buckle of FIG. 1;
 FIG. 6 is a cross-sectional view taken along the line VI—VI of FIG. 1;
 FIG. 7 is a front view of a male member of the buckle of FIG. 1;
 FIG. 8 is a rear view of the male member of FIG. 7;
 FIG. 9 is a plan view of the male member of FIG. 7;
 FIG. 10 is a rear view of the male member of FIG. 7;
 FIG. 11 is a cross-sectional view taken along the line XI—XI of FIG. 7;
 FIG. 12 is a right side view of the male member of FIG. 7;
 FIG. 13 is a cross-sectional view taken along the line XIII—XIII of FIG. 7;
 FIG. 14 is a front view of a female member of the buckle of FIG. 1;
 FIG. 15 is a rear view of the female member of FIG. 14;
 FIG. 16 is a plan view of the female member of FIG. 14;
 FIG. 17 is a base view of the female member of FIG. 14;
 FIG. 18 is a right side view of the female member of FIG. 14;
 FIG. 19 is a cross-sectional view taken along the line XIX—XIX of FIG. 14;
 FIG. 20 is a cross-sectional view taken along the line XX—XX of FIG. 18;
 FIG. 21 is a cross-sectional view taken along the line VI—VI of FIG. 1 attached to a belt, the broken line showing of a belt strap is for illustrative purposes only and forms no part of the claimed design;
 FIG. 22 is a front view of the buckle of FIG. 1 showing the male member has been angularly moved on the female member;
 FIG. 23 is a perspective view showing the buckle of FIG. 1 in coupled disposition; and,
 FIG. 24 is a perspective view showing the buckle of FIG. 1 in uncoupled disposition.

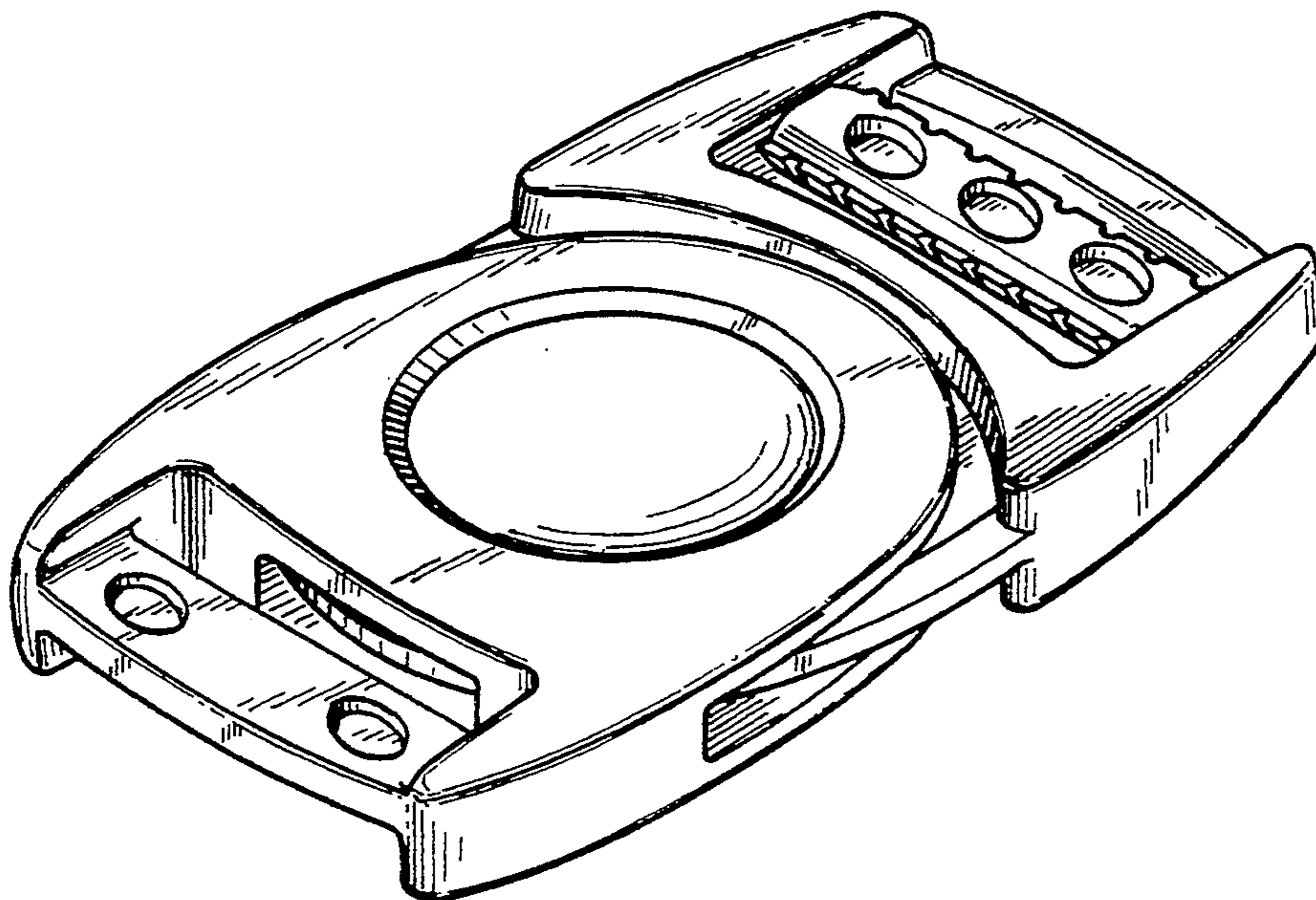


FIG. 1

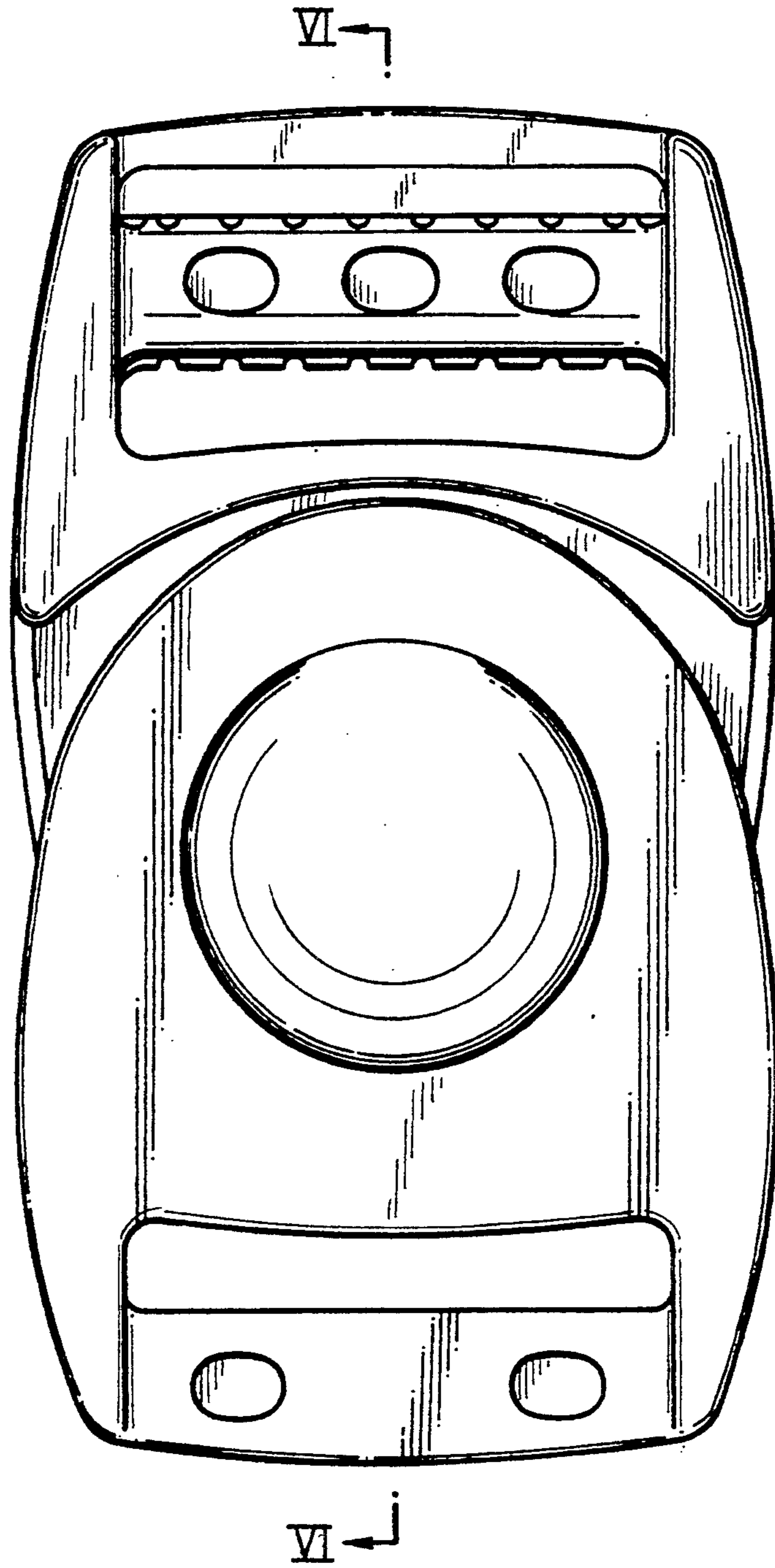


FIG. 2

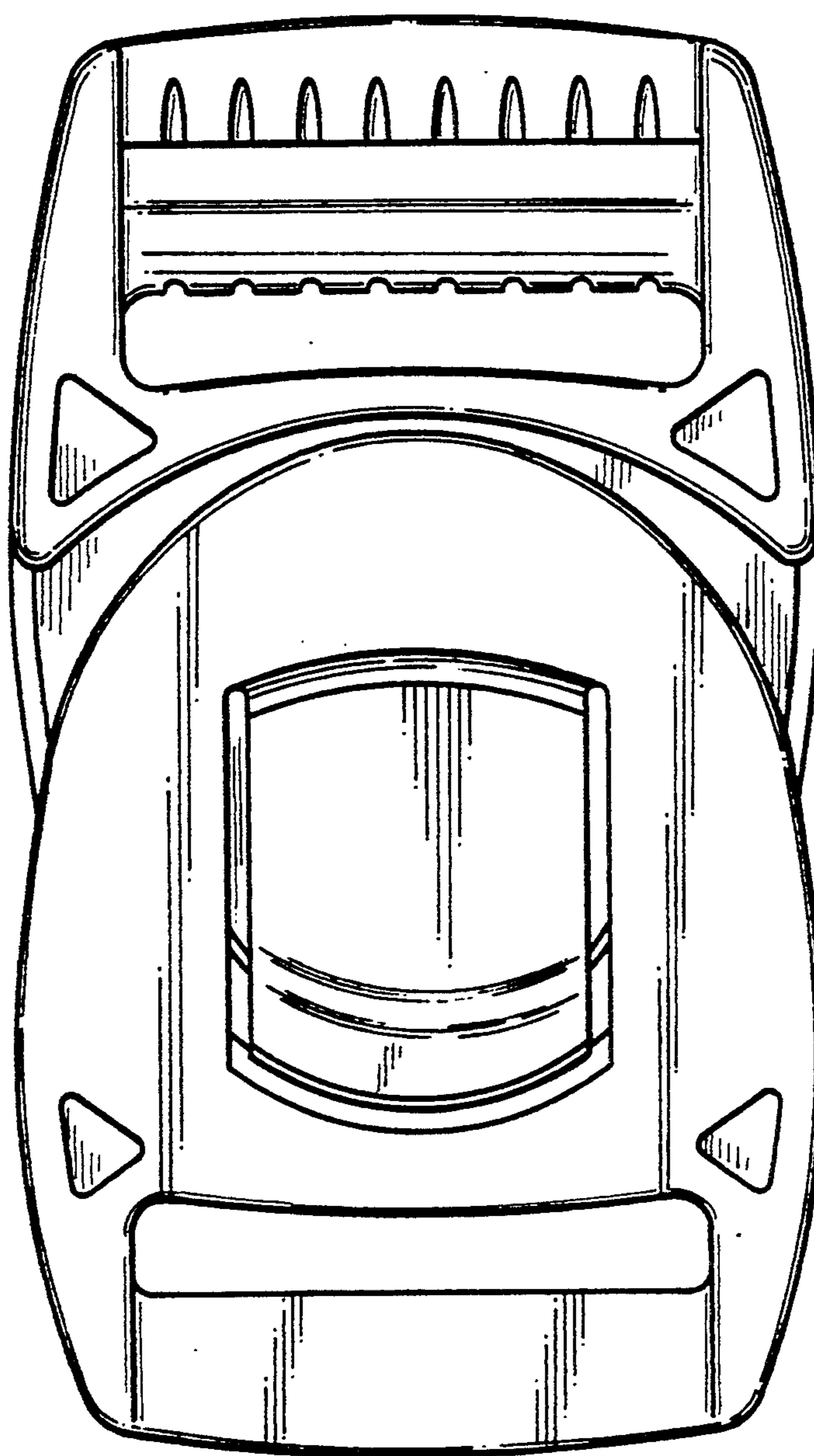


FIG. 3

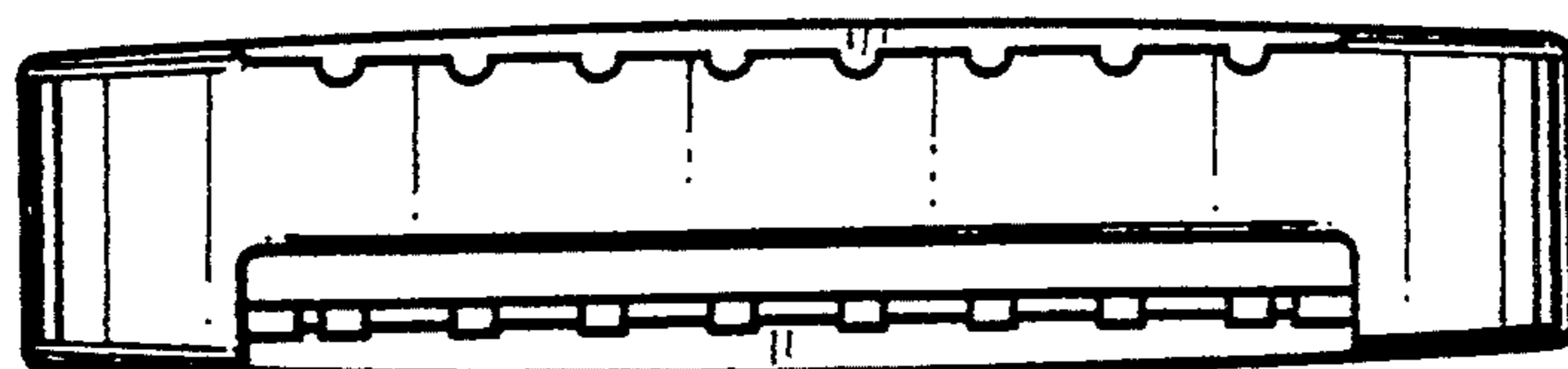


FIG. 4

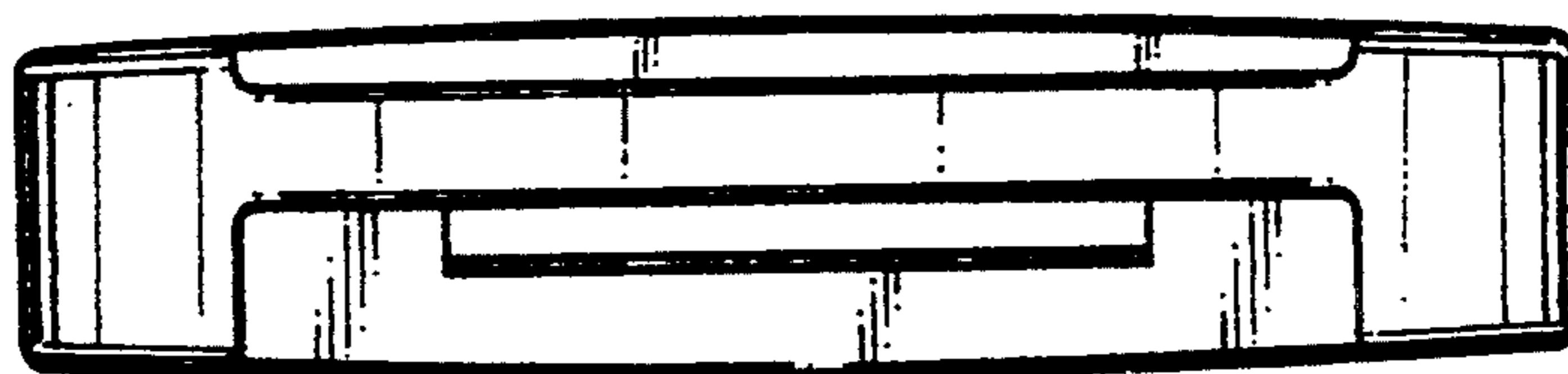


FIG. 5



FIG. 6

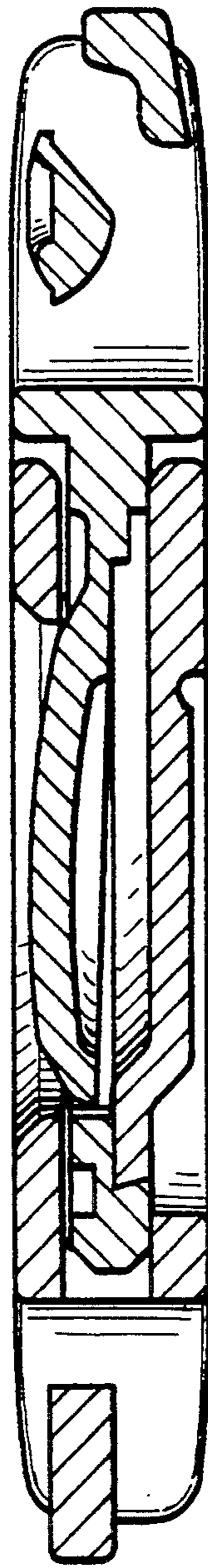


FIG. 7

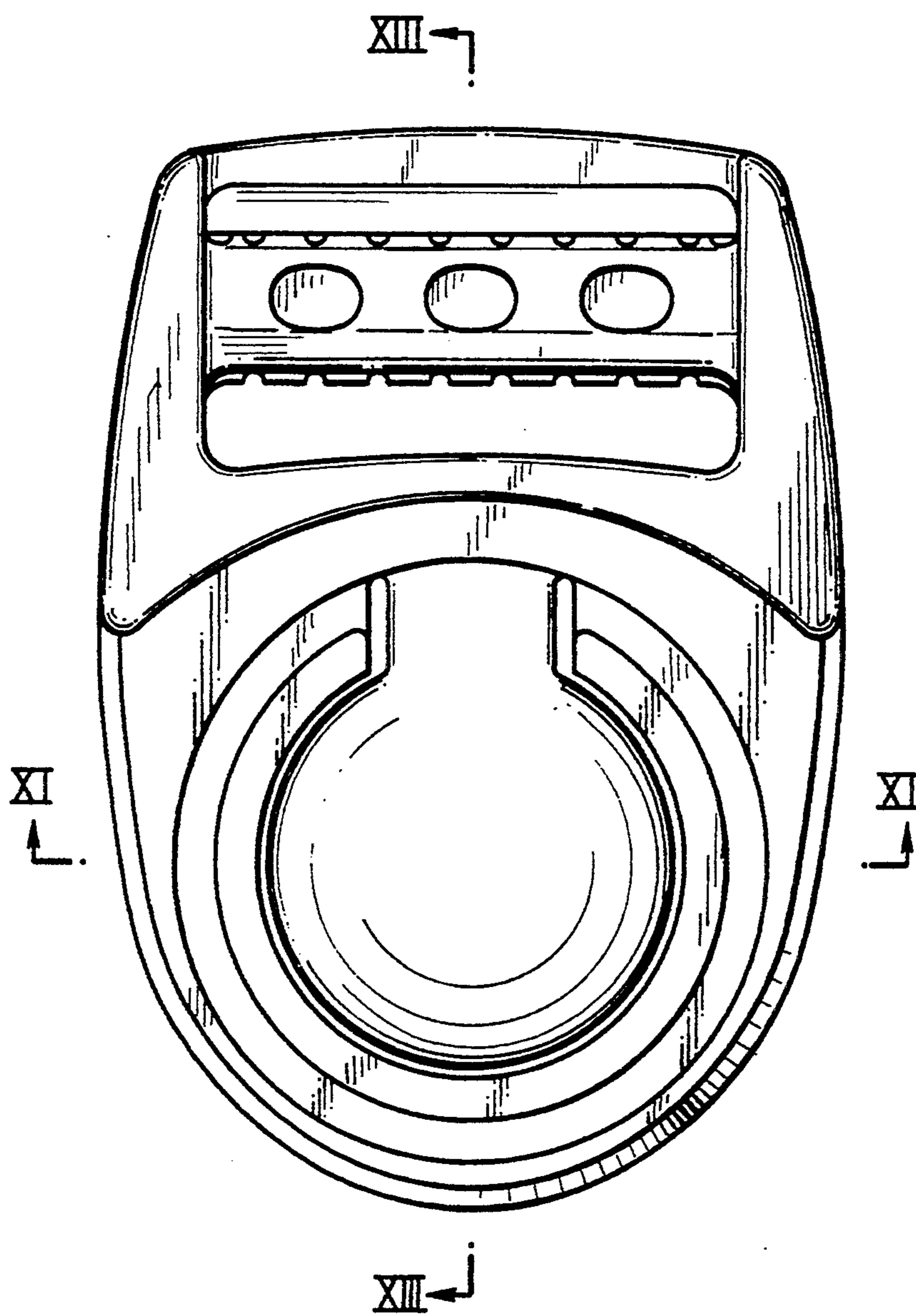


FIG. 8

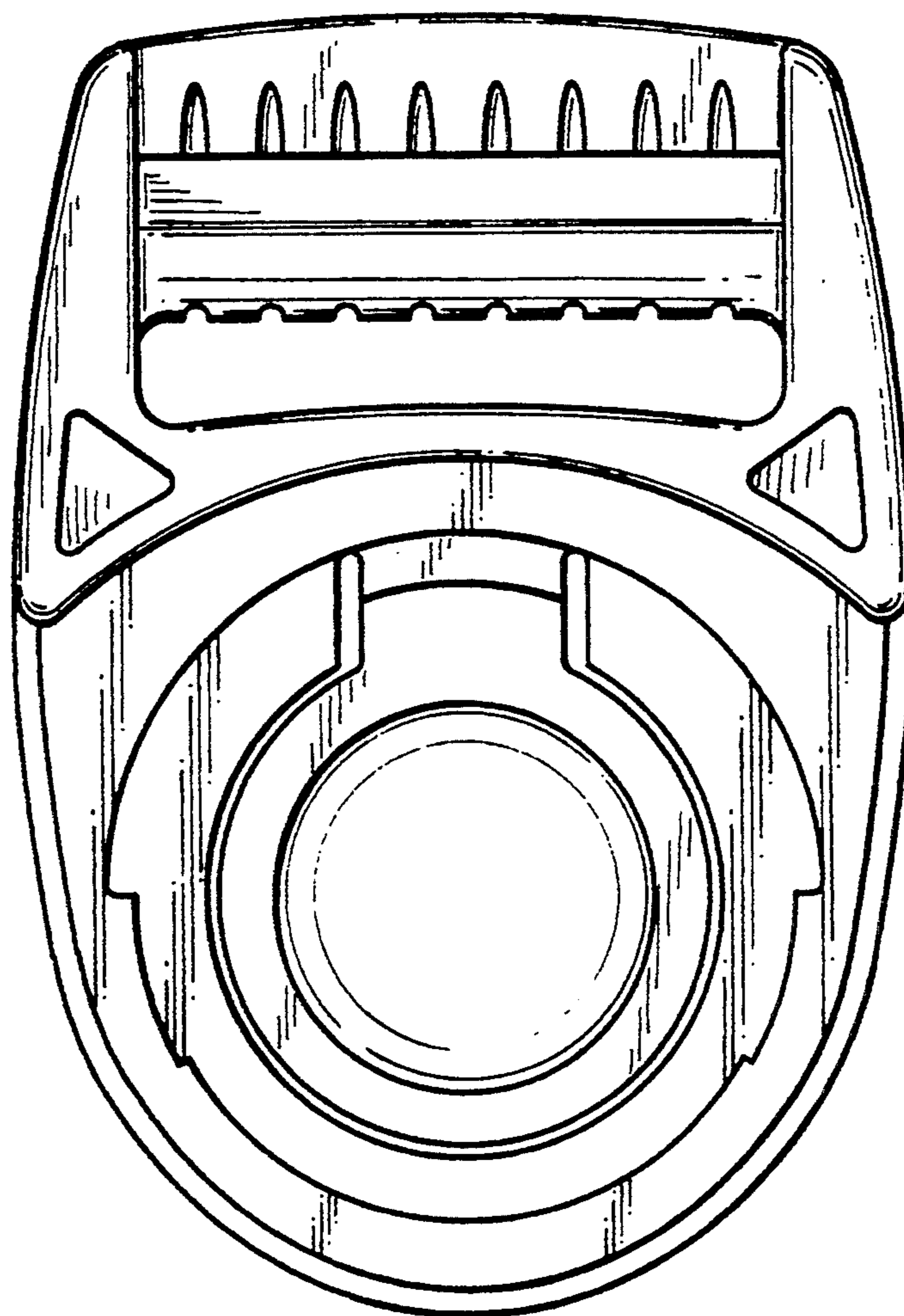


FIG. 9

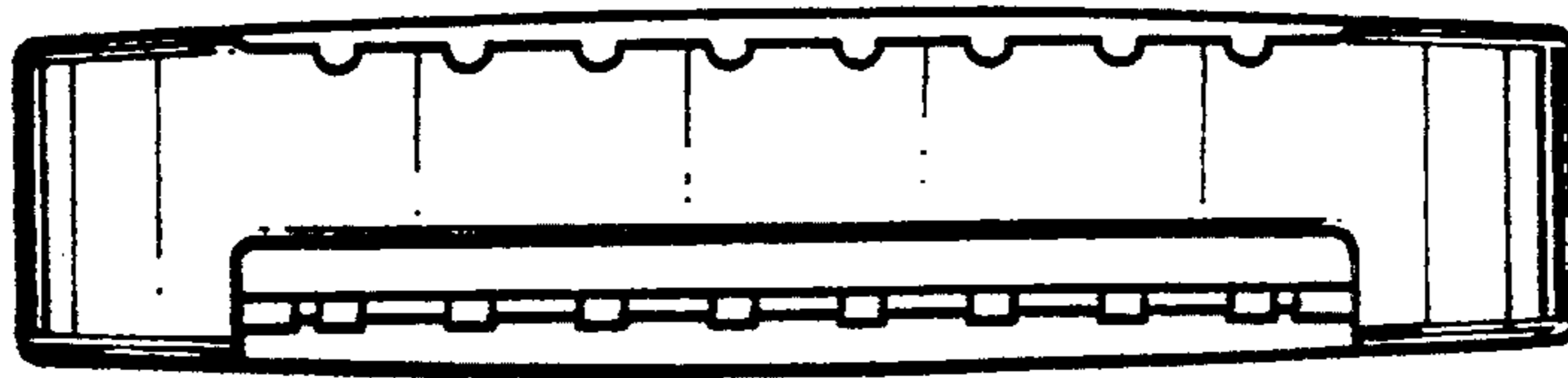


FIG. 10

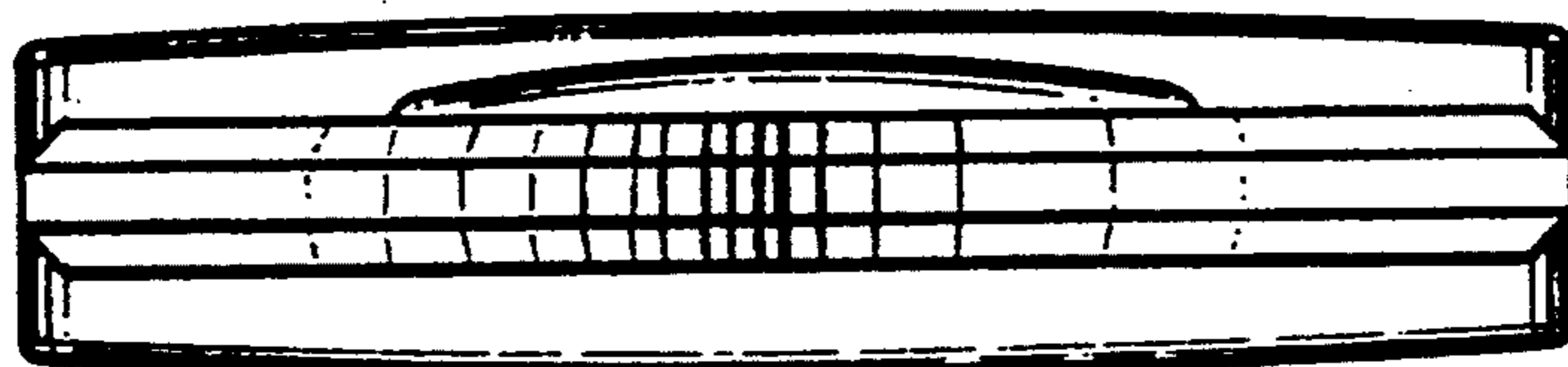


FIG. 11

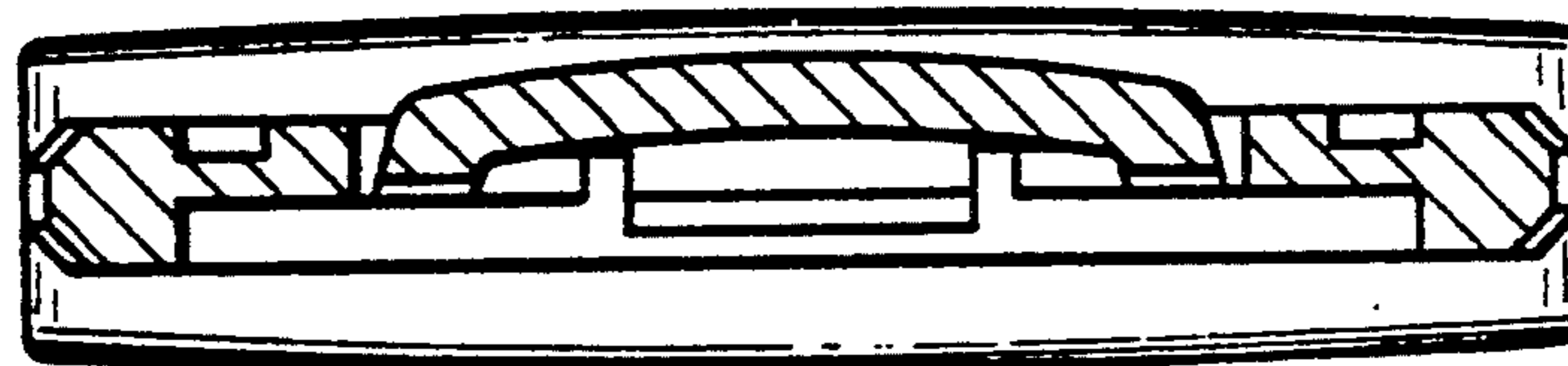


FIG. 12

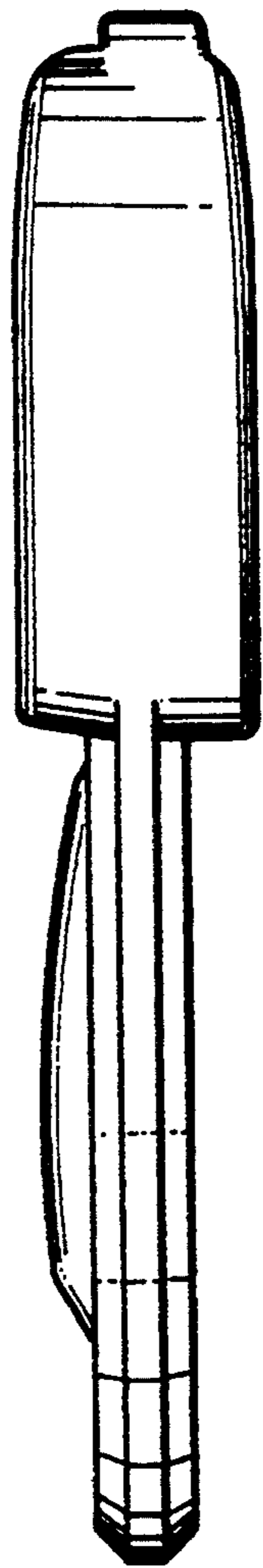


FIG. 13

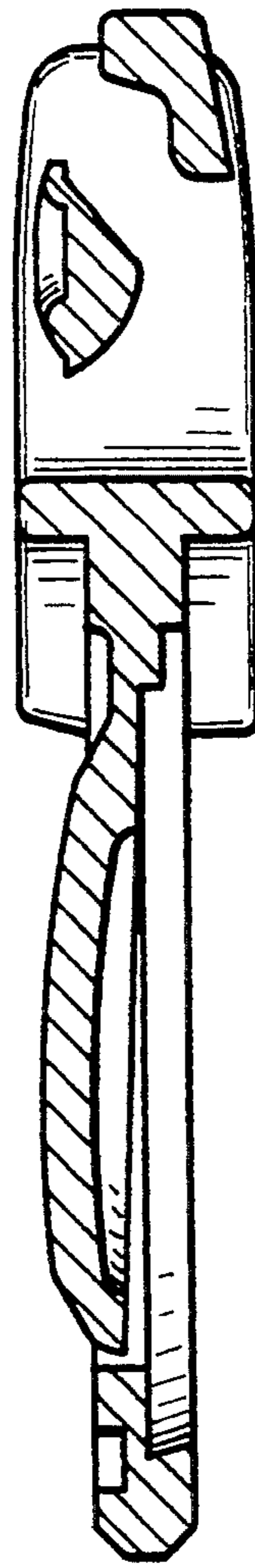


FIG. 14

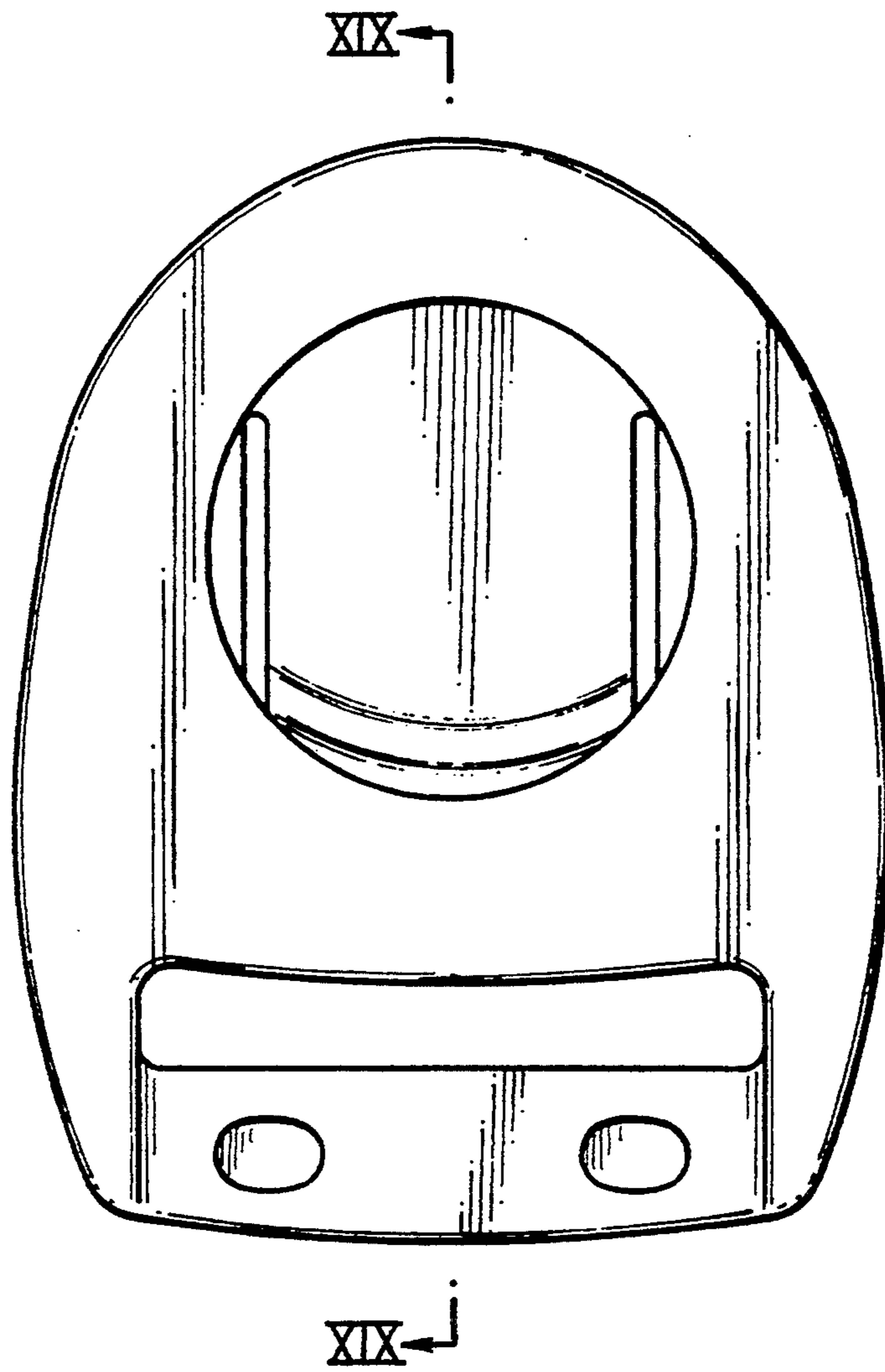


FIG. 15

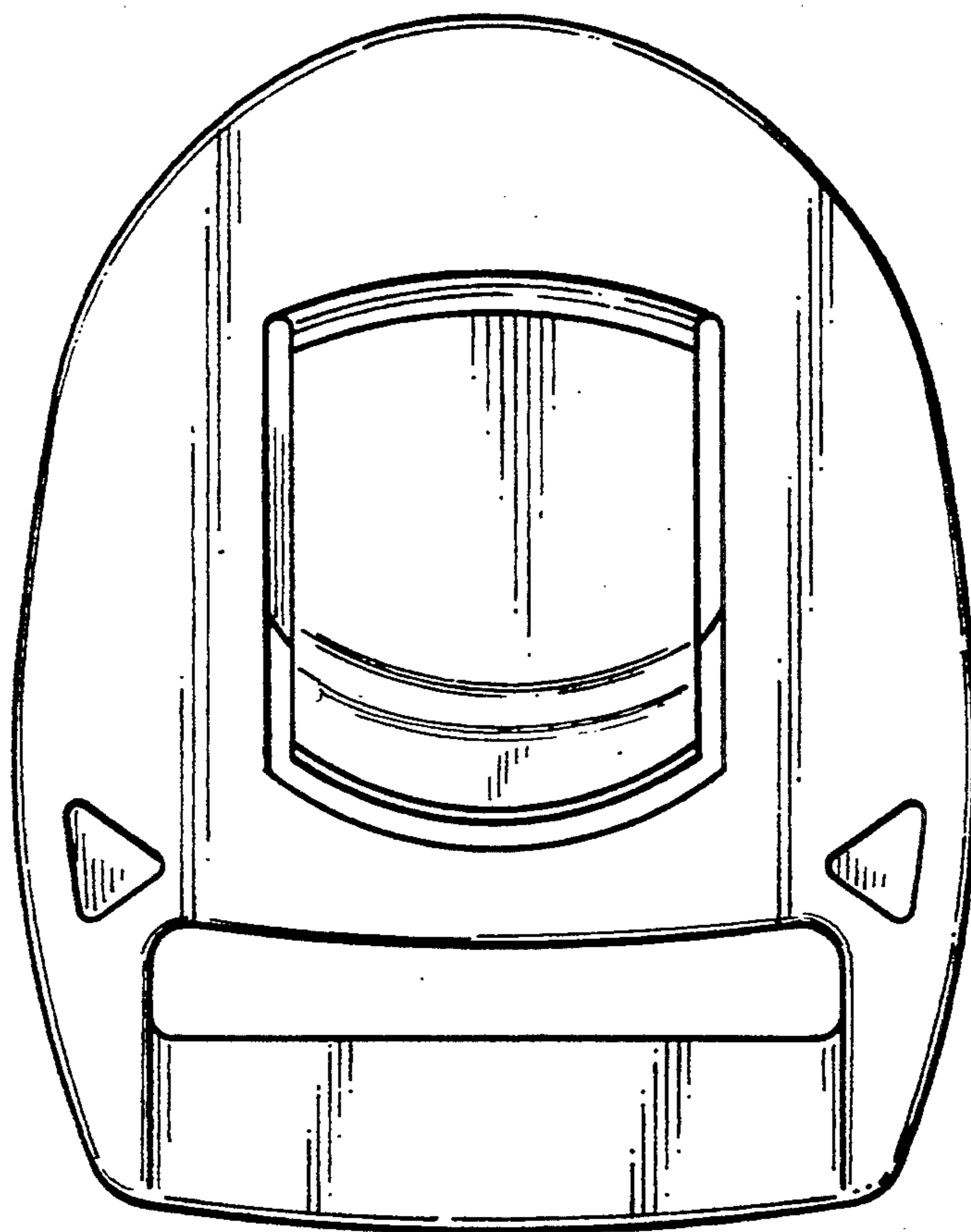


FIG. 16



FIG. 17

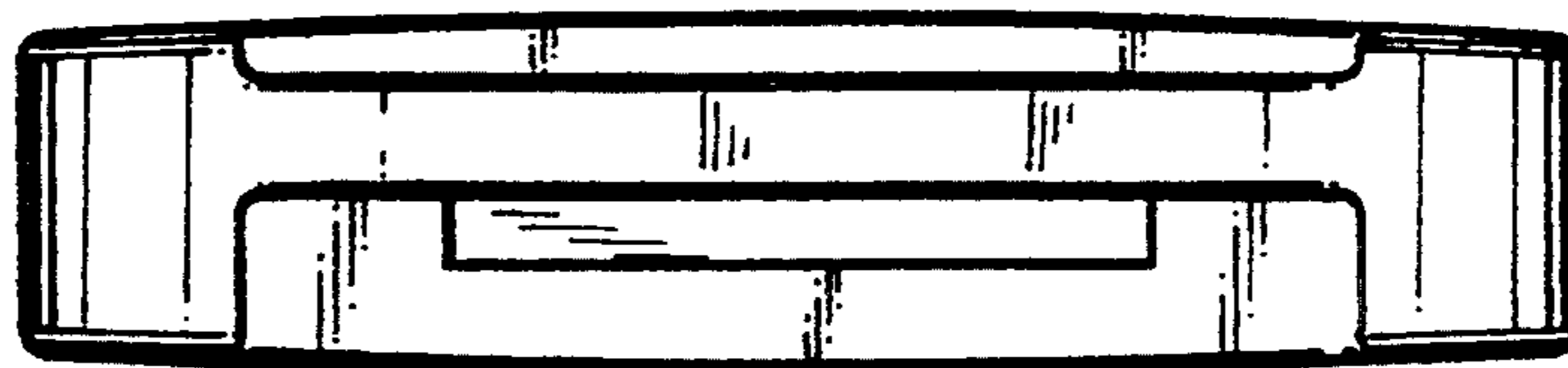
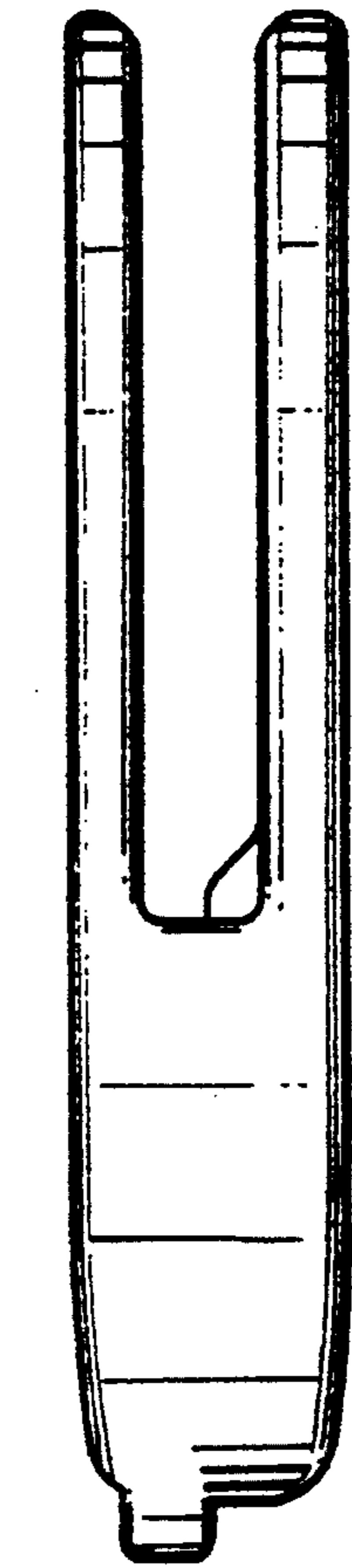


FIG. 18

FIG. 19

XX ↗



XX ↖

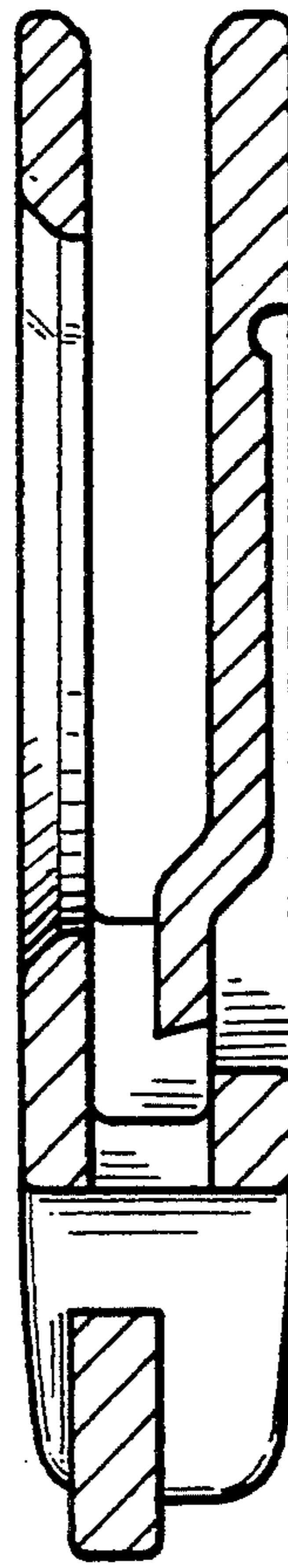


FIG. 20

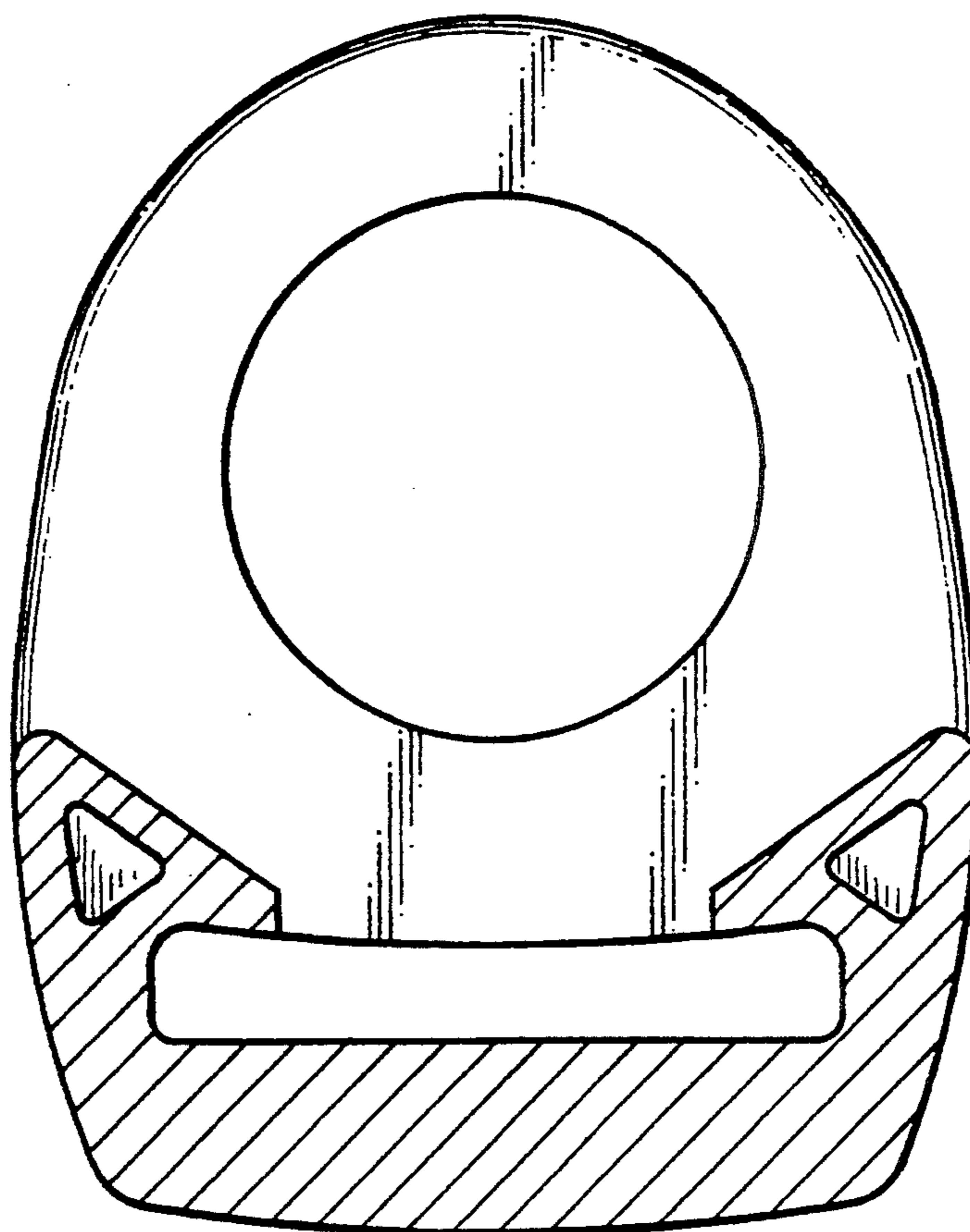


FIG. 21

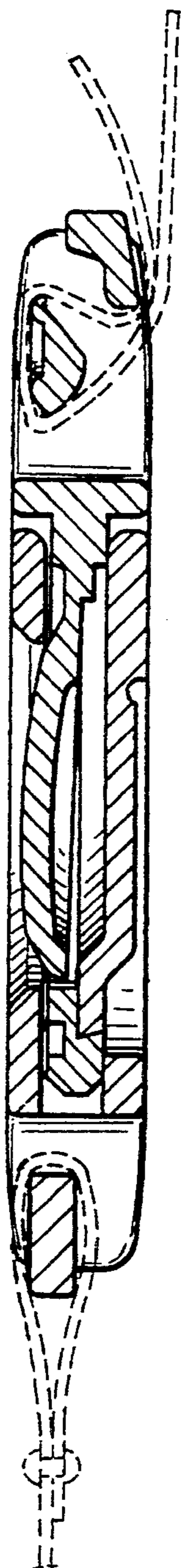


FIG. 22

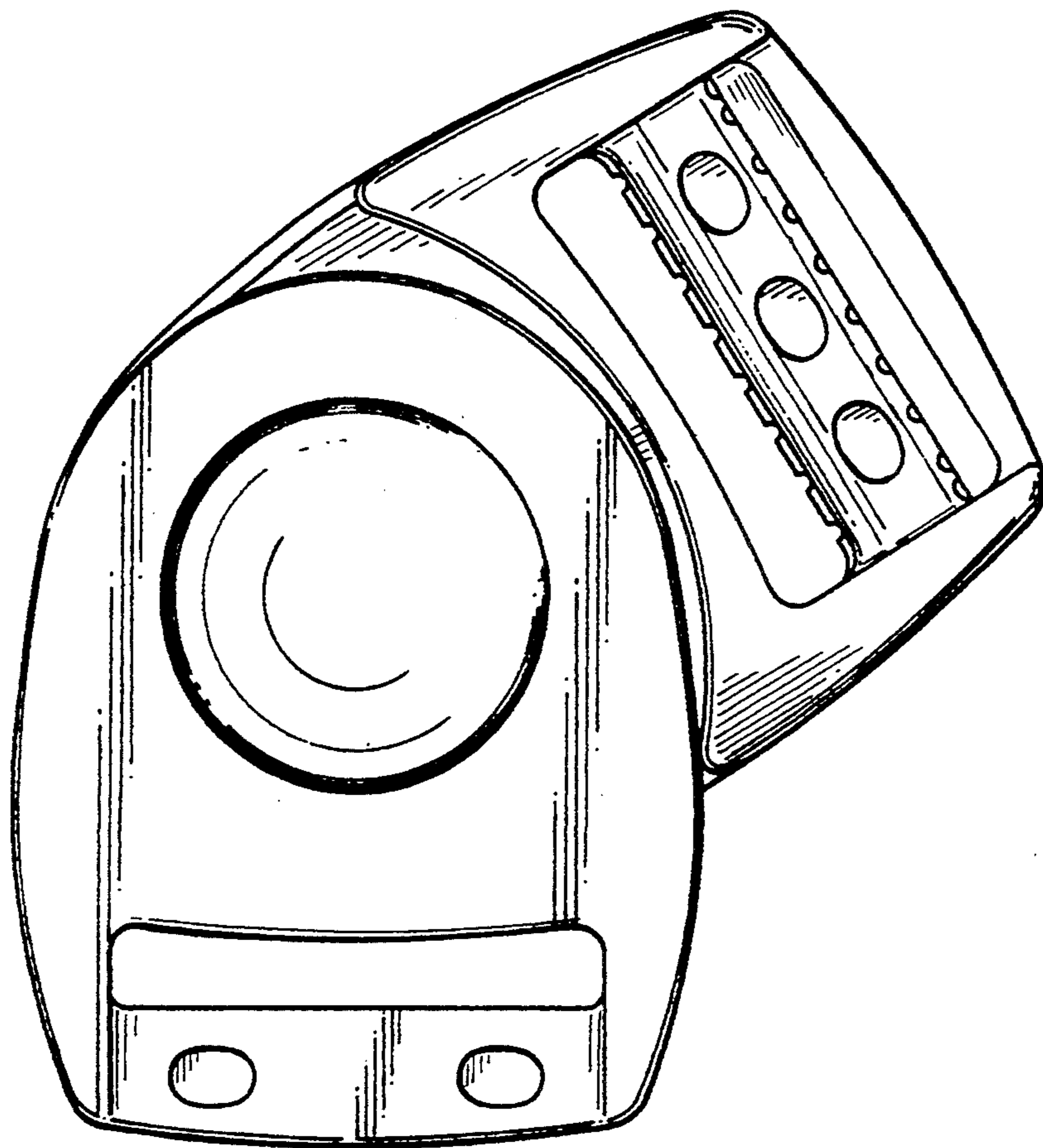
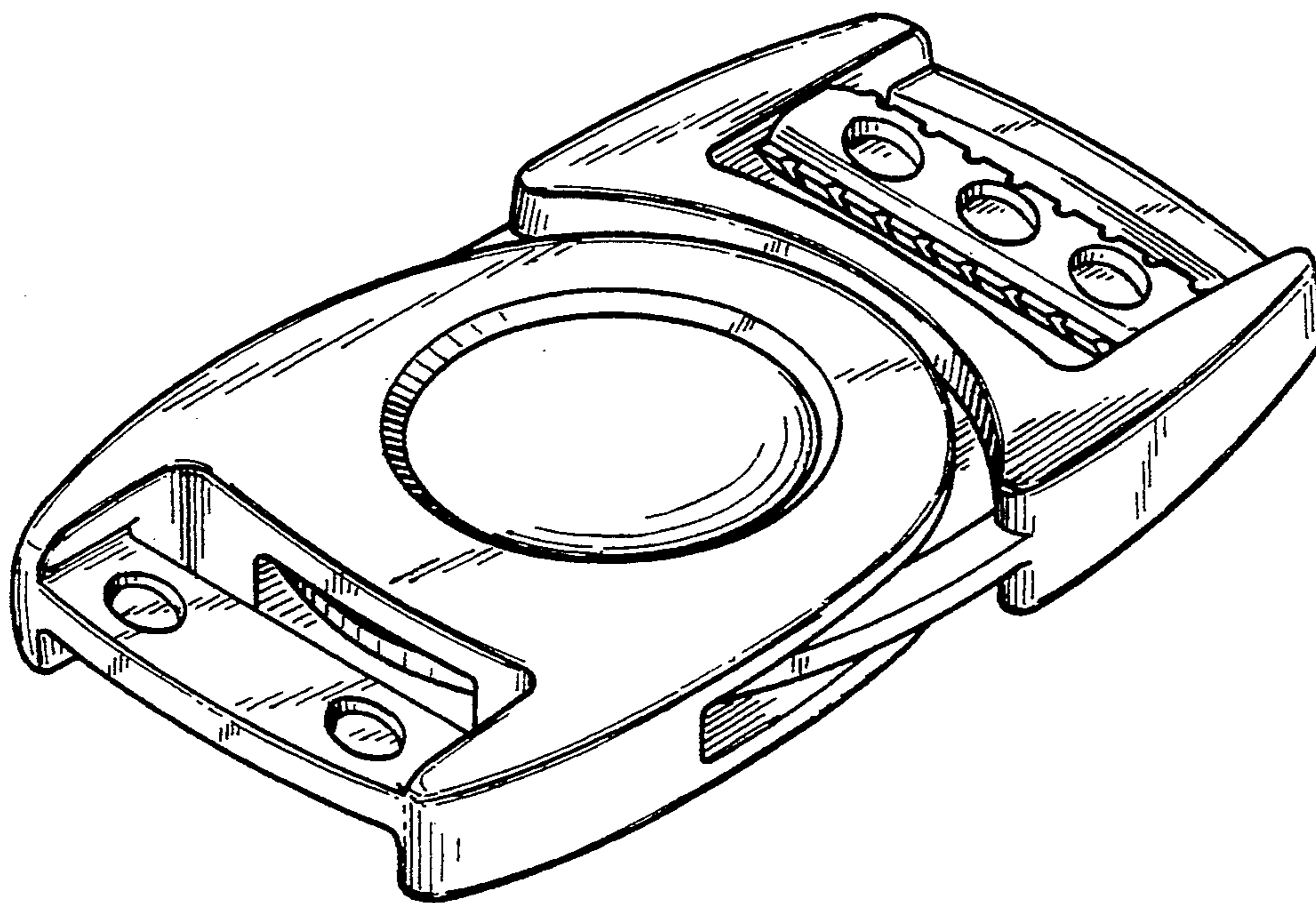


FIG. 23



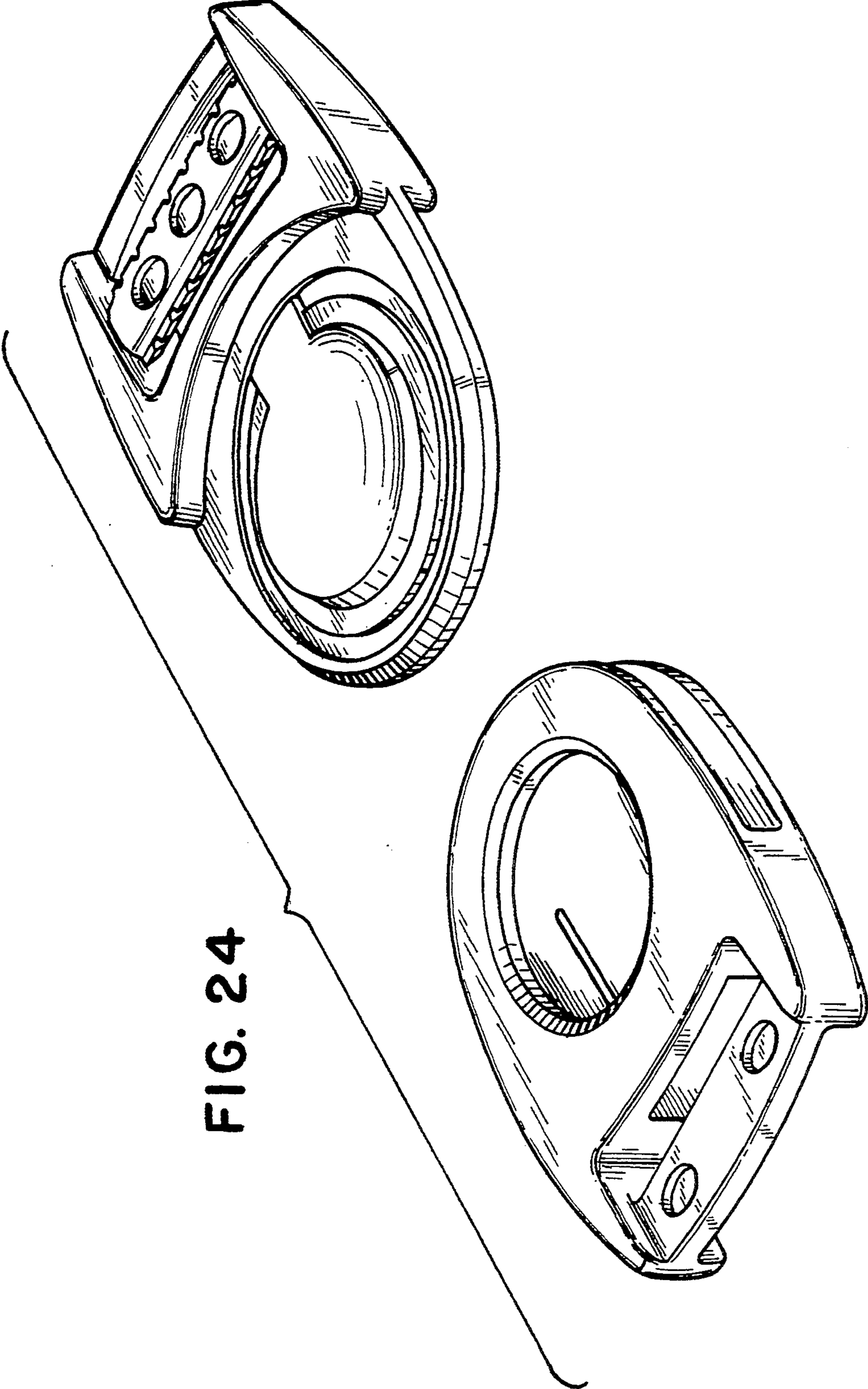


FIG. 24