



US00D352679S

# United States Patent [19]

[11] Patent Number: **Des. 352,679**

Butler et al.

[45] Date of Patent: **\*\* Nov. 22, 1994**

[54] HAT PIN

[76] Inventors: **Harold D. Butler**, 1304 Etheridge La.; **Bret T. Haynes**, 5809 Old Martin Hwy., both of Union City, Tenn. 38261

[\*\*] Term: **14 Years**

[21] Appl. No.: **949,007**

[22] Filed: **Sep. 21, 1992**

[52] U.S. Cl. .... **D11/207**

[58] Field of Search ..... **D9/440, 439, 435; 63/1.1; D11/1-2, 40-47, 209; D22/125; D10/116**

498,008	5/1893	Gerwig .....	63/1.1
2,730,836	1/1956	Faulk et al. ....	446/207
3,001,322	9/1961	Sanders .....	446/207
4,551,112	11/1985	Johnson .....	446/207
4,888,903	12/1989	Knight et al. ....	446/207

*Primary Examiner*—Ralf T. Seifert  
*Attorney, Agent, or Firm*—Heiskell, Donelson, Bearman, Adams, Williams & Caldwell

### [57] CLAIM

The ornamental design for a hat pin, as shown and described.

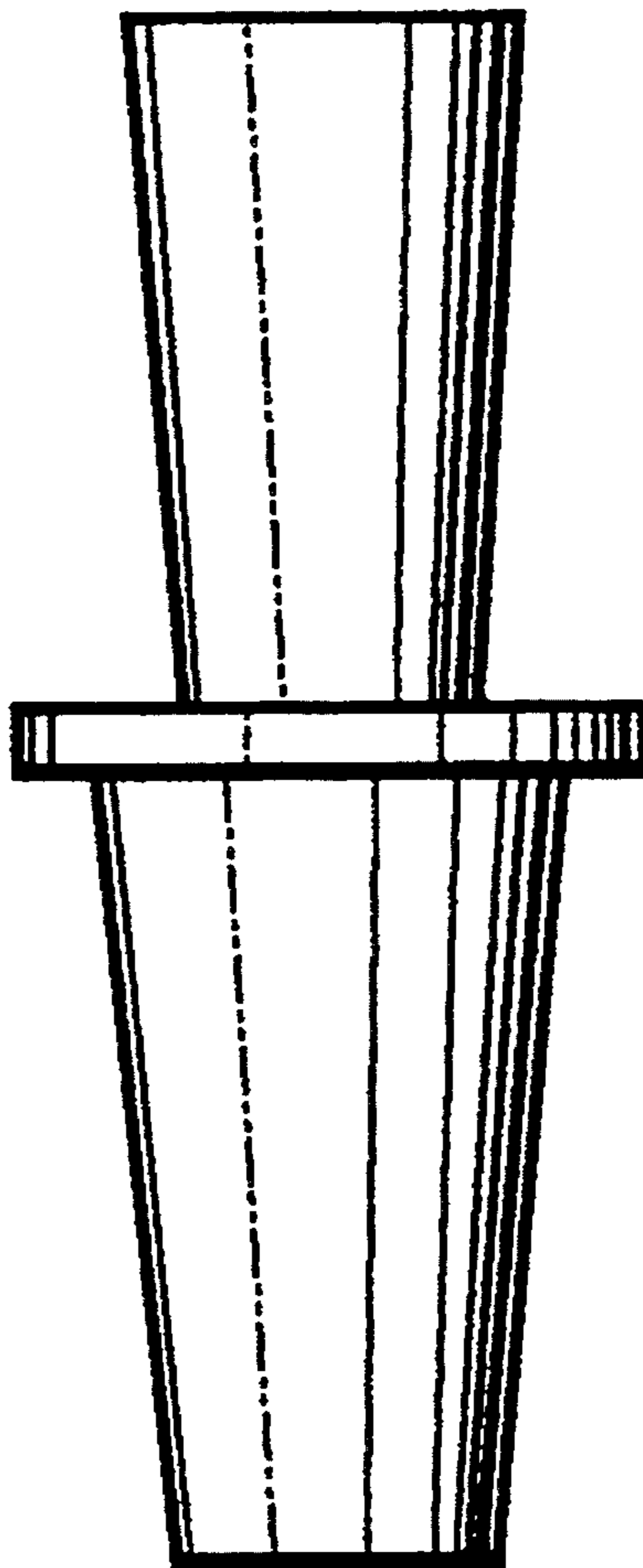
### DESCRIPTION

FIG. 1 is a perspective view of a hat pin displaying my new design, as attached to a representative hat; FIG. 2 is a side elevational view of a hat pin made in accordance with my new design, the front, rear, and opposite side views being substantially the same; FIG. 3 is a top plan view of thereof; and, FIG. 4 is a bottom plan view of thereof. The broken line drawing of a hat and straight pin shown in FIG. 1 is for illustrative purposes only and forms no part of the claimed design.

### [56] References Cited

#### U.S. PATENT DOCUMENTS

31,128	7/1899	Alvey .....	D9/440
D. 38,654	7/1907	Levy .....	D11/207
D. 90,061	6/1933	Brennan .....	D9/439
D. 112,937	1/1939	Cooper .....	D11/2
D. 153,300	4/1949	McDonald .....	D9/439
D. 178,961	10/1956	James .....	D9/439



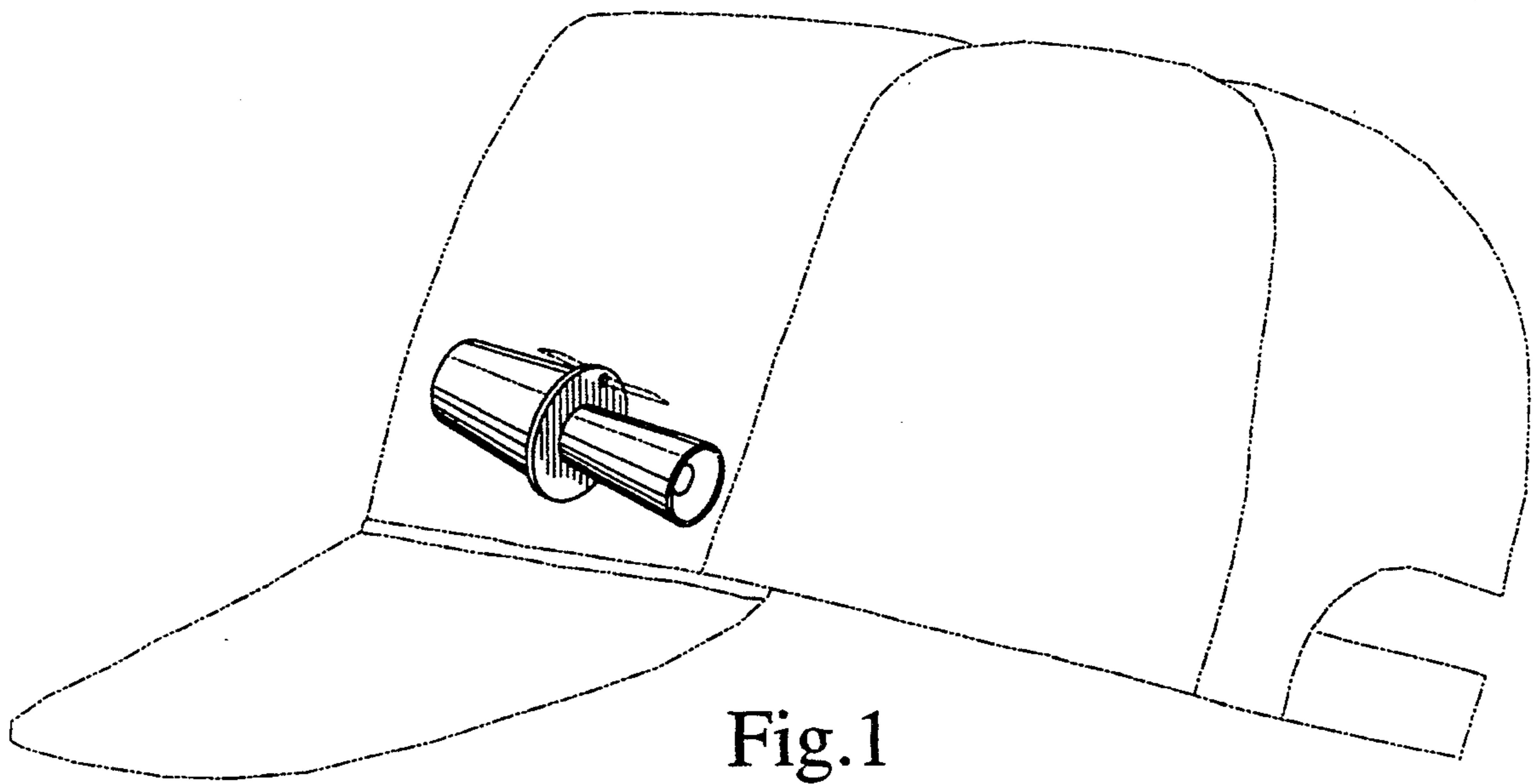


Fig. 1

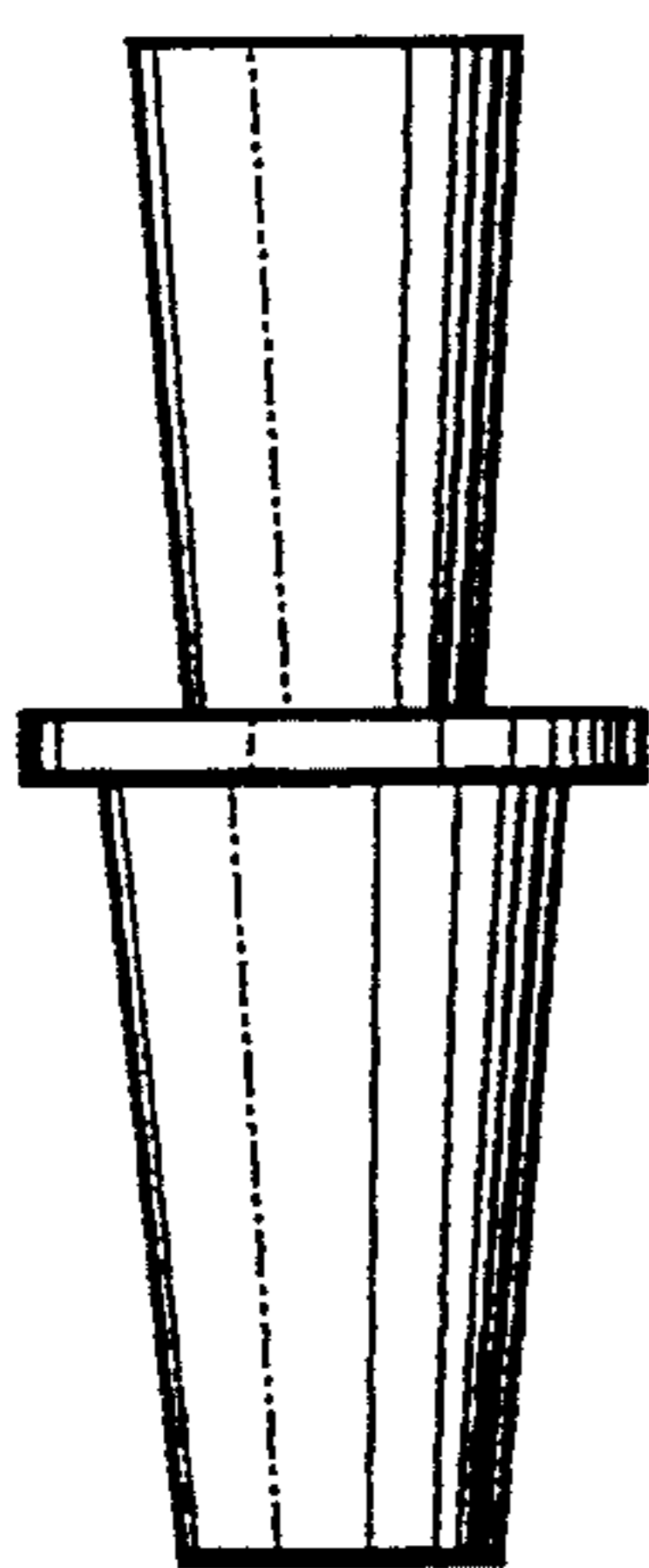


Fig. 2

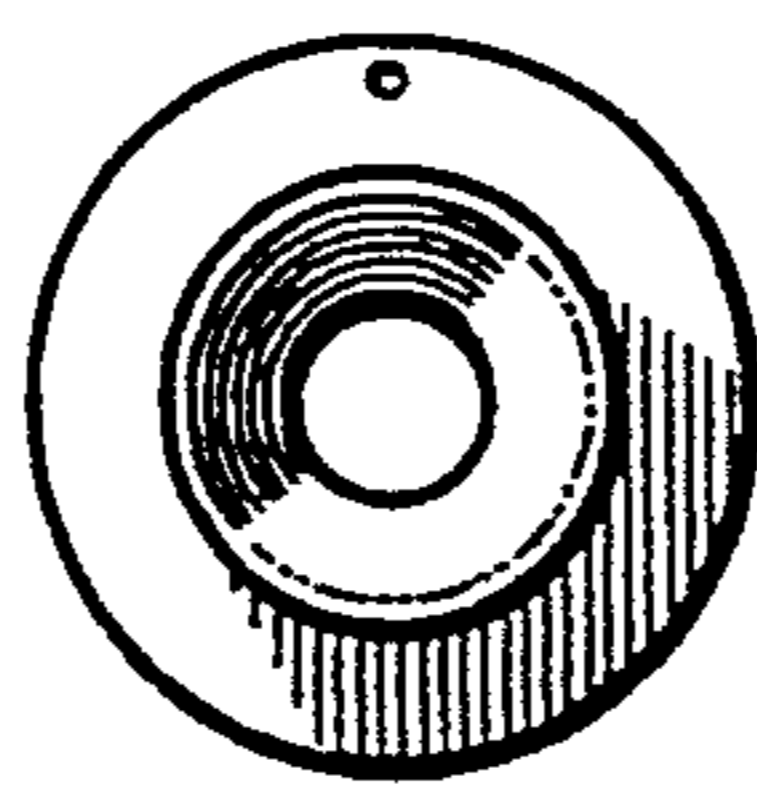


Fig. 3

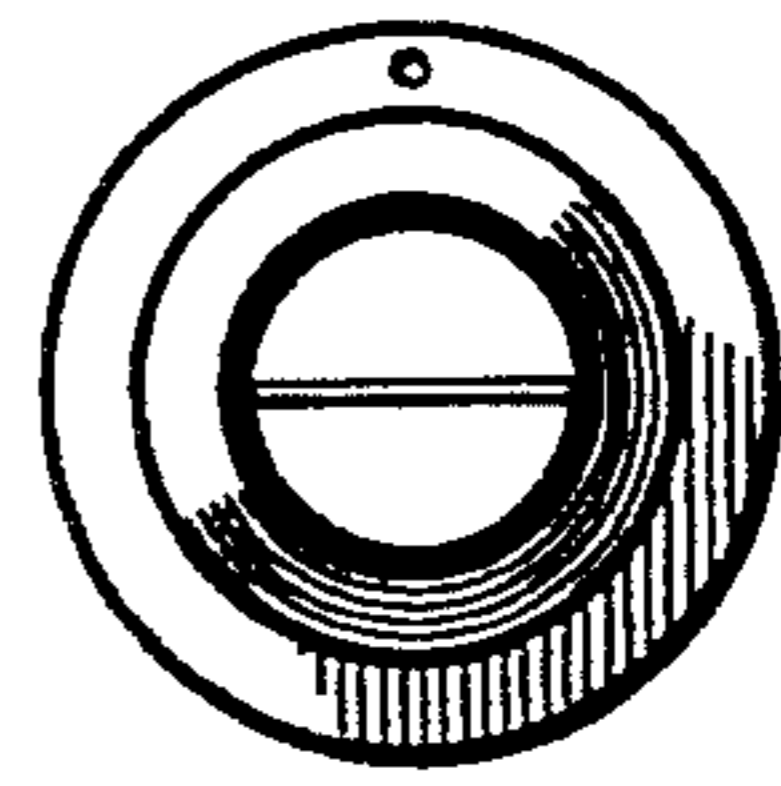


Fig. 4