



US00D352678S

United States Patent [19]
Fildan

[11] **Patent Number: Des. 352,678**
[45] **Date of Patent: ** Nov. 22, 1994**

[54] **GARMENT CLOSURE**

[56]

References Cited

U.S. PATENT DOCUMENTS

D. 274,293	6/1984	Goepfer	D11/212
D. 301,566	6/1989	Heiberger	D11/218
D. 337,745	7/1993	Fildan	D11/200
4,000,544	1/1977	Fildan	24/590

Primary Examiner—Ralf T. Seifert
Attorney, Agent, or Firm—Herbert Dubno; Ronald Lianides

[76] **Inventor: Gerhard Fildan, Wohnpark Alt Erlaa, Anton Baumgartner Str. 44, C 4 17 01, A-1232, Vienna, Austria**

[**] **Term: 14 Years**

[57]

CLAIM

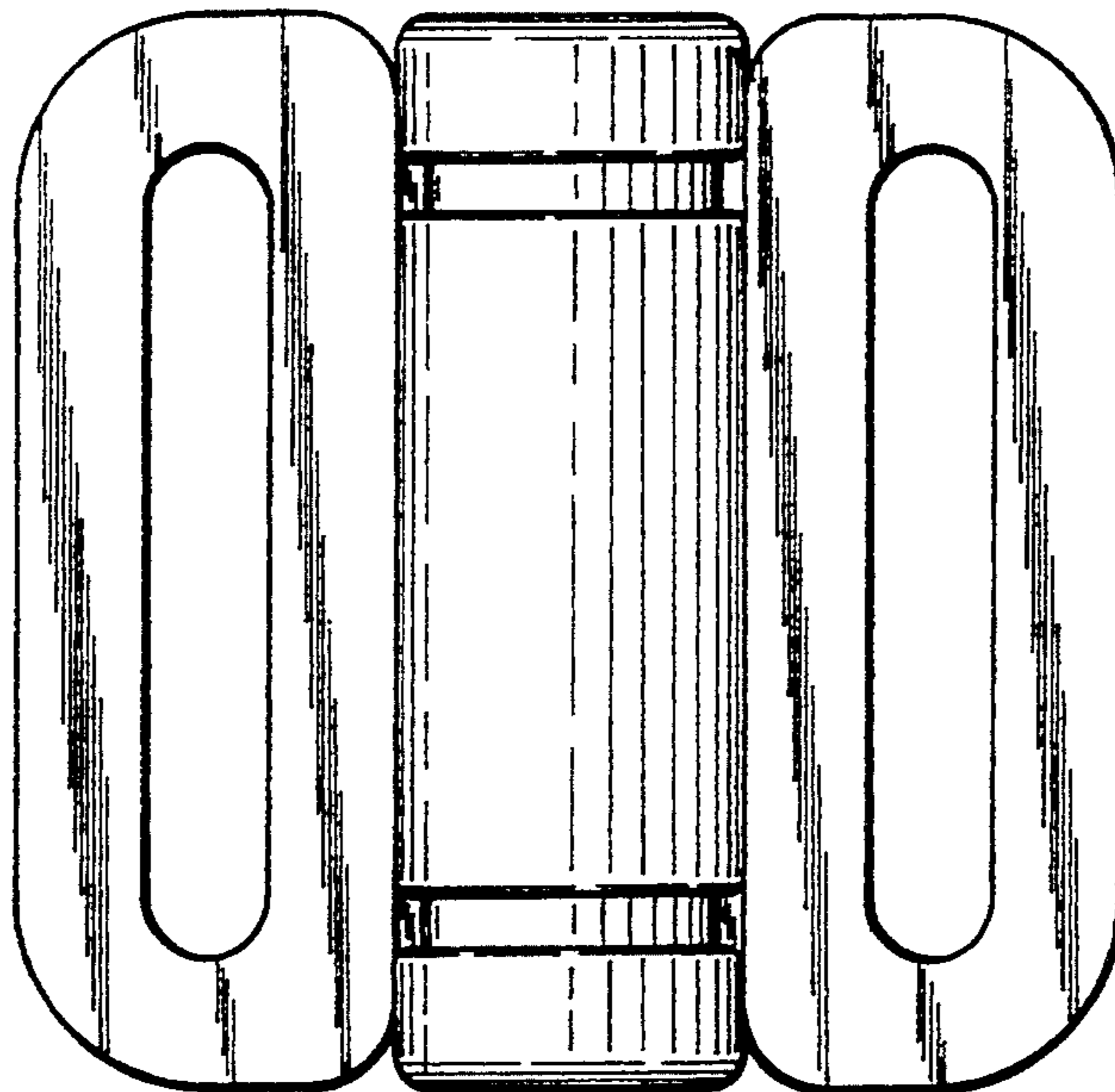
The ornamental design for a garment closure, as shown.

[21] **Appl. No.: 6,103**

DESCRIPTION

[22] **Filed: Mar. 23, 1993**
[52] **U.S. Cl. D11/212; D8/323**
[58] **Field of Search D8/323; 24/163 R, 165, 24/168, 200, 326, 327, 458, 459, 460, 466, 589, 590; D11/200-201, 208-210, 216, 212, 218; D32/61**

FIG. 1 is a front elevational view of a garment closure showing my new design;
FIG. 2 is a rear elevational view thereof;
FIG. 3 is a left side elevational view thereof;
FIG. 4 is a right side elevational view thereof;
FIG. 5 is a top plan view thereof; and,
FIG. 6 is a bottom plan view thereof.



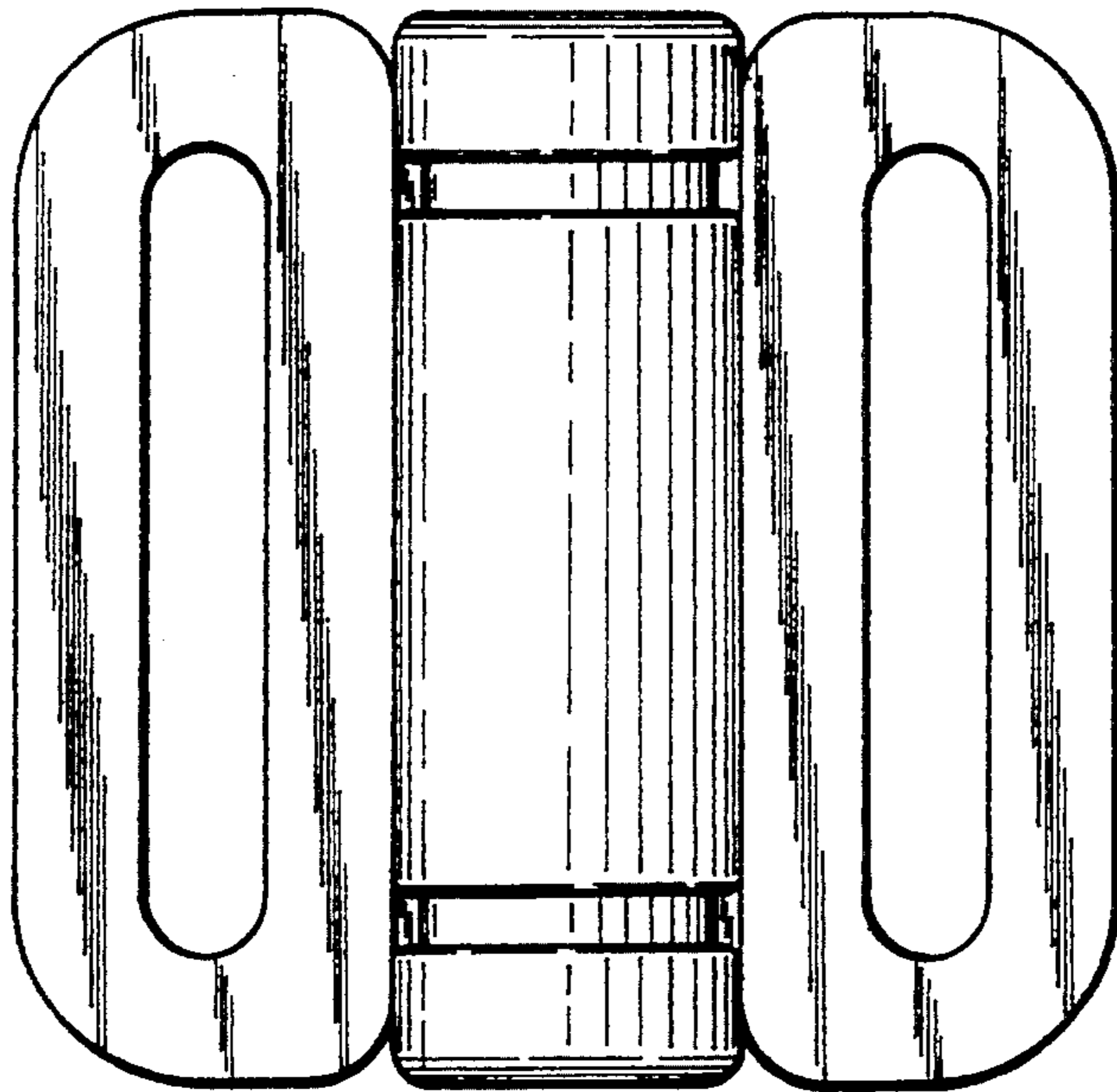


FIG. 1

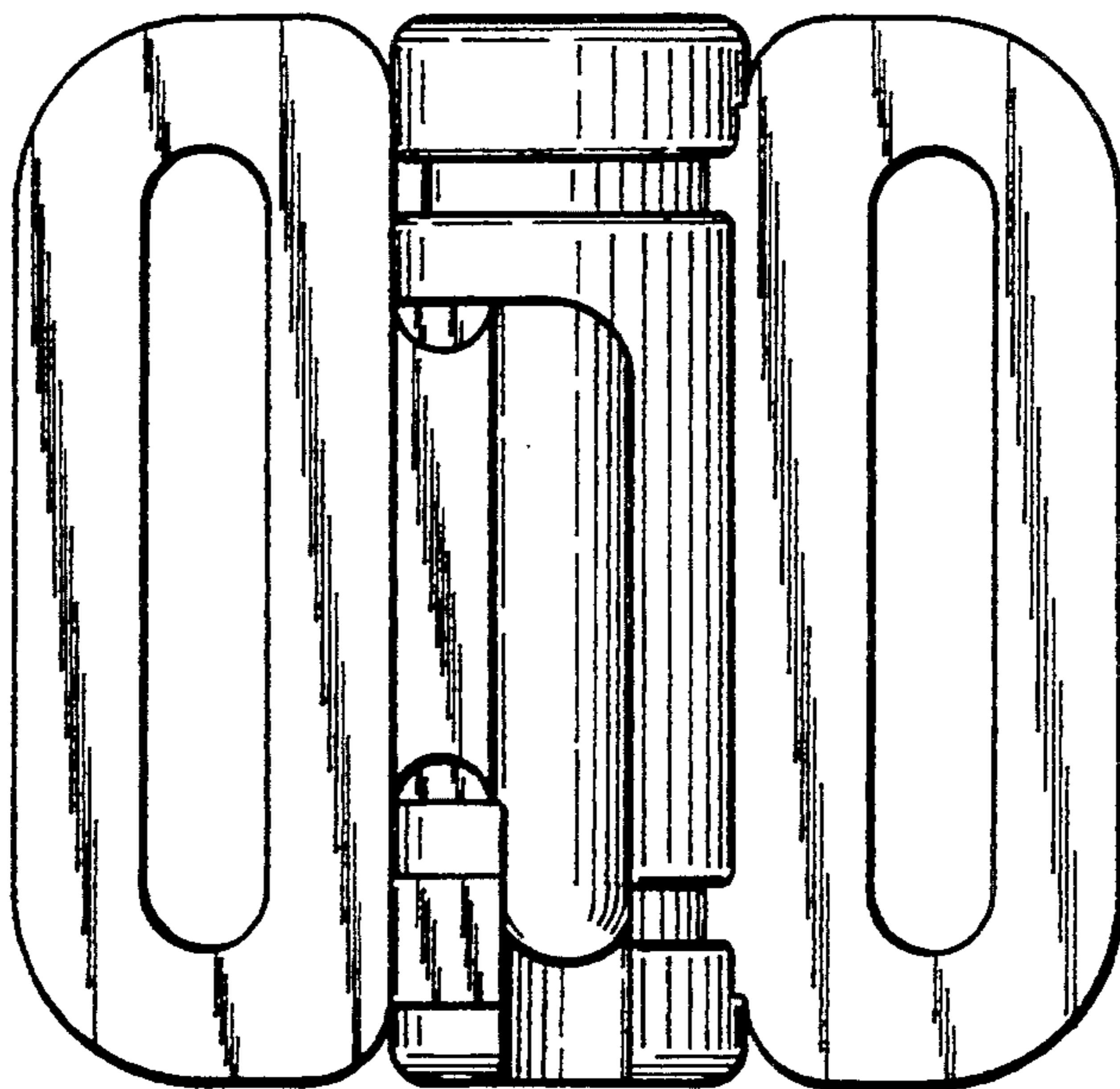


FIG. 2

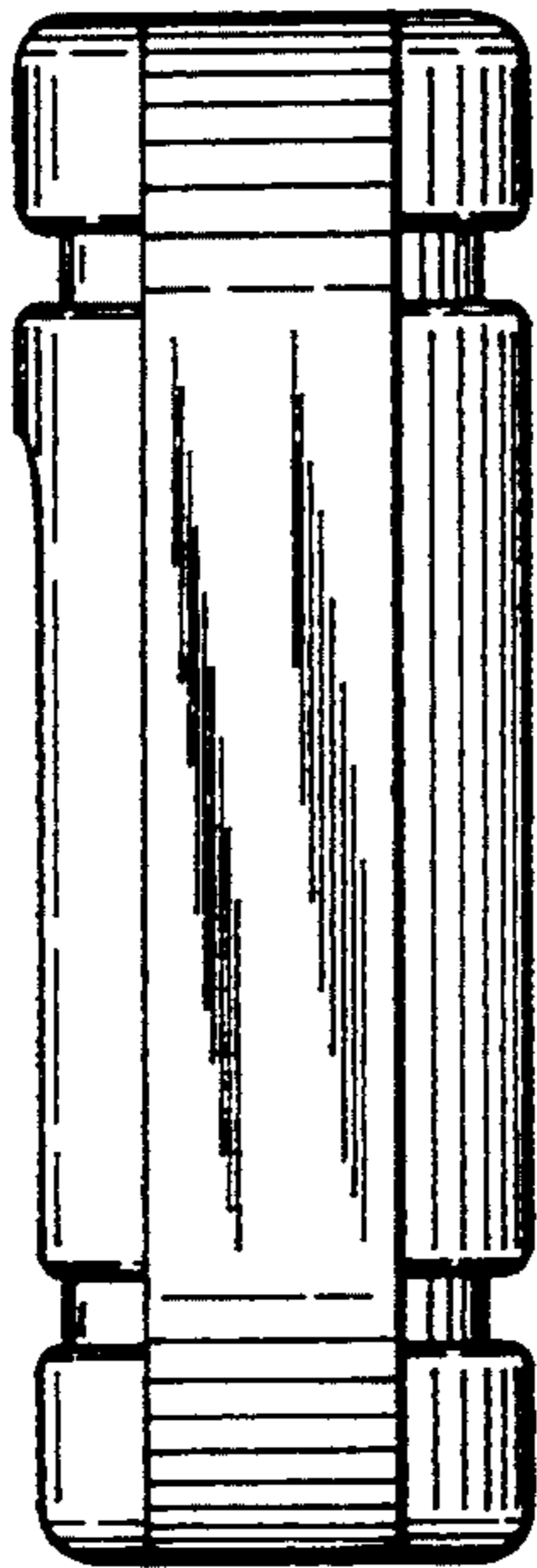


FIG. 3

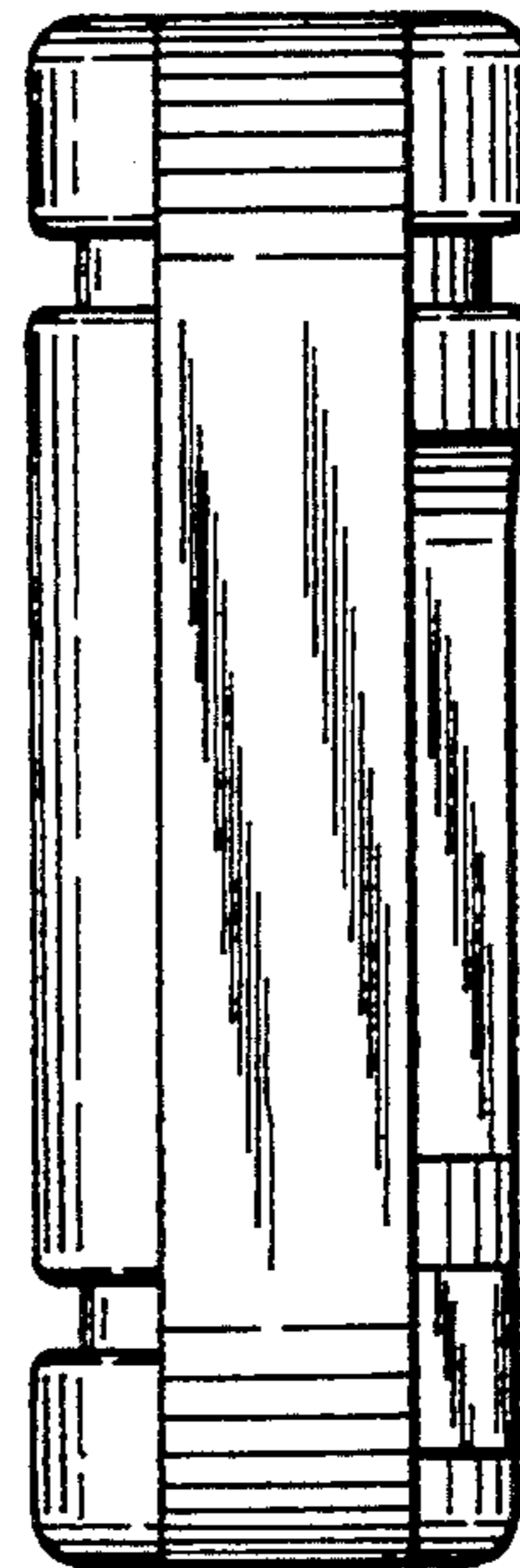


FIG. 4

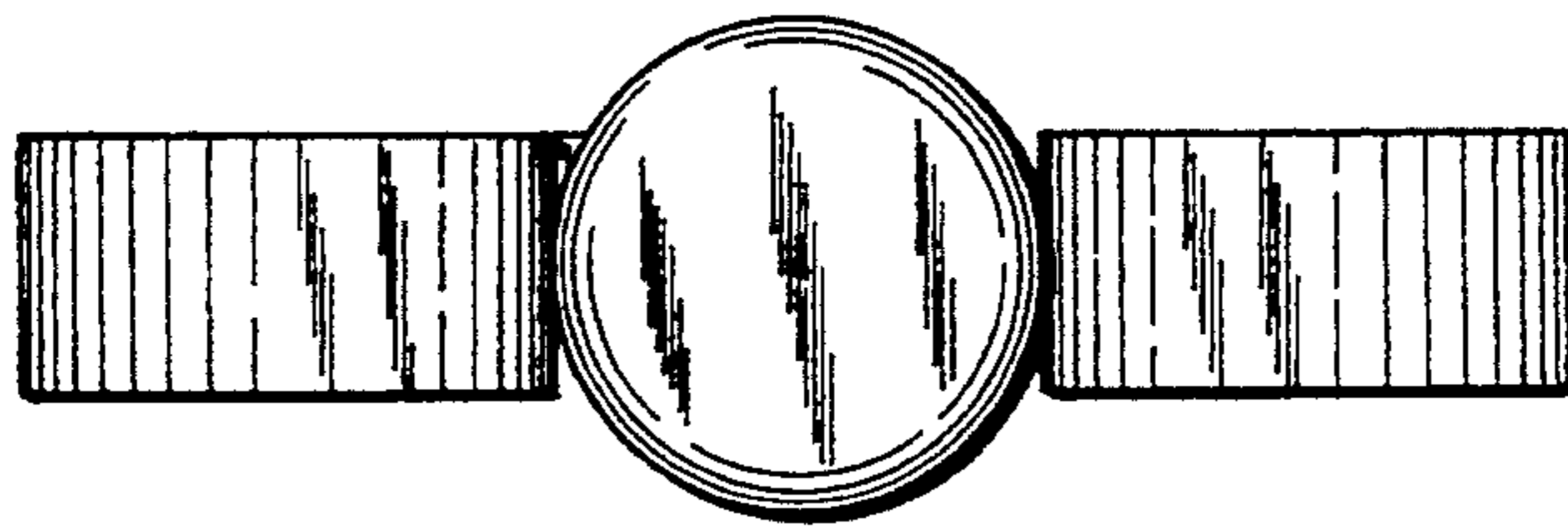


FIG. 5

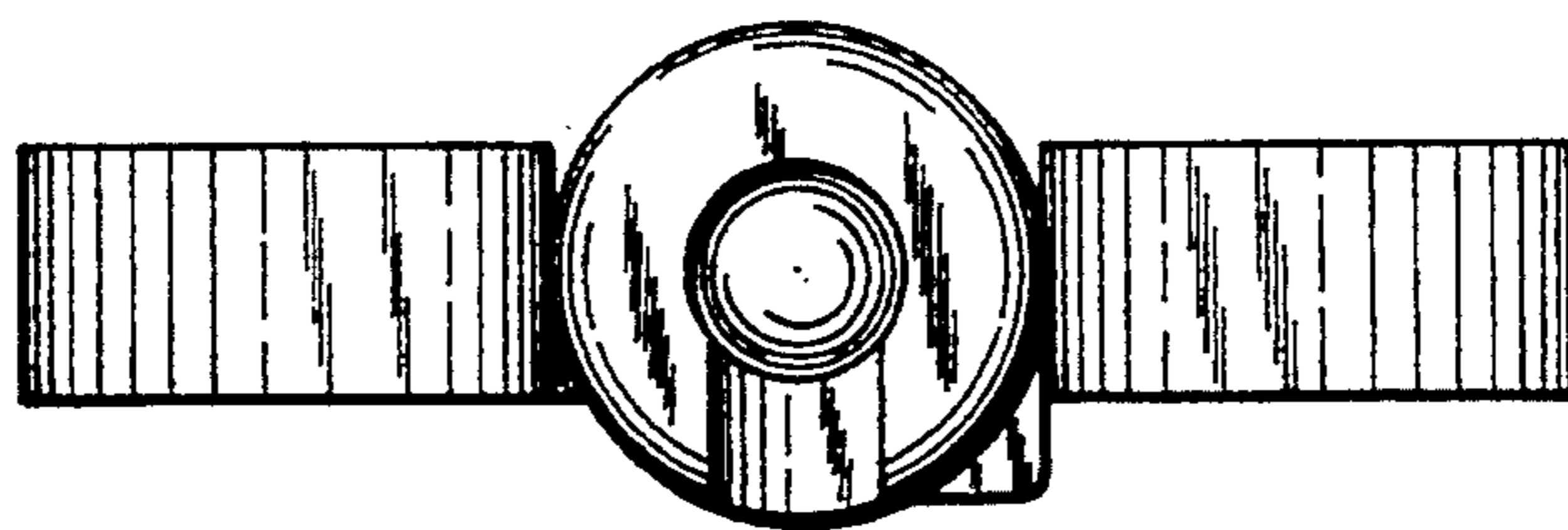


FIG. 6