



US00D352672S

United States Patent [19]

[11] Patent Number: **Des. 352,672**

Dumas

[45] Date of Patent: **** Nov. 22, 1994**

[54] RING

D. 253,093 10/1979 Glueckselig D11/35

[76] Inventor: **Malcolm C. Dumas**, 4714 N. Habana Suite 1203, Tampa, Fla. 33614

Primary Examiner—A. Hugo Word
Assistant Examiner—R. Seifert
Attorney, Agent, or Firm—Malloy & Malloy

[**] Term: **14 Years**

[57] **CLAIM**

[21] Appl. No.: **5,114**

The ornamental design for a ring, as shown and described.

[22] Filed: **Feb. 19, 1993**

[52] U.S. Cl. **D11/30**

[58] Field of Search 63/1.1, 2, 15-15.7;
D11/1-3, 26-39

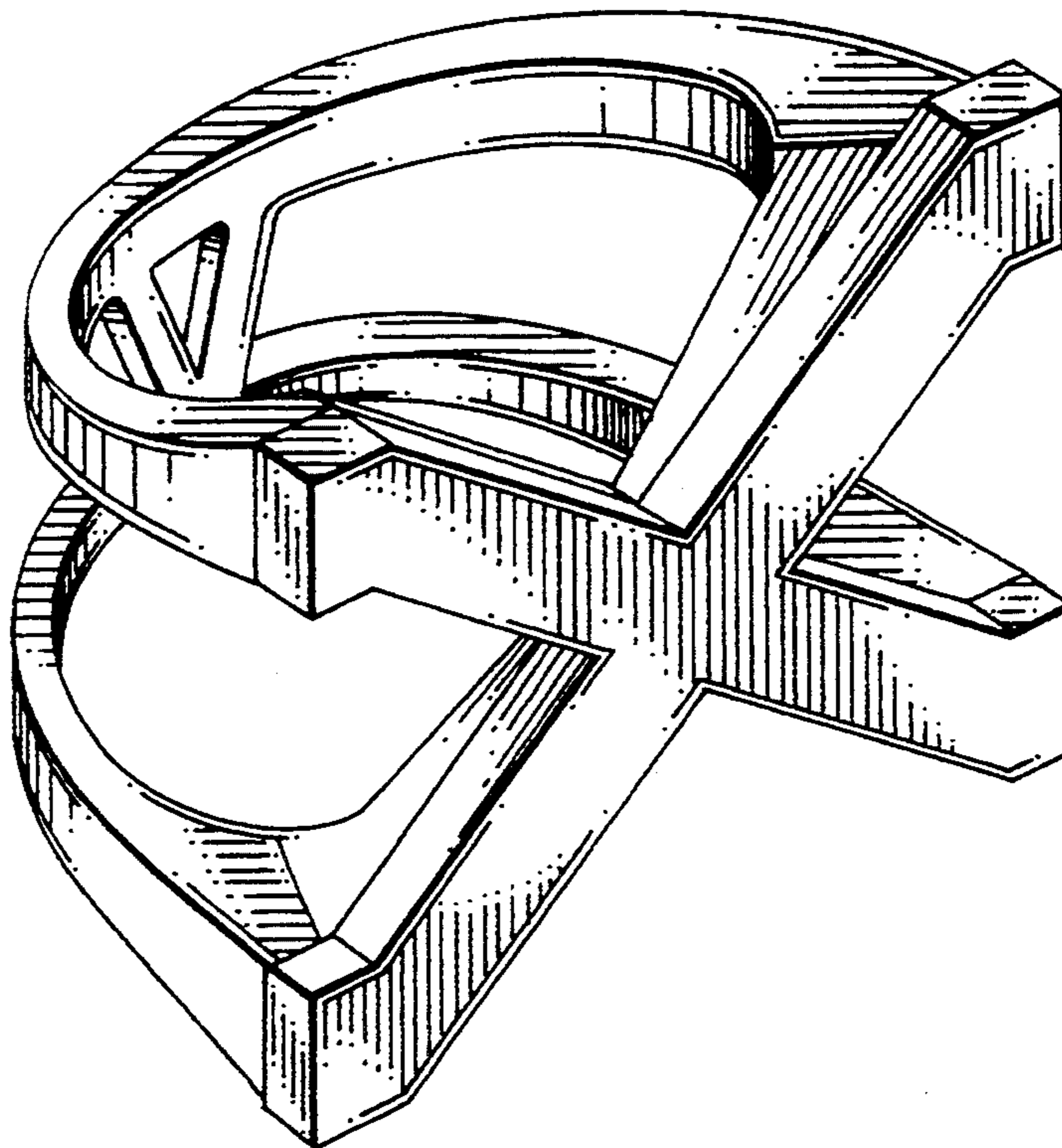
DESCRIPTION

[56] **References Cited**

U.S. PATENT DOCUMENTS

- D. 145,029 6/1946 Nalick D11/35
- D. 169,428 4/1953 DuBois D11/99
- D. 252,802 9/1979 Lavin D11/28

FIG. 1 is a top, front perspective view of a ring, showing my new design;
 FIG. 2 is a front elevation view thereof;
 FIG. 3 is a rear elevation view thereof;
 FIG. 4 is a left side elevation view thereof;
 FIG. 5 is a right side elevation view thereof;
 FIG. 6 is a top plan view thereof; and
 FIG. 7 is a bottom plan view thereof.



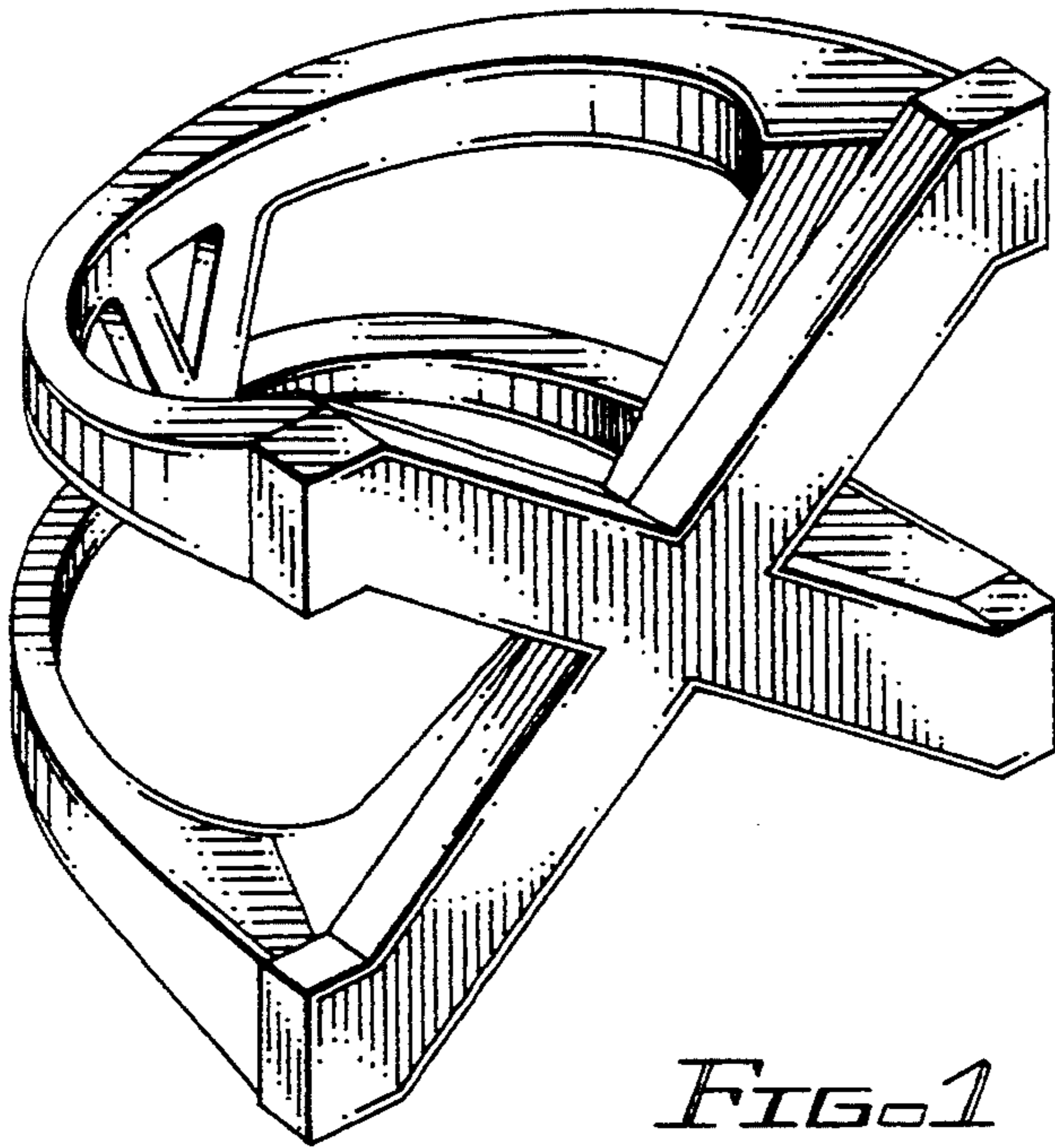


FIG. 1

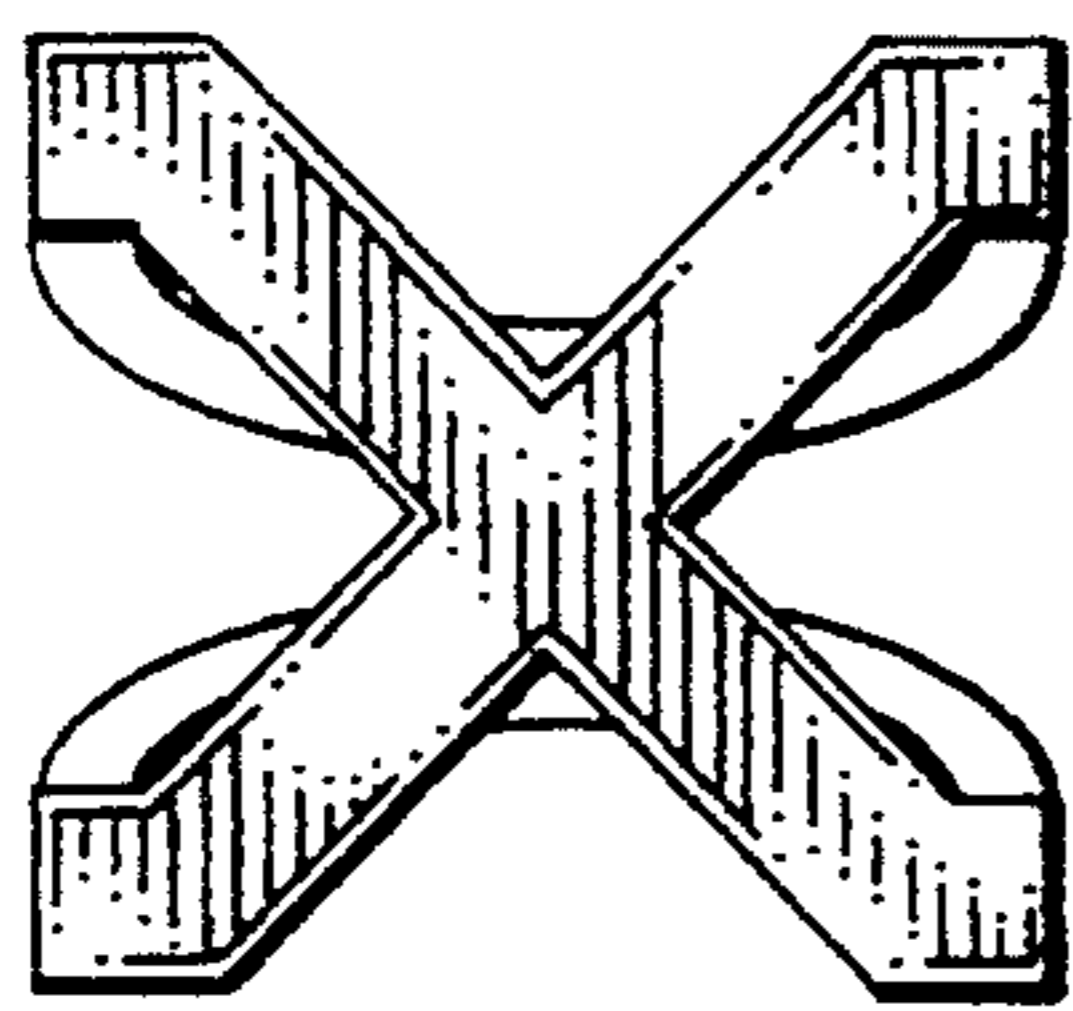


FIG. 2

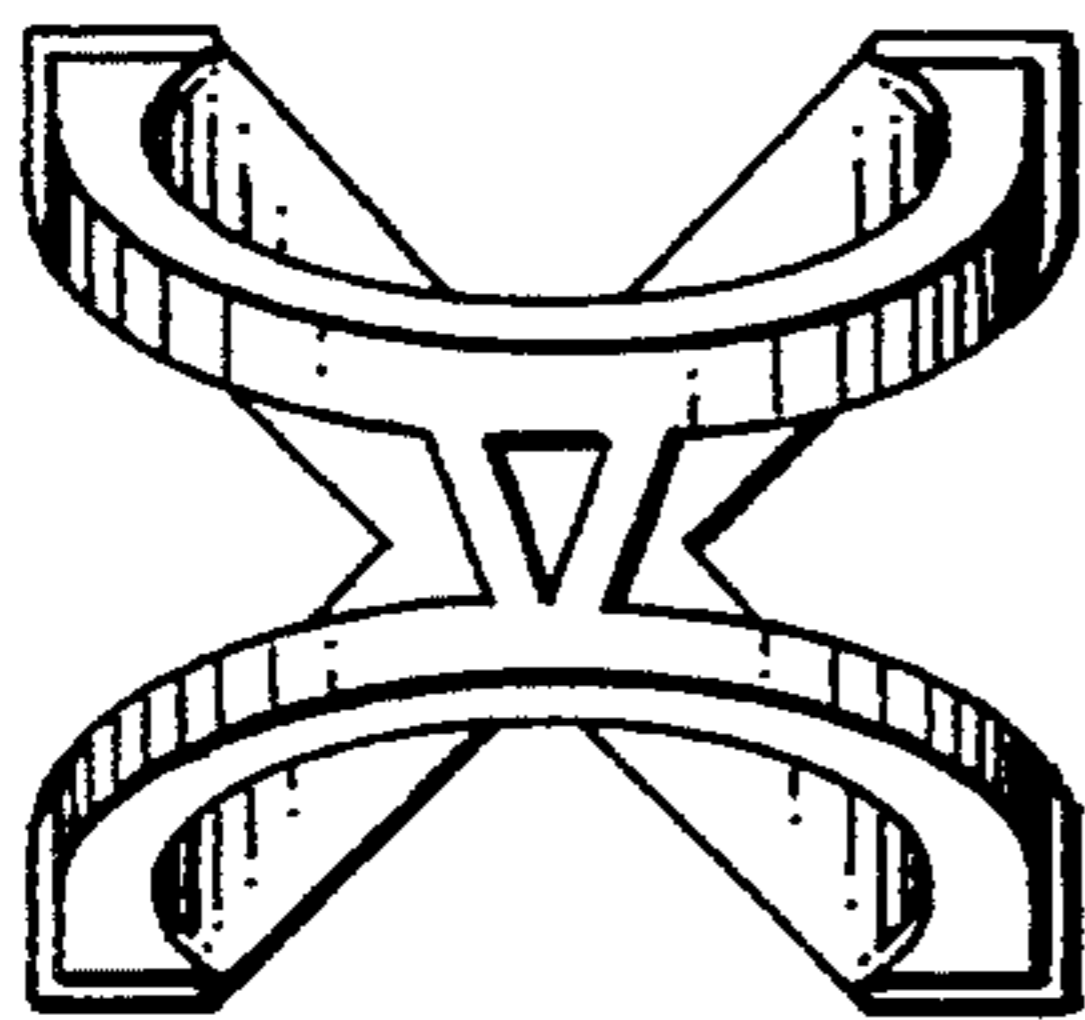


FIG. 3

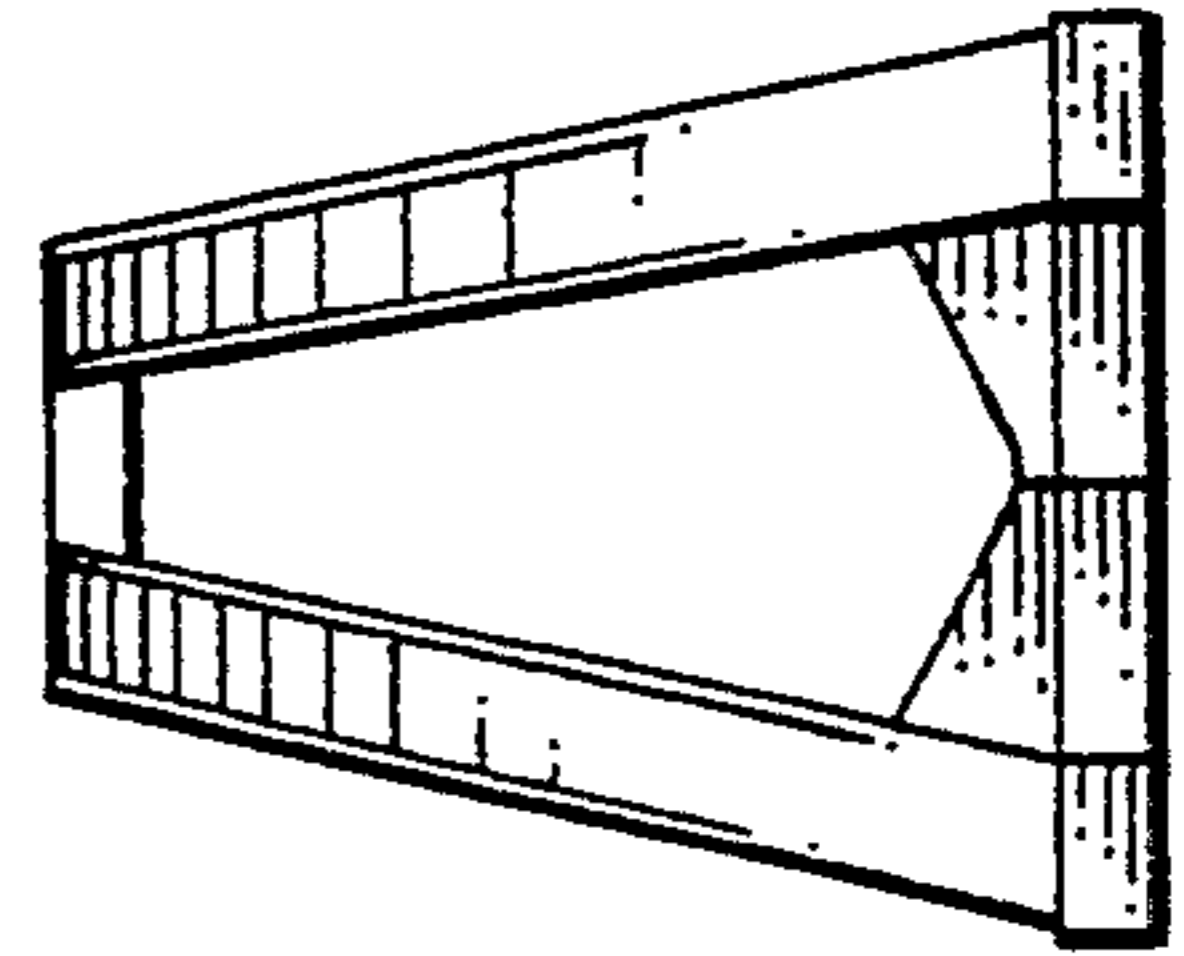


FIG. 4

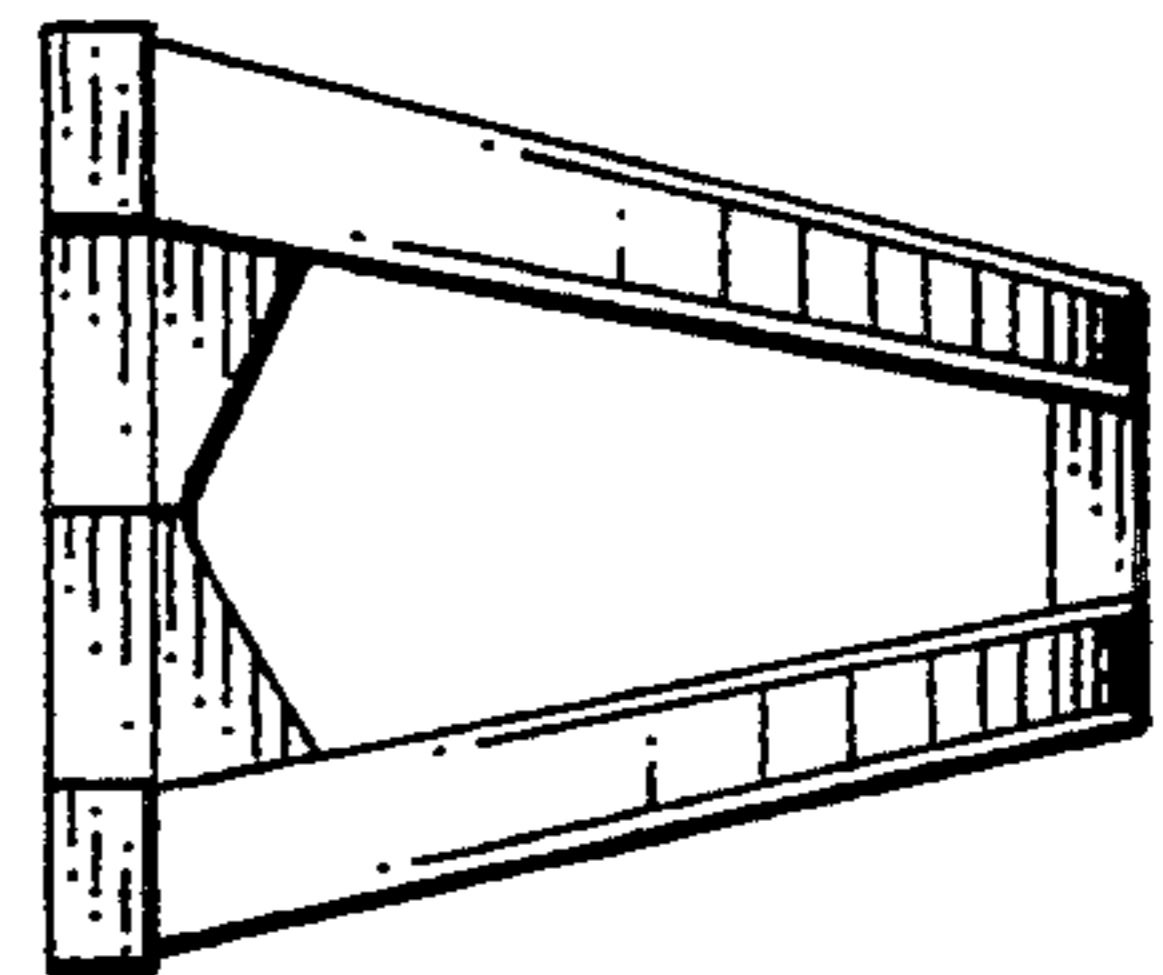


FIG. 5

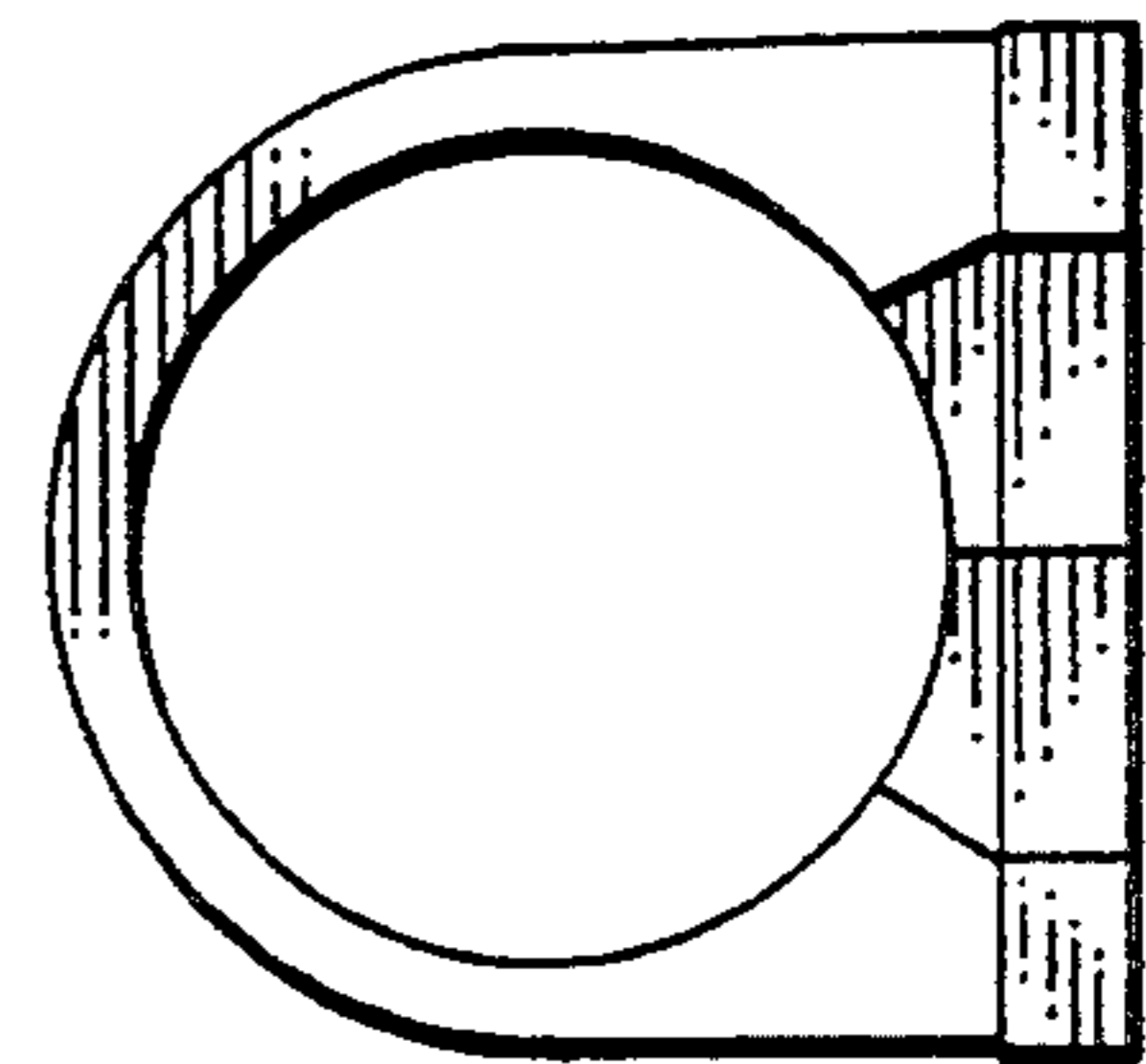


FIG. 6

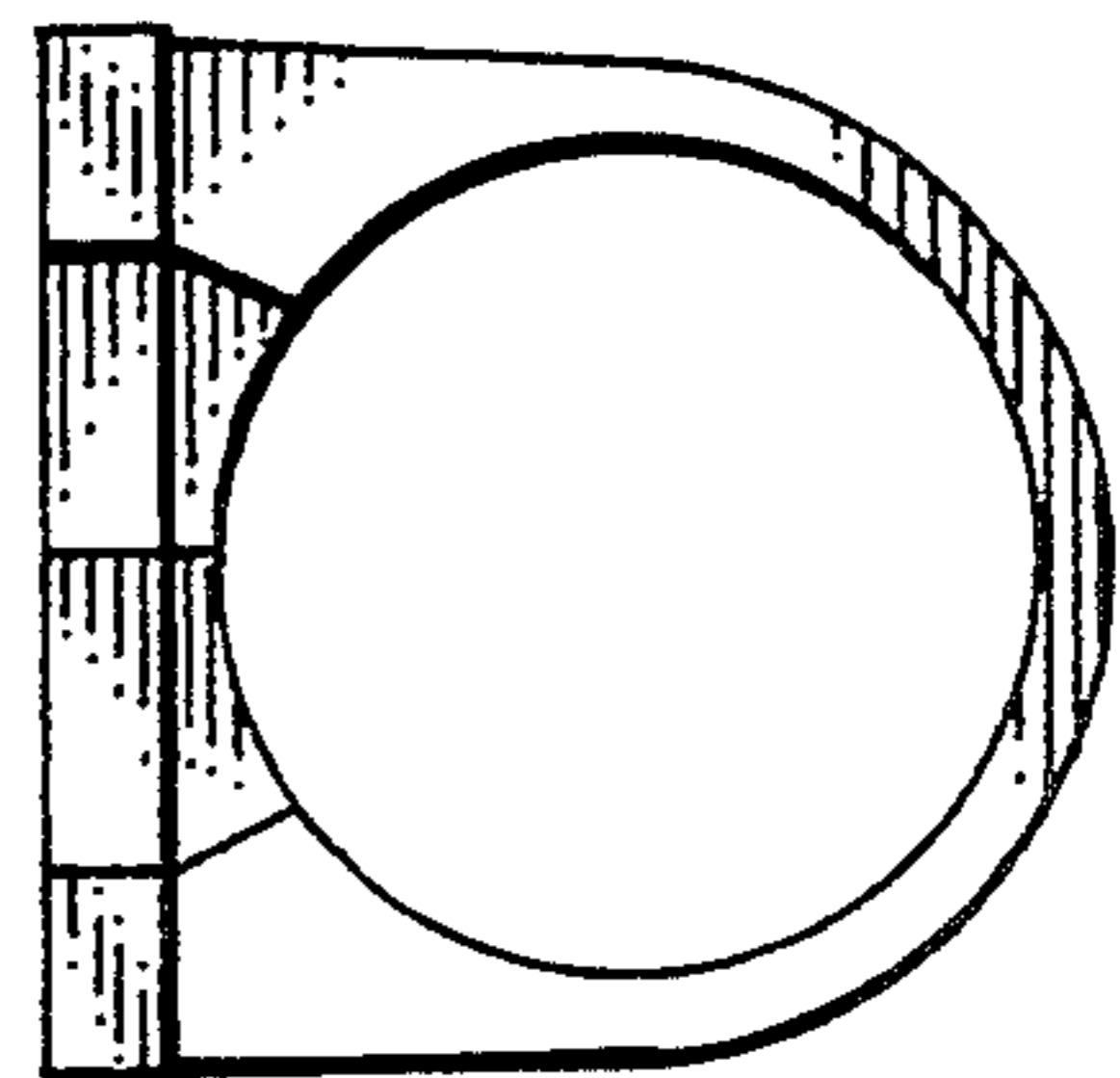


FIG. 7