



US00D352667S

# United States Patent [19] Chen

[11] Patent Number: **Des. 352,667**

[45] Date of Patent: **\*\* Nov. 22, 1994**

[54] **ELECTRONIC TIMER**

[76] Inventor: **Chan-Fu Chen**, No. 22-1, Lane 14, Ho Ping Rd., Pan Chiao City, Taipei Hsien, Taiwan, Prov. of China

[\*\*] Term: **14 Years**

[21] Appl. No.: **844,700**

[22] Filed: **Mar. 3, 1992**

[52] U.S. Cl. .... **D10/40; D10/75; D13/142**

[58] Field of Search ..... **307/141, 141.4; 368/107-109; D10/2, 15, 30, 40; D13/139, 142**

[56] **References Cited**

**U.S. PATENT DOCUMENTS**

D. 269,857	7/1983	Goodin	.....	D10/40 X
D. 274,135	6/1984	Anderson	.....	D10/40 X
D. 276,150	10/1984	Marshall	.....	D13/142
D. 285,418	9/1986	Keichel	.....	D10/40
D. 310,063	8/1990	Cheng	.....	D13/142
D. 314,177	1/1991	Heiligenstein	.....	D13/142

D. 315,893	4/1991	Cheng	.....	D13/142
D. 342,581	12/1993	Reynolds	.....	D13/139 X
4,712,019	12/1987	Nilssen	.....	307/141.4 X

**OTHER PUBLICATIONS**

*European Jeweler*—(U.Z.)—Jan. 1986—p. 172—timer at center-left.

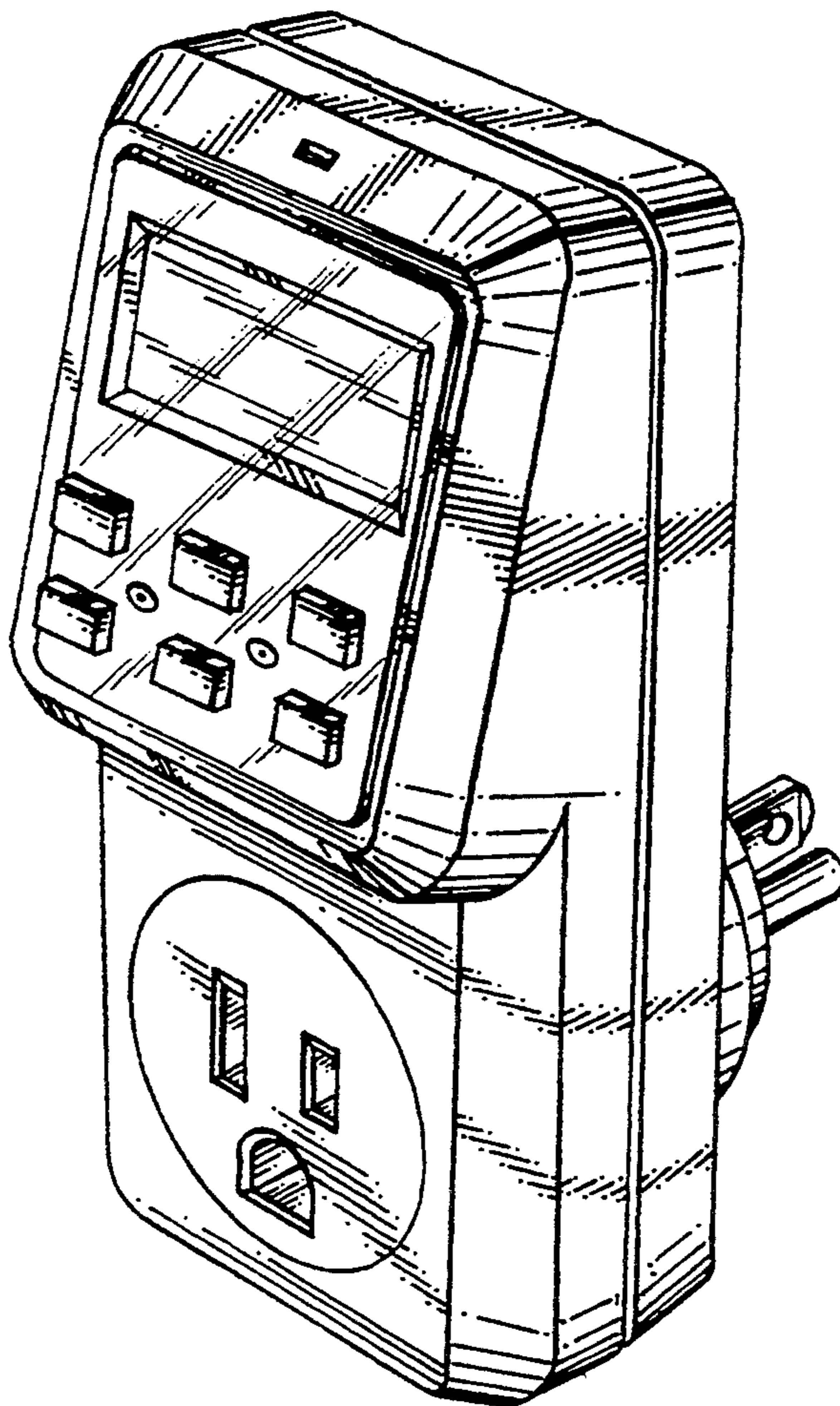
*Primary Examiner*—Nelson C. Holtje  
*Attorney, Agent, or Firm*—Varndell Legal Group

[57] **CLAIM**

The ornamental design for electronic timer, as shown and described.

**DESCRIPTION**

FIG. 1 is a perspective view of electronic timer showing my new design;  
FIG. 2 is a front elevational view thereof;  
FIG. 3 is a side elevational view thereof, the opposite view being the same as that shown;  
FIG. 4 is a top plan view thereof;  
FIG. 5 is a bottom plan view thereof; and,  
FIG. 6 is a rear elevational view thereof.



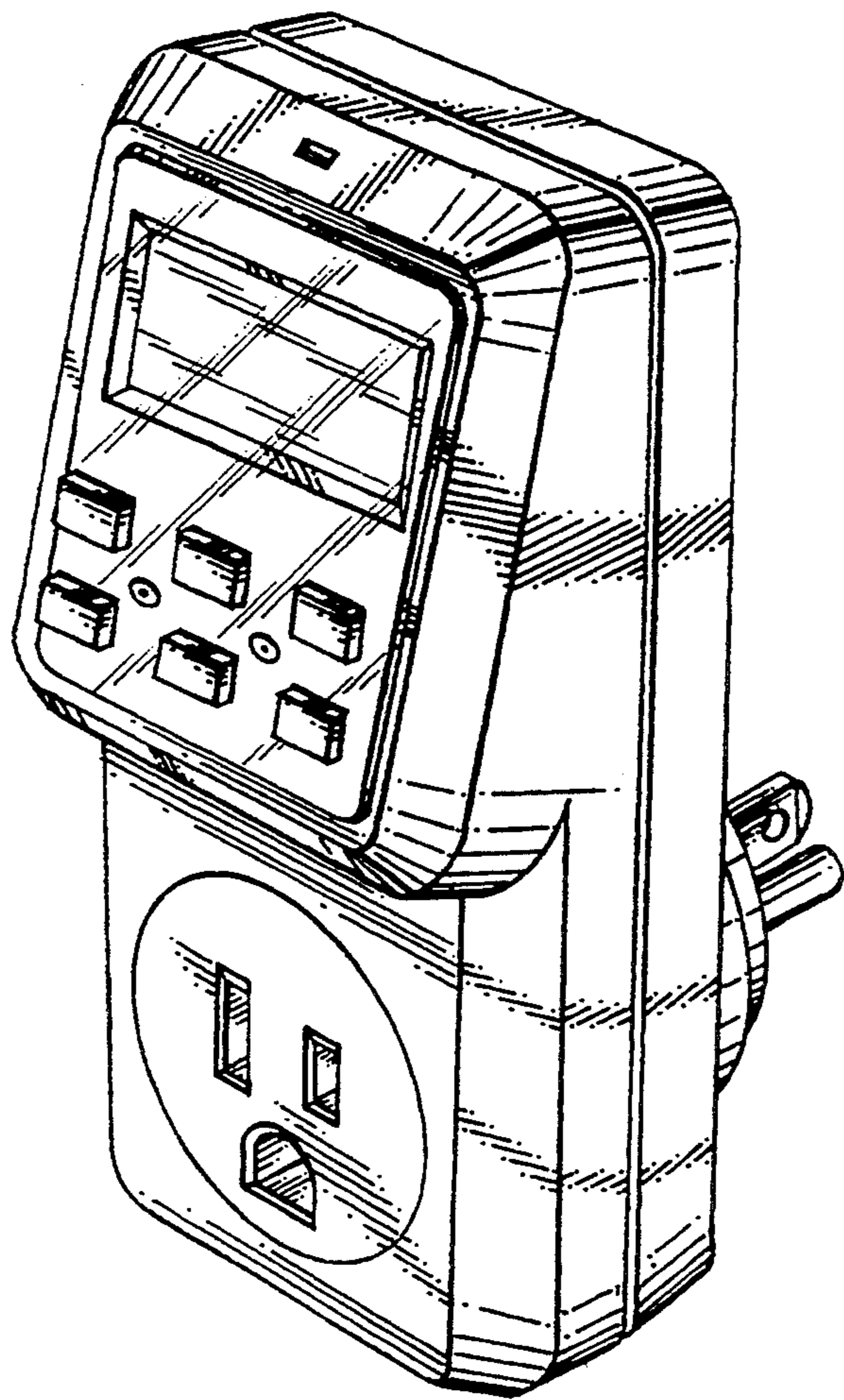


Fig.1

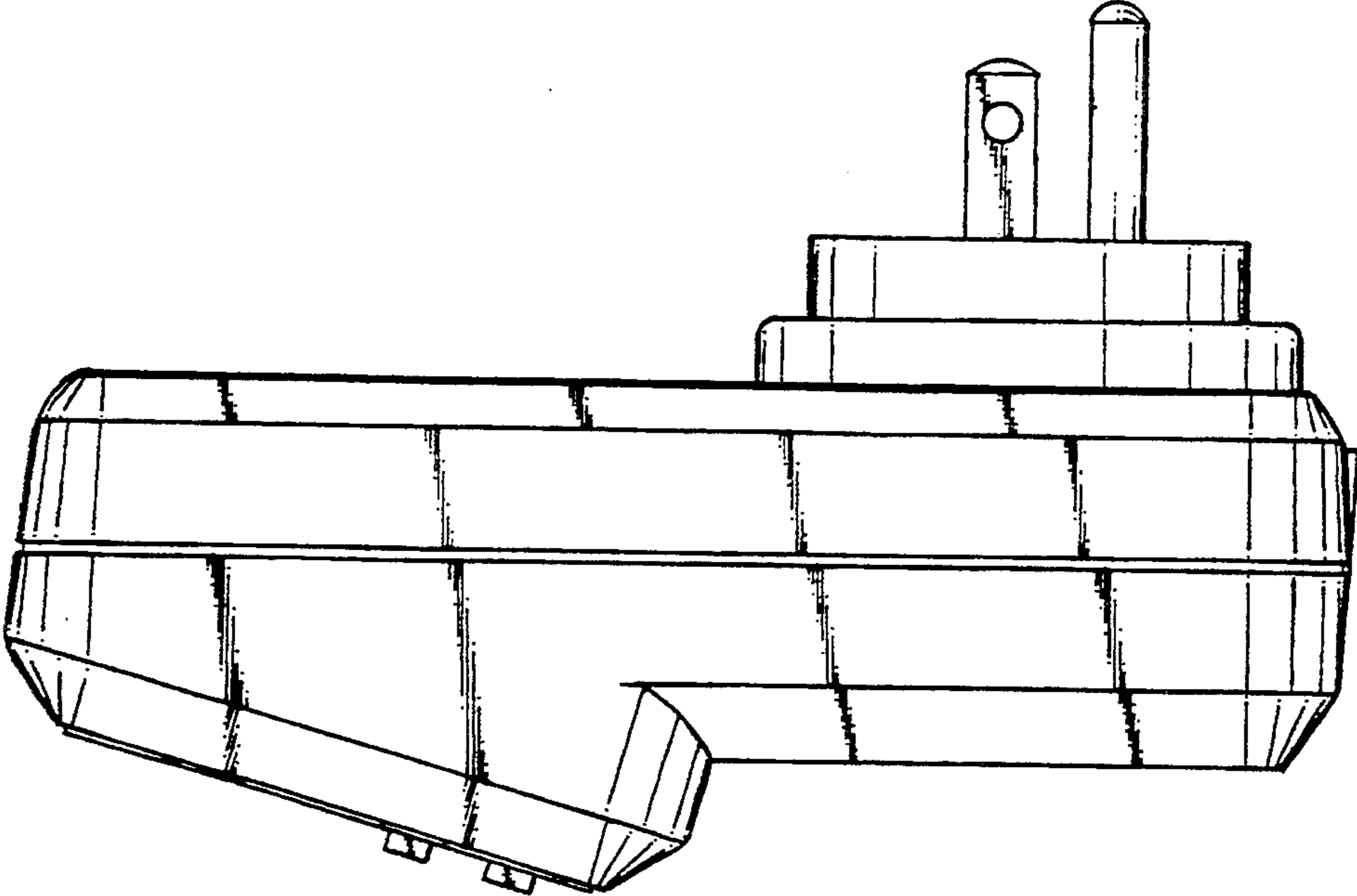


Fig. 3

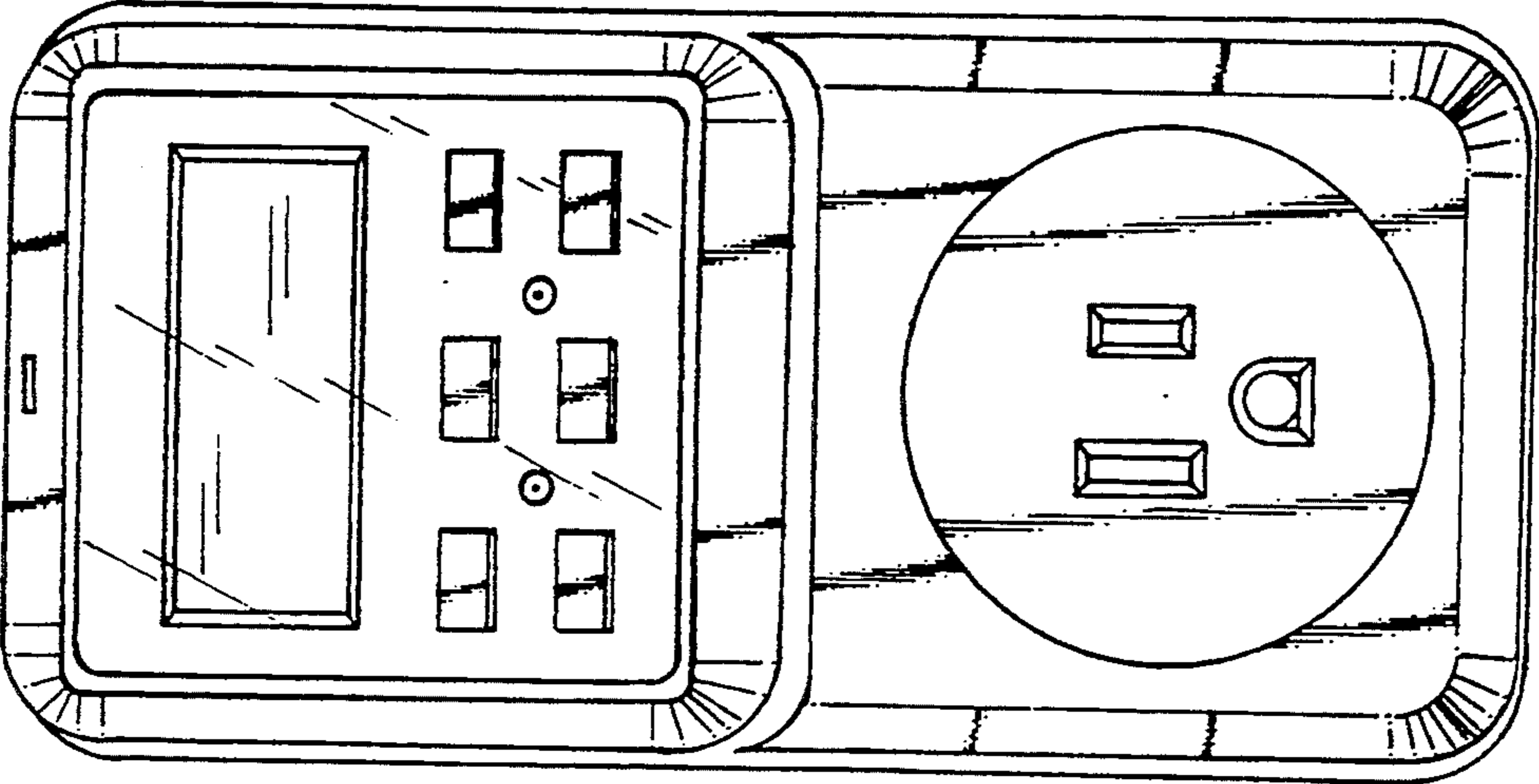


Fig. 2

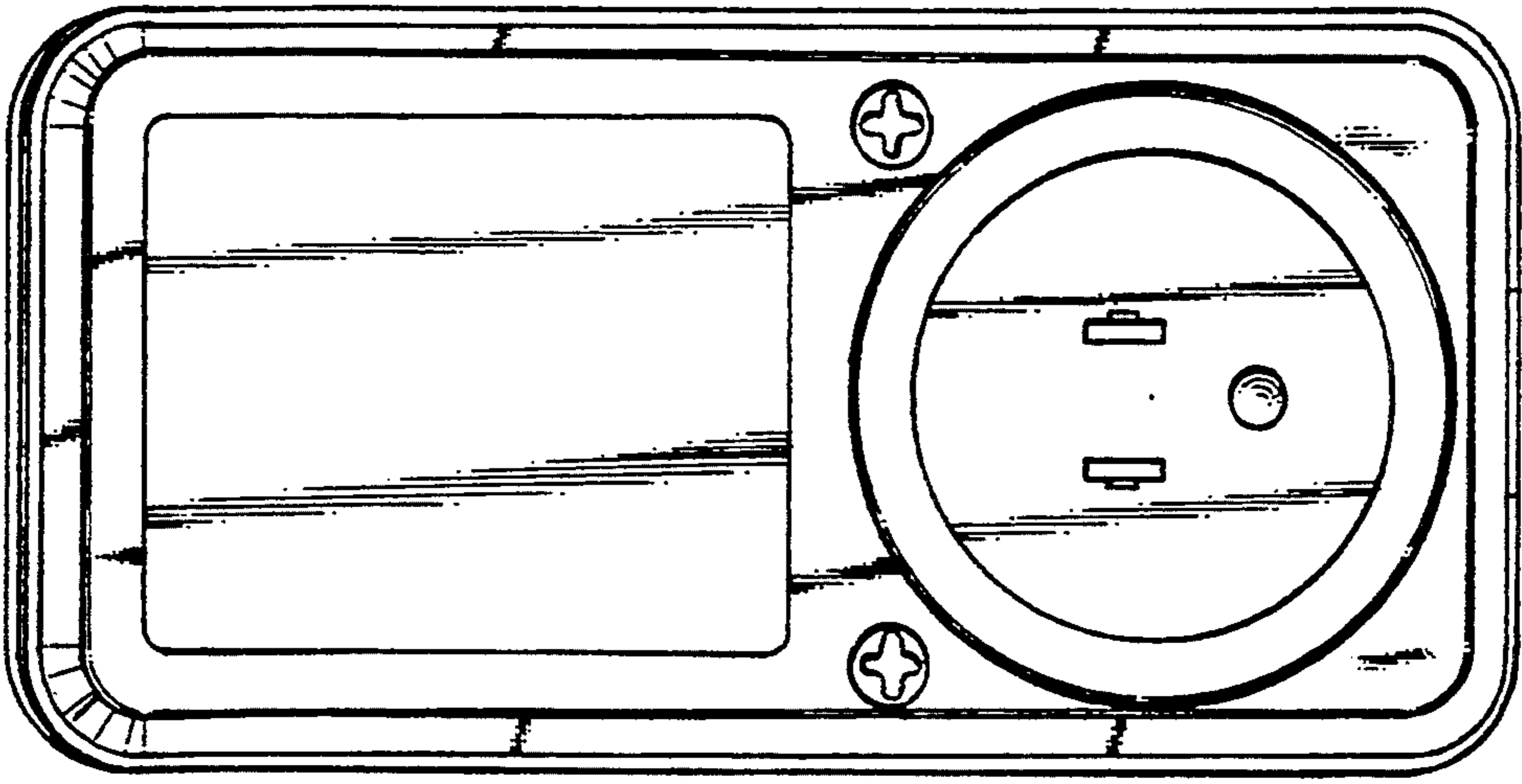


Fig.6

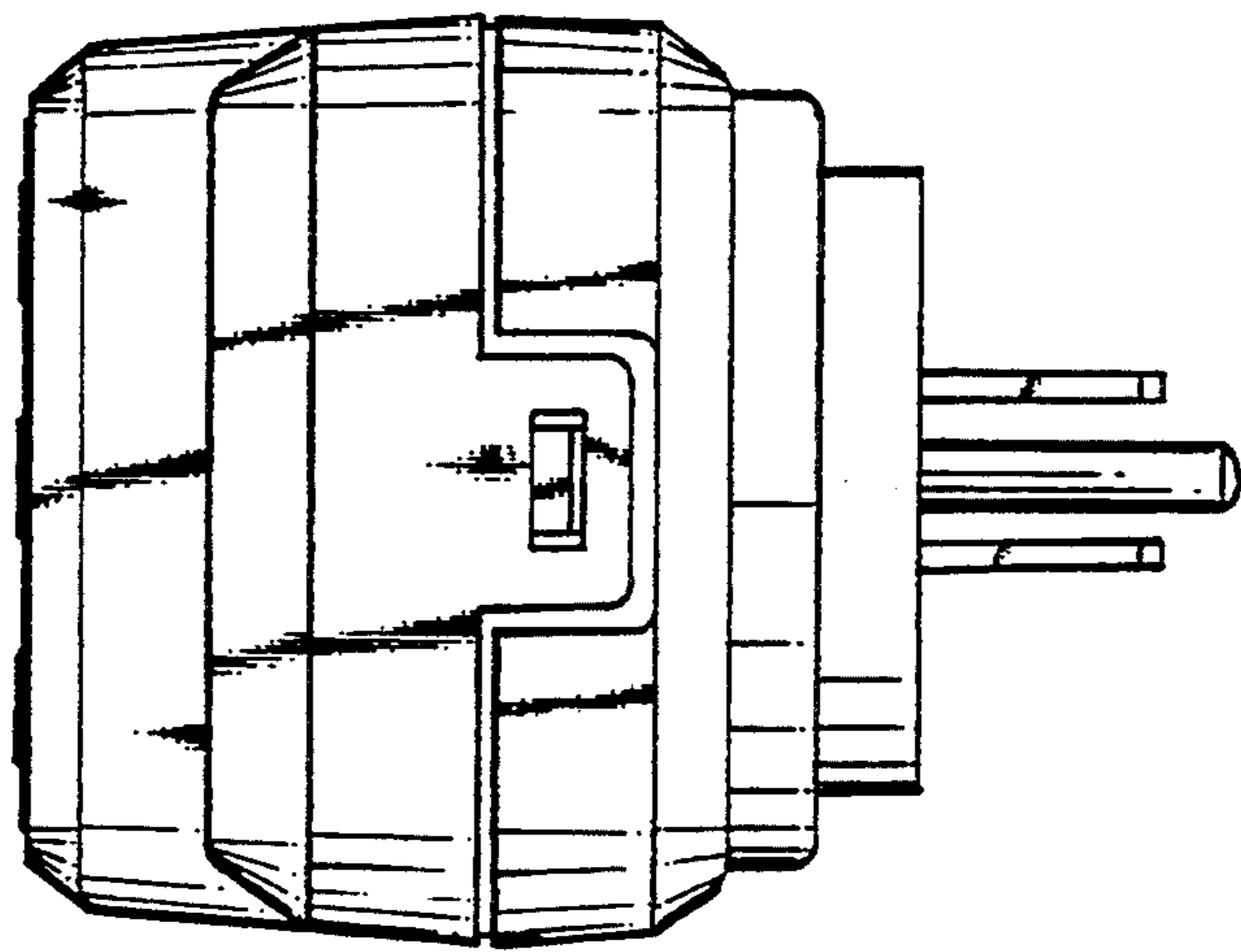


Fig.5

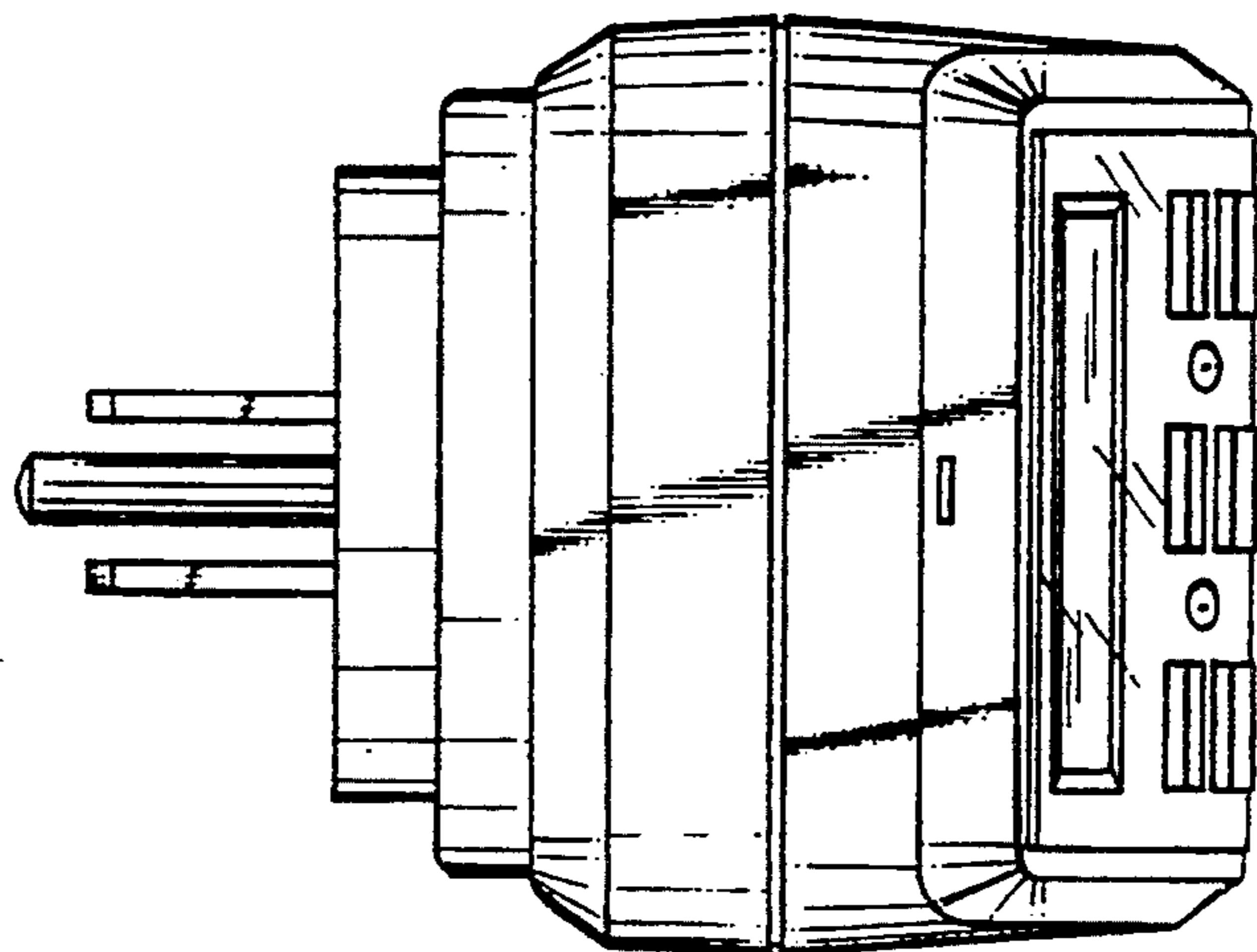


Fig.4