



US00D352656S

United States Patent [19]

[11] Patent Number: **Des. 352,656**

Rodman

[45] Date of Patent: **** Nov. 22, 1994**

[54] **FLIP-DOWN T-SHAPED WALL ANCHOR**

1,145,423 7/1915 Joseph 411/340
1,159,420 11/1915 Rubly 411/340

[76] Inventor: **Wayne Rodman**, 24331 Muirlands Blvd., #4-142, Lake Forest, Calif. 92630

Primary Examiner—B. J. Bullock

[**] Term: **14 Years**

[57] **CLAIM**

[21] Appl. No.: **795,635**

The ornamental design for a flip-down T-shaped wall anchor, as shown and described.

[22] Filed: **Nov. 21, 1991**

DESCRIPTION

[52] U.S. Cl. **D8/385; D8/387**

[58] Field of Search **D8/385, 387; 411/15, 411/340, 378**

FIG. 1 is a perspective view of a flip-down T-shaped wall anchor of the design, in a set position;

FIG. 2 is a left side elevational view thereof, the right side being a mirror image;

FIG. 3 is a front elevational view thereof, the rear being a mirror image;

FIG. 4 is a right side elevational view thereof, in an insert position;

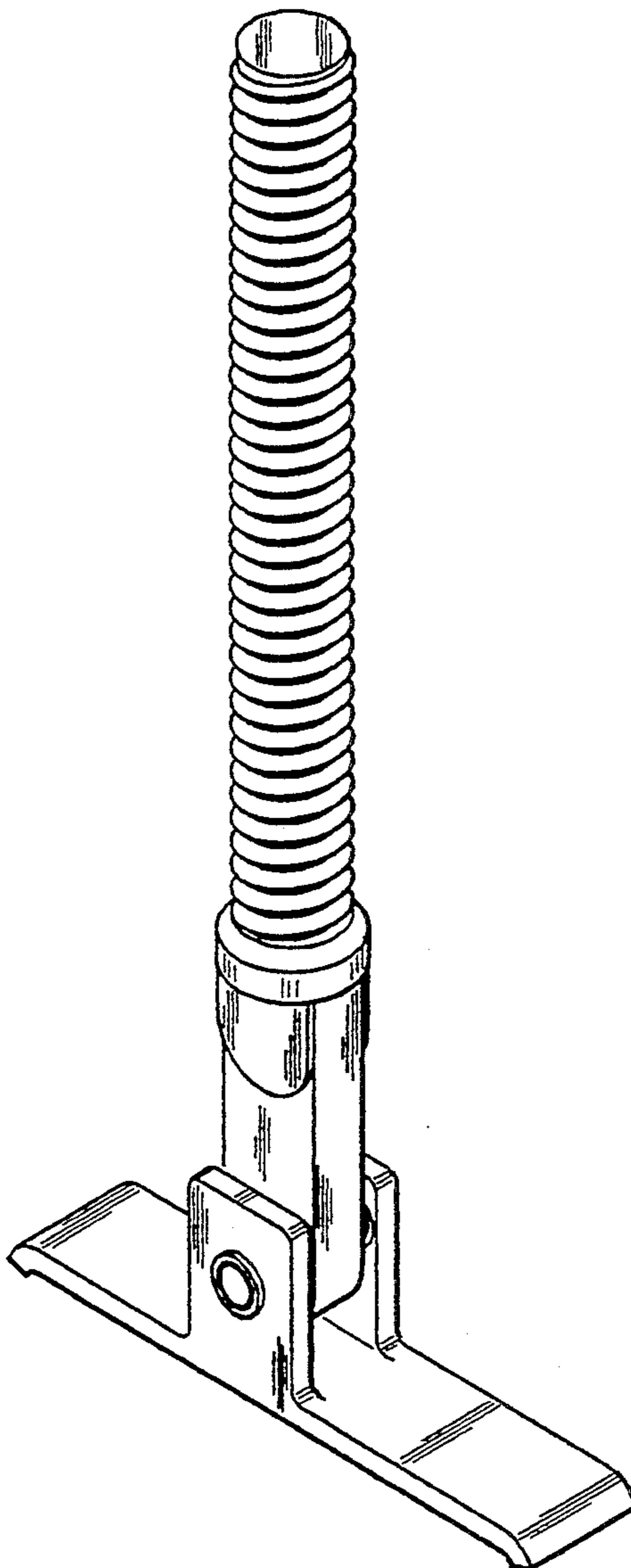
FIG. 5 is a bottom plan view thereof; and,

FIG. 6 is a top plan view thereof.

[56] **References Cited**

U.S. PATENT DOCUMENTS

549,069	10/1895	Lever	411/340
991,427	5/1911	Clements	411/340
1,003,527	9/1911	Smith	411/340
1,061,480	6/1913	Kennedy	411/340



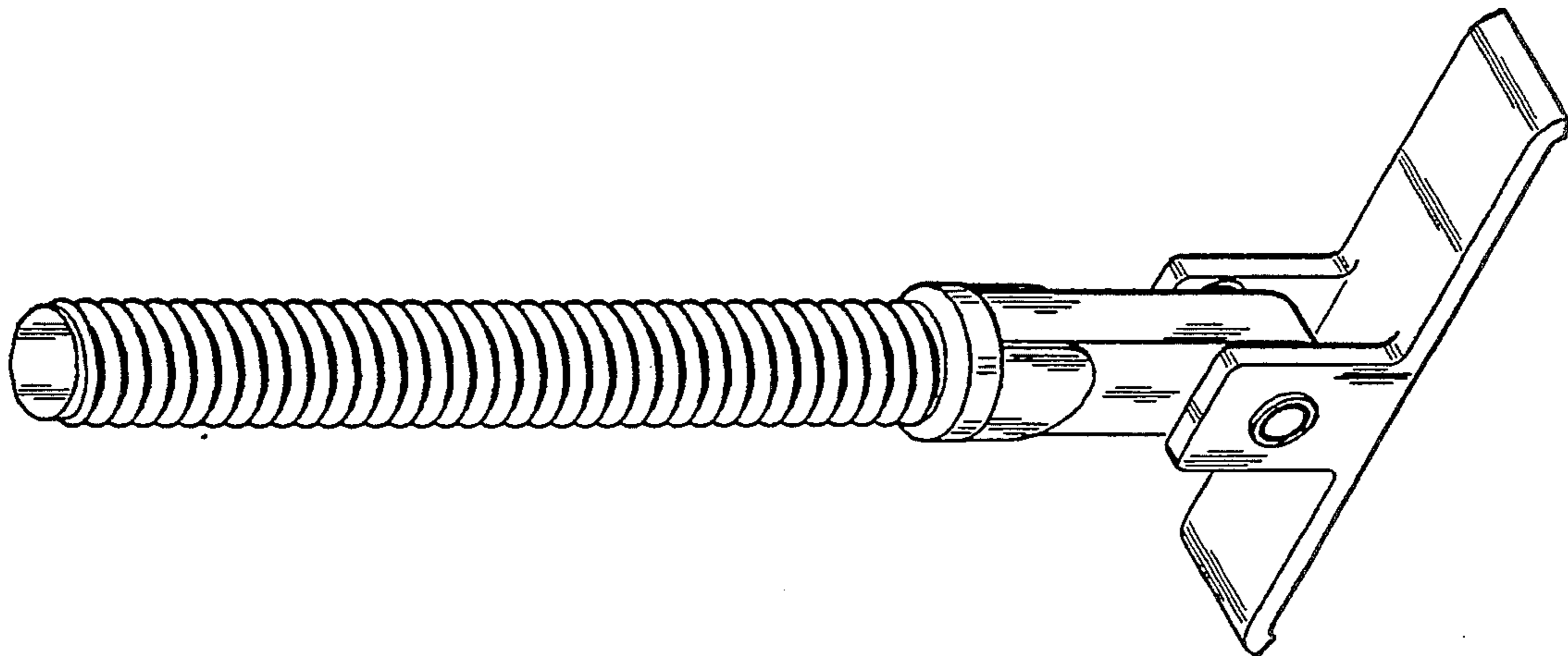


FIG. 1

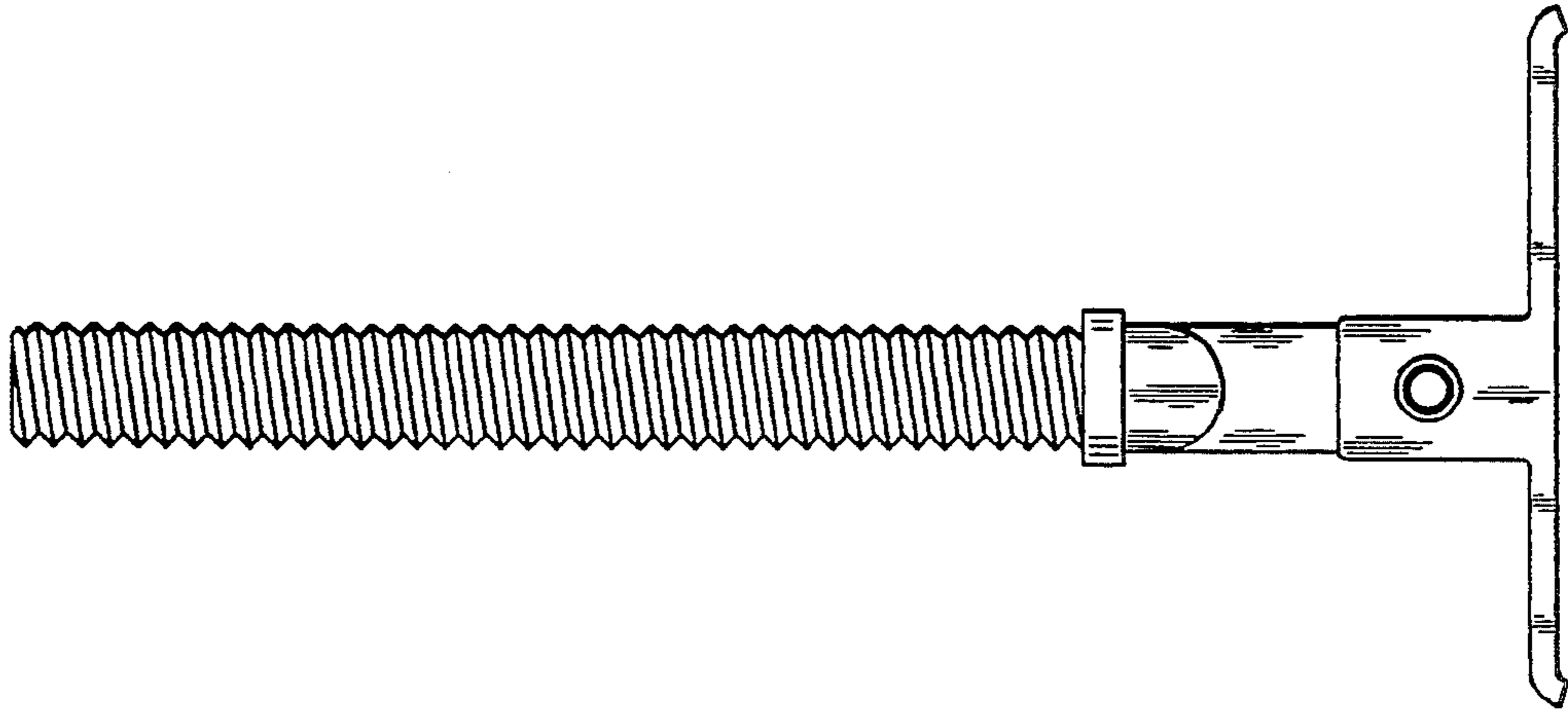


FIG. 2



FIG. 3

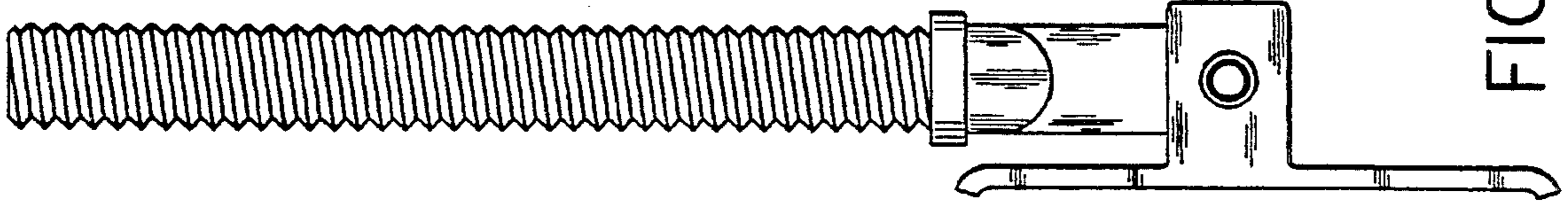


FIG. 4

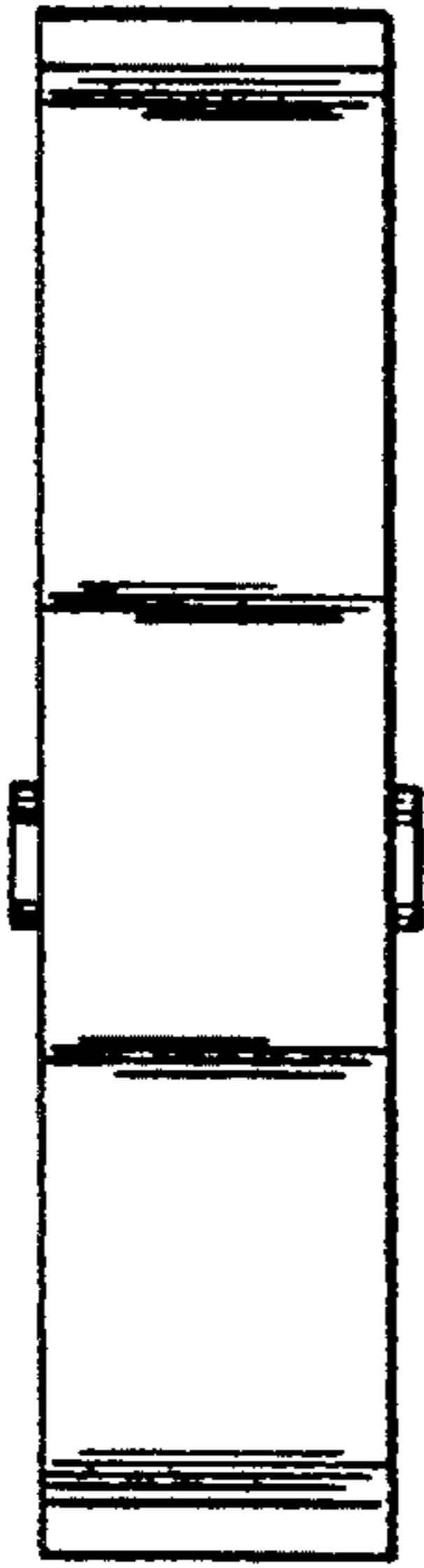


FIG. 5

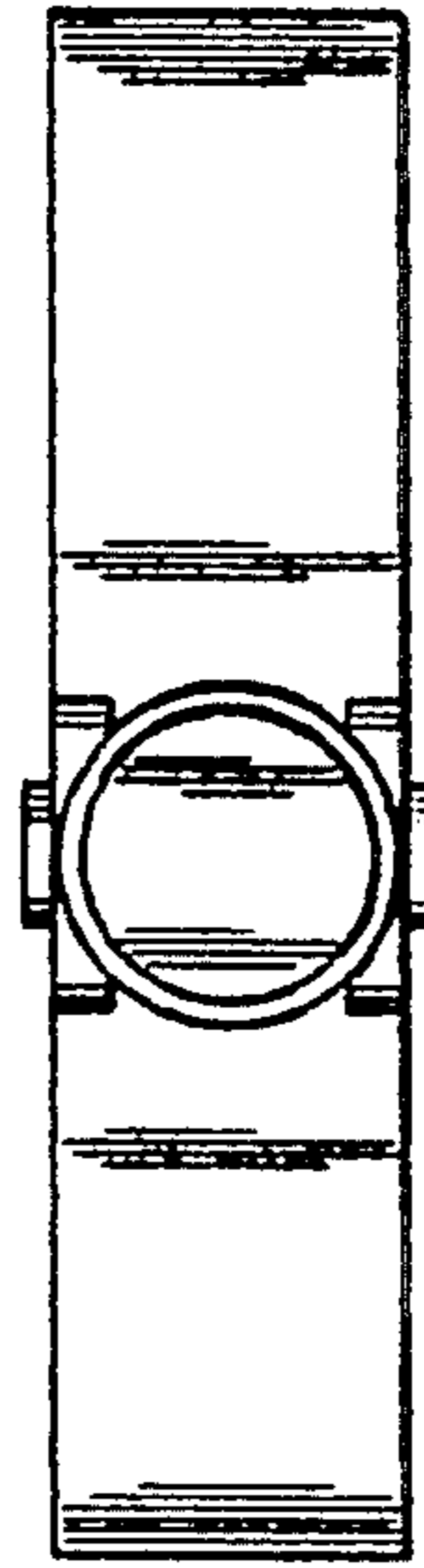


FIG. 6