



US00D352655S

# United States Patent [19]

[11] Patent Number: **Des. 352,655**

Anderson et al.

[45] Date of Patent: **\*\* Nov. 22, 1994**

[54] TIE FOR MASONRY AND BRICK

4,922,680 5/1990 Kramer et al. .... 52/713

[75] Inventors: **Geoffrey Anderson**, North Fitzroy;  
**Roland Maeder**, Keilor East, both of  
Australia

*Primary Examiner*—B. J. Bullock  
*Attorney, Agent, or Firm*—Watson, Cole, Grindle &  
Watson

[73] Assignee: **Abey Australia Pty. Ltd.**, Victoria,  
Australia

[57] **CLAIM**

The ornamental design for a tie for masonry and brick,  
as shown and described.

[\*\*] Term: **14 Years**

**DESCRIPTION**

[21] Appl. No.: **835,674**

FIG. 1 is a perspective view of a tie for masonry and  
brick showing our new design, the first component on  
the left and the wall being shown in broken lines for  
illustrative purposes only;

[22] Filed: **Feb. 14, 1992**

[52] U.S. Cl. .... **D8/384**

[58] Field of Search ..... D8/384; 52/582, 583,  
52/587, 699, 700, 712, 713, 747, 710, 746

FIG. 2 is an enlarged top perspective view of the first  
component shown separately for ease of illustration, the  
side opposite being a mirror image and the bottom being  
unornamented; and,

[56] **References Cited**

**U.S. PATENT DOCUMENTS**

- 1,646,312 10/1927 Perkins et al. .... D8/384
- 4,622,796 11/1986 Aziz et al. .... 52/747
- 4,756,136 7/1988 Hodges ..... 52/712

FIG. 3 is a top perspective view of the second compo-  
nent shown separately for ease of illustration, the side  
opposite being a mirror image and the bottom being  
unornamented.

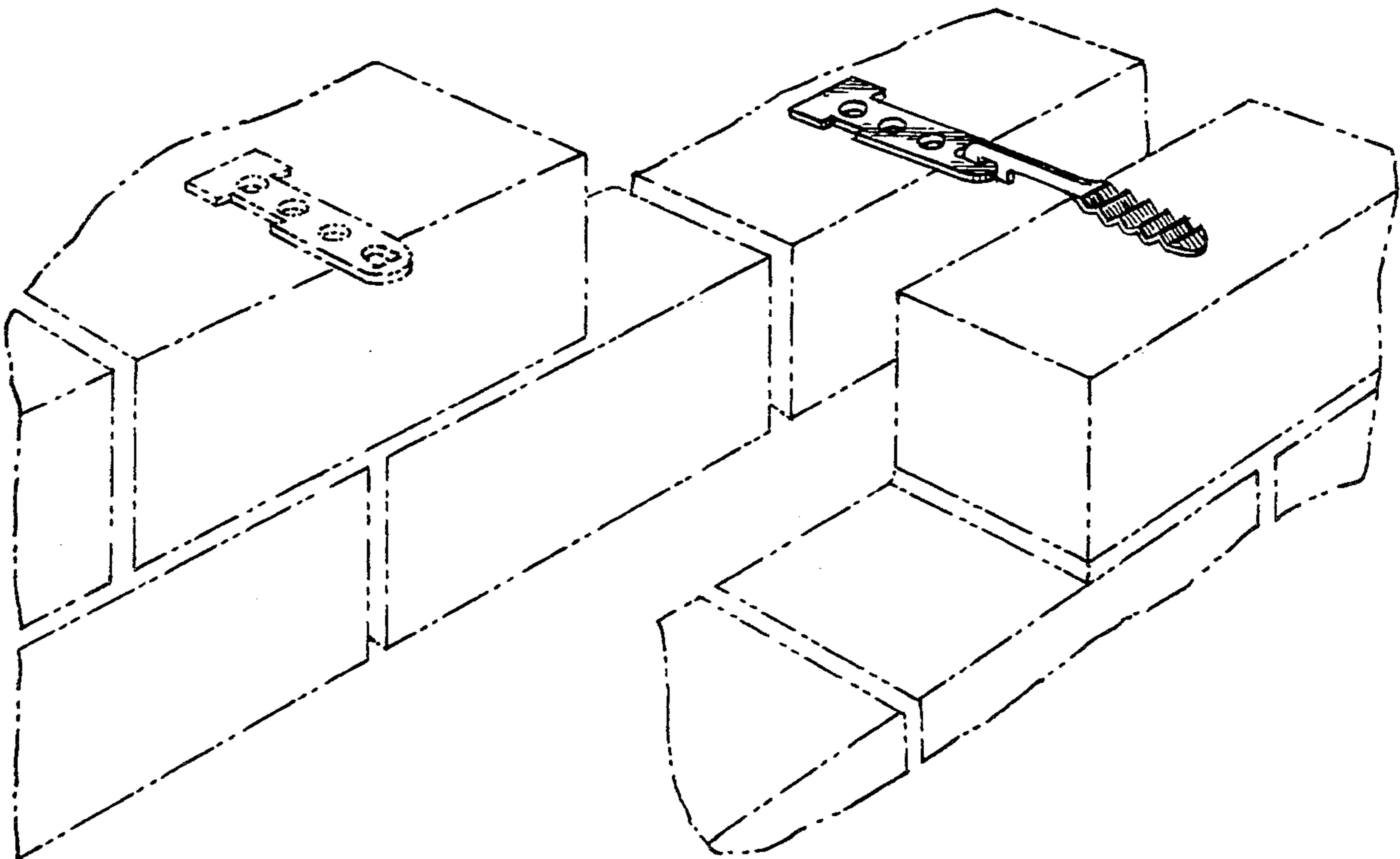


FIG. 1

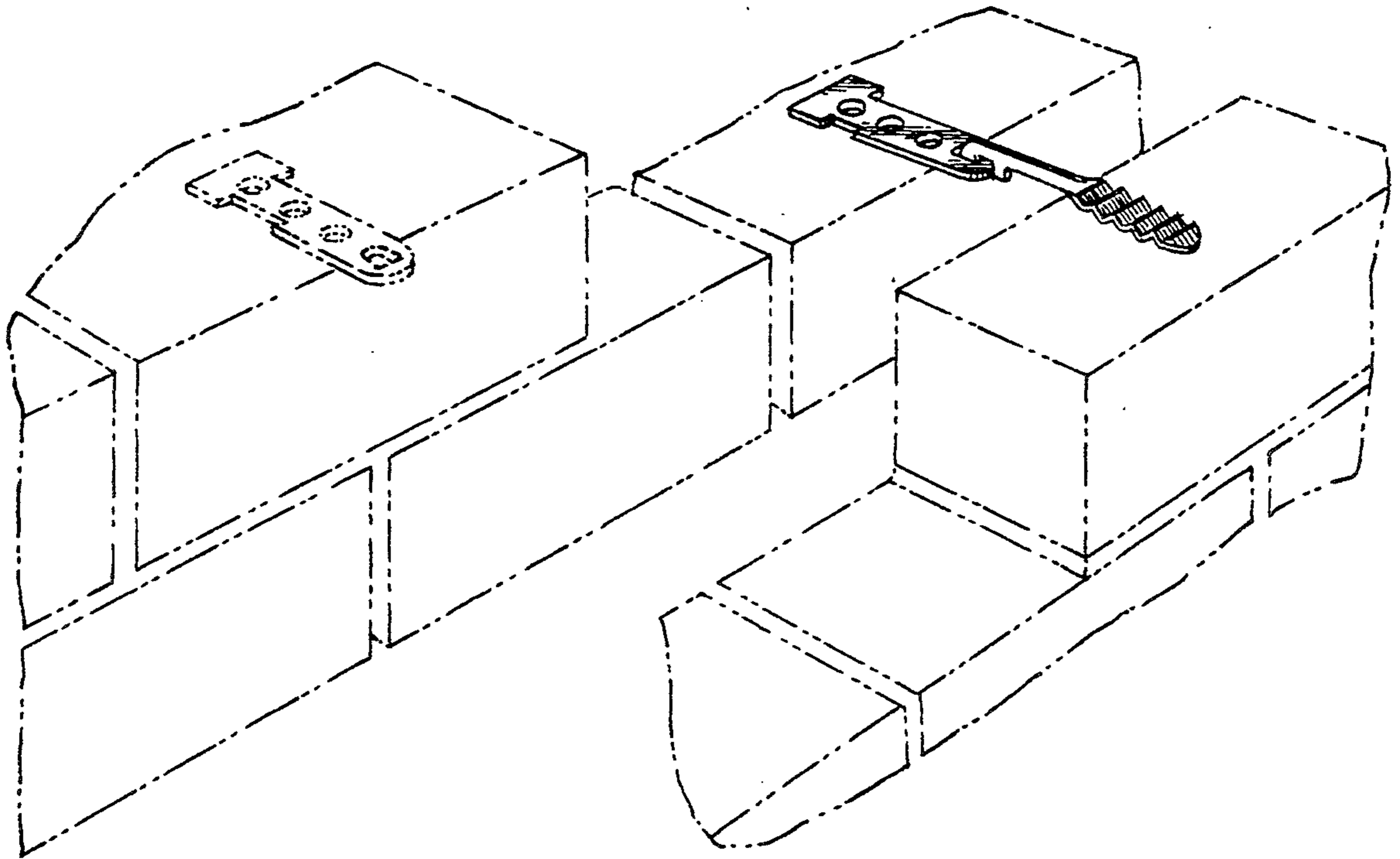


FIG. 2

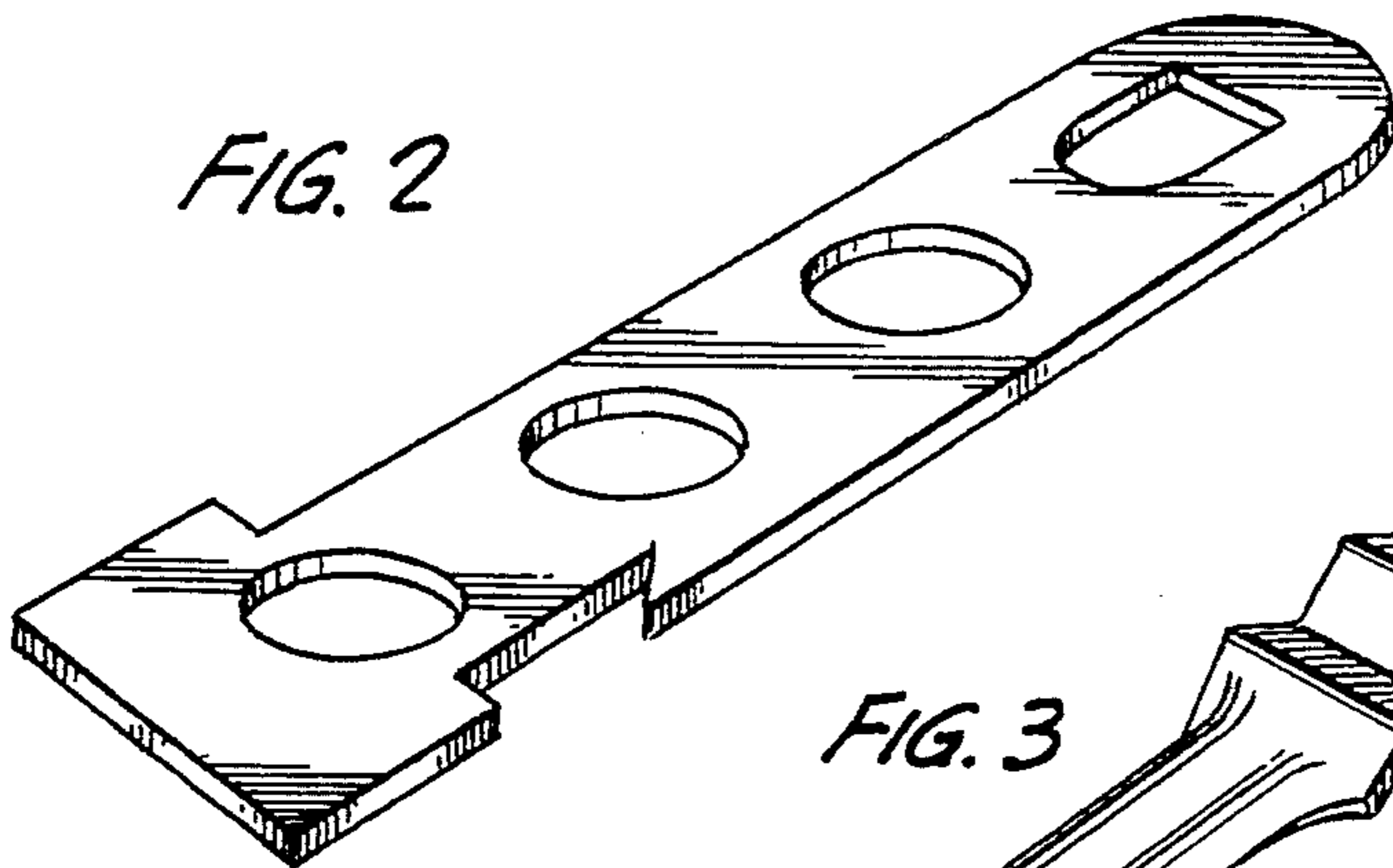


FIG. 3

