



US00D352654S

# United States Patent [19]

[11] Patent Number: **Des. 352,654**

Hansen

[45] Date of Patent: **\*\* Nov. 22, 1994**

[54] TRACK HOLDER FOR VERTICAL BLINDS

5,060,710 10/1991 Haarer ..... 160/178.1 R

[76] Inventor: **Don Hansen**, 1703 E. Heritage Cir.,  
Anaheim, Calif. 92804

*Primary Examiner*—Wallace R. Burke

*Assistant Examiner*—H. Baynham

*Attorney, Agent, or Firm*—James G. O'Neill

[\*\*] Term: **14 Years**

[57] **CLAIM**

[21] Appl. No.: **14,584**

The ornamental design for a track holder for vertical blinds, as shown and described.

[22] Filed: **Oct. 26, 1993**

[52] U.S. Cl. .... **D8/380**

### DESCRIPTION

[58] Field of Search ..... D8/373, 380-381;  
248/484-48.2; 160/178.1 R, 178.1 V; D6/580

FIG. 1 is a perspective view of a track holder for vertical blinds showing my new design, taken from the top looking toward the front right side thereof;

FIG. 2 is a right side elevational view thereof, the left side being a mirror image of that shown;

FIG. 3 is a bottom plan view thereof;

FIG. 4 is a top plan view thereof;

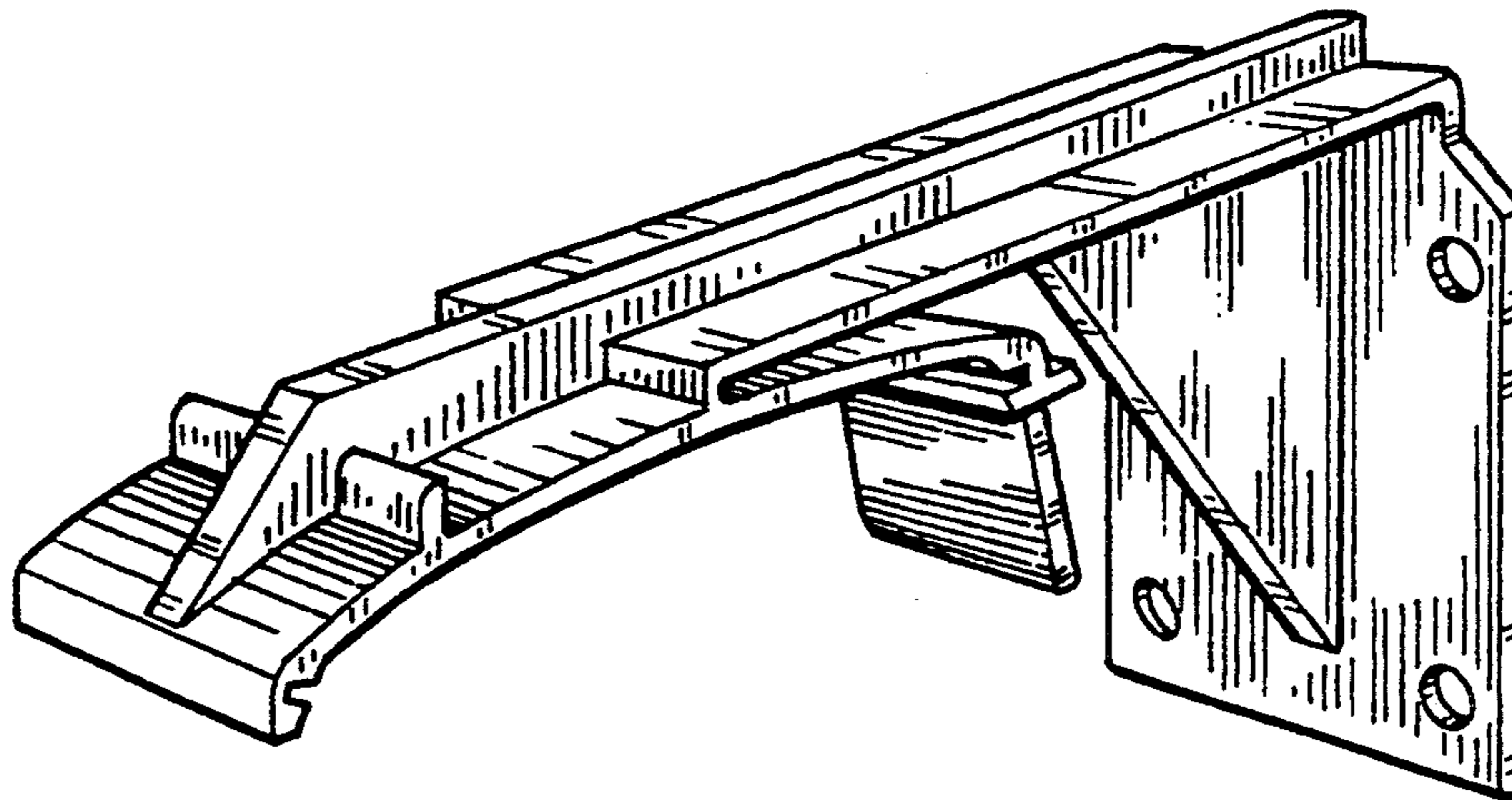
FIG. 5 is a rear elevational view thereof; and,

FIG. 6 is a front elevational view thereof.

### [56] References Cited

#### U.S. PATENT DOCUMENTS

D. 284,832	7/1986	Parker	.....	D8/380
D. 346,735	5/1994	Glisch	.....	D8/367
4,901,954	2/1990	Fairgrieve et al.	.....	248/48.2
5,012,850	5/1991	Schrader	.....	160/178.1 V



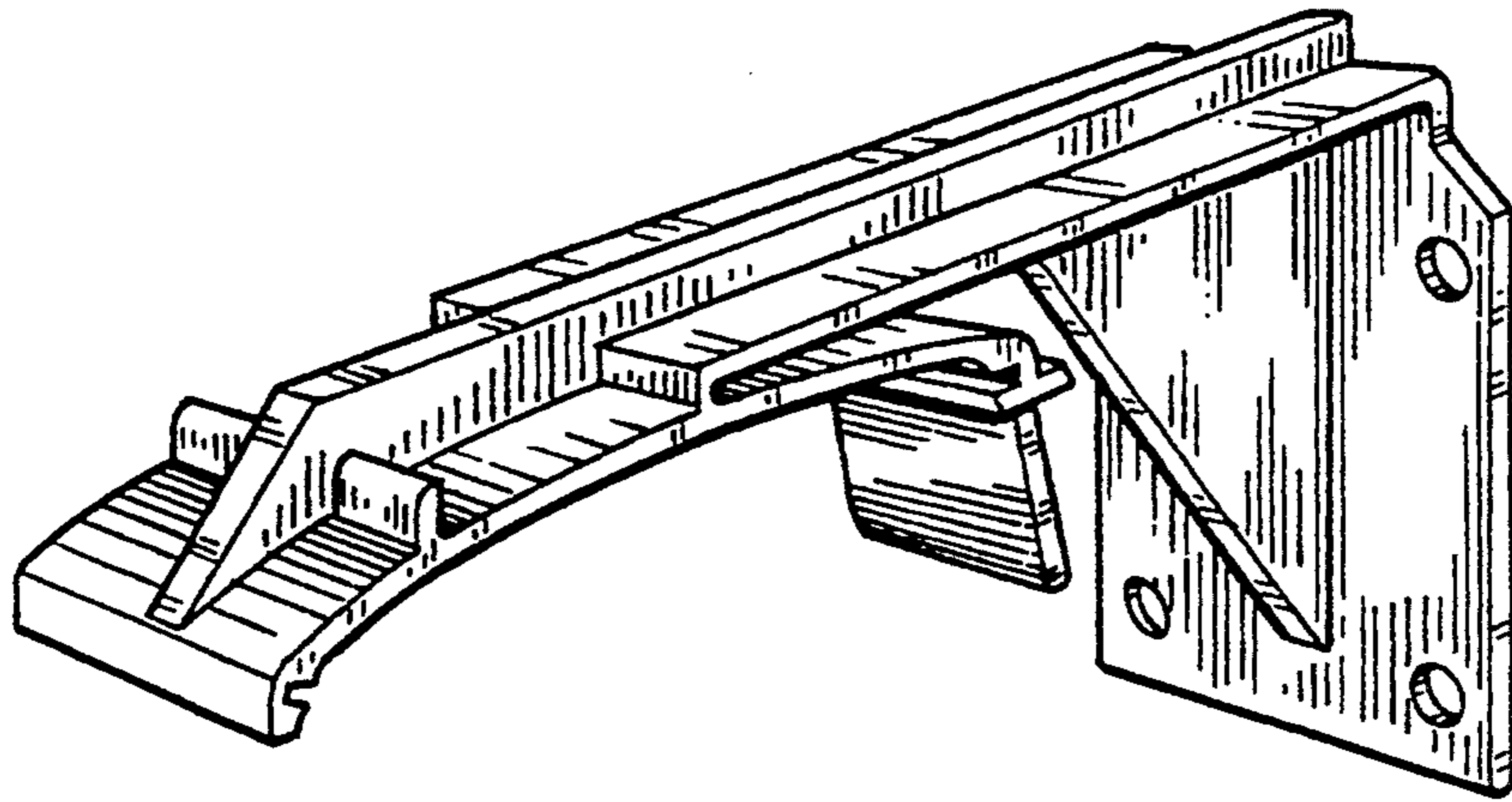


FIG. 1

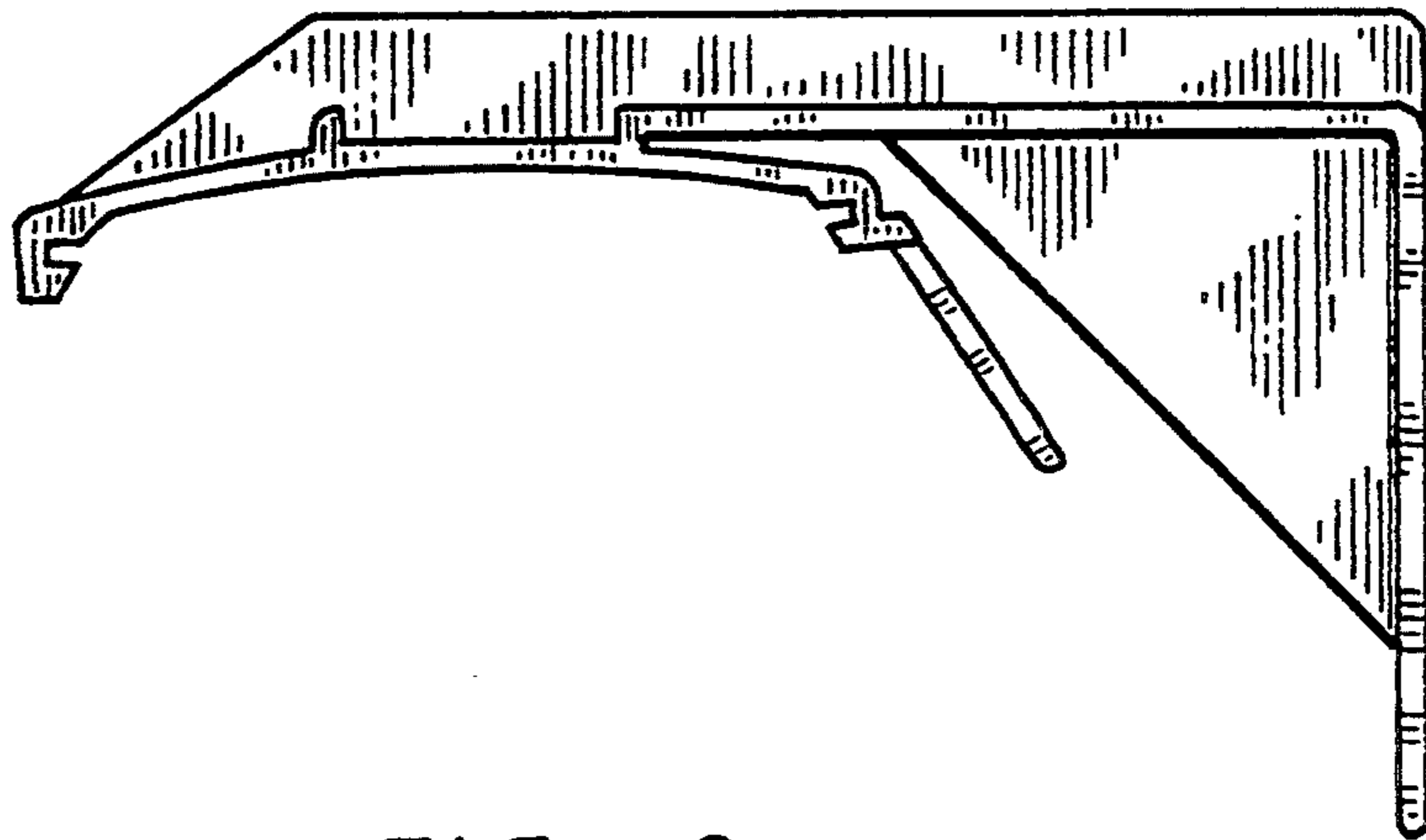


FIG. 2

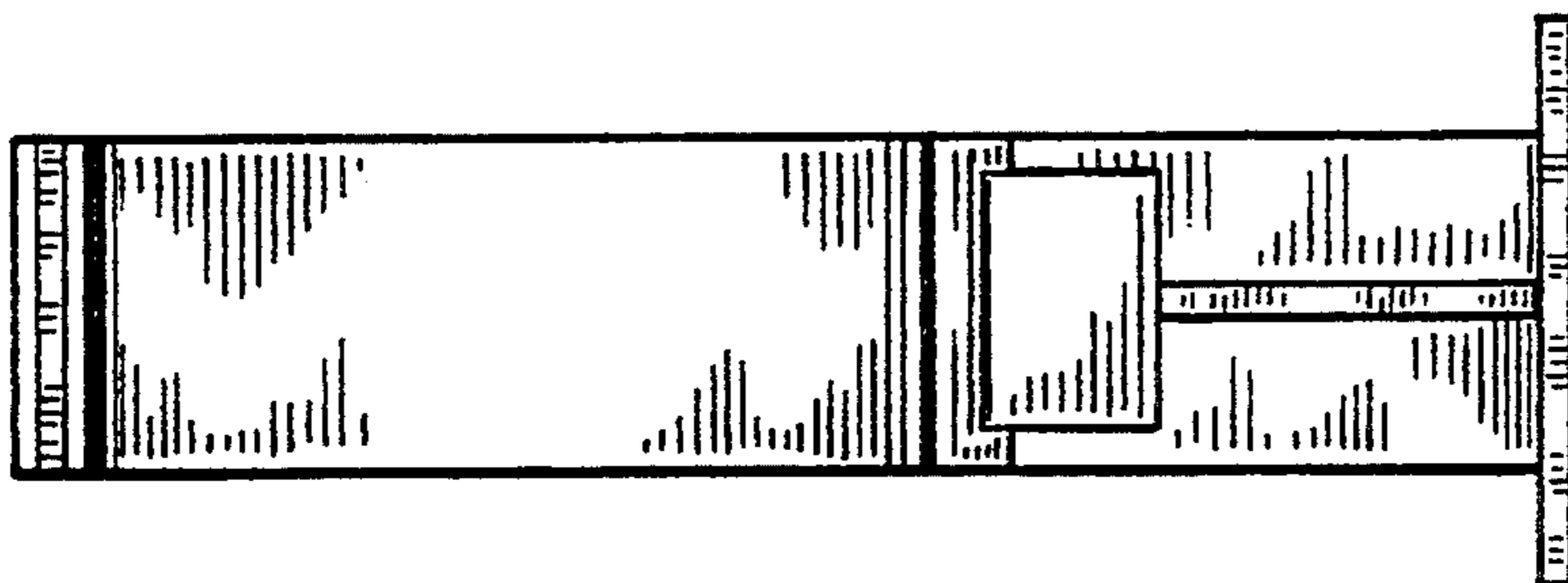


FIG. 3

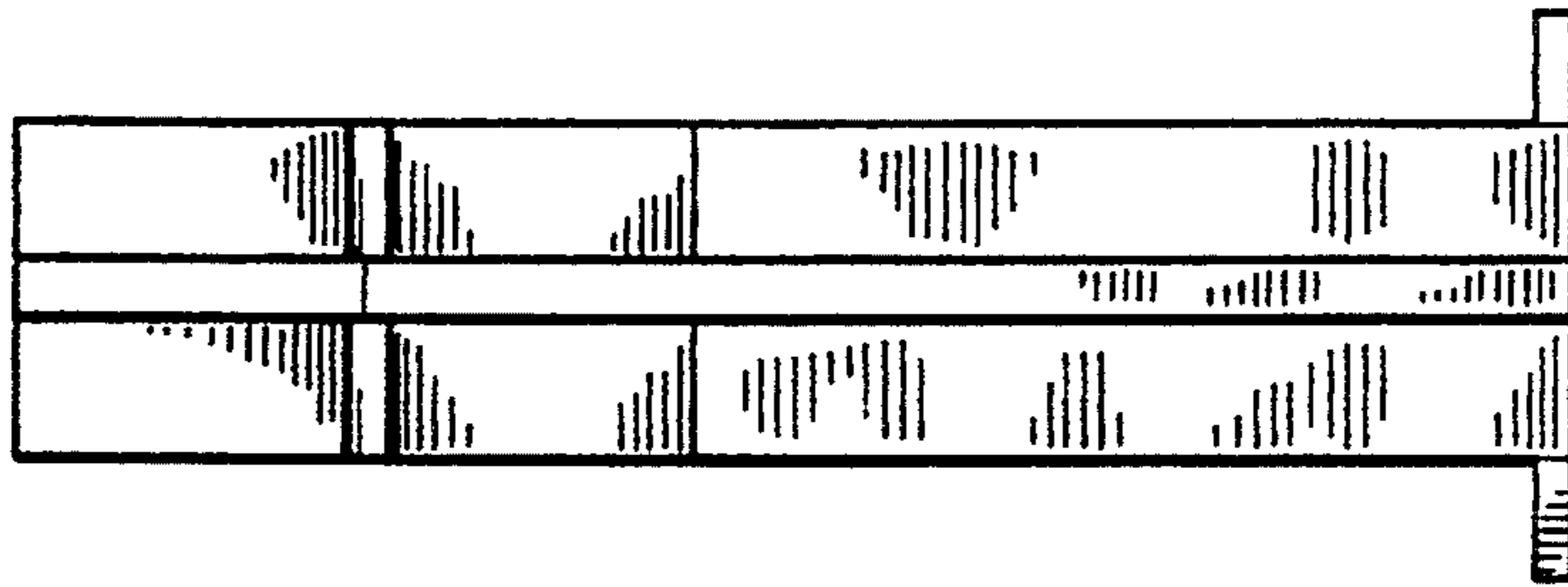


FIG. 4

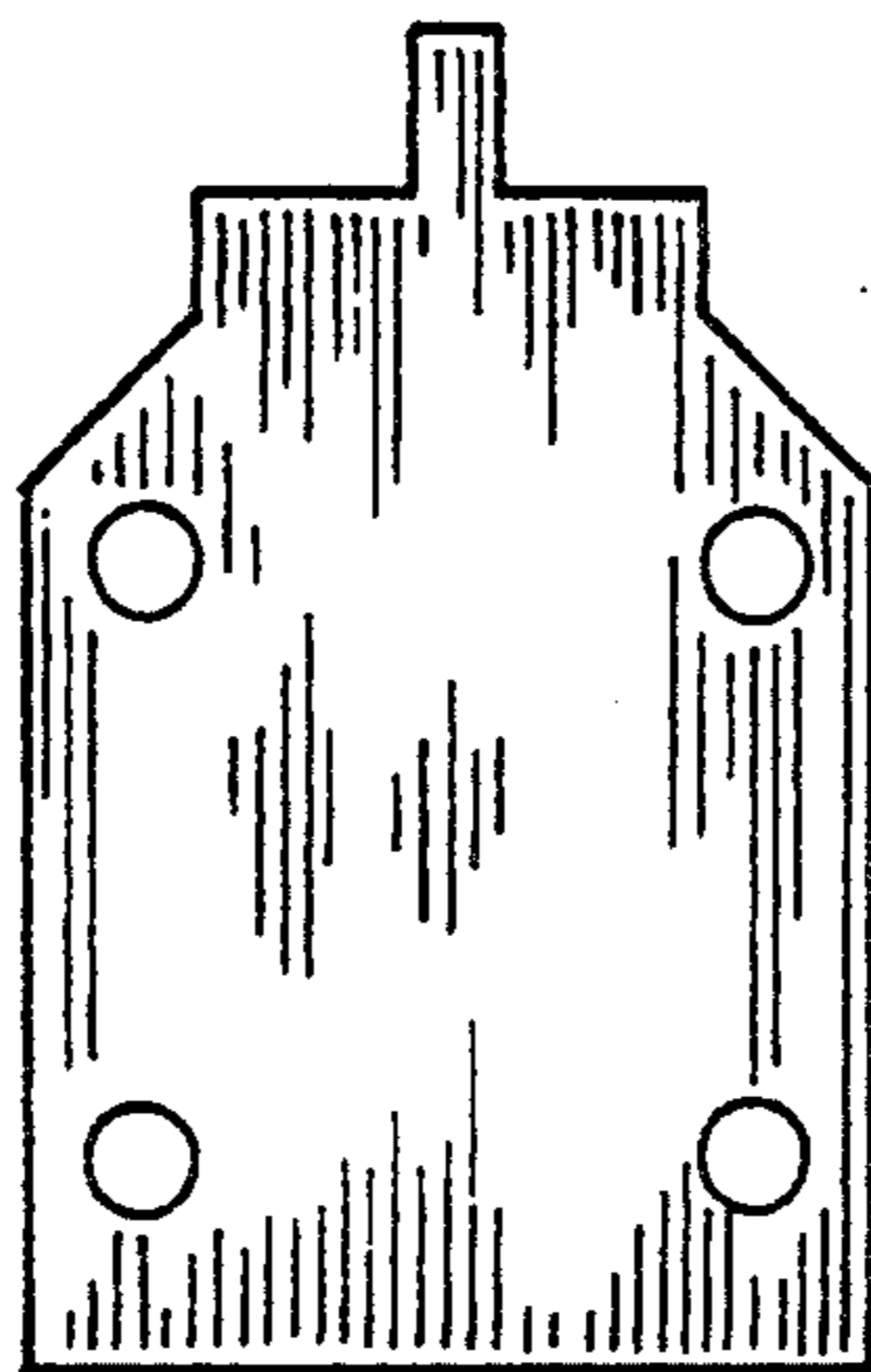


FIG. 5

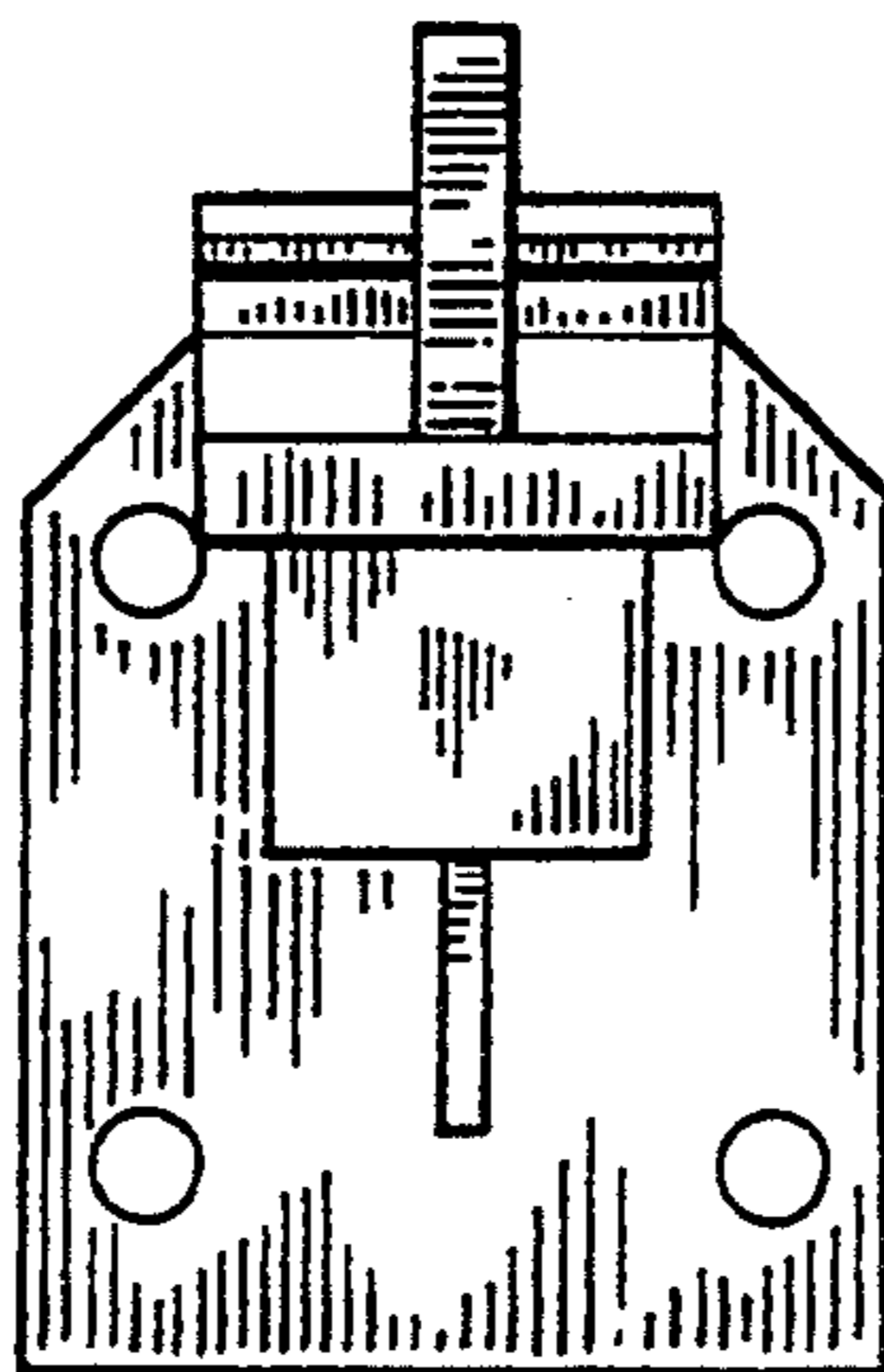


FIG. 6