



US00D352652S

United States Patent [19]

[11] Patent Number: **Des. 352,652**

Vogels

[45] Date of Patent: **** Nov. 22, 1994**

[54] **TV WALL SUPPORT**

[75] Inventor: **Henricus H. Vogels**, Eindhoven, Netherlands

[73] Assignee: **Vogel's Holding B.V.**, Eindhoven, Netherlands

[**] Term: **14 Years**

[21] Appl. No.: **15,604**

[22] Filed: **Nov. 22, 1993**

[30] **Foreign Application Priority Data**

Jul. 7, 1993 [XH] Hague Agreement DMA/002209

[52] U.S. Cl. **D8/363; D6/567**

[58] Field of Search D6/567, 553, 574;
D8/349, 354-355, 363, 380-381; 248/670,
220.2, 235, 241, 274, 284, 281.1, 291, 310;
211/96, 100

[56] **References Cited**

U.S. PATENT DOCUMENTS

D. 320,928 10/1991 Boscacci et al. D6/567 X
D. 337,719 7/1993 Burns D8/363
3,916,627 11/1975 Carlisle et al. 248/310 X
4,659,047 4/1987 Haller 248/310 X

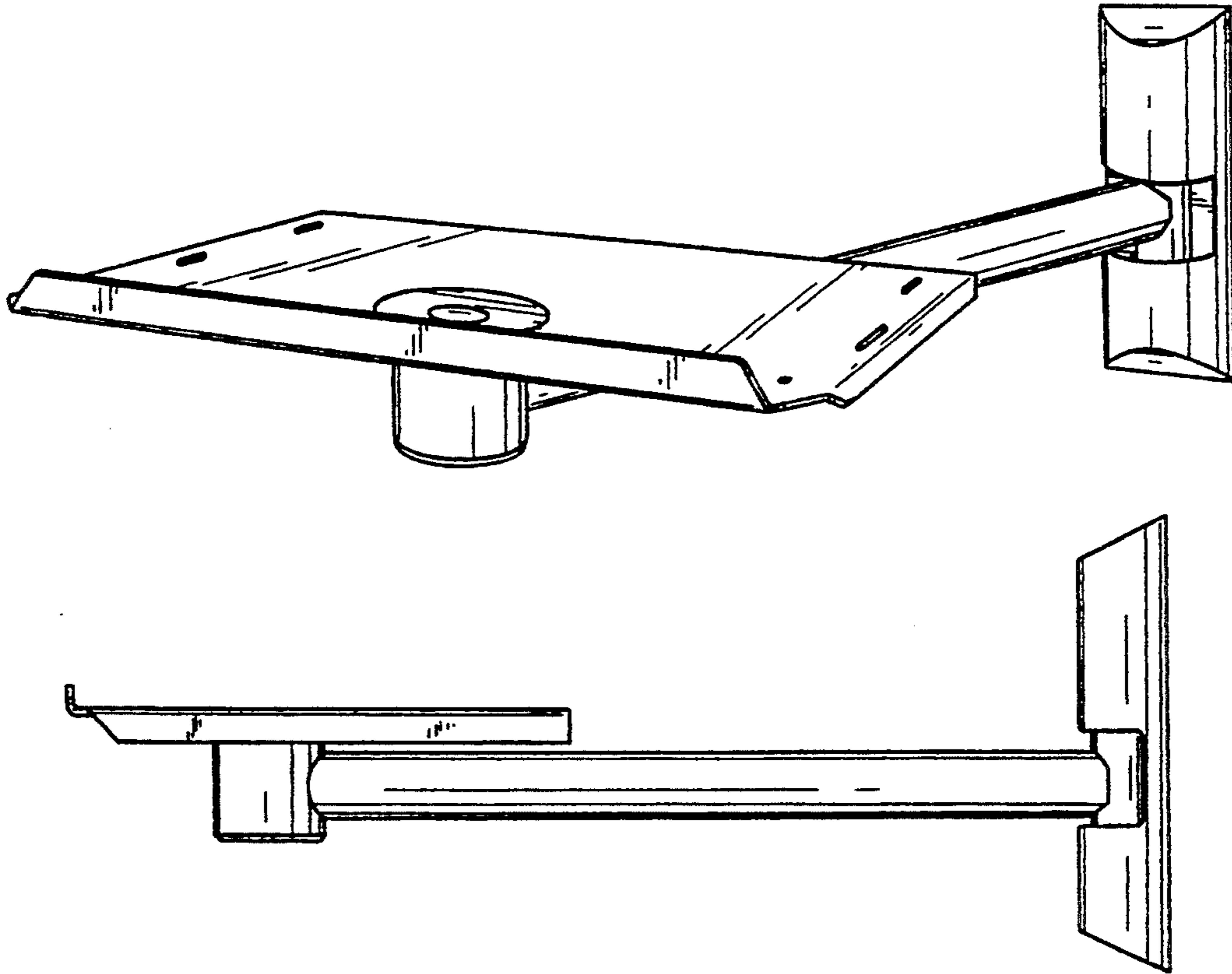
Primary Examiner—Brian N. Vinson
Attorney, Agent, or Firm—Ladas & Parry

[57] **CLAIM**

The ornamental design for a TV wall support, as shown.

DESCRIPTION

FIG. 1 is a front perspective view of my design for a TV wall support;
FIG. 2 is a right side view thereof;
FIG. 3 is a left side view thereof;
FIG. 4 is a bottom plan view thereof;
FIG. 5 is a top plan view thereof;
FIG. 6 is a front view thereof; and,
FIG. 7 is a rear view thereof.



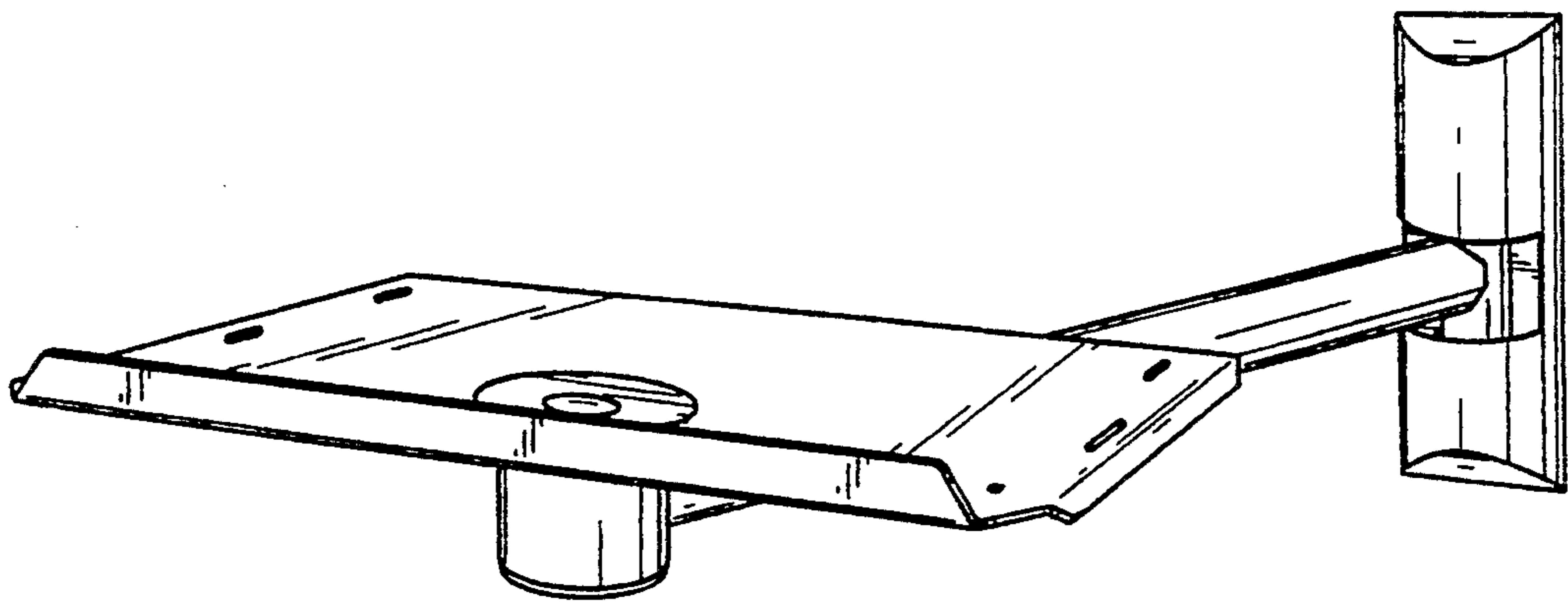


FIG. 1

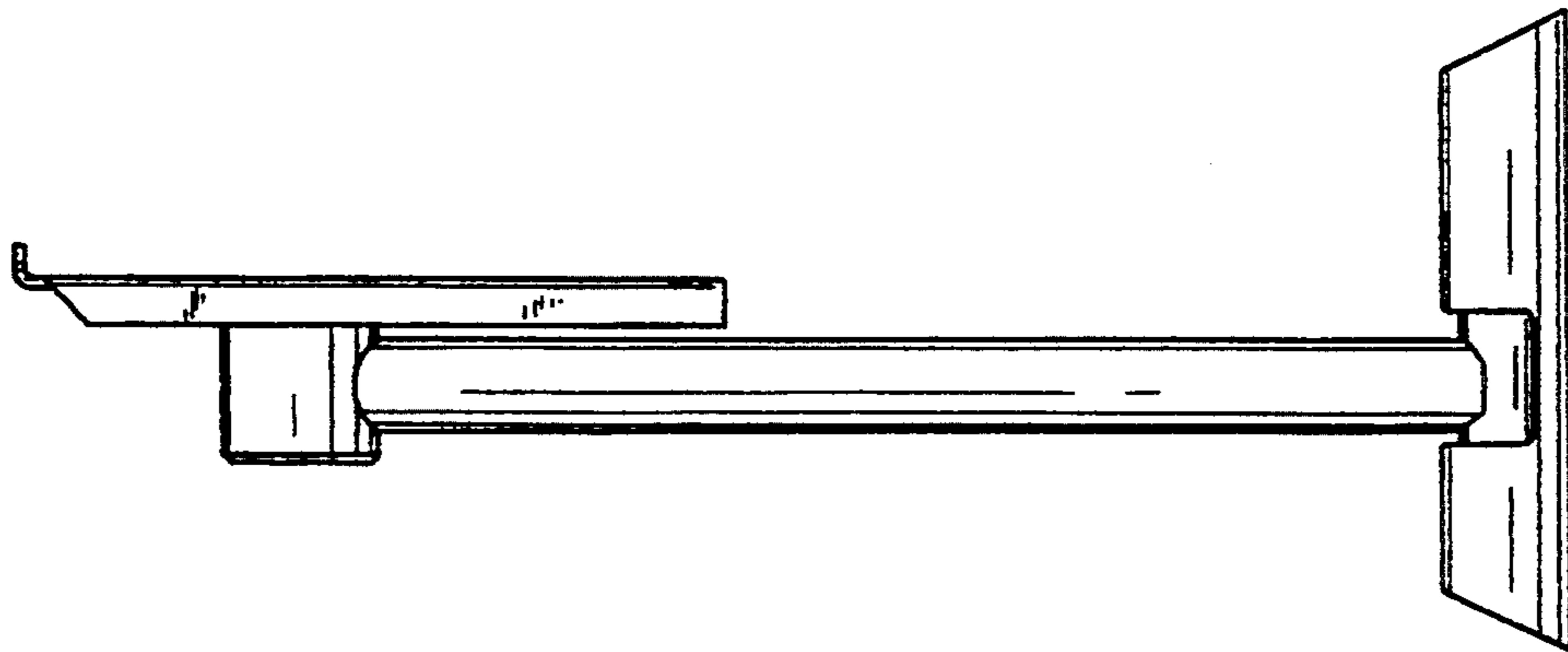


FIG. 2

FIG. 3

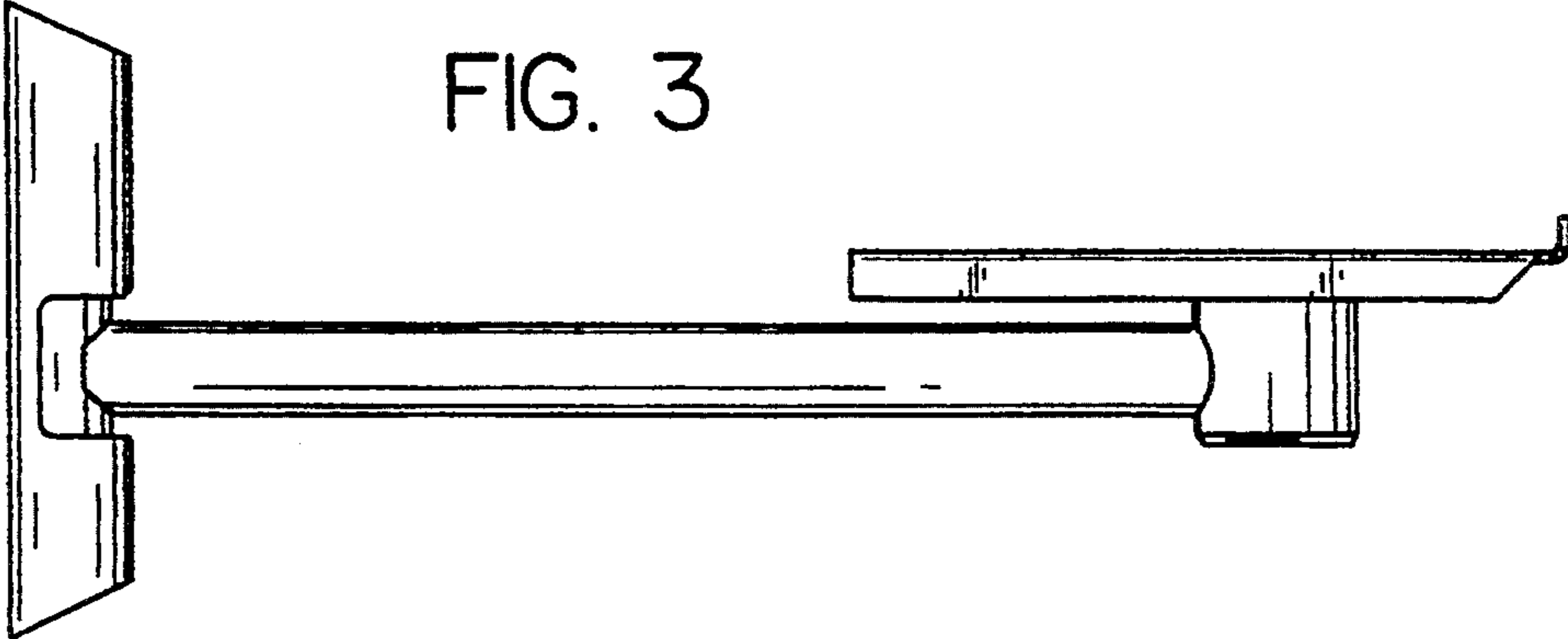
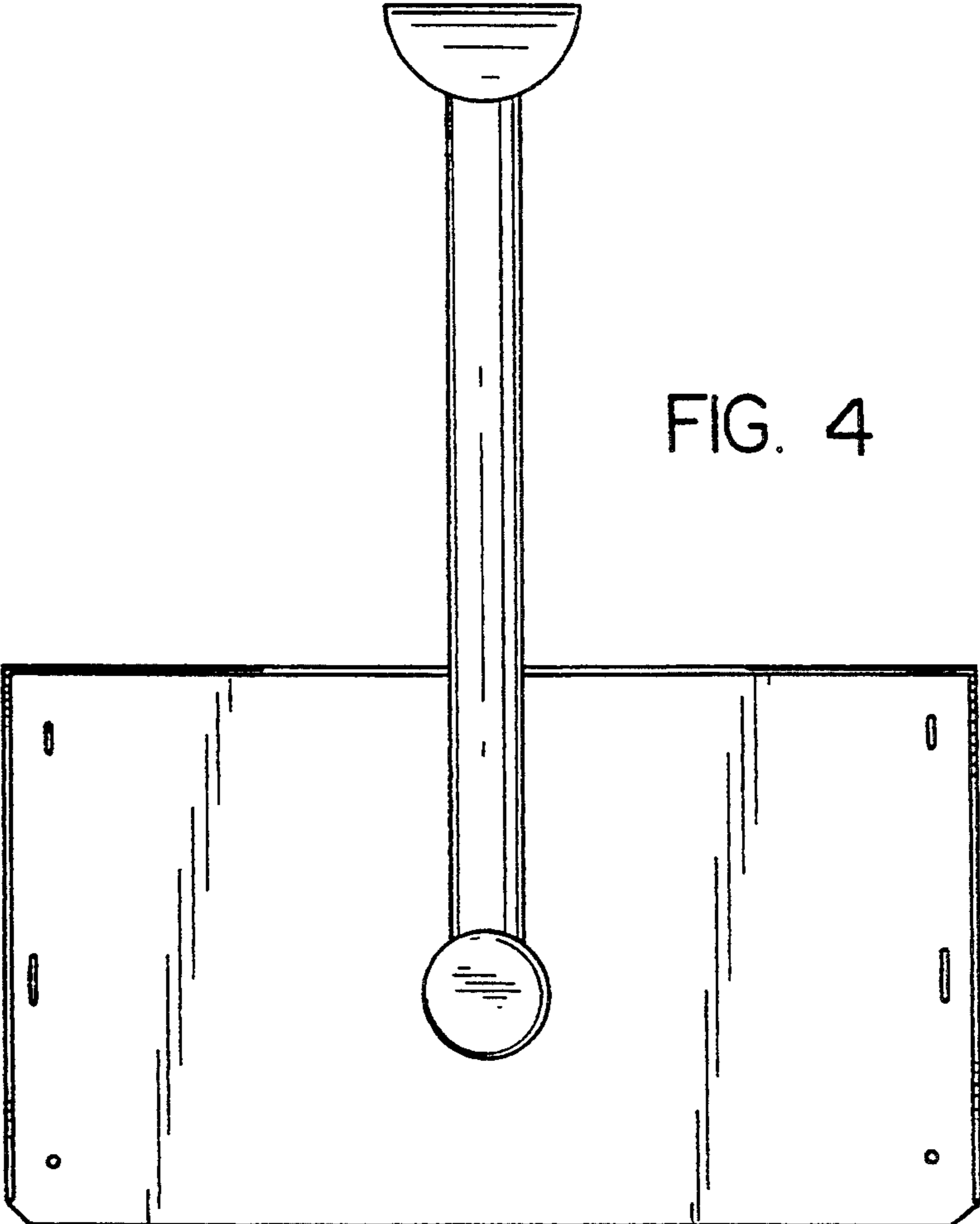


FIG. 4



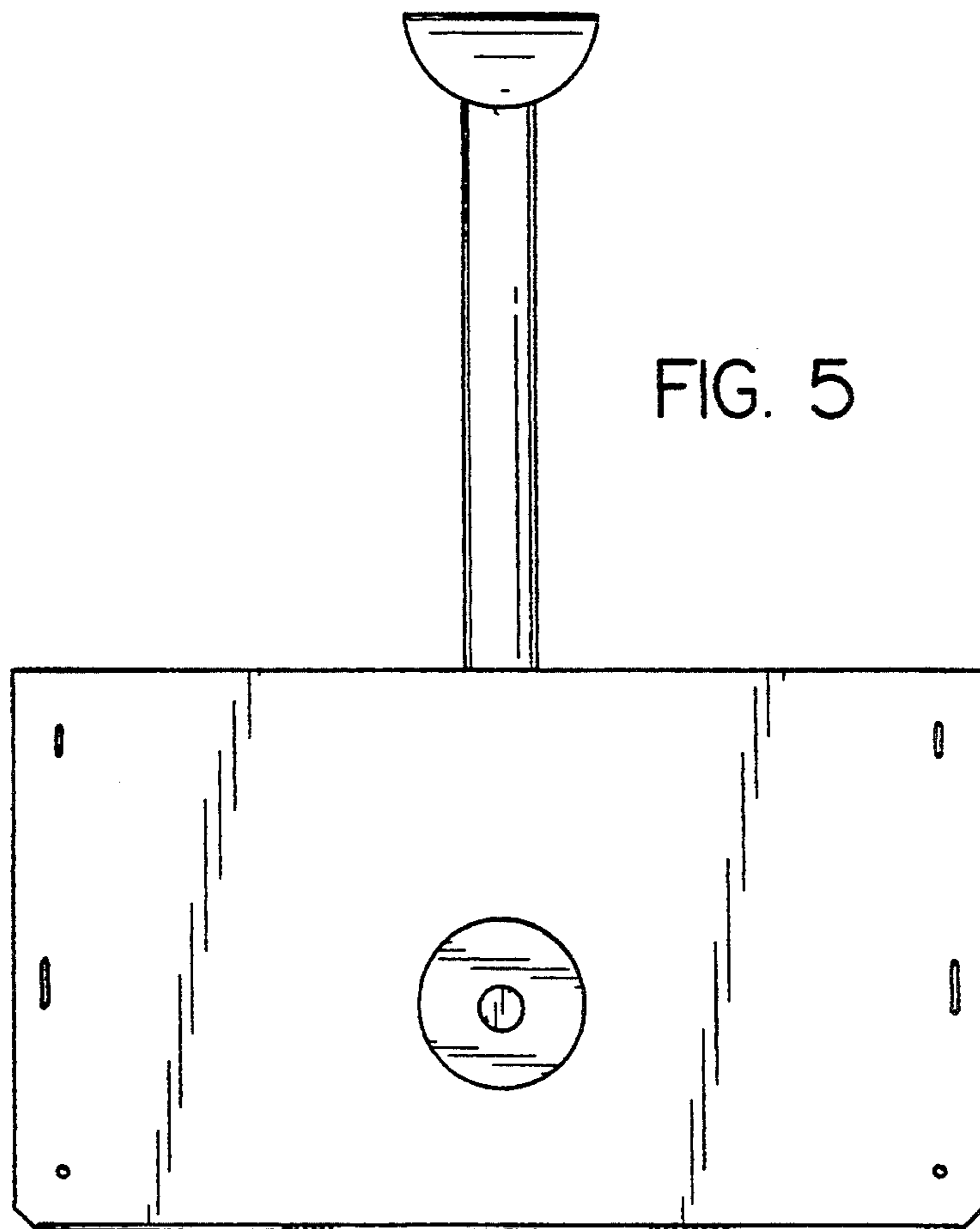


FIG. 5

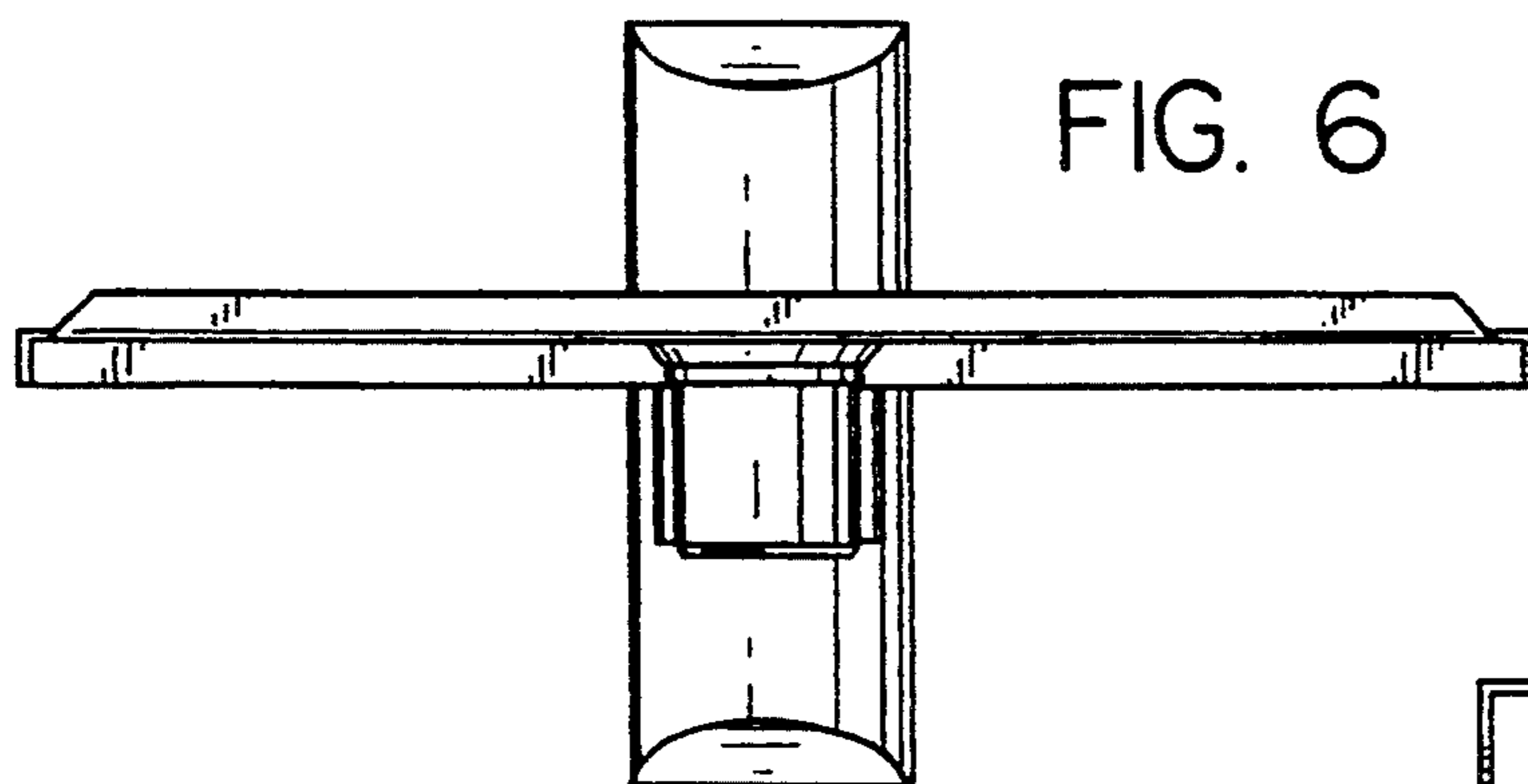


FIG. 6

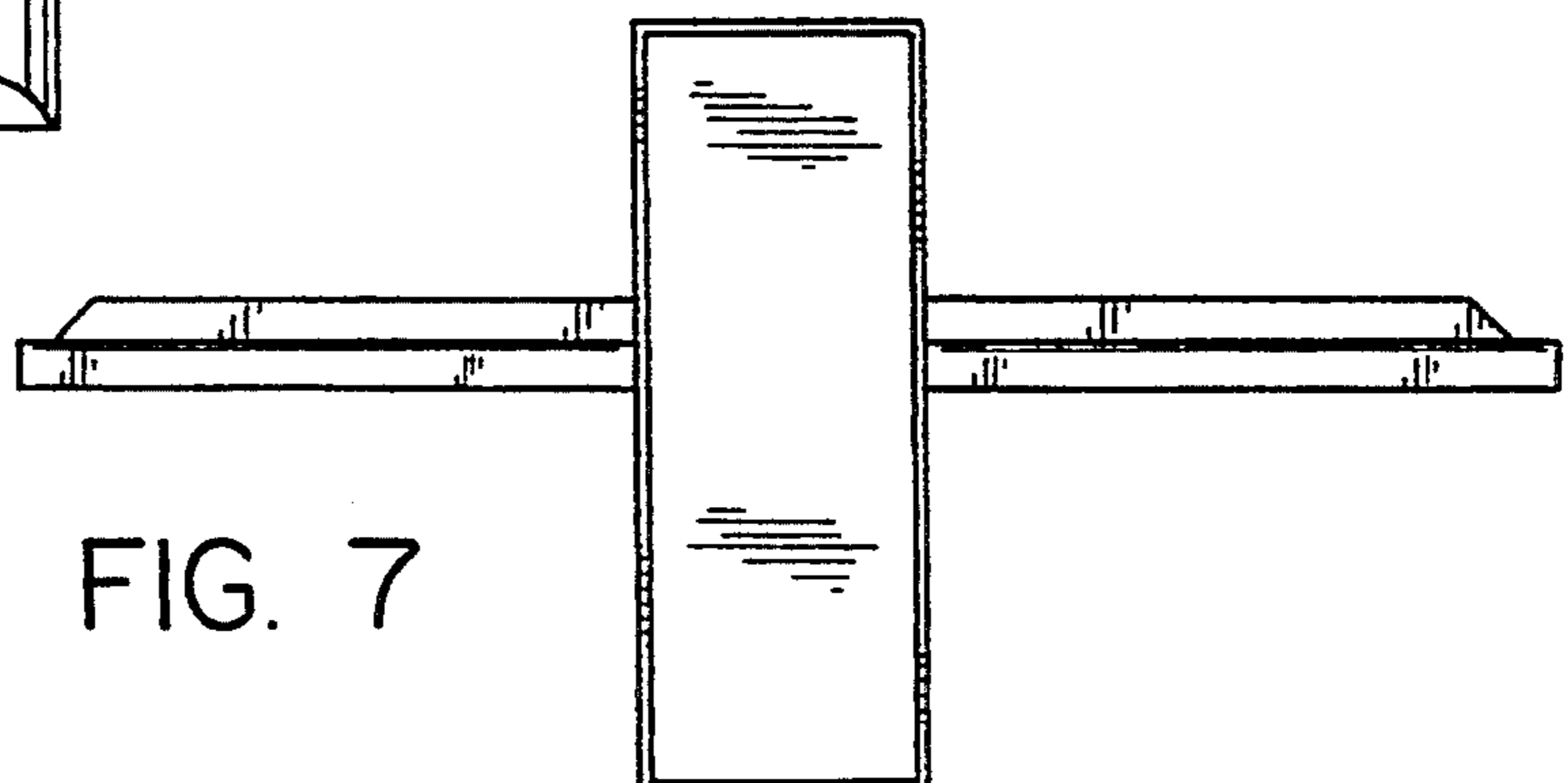


FIG. 7

UNITED STATES PATENT AND TRADEMARK OFFICE
CERTIFICATE OF CORRECTION

PATENT NO. : Des. 352,652
DATED : Nov. 22, 1994
INVENTOR(S) : Henricus H. Vogels

It is certified that error appears in the above-identified patent and that said Letters Patent is hereby corrected as shown below:

On the title page: Item [21], please change "Appl. No.: 15,604"
to — Appl. No. 15,564 —.

Signed and Sealed this
Seventh Day of March, 1995

Attest:



BRUCE LEHMAN

Attesting Officer

Commissioner of Patents and Trademarks