



US00D352651S

# United States Patent [19]

[11] Patent Number: **Des. 352,651**

Anderson et al.

[45] Date of Patent: **\*\* Nov. 22, 1994**

- [54] **BRICK TIE**
- [75] Inventors: **Geoffrey Anderson**, North Fitzroy;  
**Roland Maeder**, Keilor East, both of  
Australia
- [73] Assignee: **Abey Australia Pty. Ltd.**, Victoria,  
Australia
- [\*\*] Term: **14 Years**
- [21] Appl. No.: **835,673**
- [22] Filed: **Feb. 14, 1992**
- [52] U.S. Cl. .... **D8/384**
- [58] Field of Search ..... D8/384; 52/582, 583,  
52/587, 699, 700, 710, 712, 713, 746, 747

- 4,596,102 6/1986 Catani ..... 52/710
- 4,738,070 4/1988 Abbott et al. .... 52/710
- 4,955,172 9/1990 Pierson ..... 52/710

*Primary Examiner*—B. J. Bullock  
*Attorney, Agent, or Firm*—Watson, Cole, Grindle &  
 Watson

### [57] CLAIM

The ornamental design for a brick tie, as shown and described.

### DESCRIPTION

FIG. 1 is an exploded front perspective view of a brick tie showing our new design, the rear being unornamented and the portion of a brick wall being shown in broken lines for illustrative purposes only; FIG. 2 is an enlarged top plan view thereof, the bottom being unornamented; and, FIG. 3 is an enlarged left side elevational view thereof, the right side being a mirror image.

### [56] References Cited

#### U.S. PATENT DOCUMENTS

- 4,021,990 5/1977 Schwalberg ..... 52/712

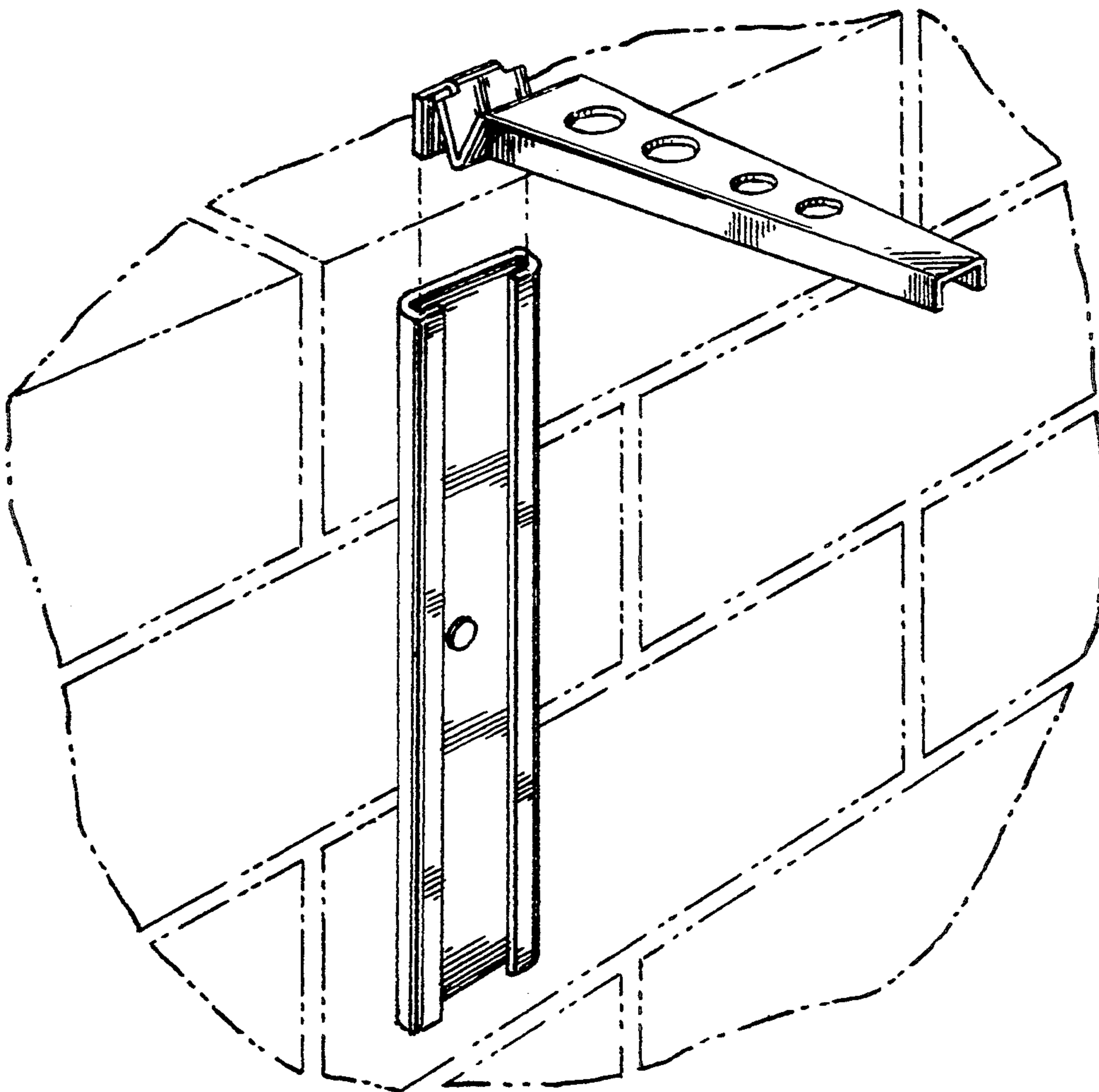


FIG. 1

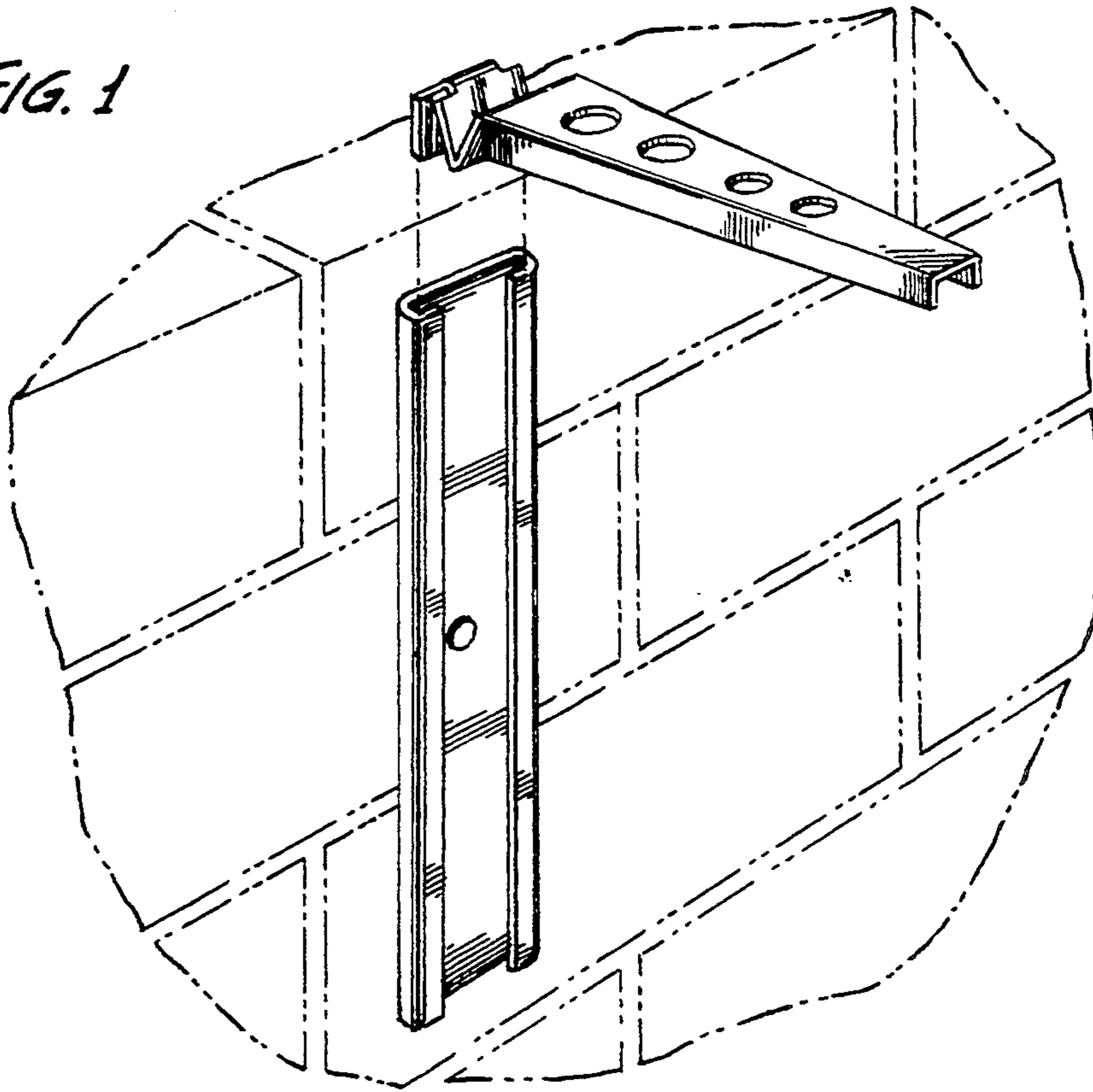


FIG. 2

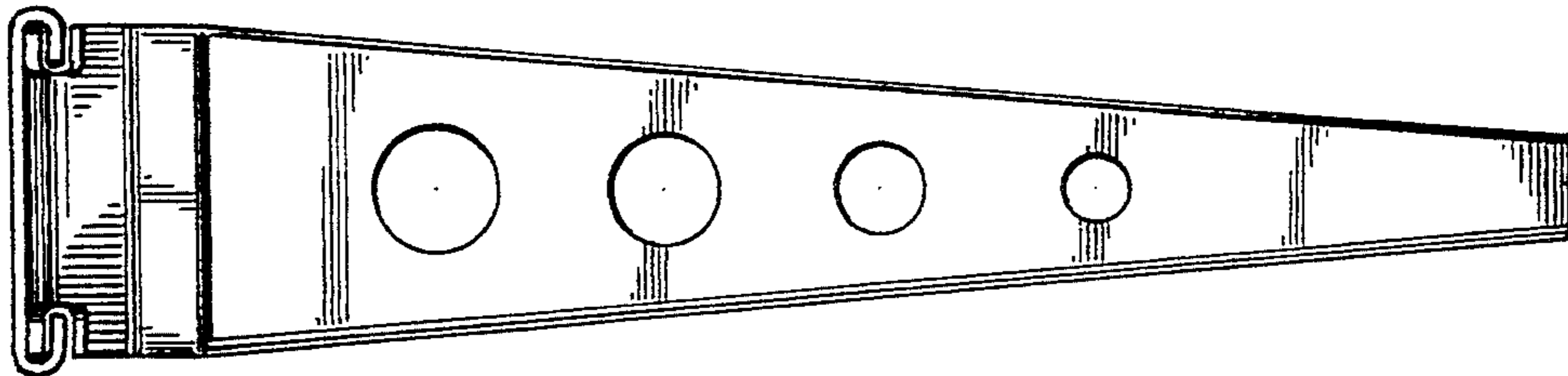


FIG. 3

