



US00D352649S

United States Patent [19]

[11] Patent Number: **Des. 352,649**

Kling

[45] Date of Patent: **** Nov. 22, 1994**

[54] **DOOR BOLT HOUSING ASSEMBLY WITH INTEGRAL AUDIBLE ALARM**

[75] Inventor: **William Kling**, Florence, Ky.

[73] Assignee: **Pease Industries, Inc.**, Fairfield, Ohio

[**] Term: **14 Years**

[21] Appl. No.: **15,018**

[22] Filed: **Nov. 5, 1993**

[52] U.S. Cl. **D8/332**

[58] Field of Search **D8/330-331, D8/332, 343; 70/57, 57.1, 91, 101, 124, 134, DIG. 49**

[56] **References Cited**

U.S. PATENT DOCUMENTS

D. 208,354	8/1967	Gilbert	D8/332
D. 219,641	1/1971	Johnson	D8/332
D. 229,284	11/1973	Suska et al.	D8/332
D. 231,821	6/1974	Maged	D8/332
4,084,417	4/1978	Daniel	D8/331 X

Primary Examiner—Brian N. Vinson
Attorney, Agent, or Firm—Wood, Herron & Evans

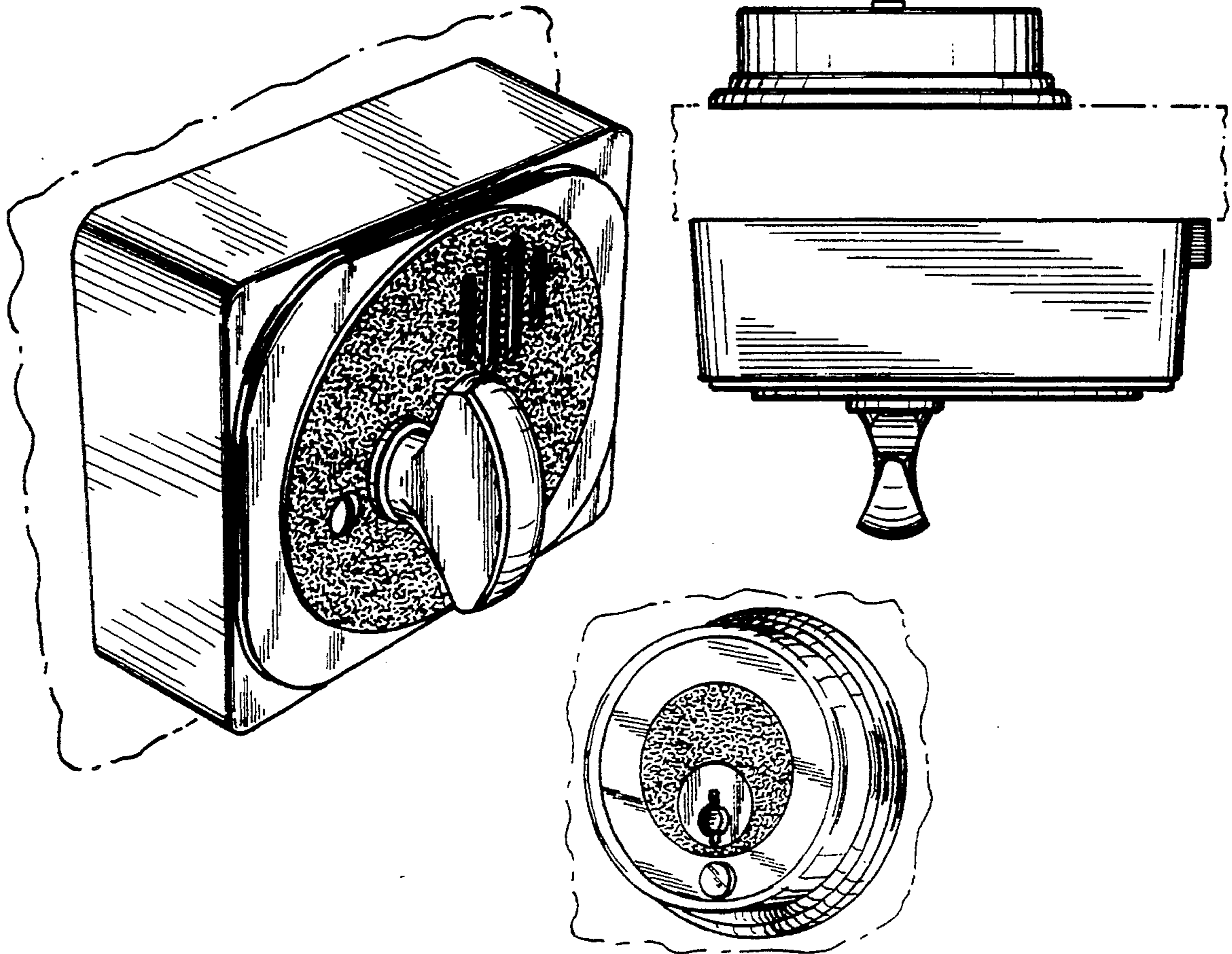
[57] **CLAIM**

The ornamental design for a door bolt housing assembly integral audible alarm, as shown and dscribed.

DESCRIPTION

FIG. 1 is a top, rear, and right side perspective view showing the interior component of a door bolt housing assembly with integral audible alarm of my new design; FIG. 2 is a rear elevational view showing the interior component thereof; FIG. 3 is a front elevational view showing the exterior component thereof; FIG. 4 is a right side elevational view thereof; FIG. 5 is a left side elevational view thereof; FIG. 6 is a top plan view thereof; FIG. 7 is a bottom plan view thereof; and, FIG. 8 is a front and right side perspective view showing the exterior component thereof.

The fragmentary broken-line disclosure of a door in the views is for illustrative purposes only and forms no part of the claimed design.



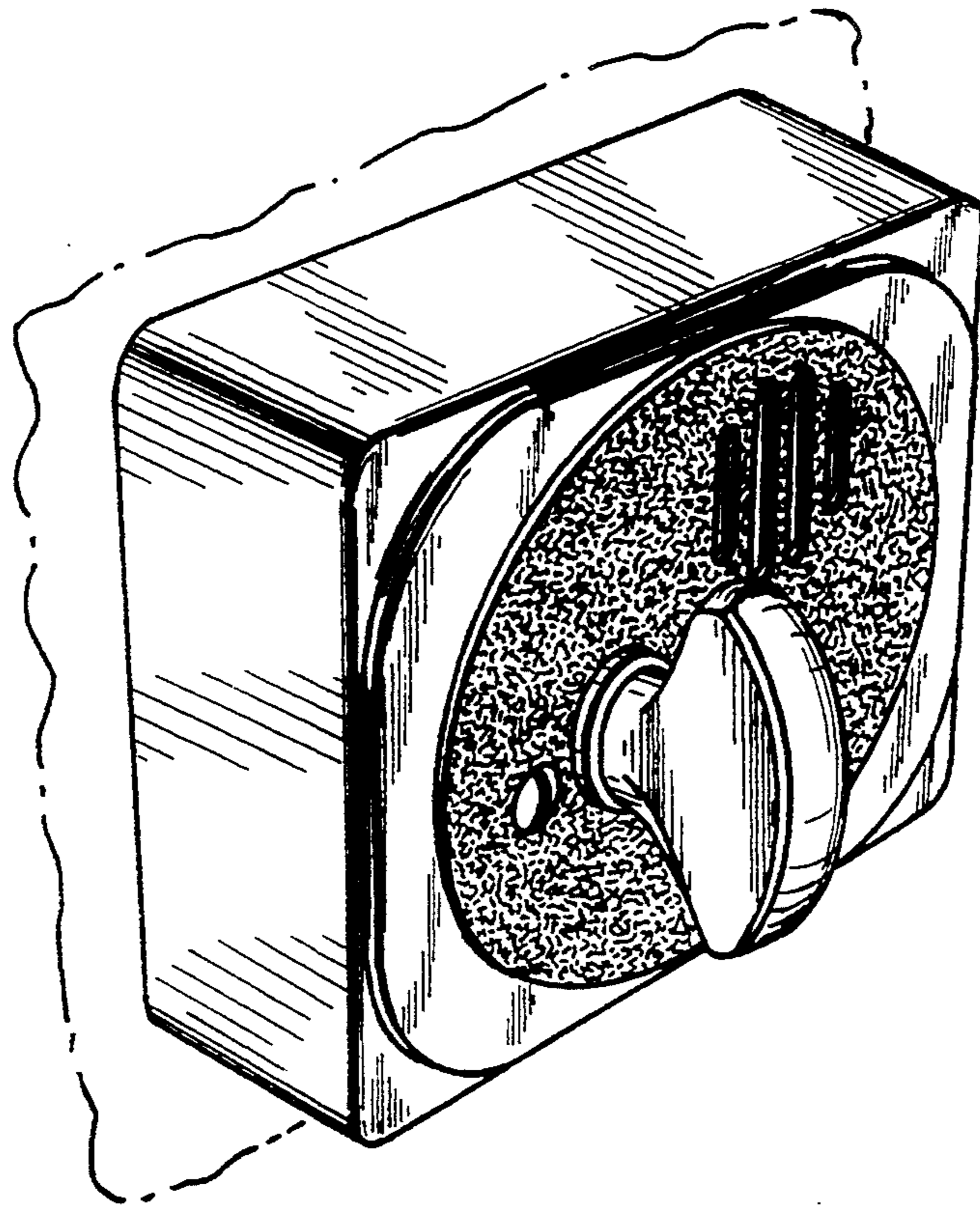


FIG. 1

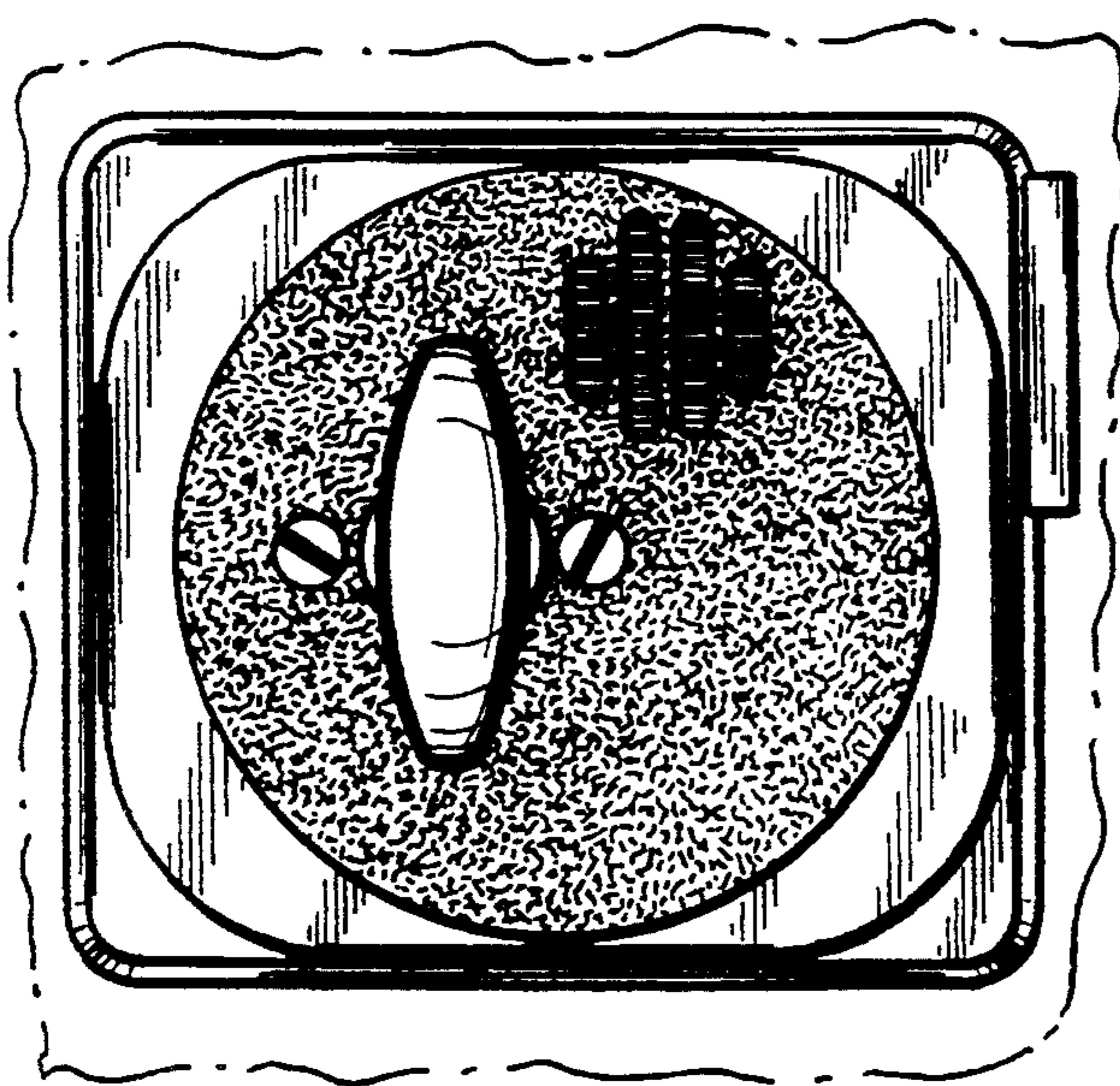


FIG. 2

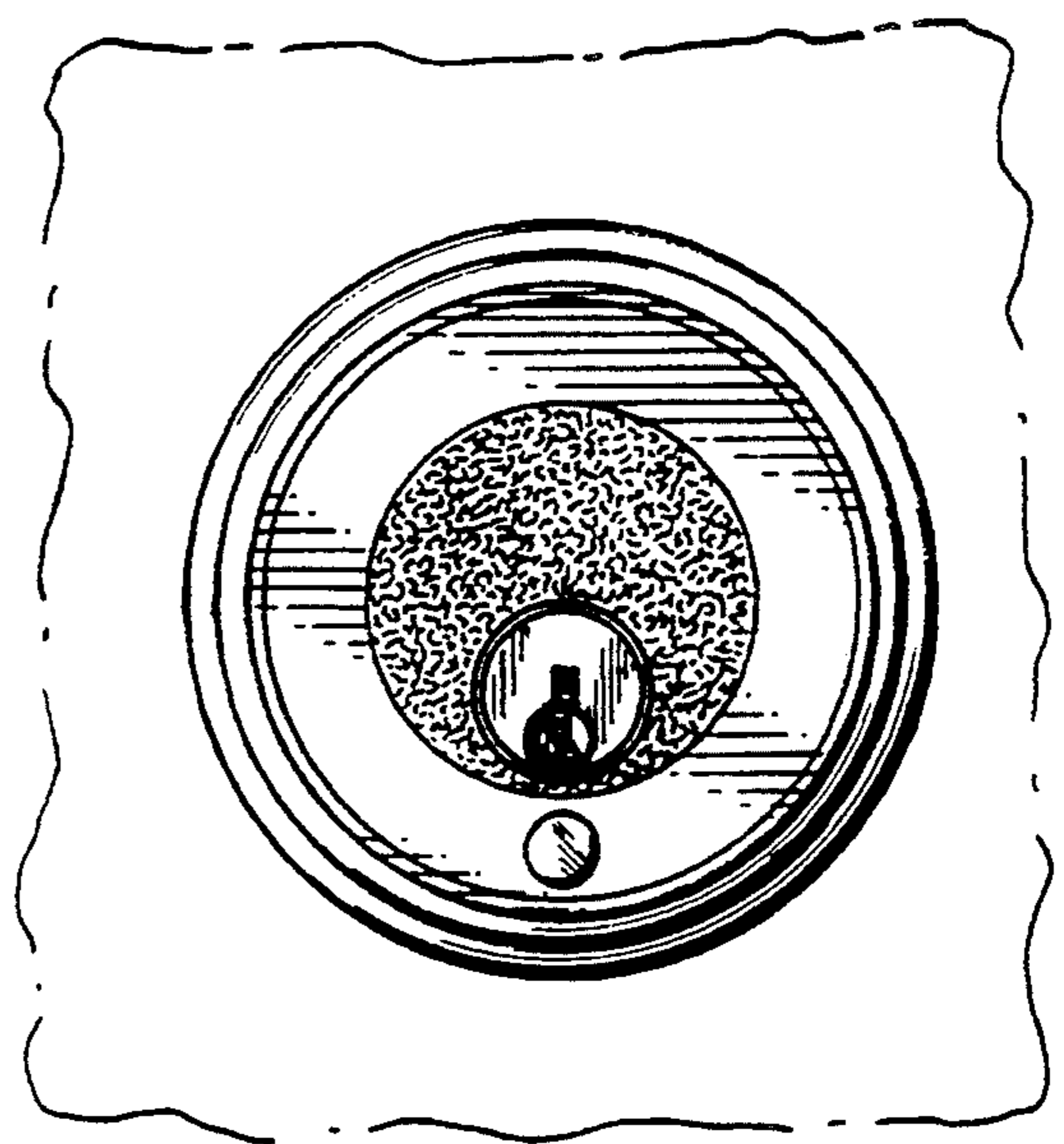


FIG. 3

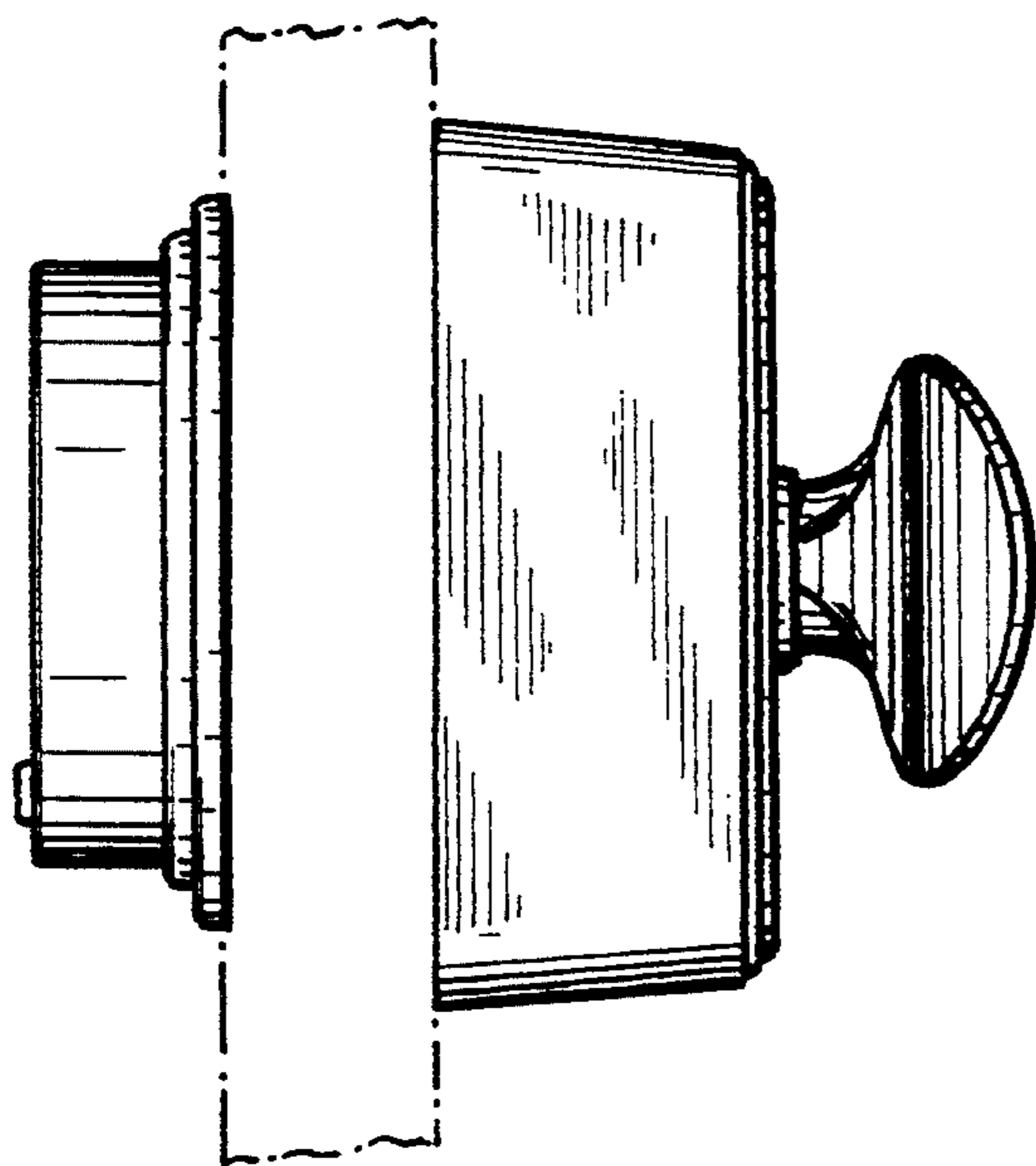


FIG. 4

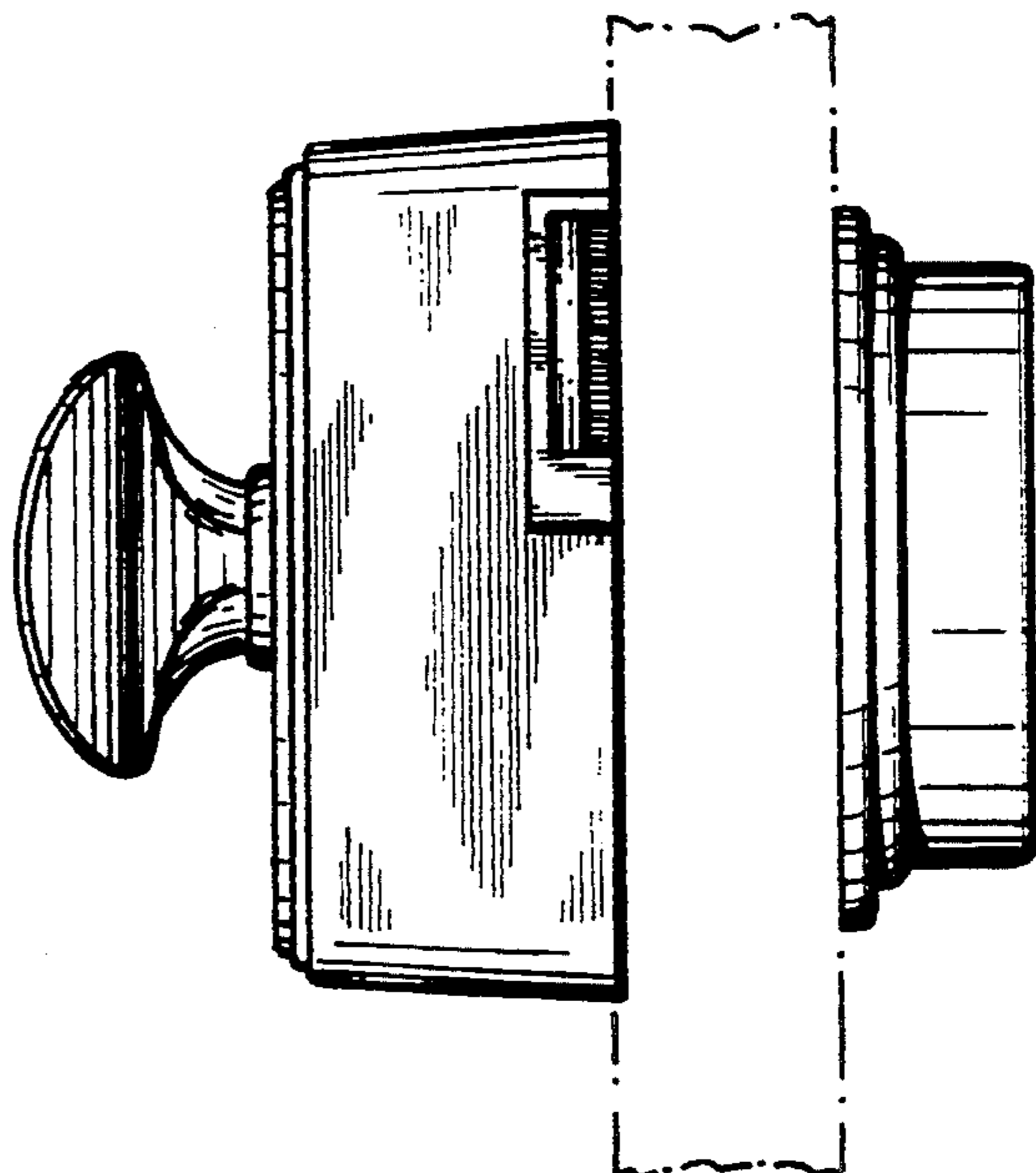


FIG. 5

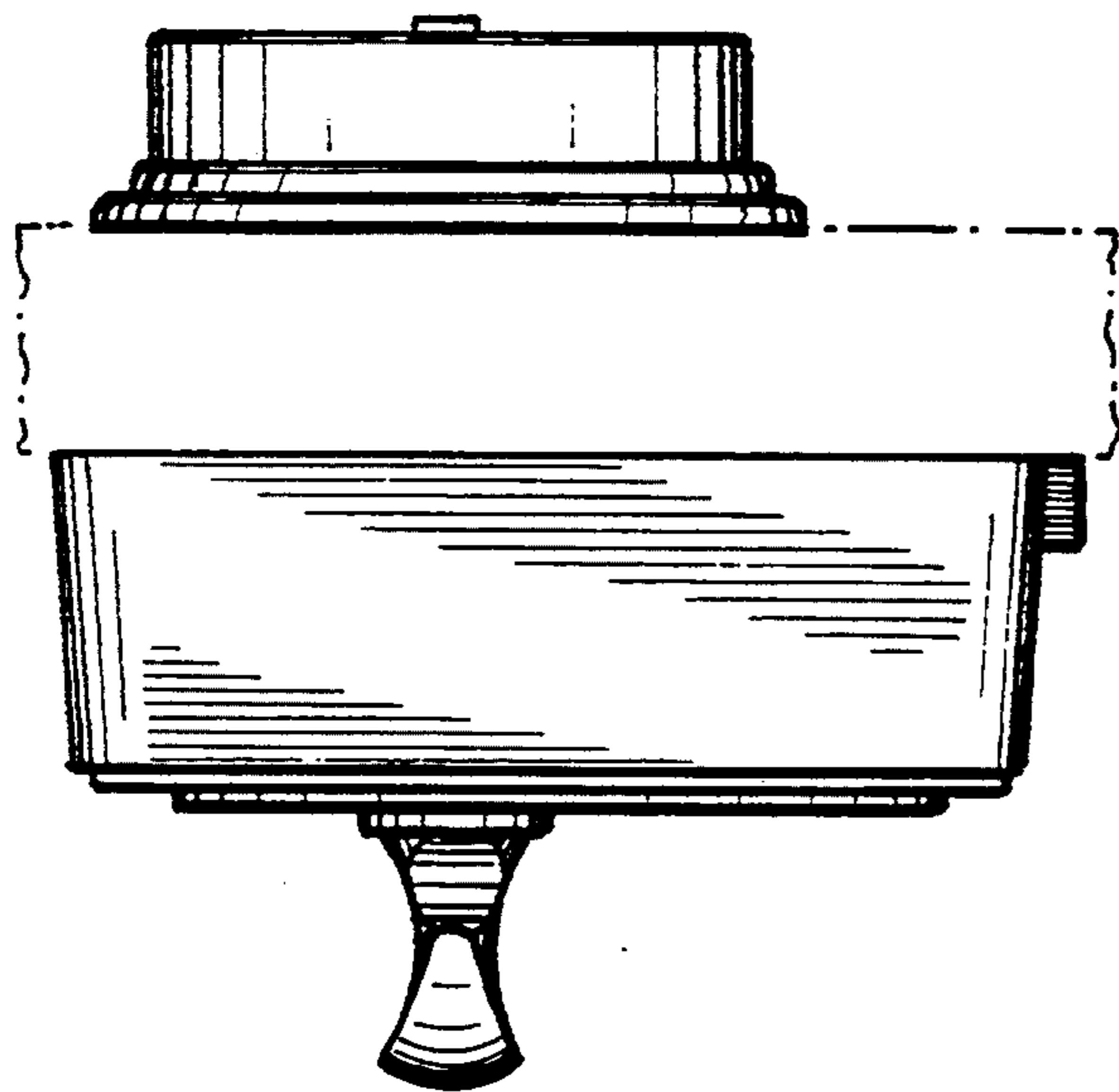


FIG. 6

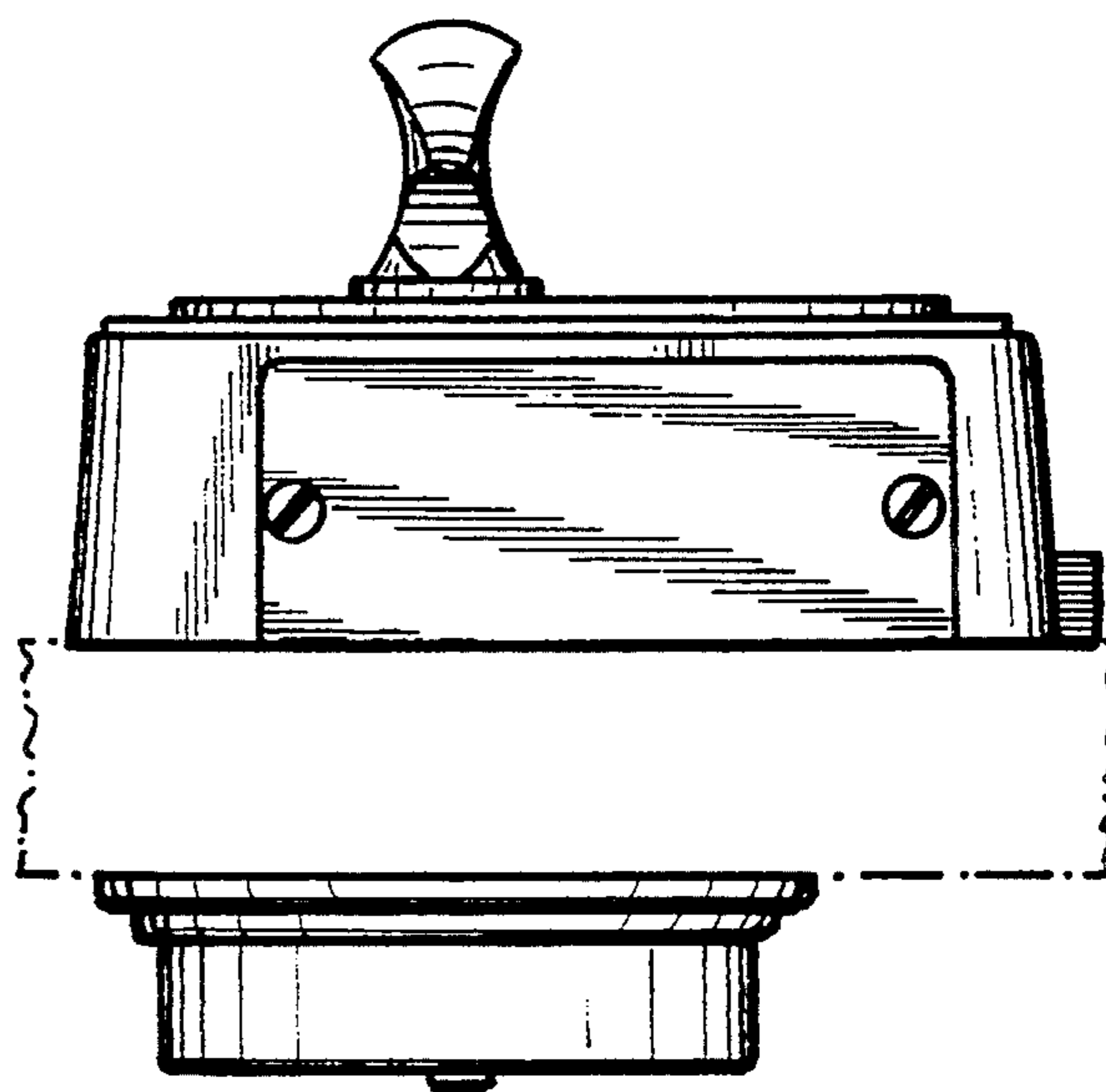


FIG. 7

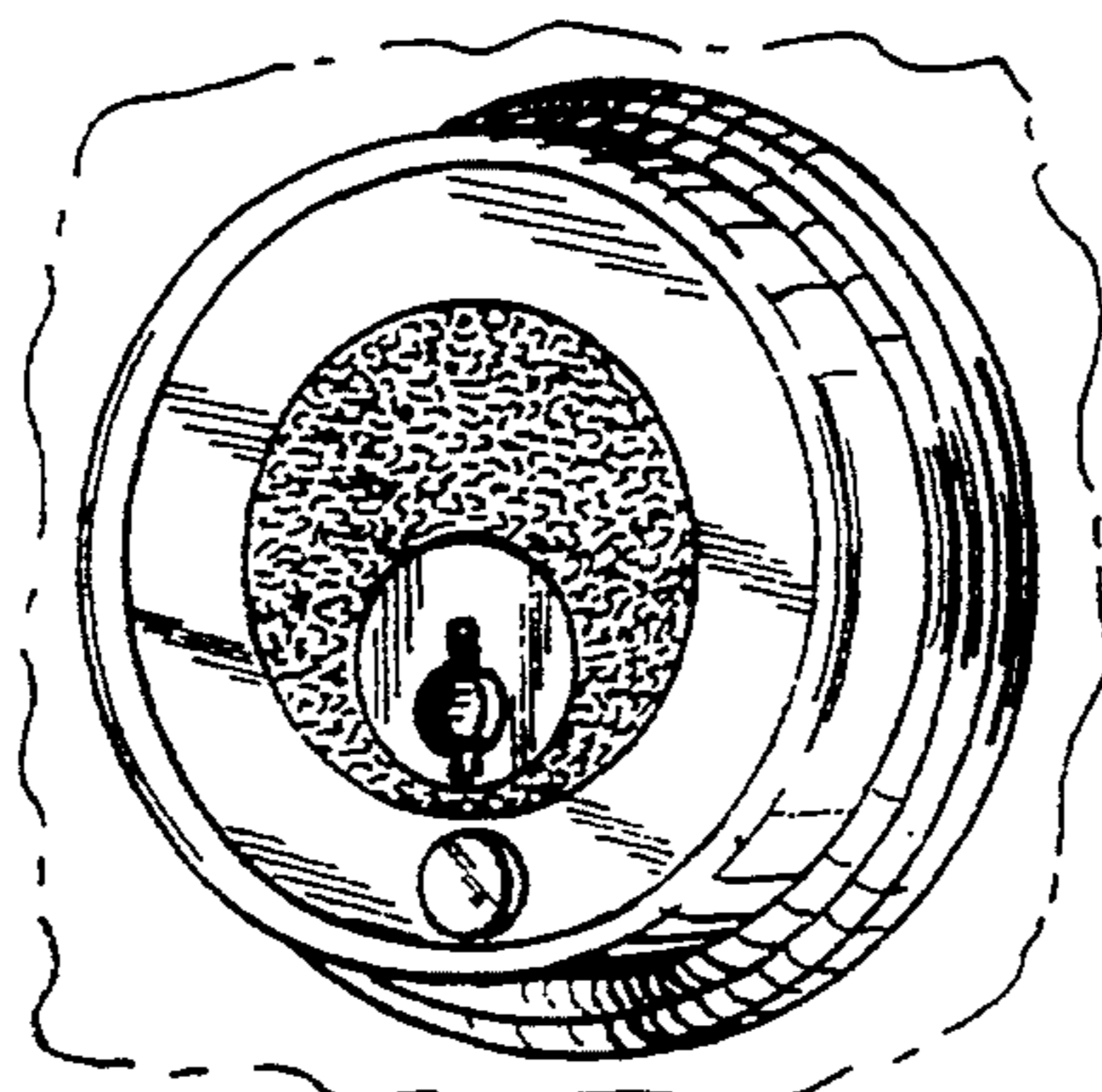


FIG. 8