



US00D352642S

United States Patent [19]

[11] Patent Number: **Des. 352,642**

Cole et al.

[45] Date of Patent: **** Nov. 22, 1994**

[54] SPATULA

[56] References Cited

[76] Inventors: **Lisa A. Cole; Gary A. Cole**, both of
508 W. Reynolds St., Plant City, Fla.
33566

U.S. PATENT DOCUMENTS

D. 302,776 8/1989 Hiscott et al. D7/692
1,969,162 8/1934 Smith 294/7 X
3,761,120 9/1973 Binkert D7/692 X

[**] Term: **14 Years**

Primary Examiner—Terry A. Wallace

[57] CLAIM

The ornamental design for a spatula, as shown and described.

[21] Appl. No.: **7,807**

DESCRIPTION

FIG. 1 is a front elevational view of the spatula showing my new design;

FIG. 2 is a rear elevational view thereof;

FIG. 3 is a left side elevational view thereof;

FIG. 4 is a right side elevational view thereof;

FIG. 5 is a top plan view thereof; and,

FIG. 6 is a bottom plan view thereof.

[22] Filed: **May 3, 1993**

[52] U.S. Cl. **D7/692**

[58] Field of Search **D7/688-692;**
294/7, 8; 15/236.01

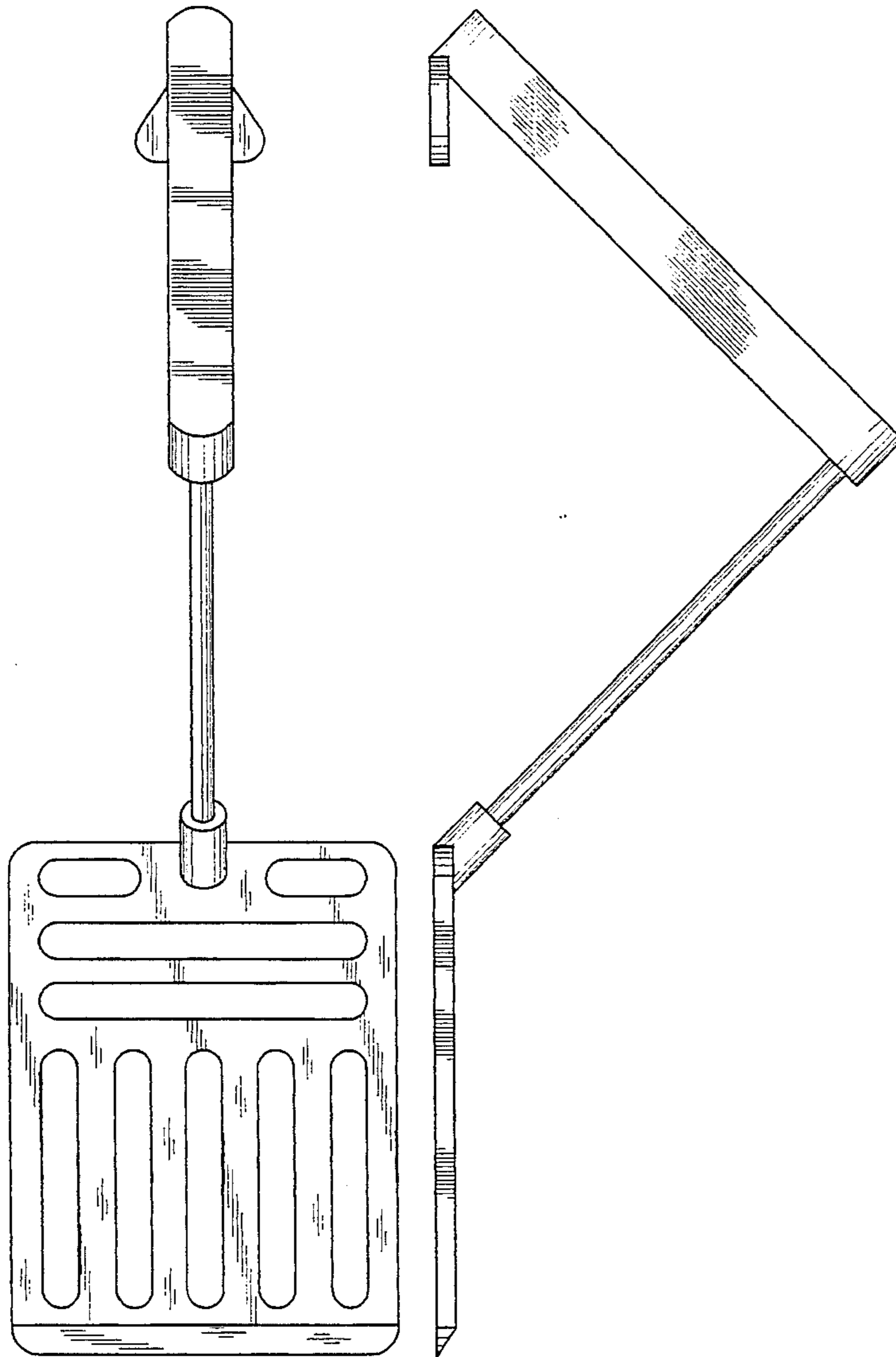


FIG. 1

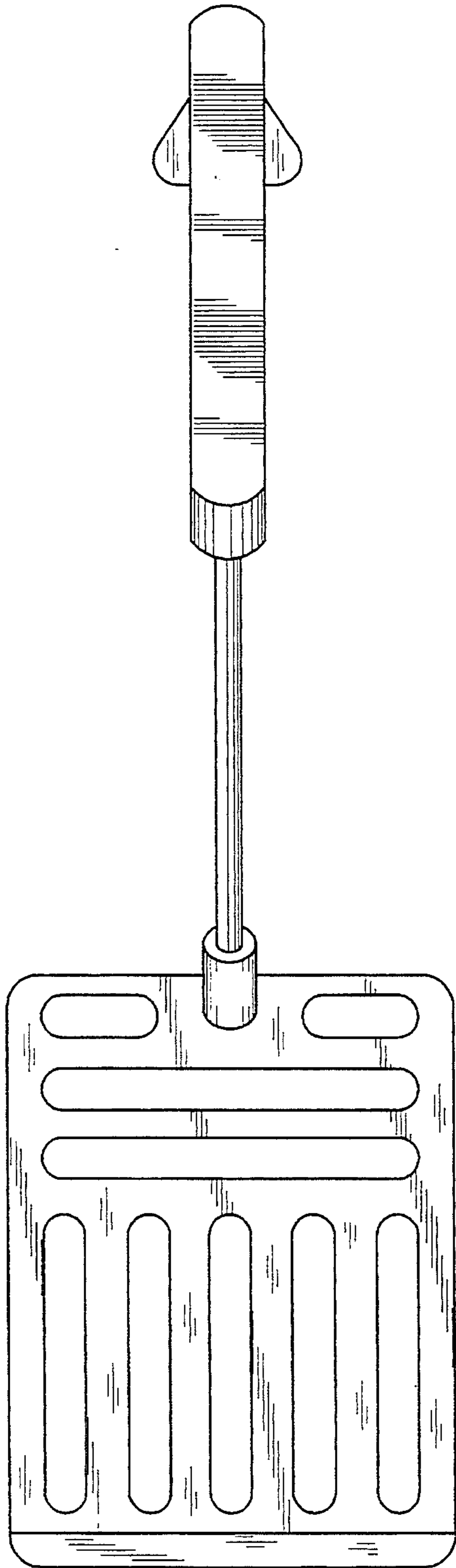


FIG. 2

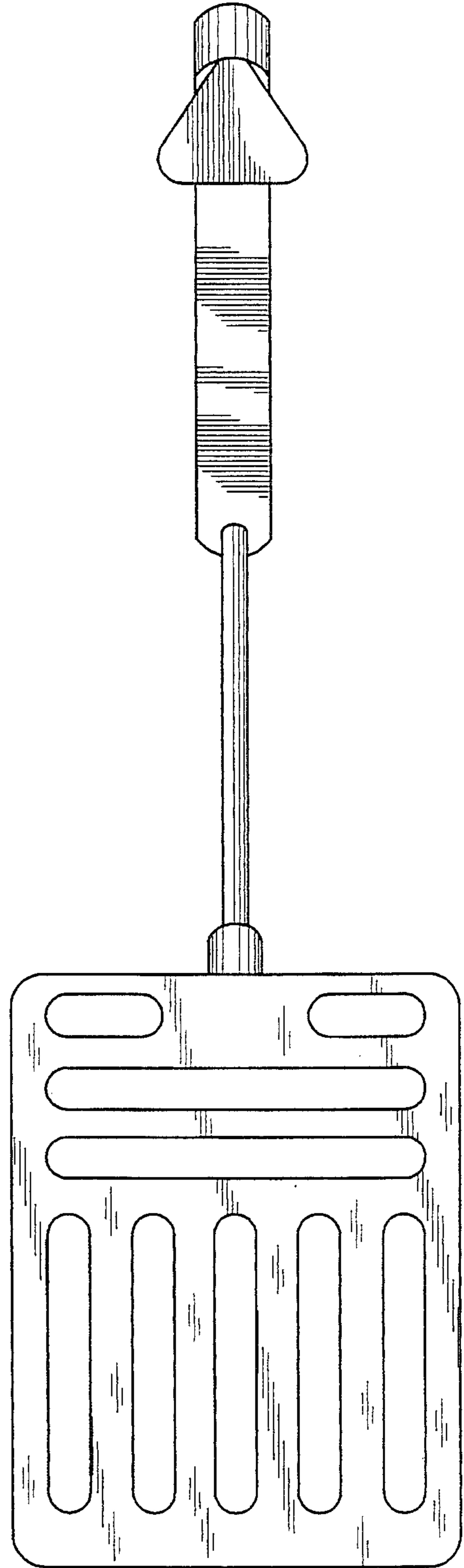


FIG. 3

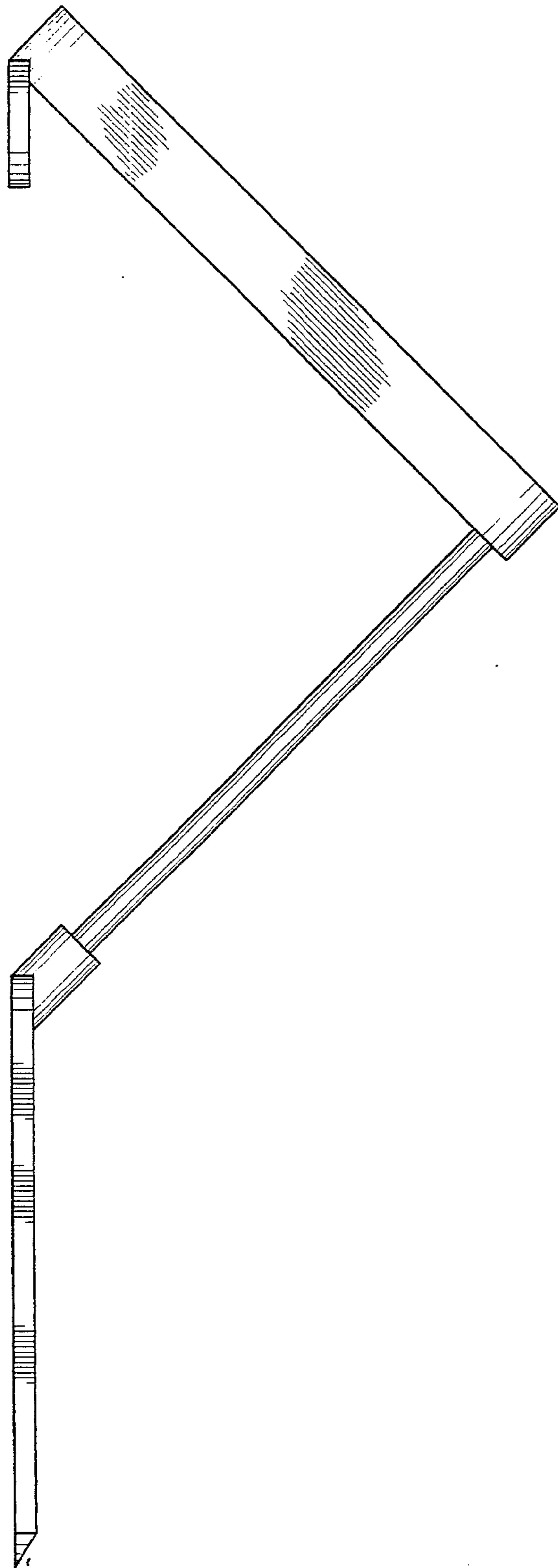


FIG. 4

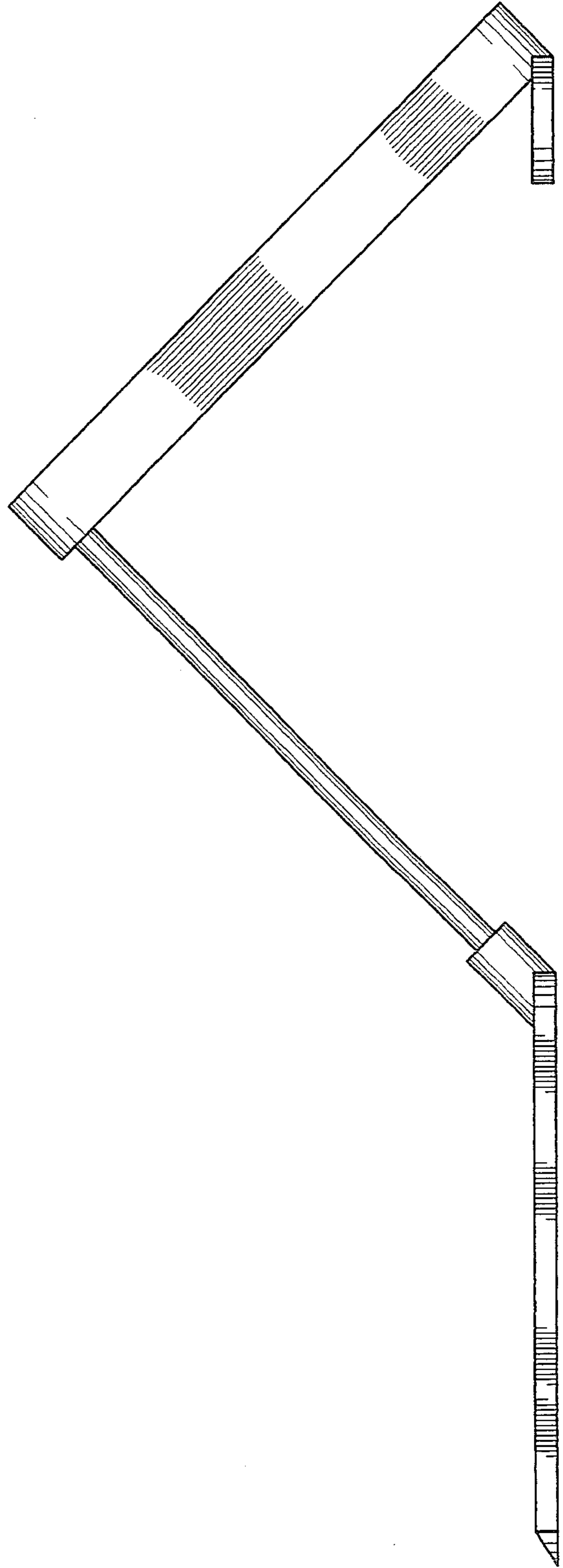


FIG. 5

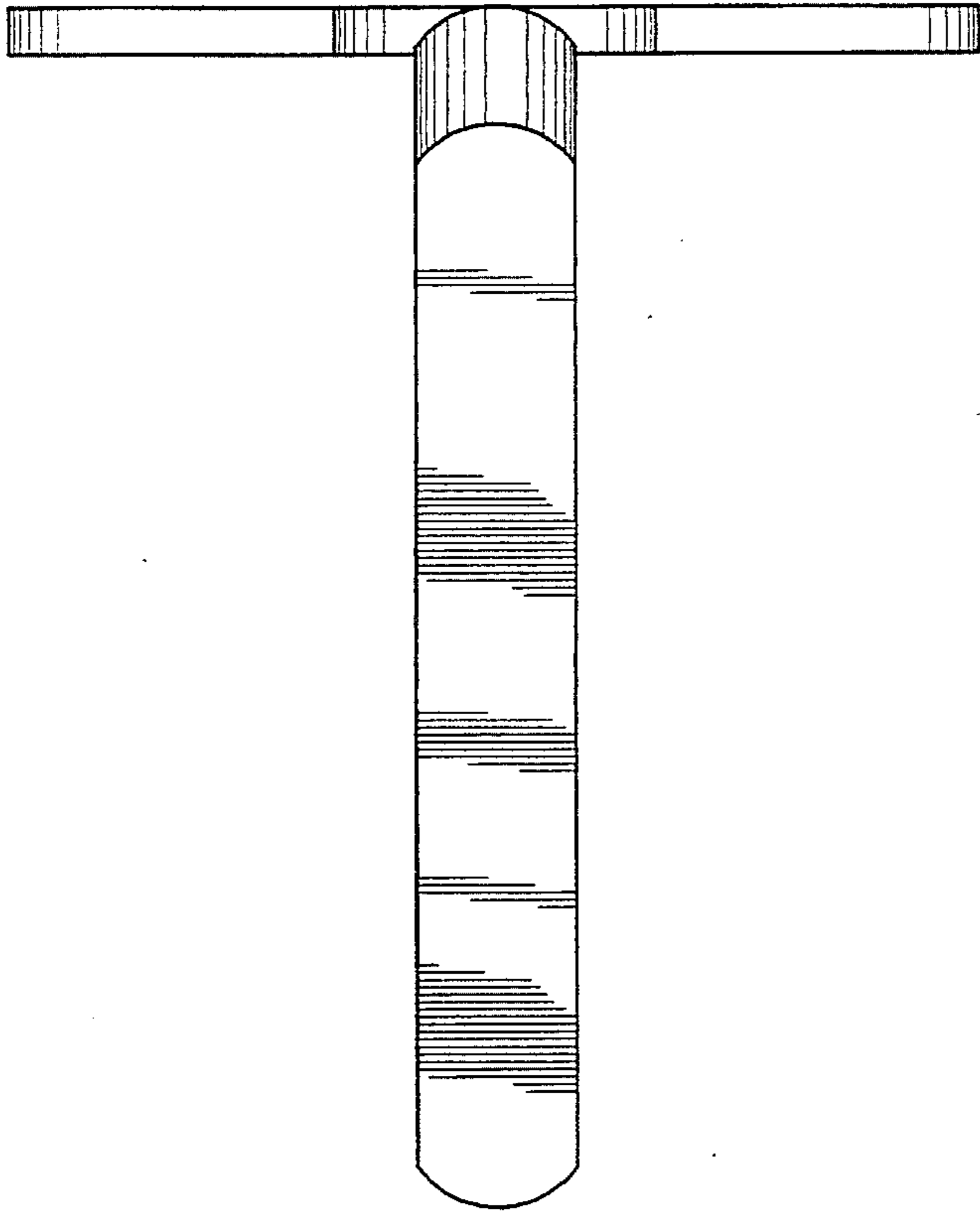


FIG. 6

