



US00D352635S

United States Patent [19]

[11] Patent Number: **Des. 352,635**

Yoder

[45] Date of Patent: **** Nov. 22, 1994**

[54] **COMBINED CUSHION AND COVER FOR A LOUNGE CHAIR**

[76] Inventor: **Stephanie L. Yoder**, 5 Hardwood St., Cumberland, Md. 21502

[**] Term: **14 Years**

[21] Appl. No.: **9,650**

[22] Filed: **Jun. 21, 1993**

[52] U.S. Cl. **D6/611; D6/382; D6/361**

[58] Field of Search **D6/334, 361, 353, 596, D6/498, 601; 5/652, 653, 655, 656, 657, 419, 111; 297/219.1, 224, 229, 188, 395, 397, 411.46, 403, 410, 408**

[56] **References Cited**

U.S. PATENT DOCUMENTS

D. 261,705	11/1981	Land et al.	D6/361
3,897,102	7/1975	Lemaire	D6/361 X
4,536,028	8/1985	Jones et al.	297/229 X

4,553,785	11/1985	Duke, Jr. et al.	297/229
4,891,854	1/1990	Finkelstein	D6/361 X
4,941,222	7/1990	Prager	5/111
5,154,477	10/1992	Lacy	297/410 X
5,177,823	1/1993	Riach	297/408 X

Primary Examiner—Janice E. Seeger
Attorney, Agent, or Firm—Rhodes & Ascolillo

[57] **CLAIM**

The ornamental design for a combined cushion and cover for a lounge chair, as shown and described.

DESCRIPTION

FIG. 1 is an exploded perspective view of a combined cushion and cover for a lounge chair showing my new design the broken lines are for environmental purposes only and form no part of the claimed design;

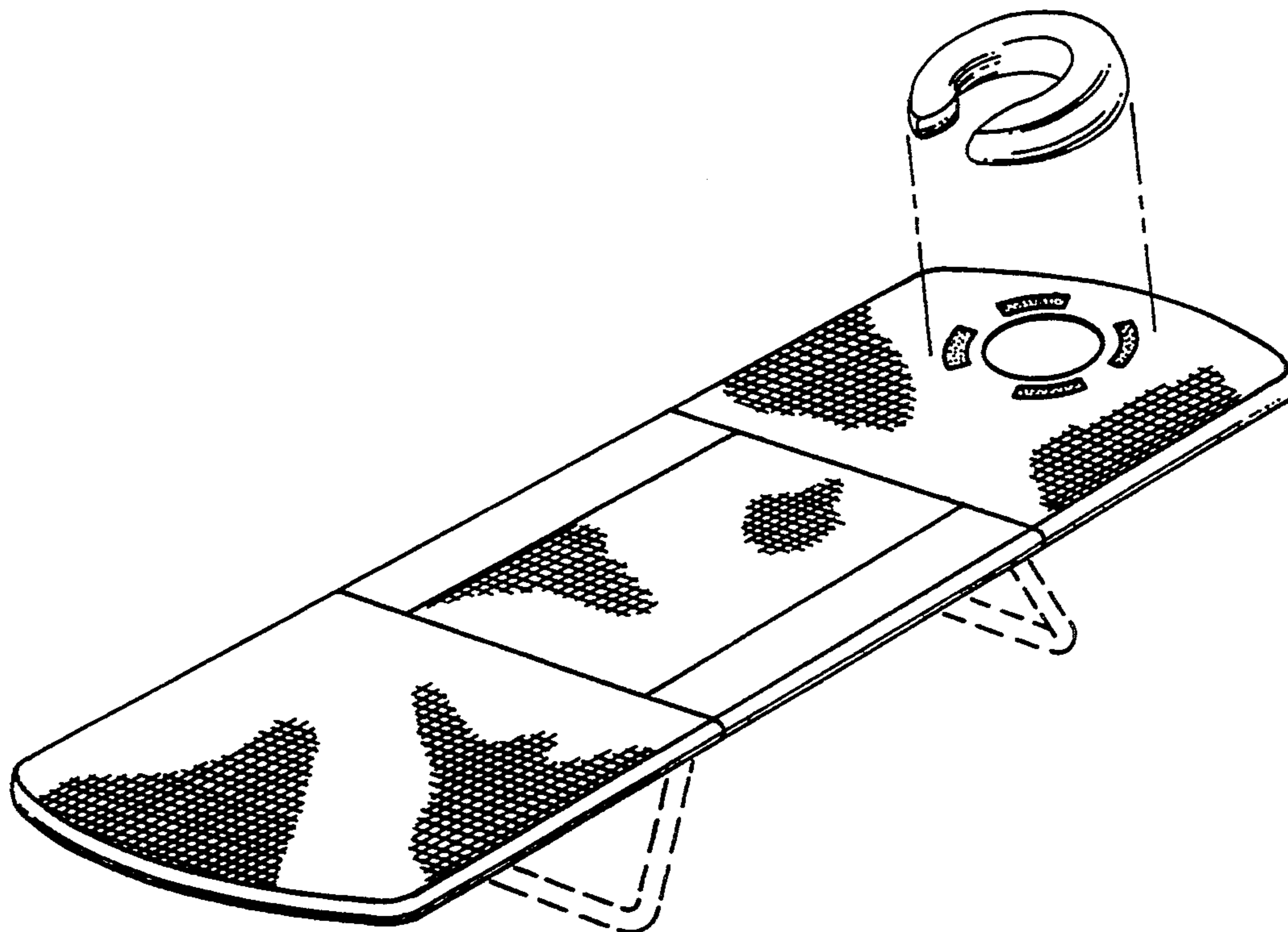
FIG. 2 is a top plan view;

FIG. 3 is a left side elevational view; the right side being a mirror image thereof;

FIG. 4 is a bottom plan view;

FIG. 5 is a front view; and,

FIG. 6 is a rear view.



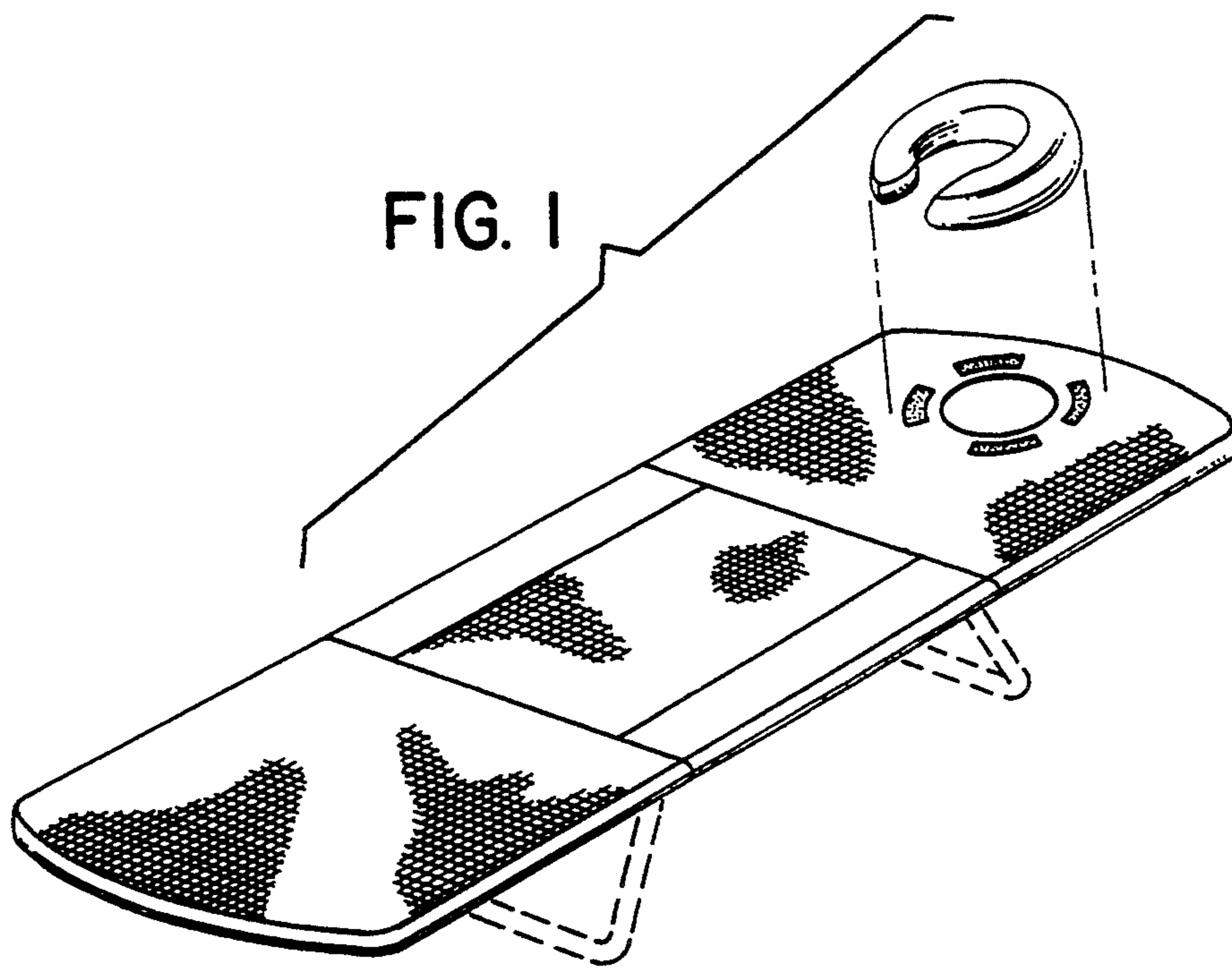


FIG. 2

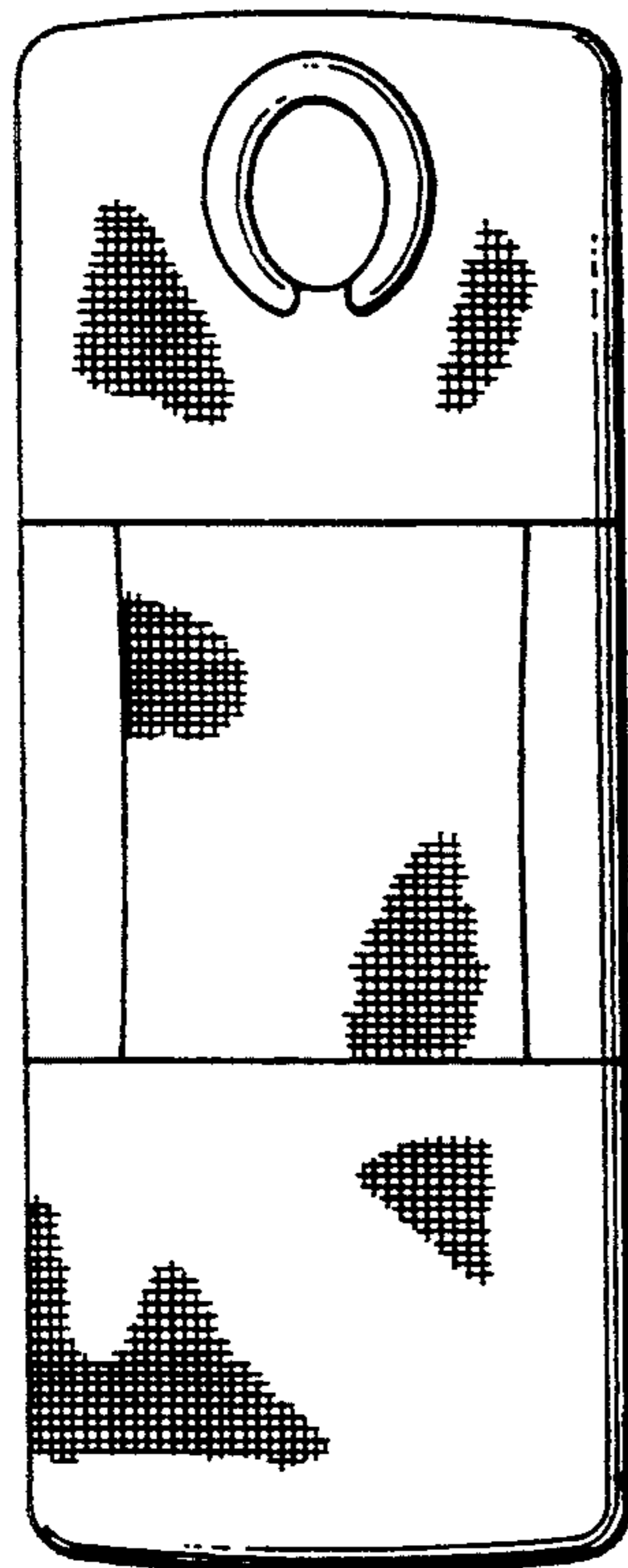


FIG. 3



FIG. 4

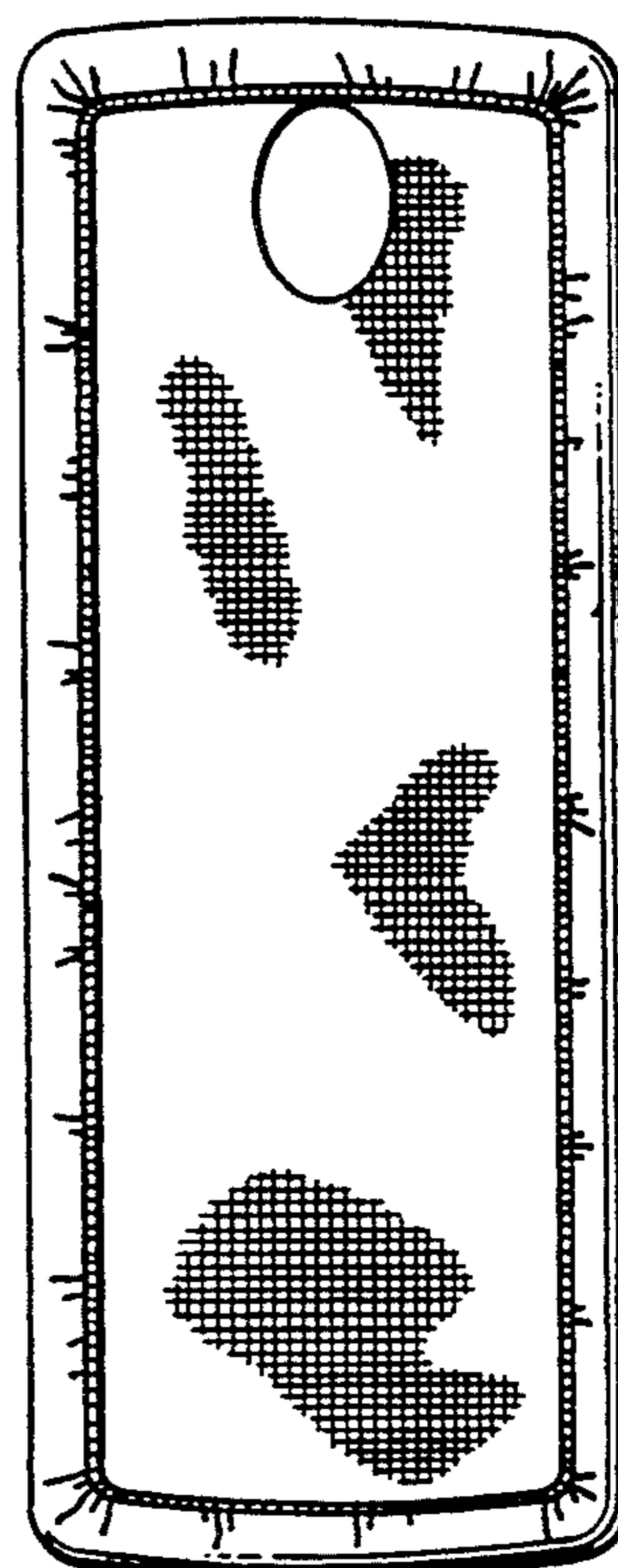


FIG. 5



FIG. 6

