



US00D352627S

United States Patent [19]

[11] Patent Number: **Des. 352,627**

Pire

[45] Date of Patent: **** Nov. 22, 1994**

[54] SAFETY GUN RACK

4,058,221 11/1977 Elkins .

[76] Inventor: **Wesley L. Pire**, 41 Bank, Bradford, Pa. 16701

4,624,372 11/1986 Brolin 211/64

4,998,944 3/1991 Lund 211/64 X

[**] Term: **14 Years**

Primary Examiner—Brian N. Vinson
Attorney, Agent, or Firm—Terry M. Gernstein

[21] Appl. No.: **6,924**

[57] **CLAIM**

[22] Filed: **Apr. 9, 1993**

The ornamental design for a safety gun rack, as shown and described.

[52] U.S. Cl. **D6/552**

[58] Field of Search D6/512, 552-553,
D6/567, 572, 573; 211/13, 60.1, 64, 86-87, 89;
248/309.1

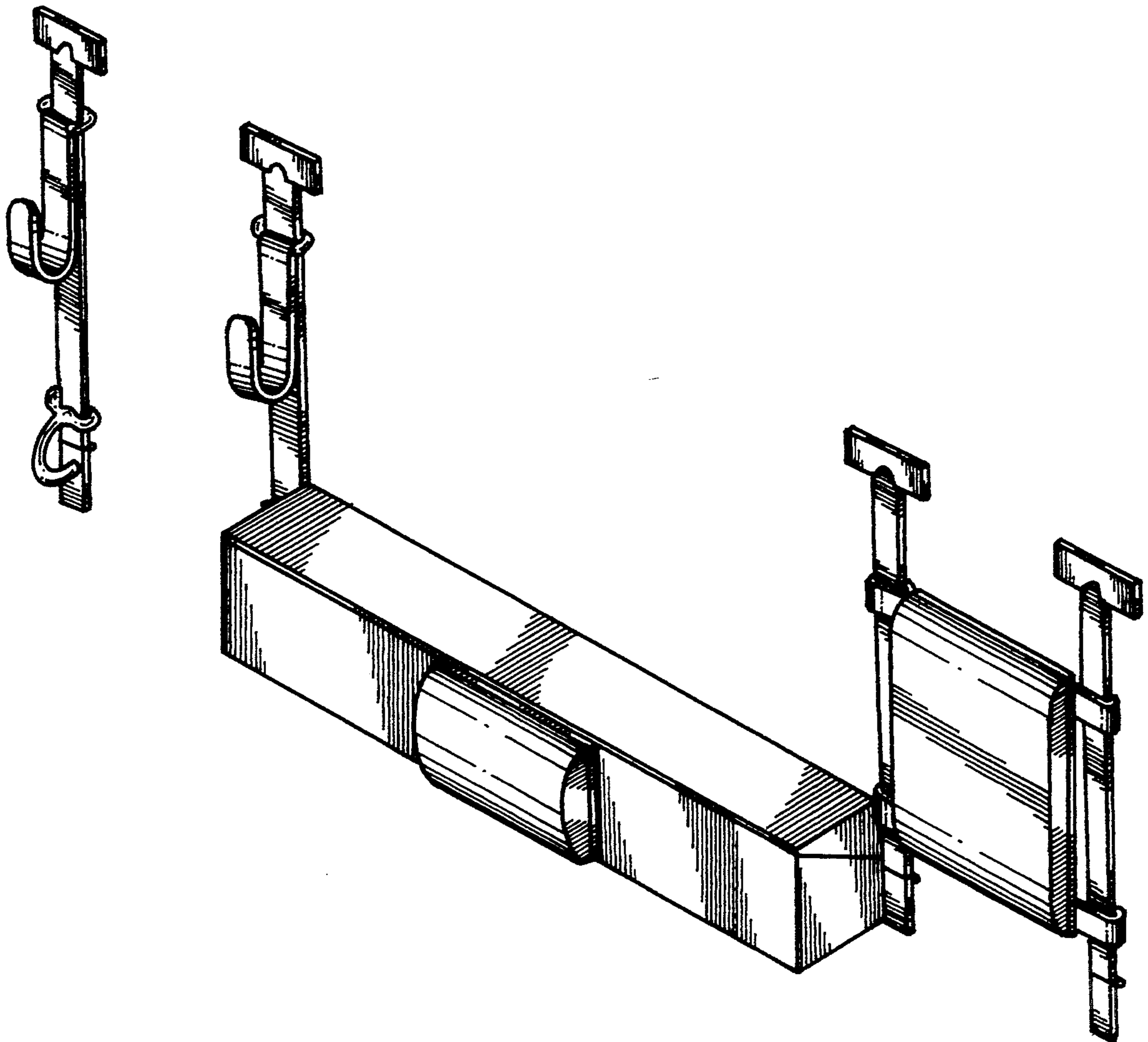
DESCRIPTION

FIG. 1 is a front, top and side perspective view of the safety gun rack showing my new design; FIG. 2 is a front elevational view thereof; FIG. 3 is a rear elevational view thereof; FIG. 4 is a left side elevational view thereof; FIG. 5 is a right side elevational view thereof; FIG. 6 is a top plan view thereof; and, FIG. 7 is a bottom plan view thereof.

[56] References Cited

U.S. PATENT DOCUMENTS

D. 276,197	11/1984	Padgett	D6/552
D. 335,233	5/1993	Long	D6/552
D. 345,273	3/1994	Horn	D6/552
3,931,893	1/1976	Elkins .	



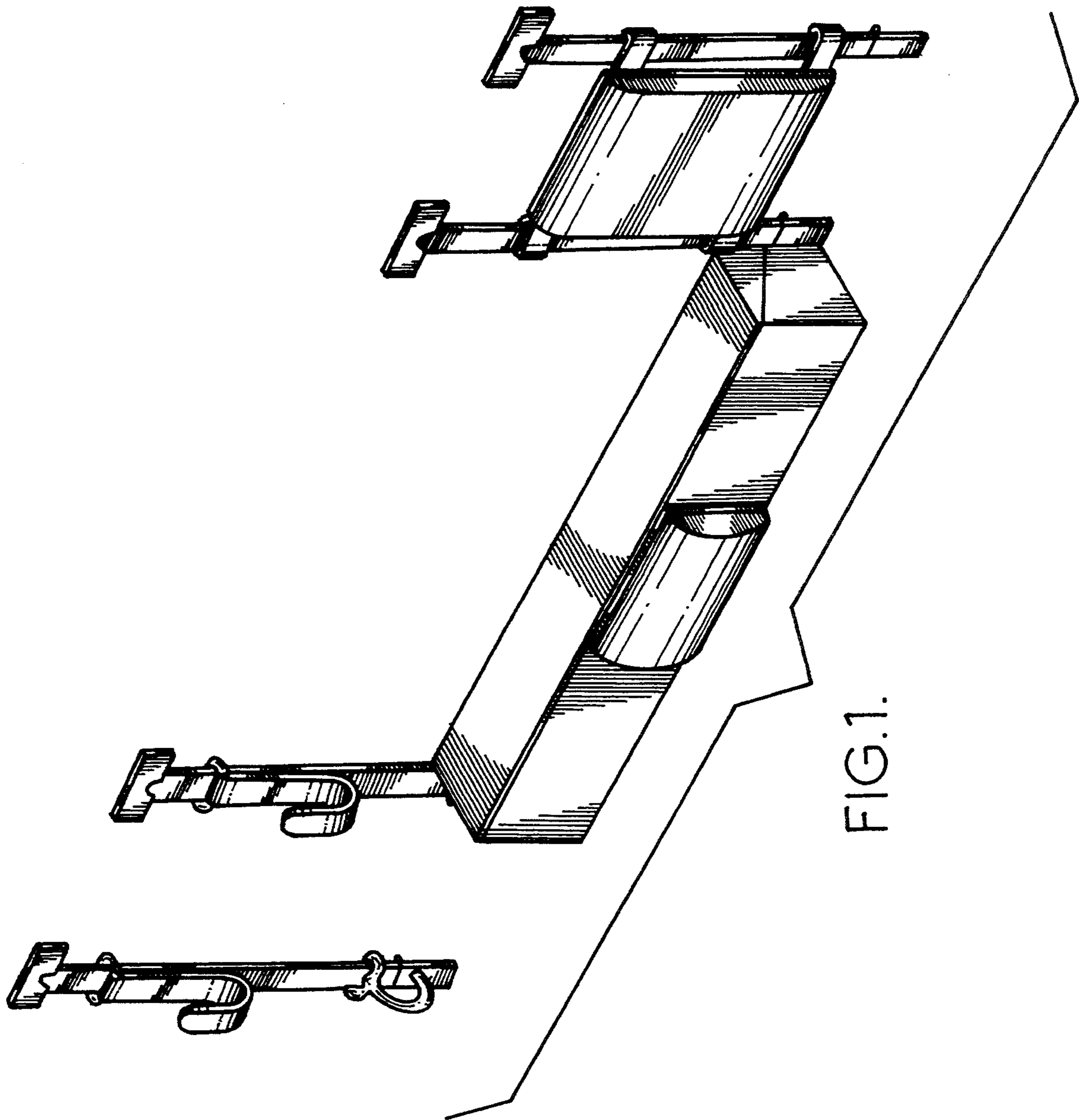


FIG. 2.

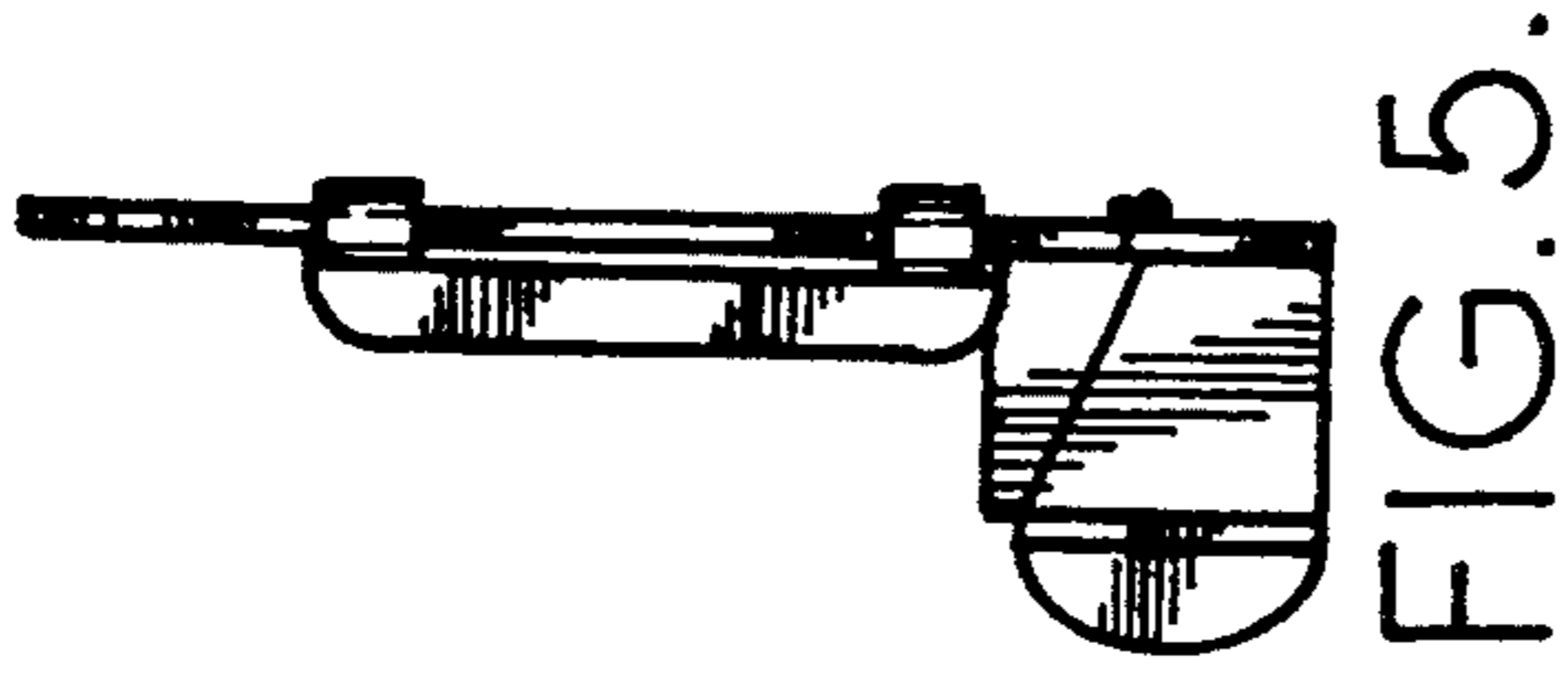
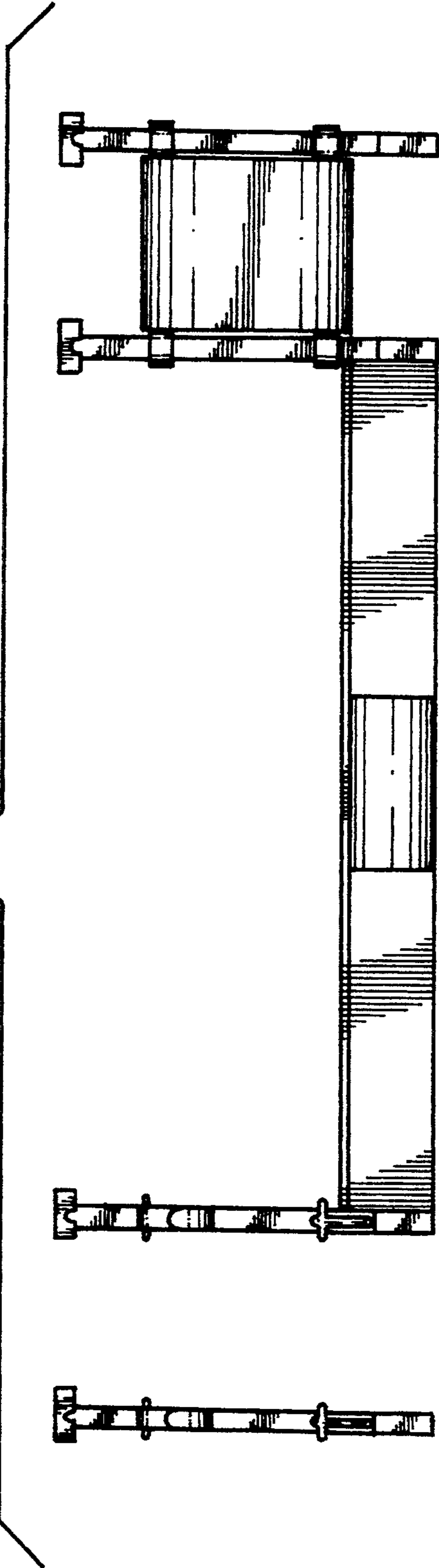


FIG. 5.

FIG. 6.

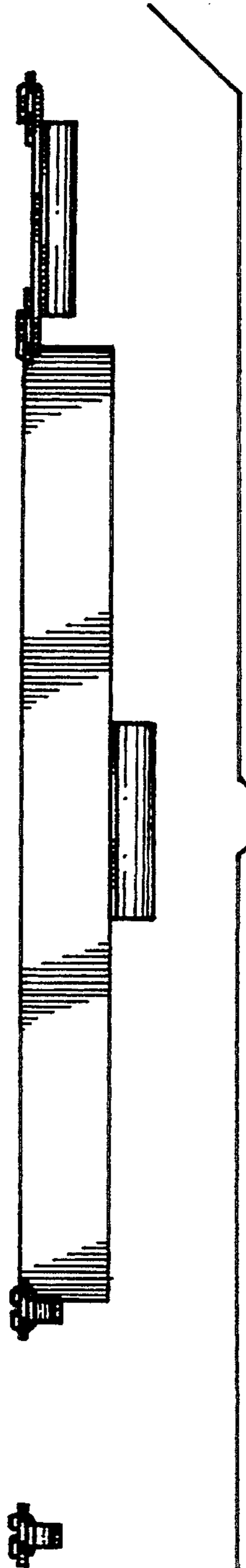


FIG. 3.

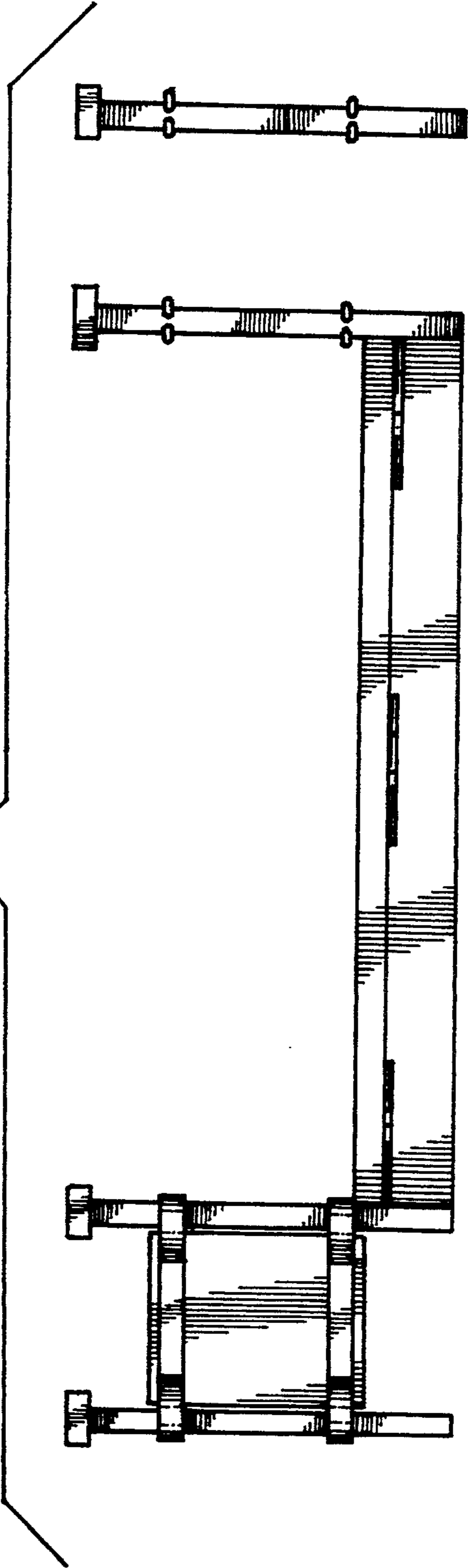


FIG. 4.

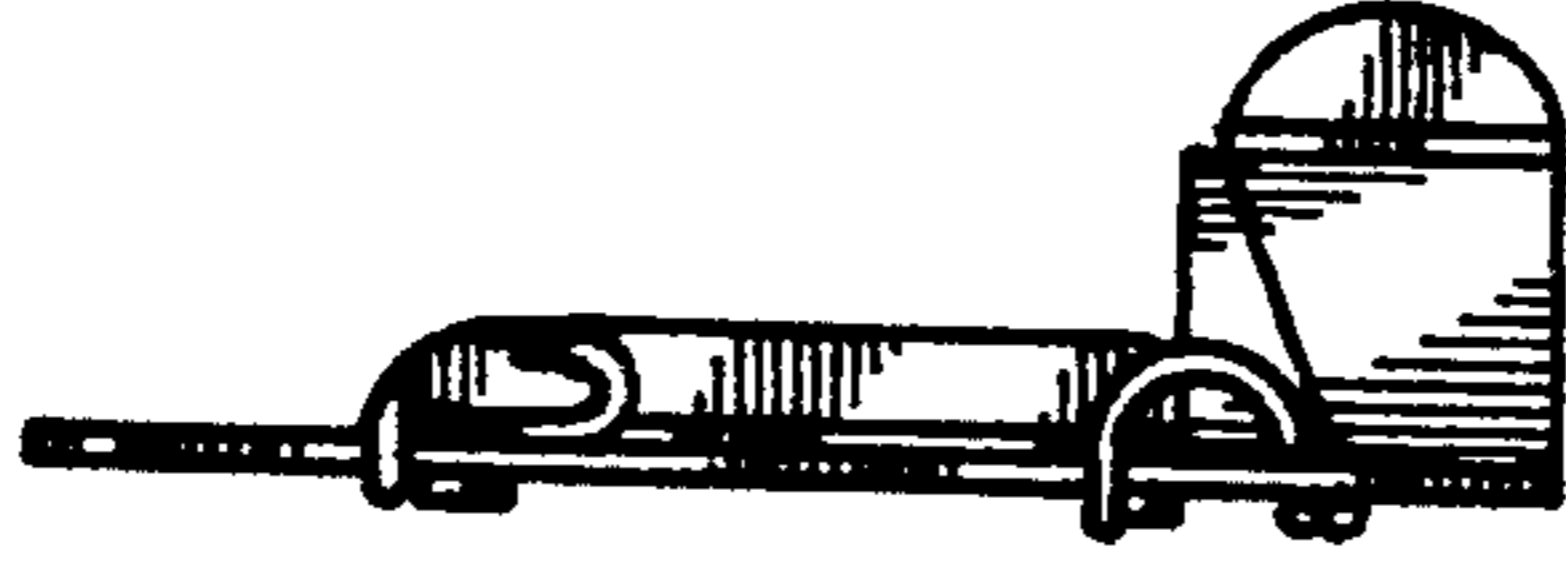


FIG. 7.

